



US00D971663S

(12) **United States Design Patent** (10) **Patent No.:** **US D971,663 S**
Hepe (45) **Date of Patent:** **** Dec. 6, 2022**

(54) **EXTRACTABLE KITCHEN OF A MOTOR HOME**

D516,856 S * 3/2006 Langhammer D7/347
D870,505 S * 12/2019 Chevalier D7/346
D871,824 S * 1/2020 Chevalier D7/346
D914,432 S * 3/2021 Bennett D7/337

(71) Applicant: **Hymer GmbH & Co. KG**, Bad Waldsee (DE)

(72) Inventor: **Dominik Hepe**, Ravensburg (DE)

(**) Term: **15 Years**

(21) Appl. No.: **35/511,083**

(22) Filed: **Aug. 15, 2020**

(80) **Hague Agreement Data**

Int. Filing Date: **Aug. 15, 2020**

Int. Reg. No.: **DM/211898**

Int. Reg. Date: **Aug. 15, 2020**

Int. Reg. Pub. Date: **Jan. 1, 2021**

(51) **LOC (13) Cl.** **07-02**

(52) **U.S. Cl.**
USPC **D7/347**

(58) **Field of Classification Search**
USPC D7/337, 346, 339, 362, 363
CPC F24C 1/16
See application file for complete search history.

(56) **References Cited**

U.S. PATENT DOCUMENTS

2,907,316 A * 10/1959 Windust F24C 1/16
126/9 B
D514,871 S * 2/2006 May D7/337

OTHER PUBLICATIONS

<https://vanliving101.com/2021/05/14/campoer-van-slid-out-kitchen-unit-instant-pull-out-galley/>[Jan. 13, 2022 Website, author unknown. (Year: 2021).*

* cited by examiner

Primary Examiner — George D. Kirschbaum

(57) **CLAIM**

The ornamental design for an extractable kitchen of a motor home, as shown and described.

DESCRIPTION

1.1 is a front perspective view.

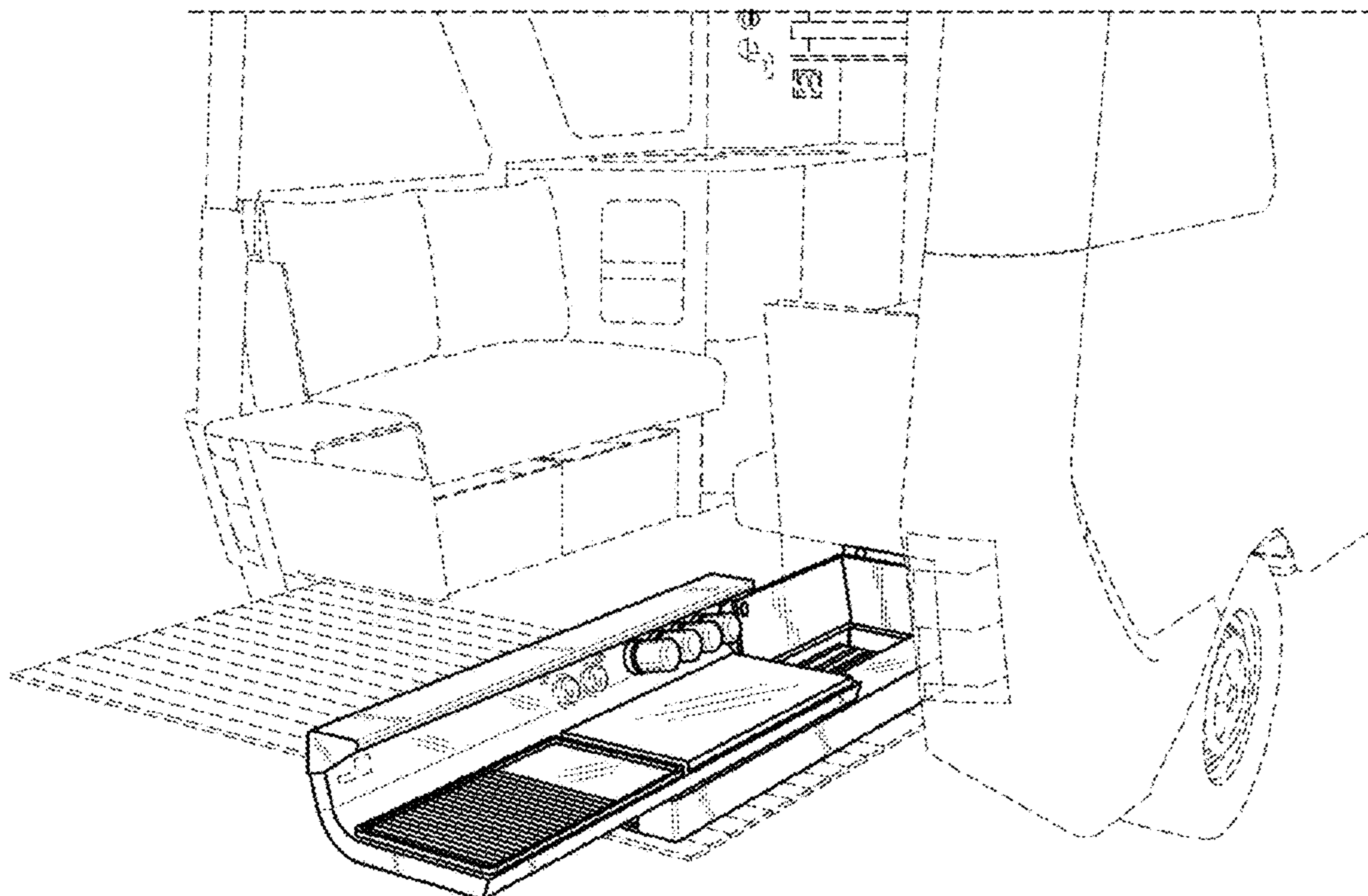
1.2 is a front view.

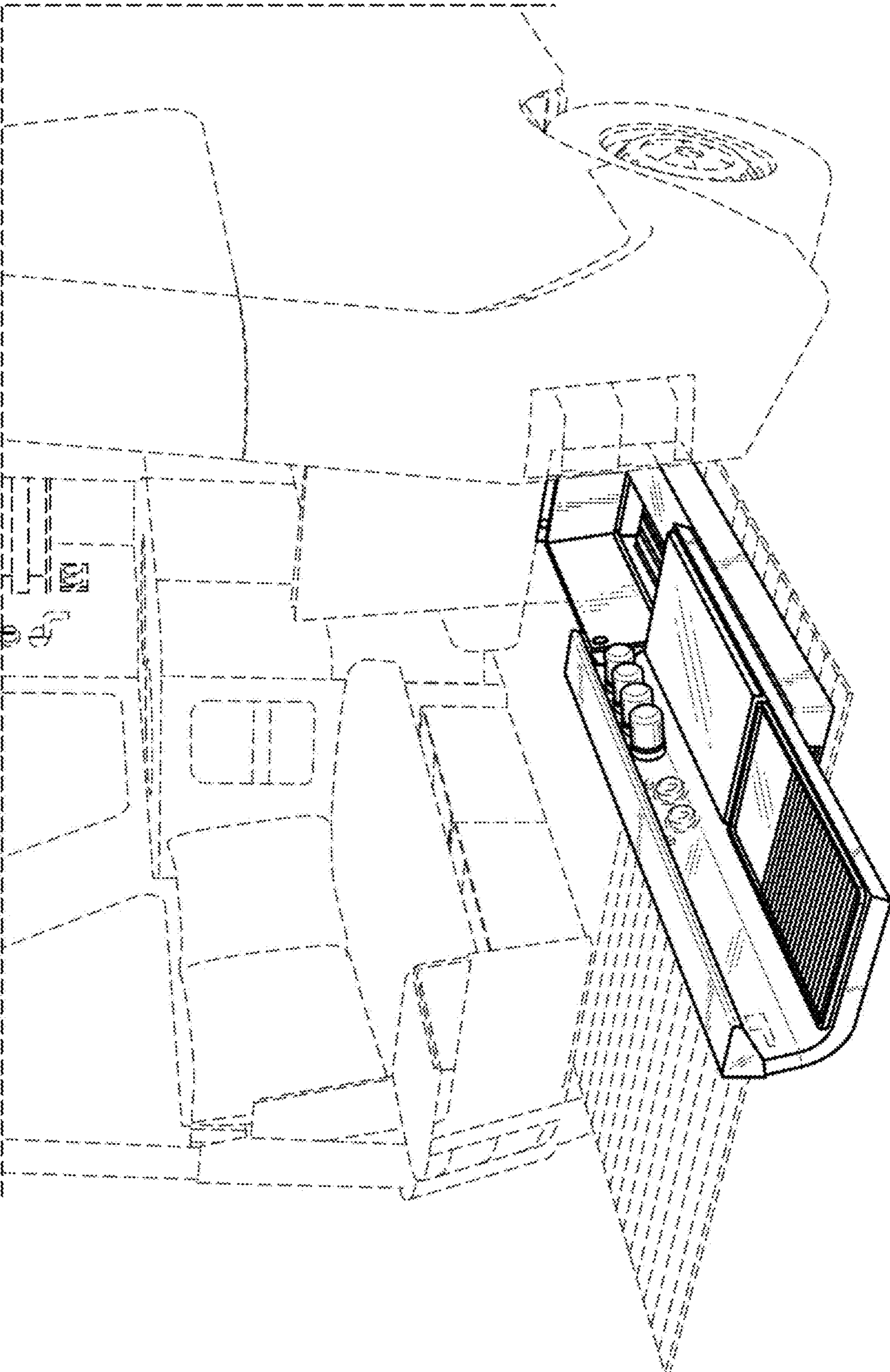
1.3 is a top view.

1.4 is a left side view.

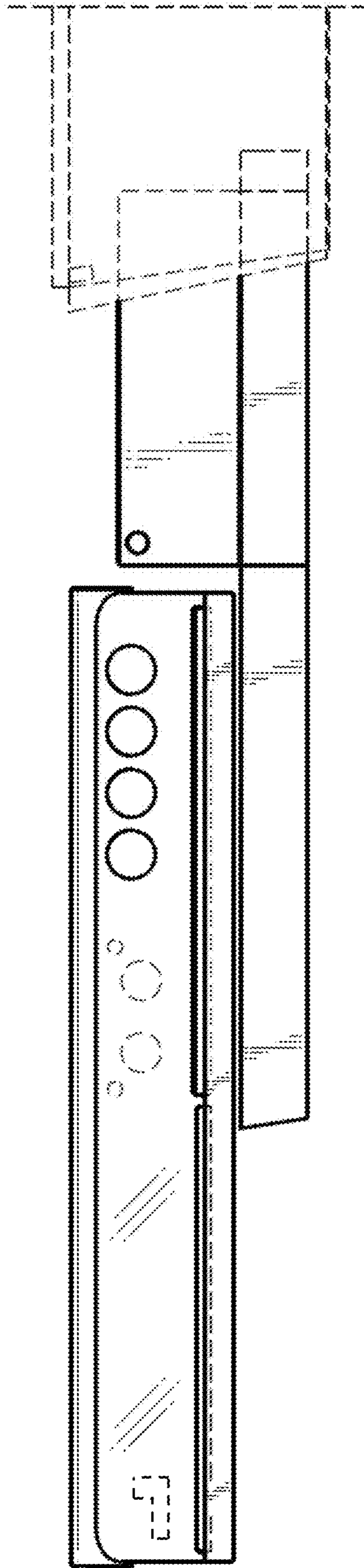
The broken line showing of a motor home is included for the purpose of illustrating portions of the “article” and forms no part of the claimed design.

1 Claim, 4 Drawing Sheets

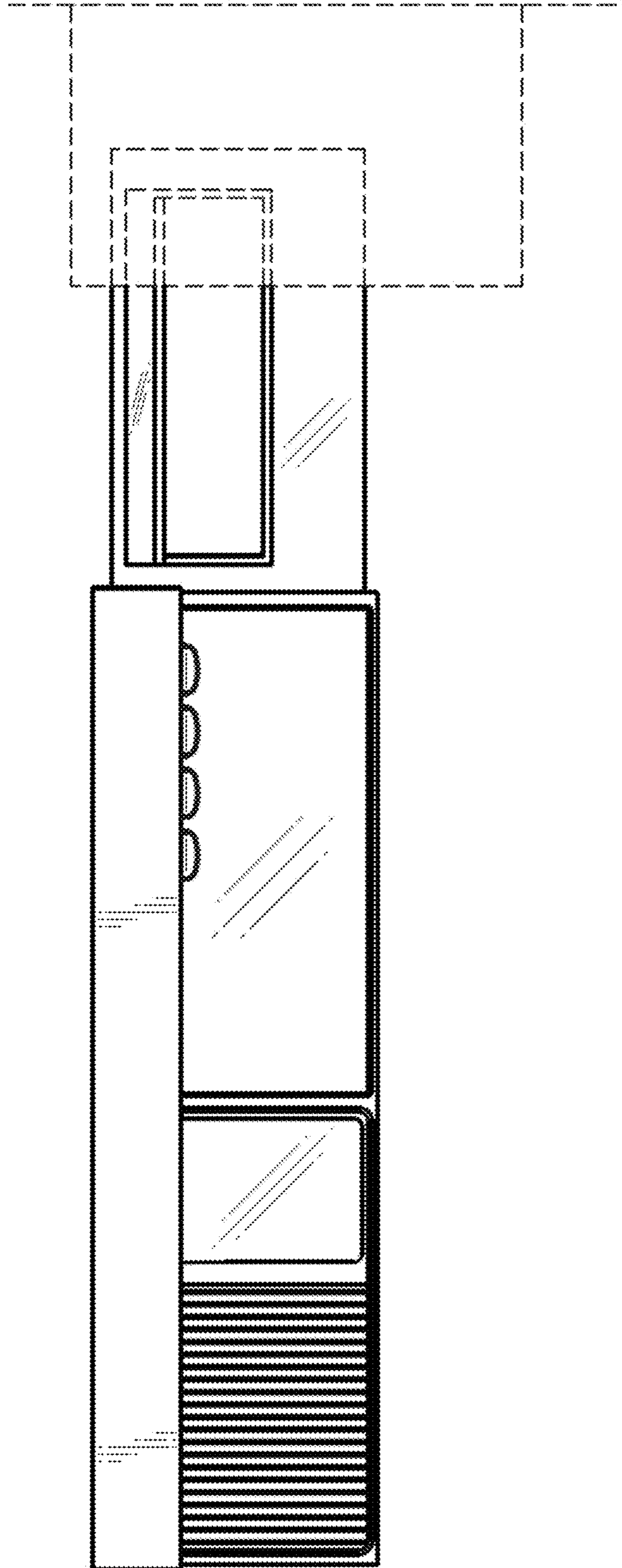




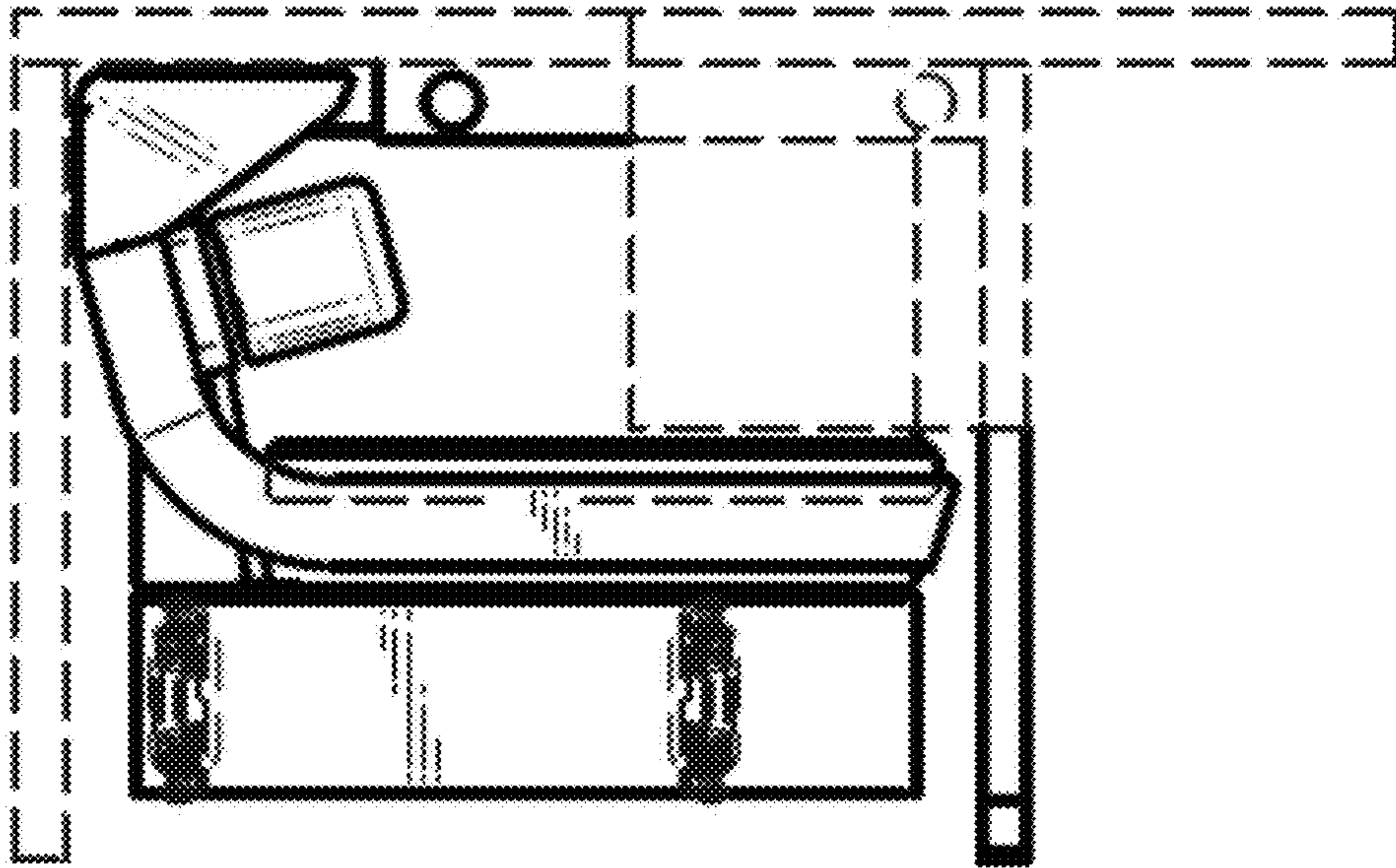
1.1



1.2



1.3



1.4