



US00D971662S

(12) **United States Design Patent** (10) **Patent No.:** **US D971,662 S**  
**Wu** (45) **Date of Patent:** **\*\* Dec. 6, 2022**

(54) **PIZZA OVEN**  
(71) Applicant: **Yongjie Wu**, Fenghua (CN)  
(72) Inventor: **Yongjie Wu**, Fenghua (CN)  
(73) Assignee: **FOSHAN KINGS UNION INTERNATIONAL CO., LTD.**, Guangdong (CN)  
(\*\*) Term: **15 Years**  
(21) Appl. No.: **29/840,592**  
(22) Filed: **May 31, 2022**  
(51) **LOC (13) Cl.** ..... **07-02**  
(52) **U.S. Cl.**  
USPC ..... **D7/337; D7/339; D7/348**  
(58) **Field of Classification Search**  
USPC ..... D7/323, 327, 332, 334-337, 338, 339, D7/347-348, 350.1, 350.2, 367; D23/342, 343, 348-350  
CPC . A47J 37/0623; A47J 37/0664; A47J 37/0658  
See application file for complete search history.

(56) **References Cited**

**U.S. PATENT DOCUMENTS**

D251,385 S \* 3/1979 Zimmer ..... D23/343  
D693,166 S 11/2013 Measom  
D775,489 S \* 1/2017 Zemel ..... D7/332  
D845,055 S \* 4/2019 Goodwin ..... D7/323  
D845,695 S \* 4/2019 Wu ..... D7/334  
D849,908 S \* 5/2019 Wu ..... D23/343  
D862,969 S \* 10/2019 Tapaninaho ..... D7/339  
D887,767 S \* 6/2020 Huang ..... D7/323  
D909,551 S \* 2/2021 Wu ..... D23/342  
D925,962 S \* 7/2021 Tapaninaho ..... D7/332

2015/0047512 A1\* 2/2015 Marra ..... A47J 37/0658  
99/339  
2018/0213973 A1\* 8/2018 Tapaninaho ..... A47J 37/0658  
2022/0192421 A1\* 6/2022 Bert ..... A47J 37/0658

**OTHER PUBLICATIONS**

Future Gadgets, 6 Best Pizza Ovens in 2021, Apr. 4, 2020, Youtube, <https://www.youtube.com/watch?v=yEbCRpM3PnQ> (Year: 2020).\*  
Pellethead, Smokin' PoBoy Portable Outdoor Wood Fired Pizza Oven, Apr. 12, 2021, Amazon, <https://www.amazon.com/Pellethead-Smokin-Charcoal-Pellet-Pizza/dp/B0929CWM7T> (Year: 2021).\*  
Bertello, Outdoor Pizza Oven, Jun. 14, 2020, Amazon, <https://www.amazon.com/Bertello-Outdoor-Pizza-Black-Combo/dp/B08B5HZ3CN> (Year: 2020).\*  
Big Horn Outdoors, Pizza Ovens Wood Pellet, 2021, Amazon, <https://www.amazon.com/BIG-HORN-OUTDOORS-Portable-Stainless/dp/B08T9HMMWC> (Year: 2021).\*

(Continued)

*Primary Examiner* — Brett Miller  
(74) *Attorney, Agent, or Firm* — Justin Lampel

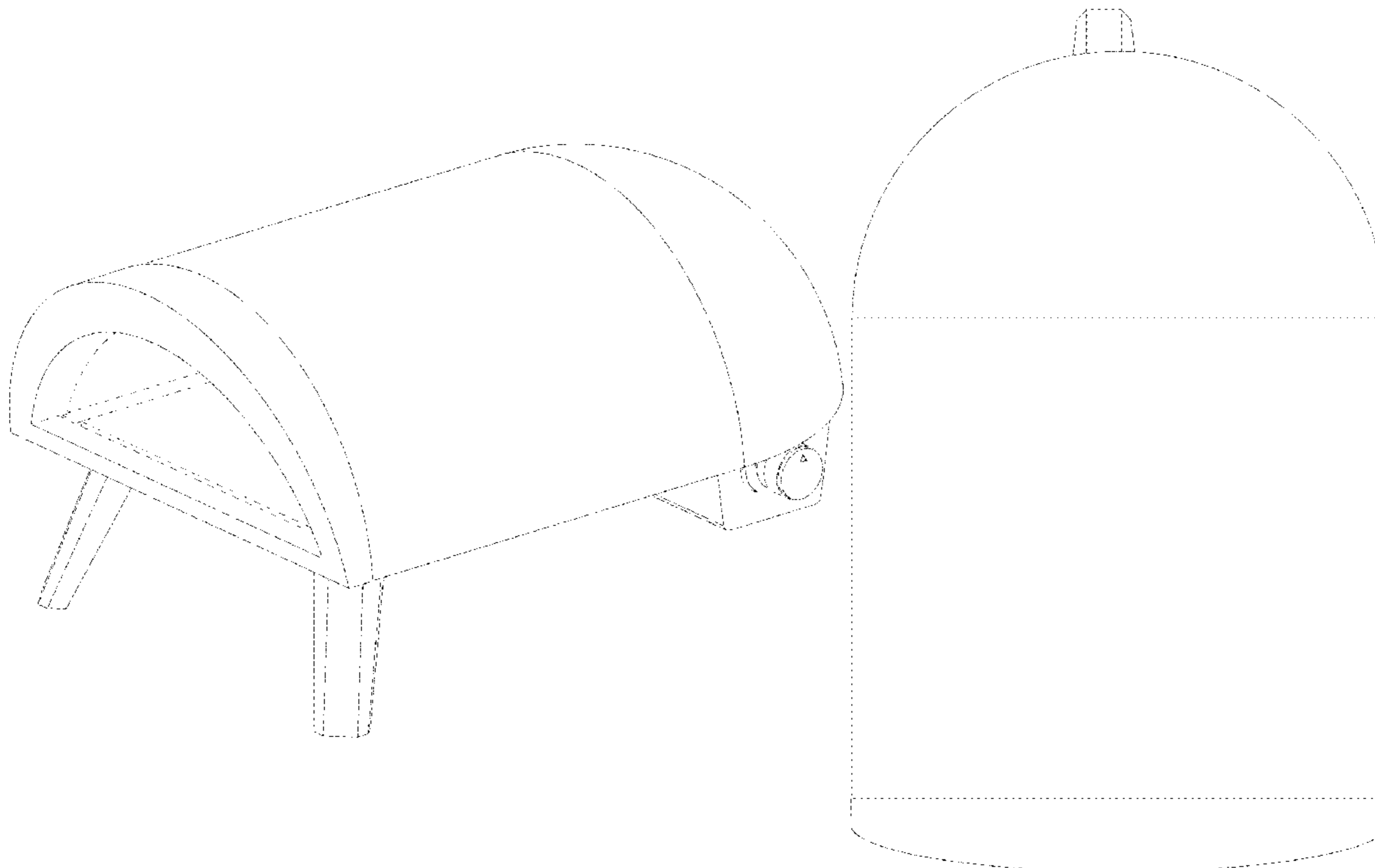
(57) **CLAIM**

The ornamental design for a pizza oven, as shown and described.

**DESCRIPTION**

FIG. 1 is a perspective view of a pizza oven showing the claimed design;  
FIG. 2 is a top plan view thereof;  
FIG. 3 is a rear elevational view thereof;  
FIG. 4 is a left side view thereof;  
FIG. 5 is a front elevational view thereof;  
FIG. 6 is a right side view thereof; and,  
FIG. 7 is a bottom plan view thereof.  
The broken lines illustrate portions of the pizza oven that form no part of the claimed design.

**1 Claim, 7 Drawing Sheets**



(56)

**References Cited**

OTHER PUBLICATIONS

Bakebros, Outdoor Pizza Oven, Jun. 30, 2021, Amazon, <https://www.amazon.com/Food-Party-Portable-Gas-Fired-Thermometer/dp/B0989VK3X1> (Year: 2021).\*

Mimiuo, Outdoor Gas Pizza Ovens, Nov. 21, 2020, Amazon, <https://www.amazon.com/only-fire-Mimiuo-Portable-Foldable/dp/B08CDHLG3Q> (Year: 2020).\*

Deco Chef, Outdoor Pizza Oven, May 12, 2021, Amazon, [https://www.amazon.com/dp/B08GGP7KN6?pd\\_rd\\_i=B08GGP7KN6](https://www.amazon.com/dp/B08GGP7KN6?pd_rd_i=B08GGP7KN6) (Year: 2021).\*

Foreign Registrations and Patents for Pizza Ovens, Apr. 18, 2022 and earlier, Questel Orbit, <https://www.orbit.com/export/QPTUJ458/pdf/4af9d295-b97b-4e32-8c8a-a23990b2cfe8-190234.pdf> (Year: 2022).\*

\* cited by examiner

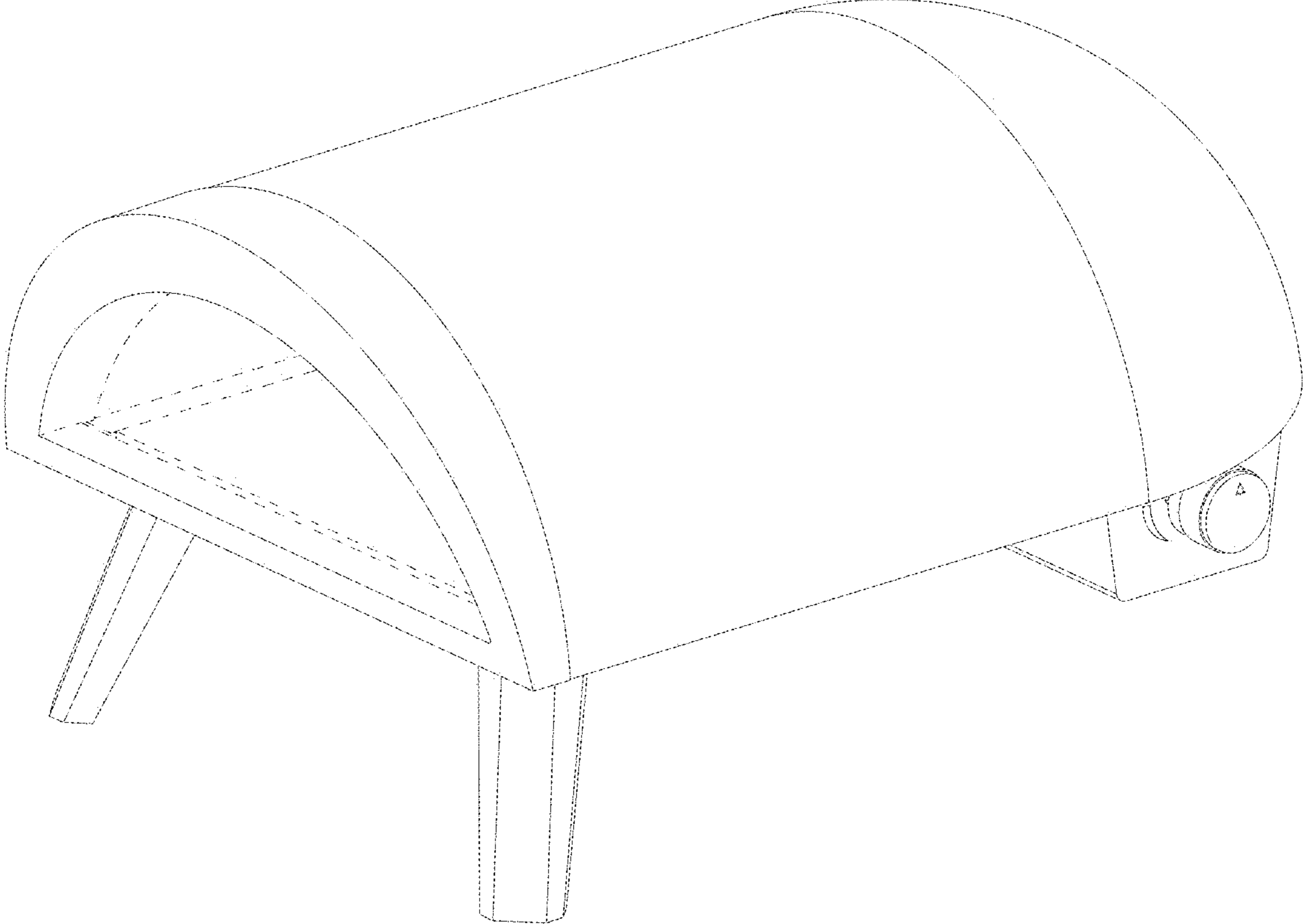


FIG.1

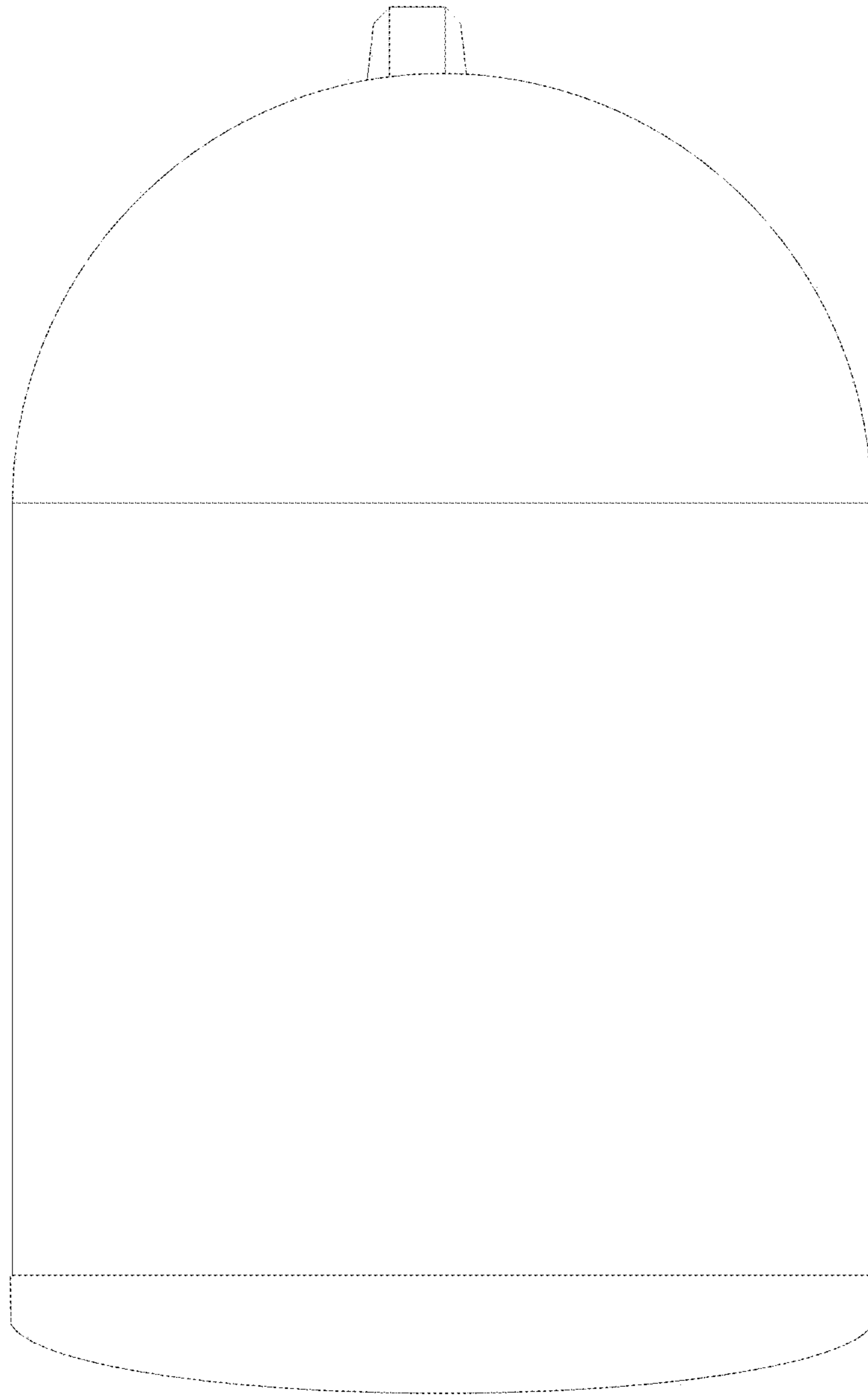


FIG. 2

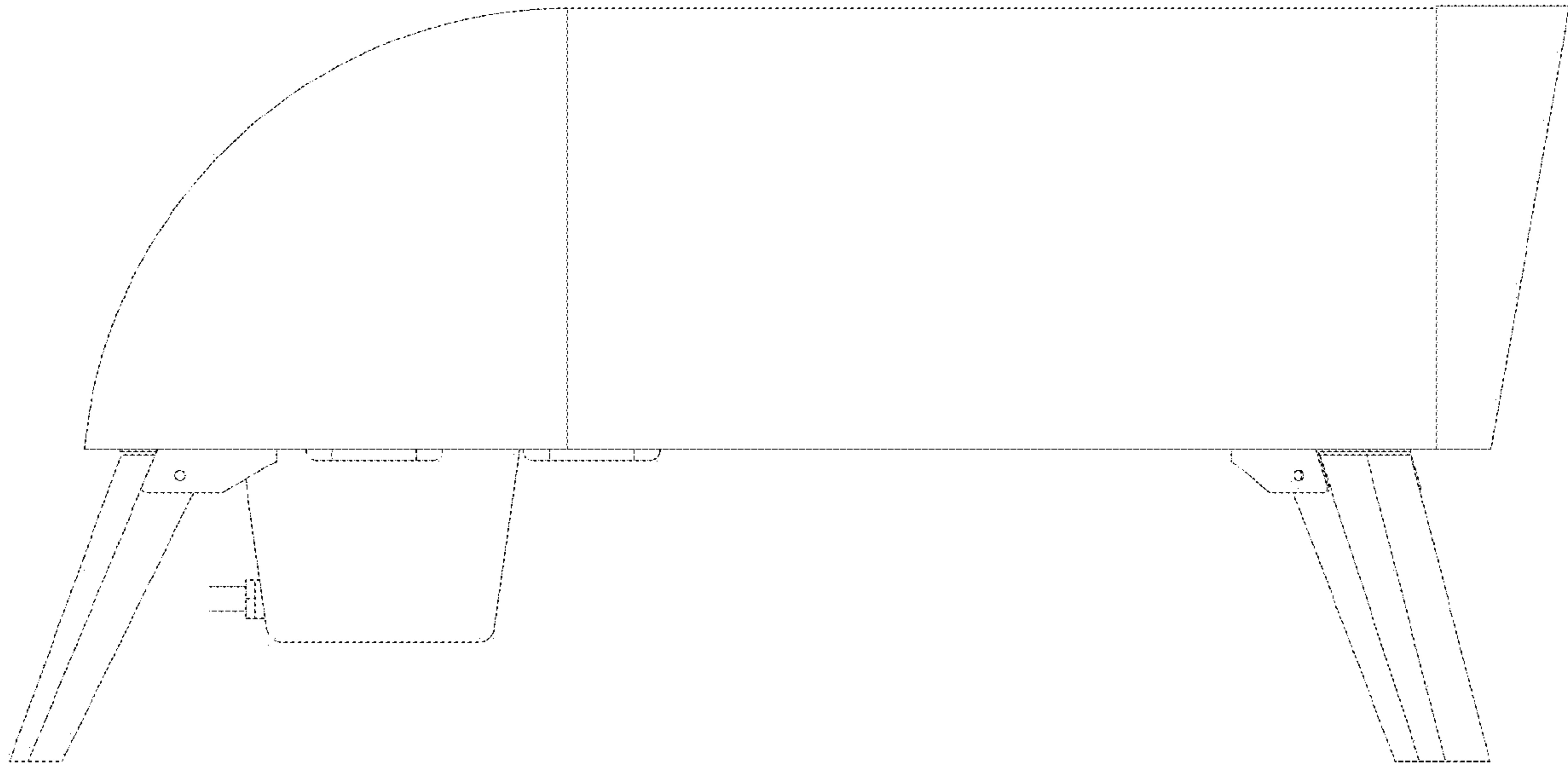


FIG.3

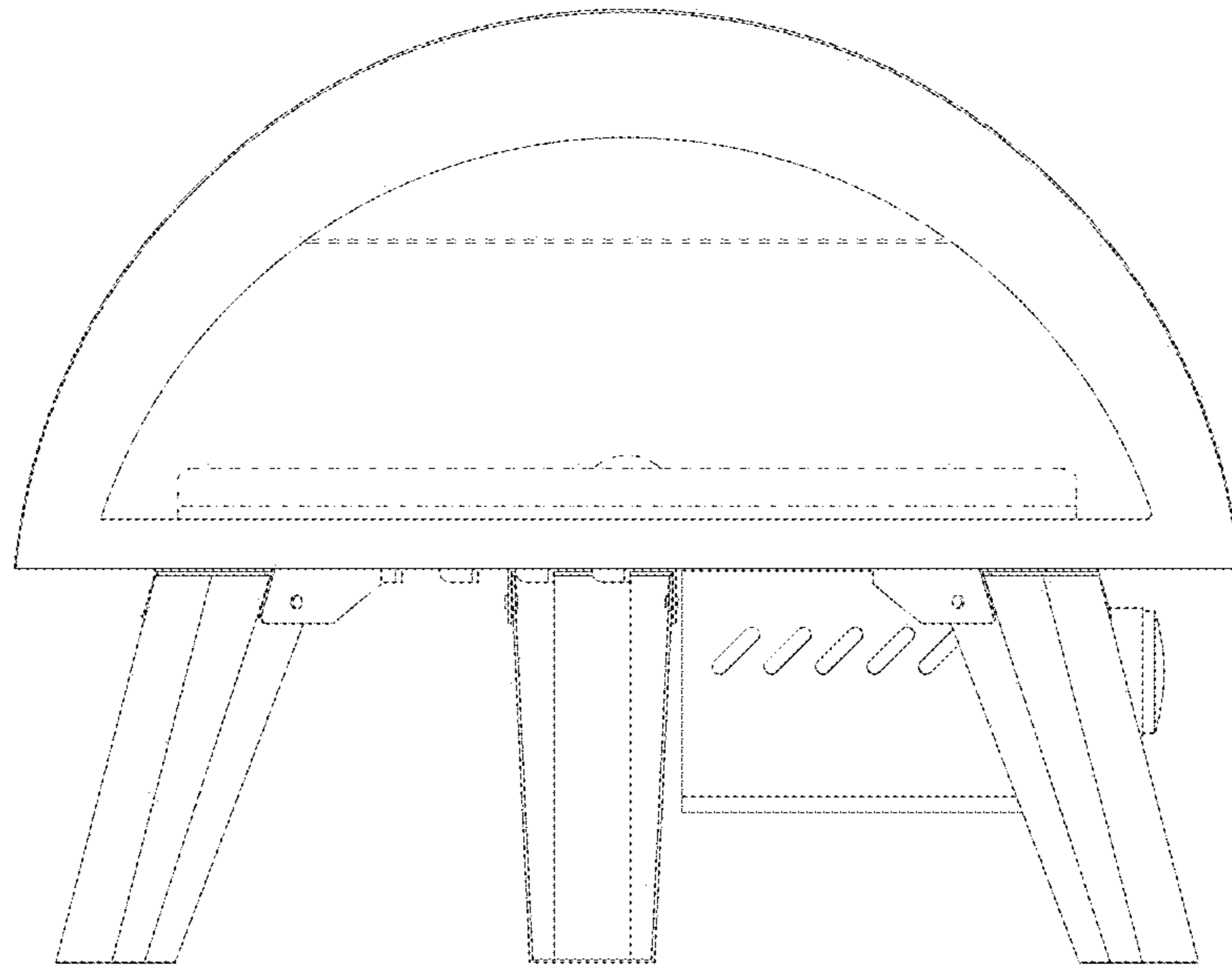


FIG. 4

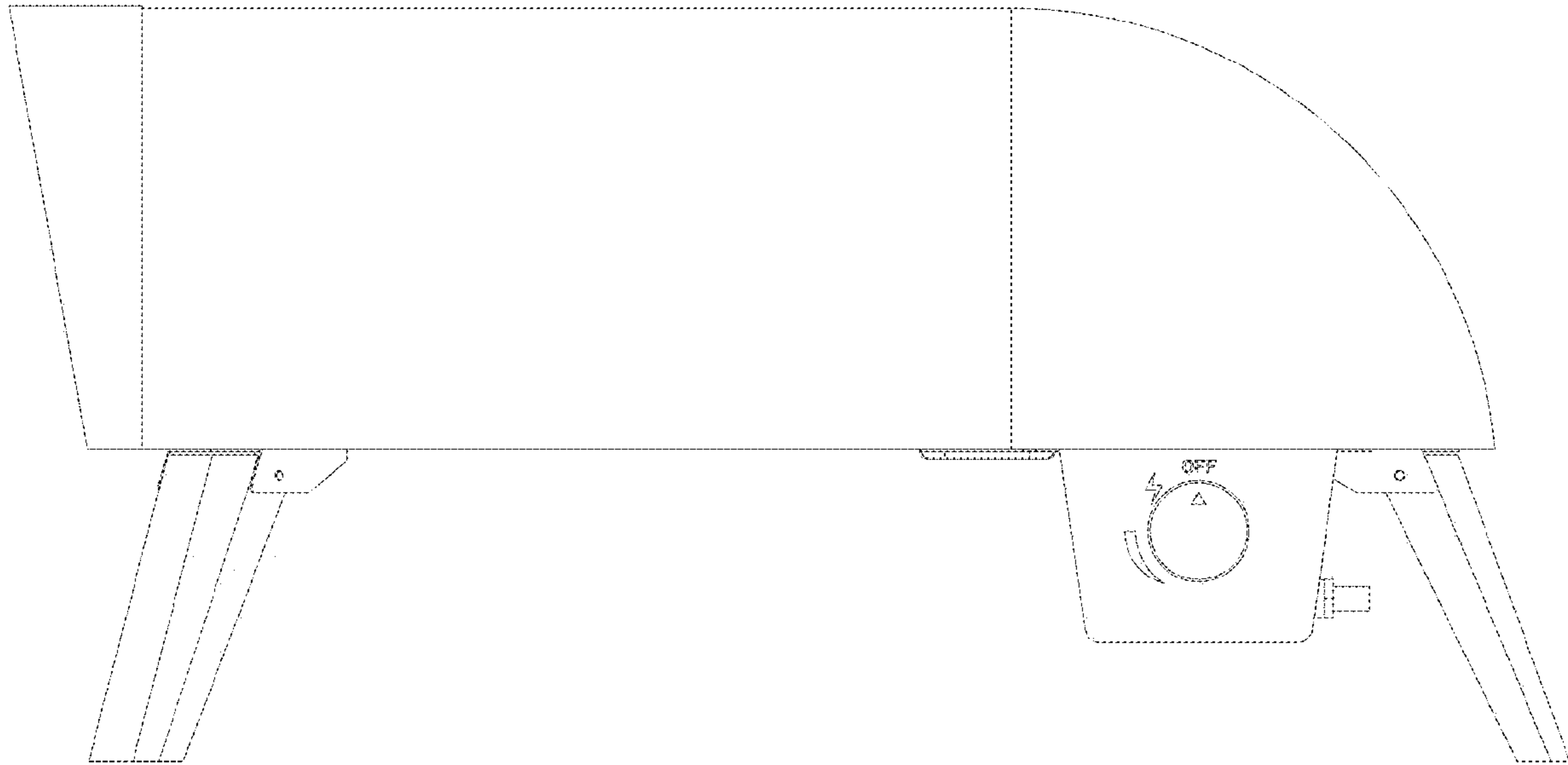


FIG. 5

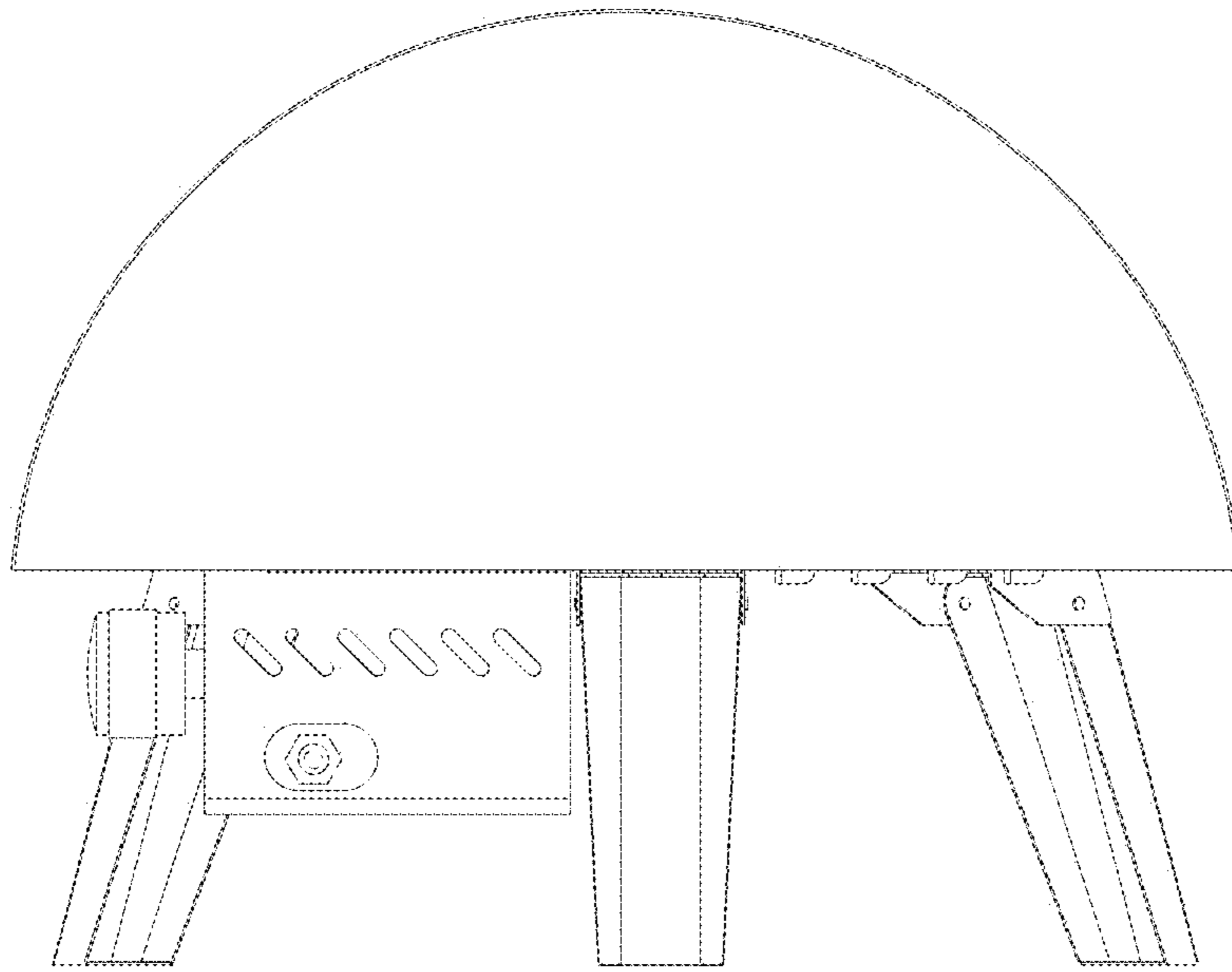


FIG.6



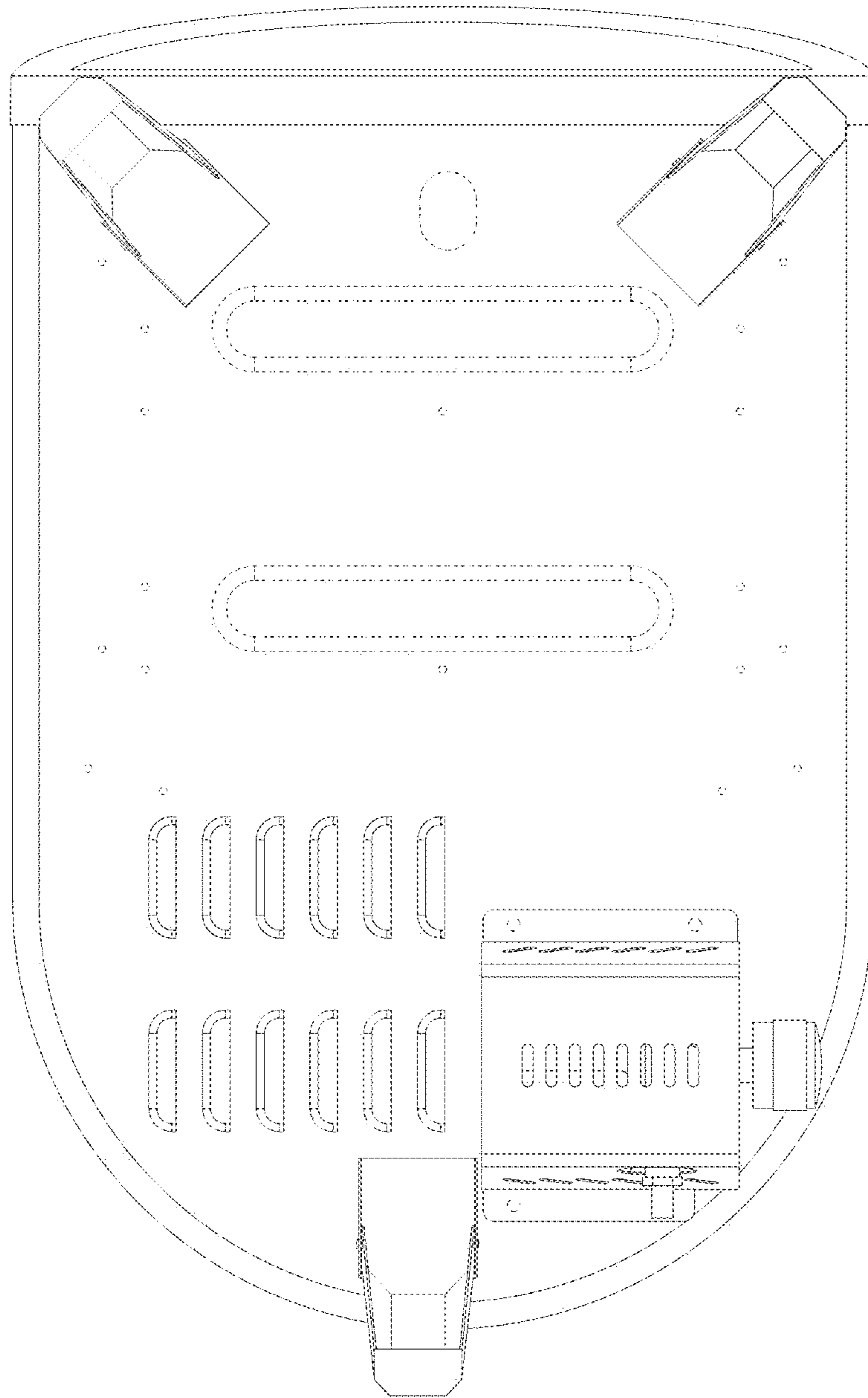


FIG. 7