



US00D971660S

(12) **United States Design Patent** (10) **Patent No.:** **US D971,660 S**
Yan (45) **Date of Patent:** **** Dec. 6, 2022**

(54) **TOASTER**
(71) Applicant: **CONAIR LLC**, Stamford, CT (US)
(72) Inventor: **Shangqin Yan**, Guangdong (CN)
(73) Assignee: **Conair LLC**, Stamford, CT (US)
(**) Term: **15 Years**

D707,071 S 6/2014 Gort-Barten
D724,885 S 3/2015 Kunz
D749,348 S 2/2016 Carlson et al.
D749,349 S 2/2016 Carlson et al.
D758,780 S 6/2016 Affatato et al.
D758,781 S * 6/2016 Yuan D7/330
D765,456 S 9/2016 Lee et al.
D777,501 S 1/2017 Lee et al.
D792,147 S 7/2017 Averty
D797,490 S 9/2017 Averty
D798,098 S 9/2017 Bournay, Jr. et al.
D807,677 S 1/2018 Ho et al.
D823,631 S 7/2018 Gort-Barten et al.
D838,132 S * 1/2019 Kowalewski D7/330

(21) Appl. No.: **29/780,843**
(22) Filed: **Apr. 27, 2021**

(51) **LOC (13) Cl.** **07-02**
(52) **U.S. Cl.**
USPC **D7/330**

(58) **Field of Classification Search**
USPC D7/323, 328-330, 390
CPC ... A21B 2/00; A47J 37/00; A47J 37/06; A47J
37/0611; A47J 37/08; A47J 37/0807;
A47J 37/0814; A47J 37/0821; A47J
37/0835; A47J 37/0842; A47J 37/085;
A47J 37/0864; A47J 37/0878; A47J
37/0885; A47J 37/0892; F24C 15/10;
F24C 15/102

See application file for complete search history.

(56) **References Cited**

U.S. PATENT DOCUMENTS

D193,599 S * 9/1962 De Fano D7/330
D345,074 S 3/1994 Myers et al.
D365,390 S 12/1995 King
D413,224 S 8/1999 Cruz et al.
D422,832 S 4/2000 Gaynor et al.
D423,865 S 5/2000 Gaynor et al.
D489,564 S 5/2004 Enriquez et al.
D492,536 S 7/2004 Wong et al.
D503,581 S 4/2005 Wong et al.
D577,533 S 9/2008 Robinson
D590,653 S 4/2009 Lavy
D628,429 S 12/2010 Ye
D644,473 S 9/2011 Pantaleo et al.

(Continued)

OTHER PUBLICATIONS

Cuisinart CPT-740 4-Slice Digital MemorySet Toaster. Date First Available on Amazon.com Oct. 30, 2020. [https://www.amazon.com/Cuisinart-CPT-740-4-Slice-Digital-MemorySet/dp/B08MBJPR1B/ref \(Year: 2020\).*](https://www.amazon.com/Cuisinart-CPT-740-4-Slice-Digital-MemorySet/dp/B08MBJPR1B/ref (Year: 2020).*)

Primary Examiner — Ricky Pham
(74) *Attorney, Agent, or Firm* — Grogan, Tuccillo & Vanderleeden, LLP

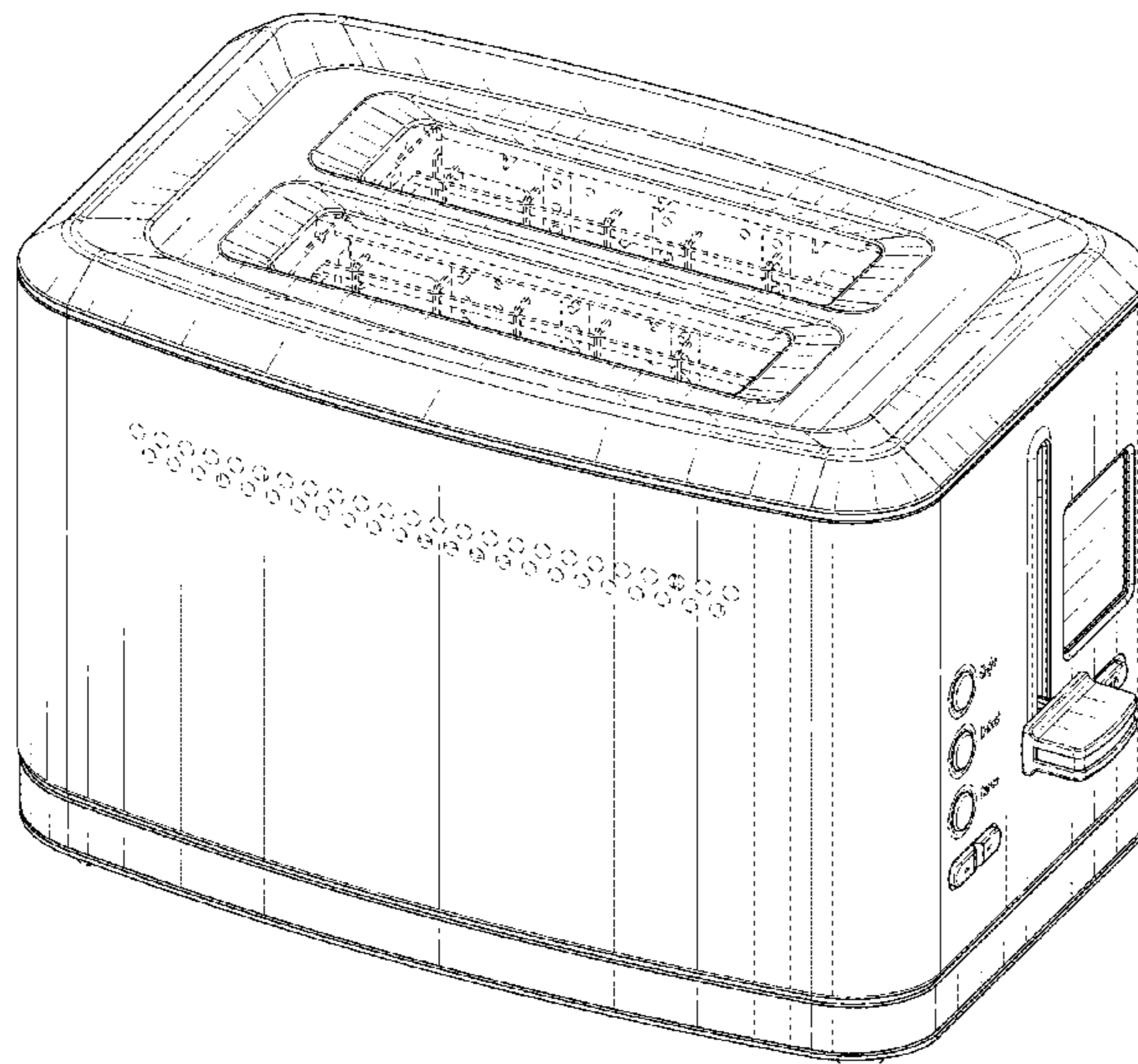
(57) **CLAIM**

The ornamental design for a toaster, as shown and described.

DESCRIPTION

FIG. 1 is a perspective view of a toaster showing a new design;
FIG. 2 is a front elevational view thereof;
FIG. 3 is a rear elevational view thereof;
FIG. 4 is a left side elevational view thereof;
FIG. 5 is right side elevational view thereof;
FIG. 6 is a top plan view thereof; and,
FIG. 7 is a bottom plan view thereof.
The broken lines are for illustrative purposes only and form no part of the claimed design.

1 Claim, 6 Drawing Sheets



(56)

References Cited

U.S. PATENT DOCUMENTS

D843,768 S *	3/2019	Miller	D7/330
D843,769 S	3/2019	Chen	
D859,856 S	9/2019	Josancy	
D886,505 S *	6/2020	Thun	D7/330
D886,506 S	6/2020	Thun et al.	
D927,239 S *	8/2021	Brega	D7/330
D927,915 S *	8/2021	Brega	D7/330
D932,821 S *	10/2021	Wu	D7/330
D932,822 S *	10/2021	Miller	D7/330
D944,582 S *	3/2022	Qin	D7/330

* cited by examiner

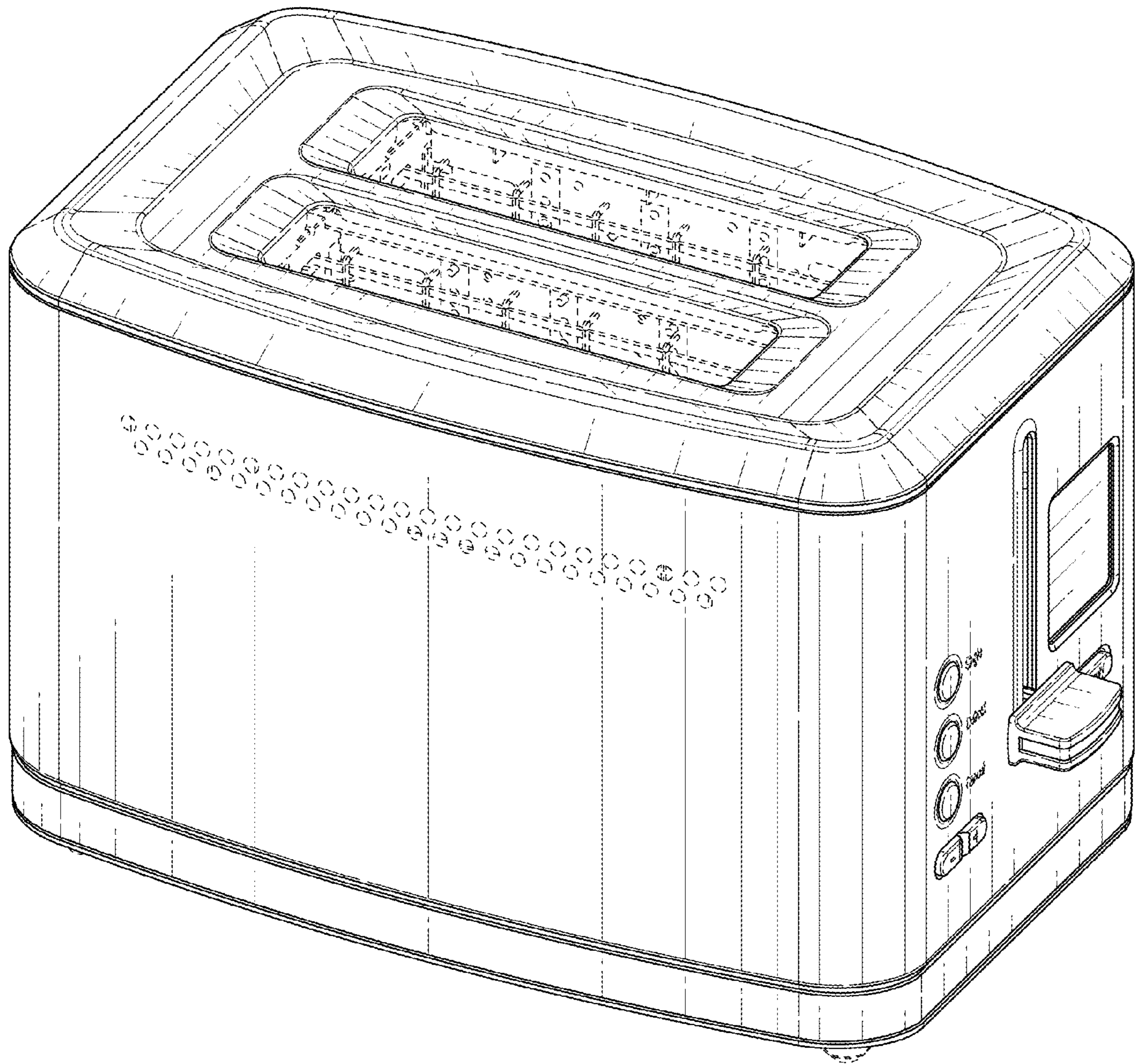


FIG. 1

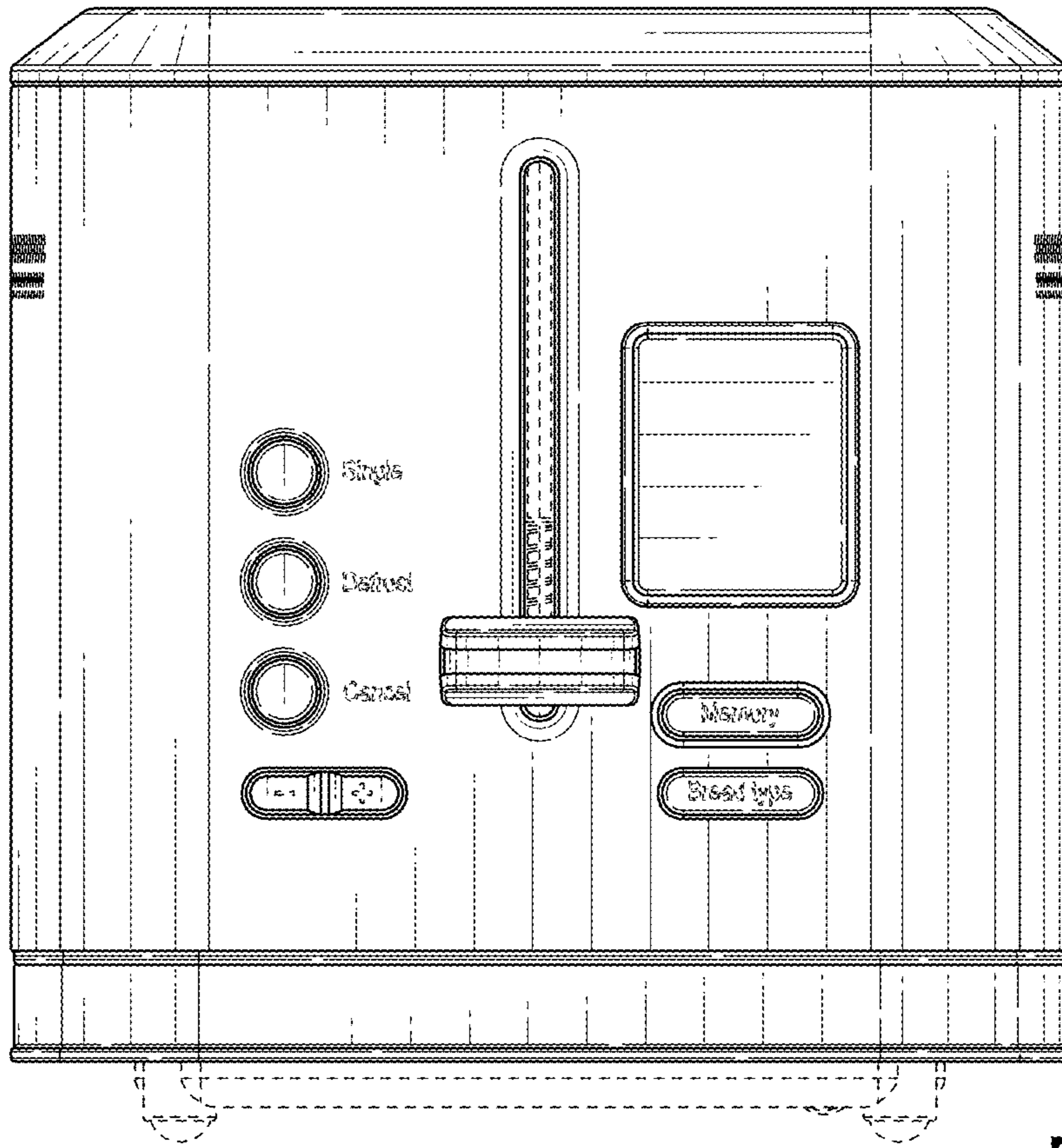


FIG. 2

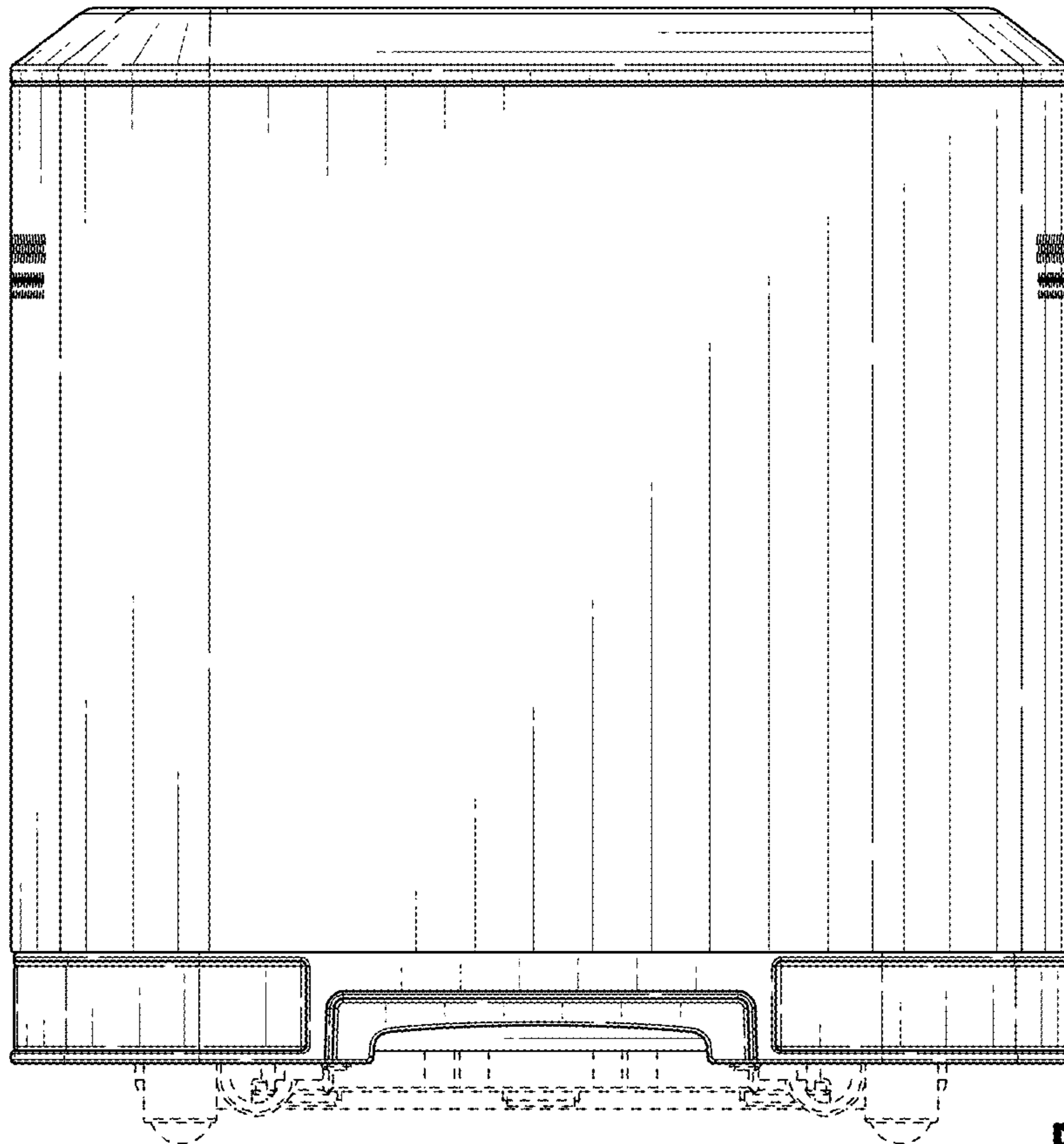


FIG. 3

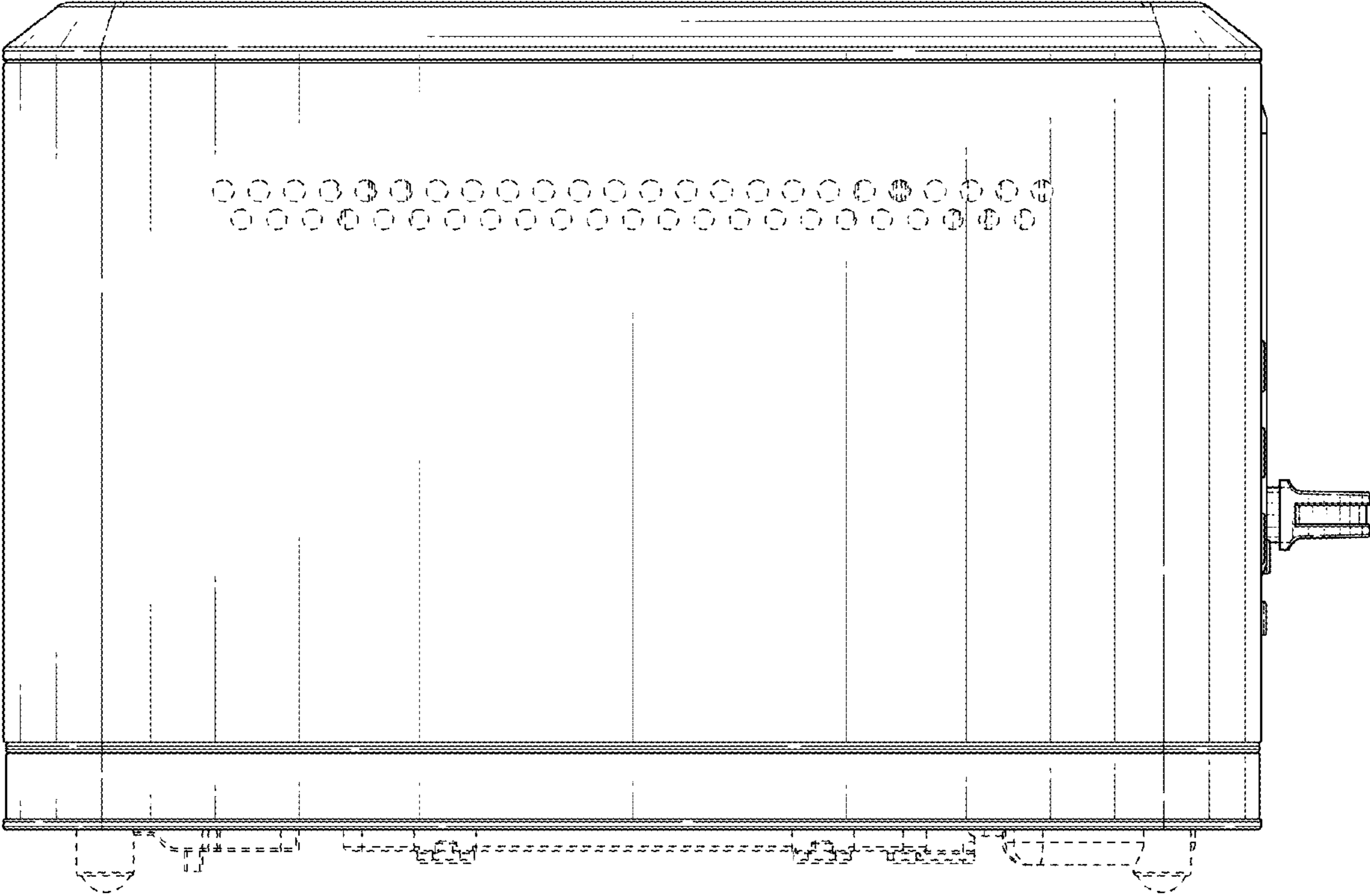


FIG. 4

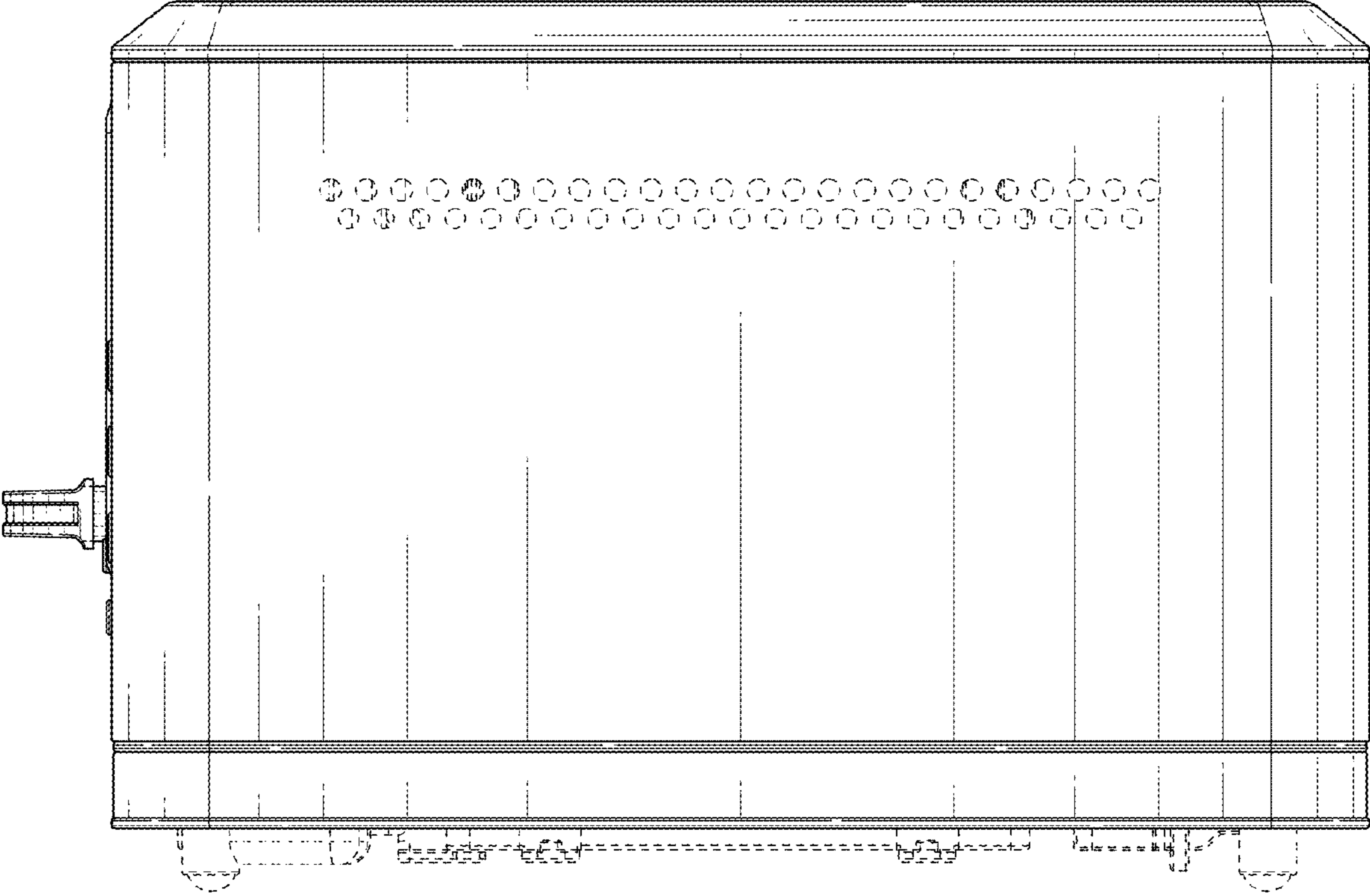


FIG. 5

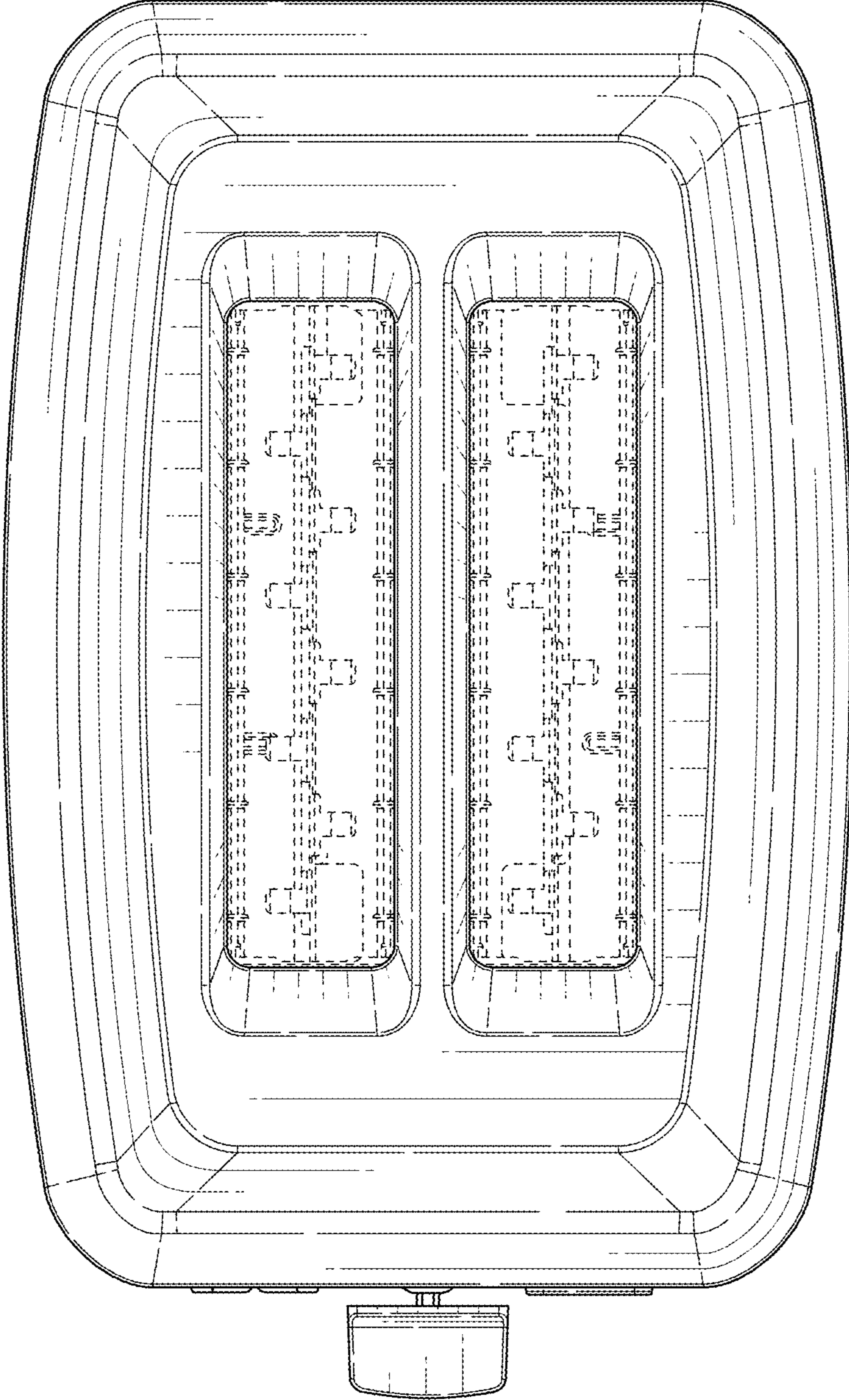


FIG. 6

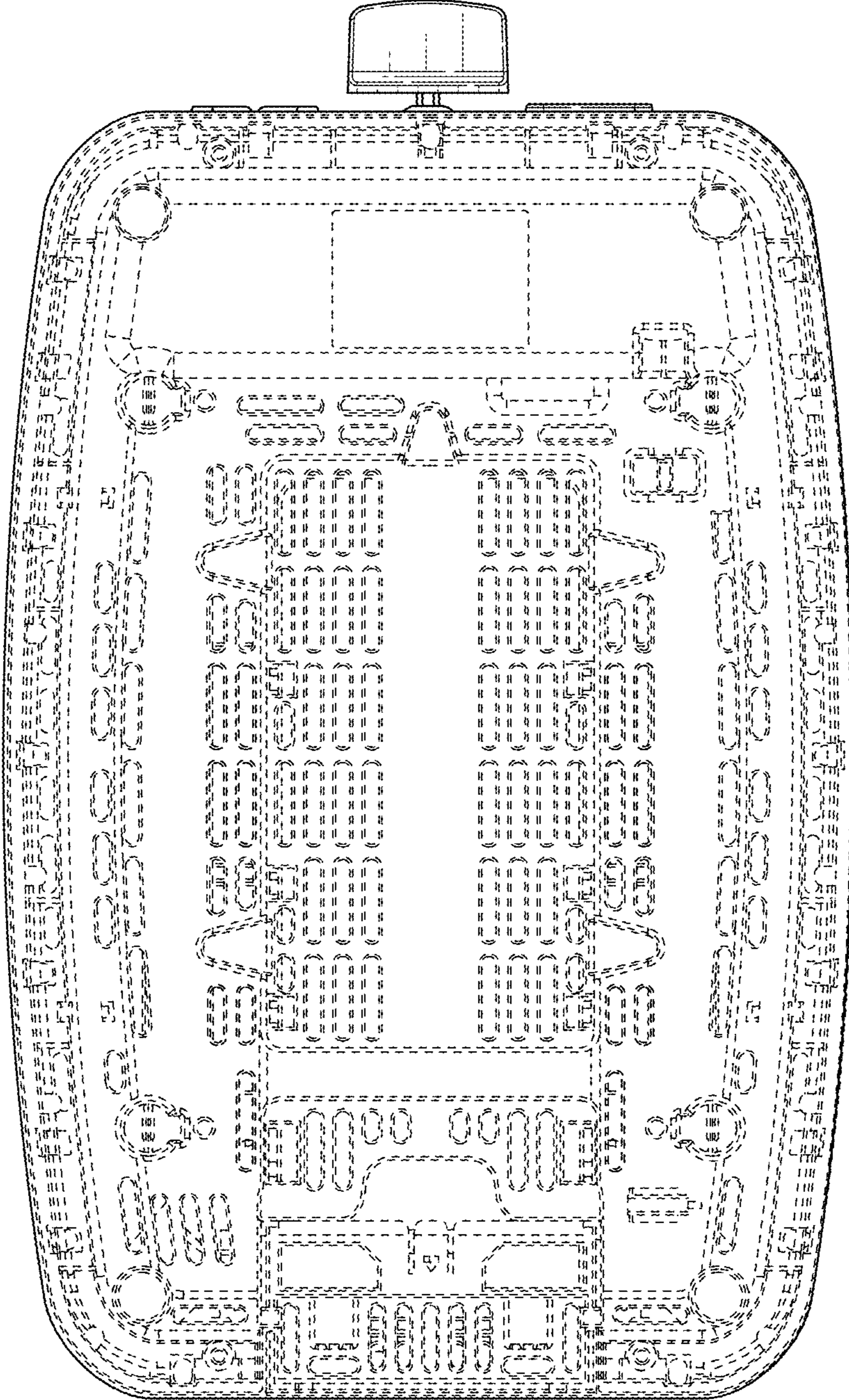


FIG. 7