



US00D971657S

(12) **United States Design Patent** (10) **Patent No.:** **US D971,657 S**  
**Seo et al.** (45) **Date of Patent:** **\*\* Dec. 6, 2022**

(54) **ELECTRIC TEAPOT**  
(71) Applicant: **LG ELECTRONICS INC.**, Seoul (KR)  
(72) Inventors: **Woonkyu Seo**, Seoul (KR); **Hanjin Jung**, Seoul (KR); **Hyun Choi**, Seoul (KR); **Byeongkook Kim**, Seoul (KR)  
(73) Assignee: **LG ELECTRONICS INC.**, Seoul (KR)  
(\*\*) Term: **15 Years**  
(21) Appl. No.: **29/798,964**  
(22) Filed: **Jul. 12, 2021**

(30) **Foreign Application Priority Data**  
Jan. 18, 2021 (KR) ..... 30-2021-0002568  
(51) **LOC (13) Cl.** ..... **07-01**  
(52) **U.S. Cl.**  
USPC ..... **D7/318**  
(58) **Field of Classification Search**  
USPC ..... D7/302, 309, 310, 312, 316, 317, 318, D7/319, 320, 321, 322, 334, 397, 393, D7/399  
CPC ..... A47G 19/14; A47G 19/16; A47G 19/122; A47G 19/12; A47J 27/21; A47J 31/20; A47J 31/02; A47J 31/18; A47J 27/21008; A47J 27/21166; A47J 31/14; A47J 27/2105; A47J 31/16; A47J 31/06; A47J 37/0786; A47J 27/21091; A47J 27/14; A47J 27/022; A47J 31/303; A47J 45/078; A47J 45/067; A47J 27/21083; A47J 27/21191; A47J 27/21175; A47J 27/212; A47J 31/053  
See application file for complete search history.

(56) **References Cited**  
**U.S. PATENT DOCUMENTS**  
D461,087 S \* 8/2002 Hatsumoto ..... A47J 27/21175 D7/317  
D603,647 S \* 11/2009 Bodum ..... D7/317

D605,455 S \* 12/2009 Bodum ..... D7/317  
D633,324 S \* 3/2011 Mondragon ..... D7/317  
D646,522 S \* 10/2011 Collinson ..... D7/378  
D691,409 S \* 10/2013 Dichraff ..... D7/317  
D747,130 S \* 1/2016 Kunz ..... D7/319  
D777,500 S \* 1/2017 Lee ..... D7/319  
D817,063 S \* 5/2018 Morton ..... D7/318  
D856,734 S \* 8/2019 Lee ..... D7/318  
D859,076 S \* 9/2019 Lee ..... D7/413  
D864,646 S \* 10/2019 Josancy ..... D7/319  
D878,848 S \* 3/2020 Hu ..... D7/317  
D880,925 S \* 4/2020 Saul ..... D7/317  
D953,088 S \* 5/2022 Seo ..... D7/318  
D955,154 S \* 6/2022 Wu ..... D7/318

(Continued)

*Primary Examiner* — Joseph Kukella  
*Assistant Examiner* — Darryl J Dardenne  
(74) *Attorney, Agent, or Firm* — Birch, Stewart, Kolasch & Birch, LLP

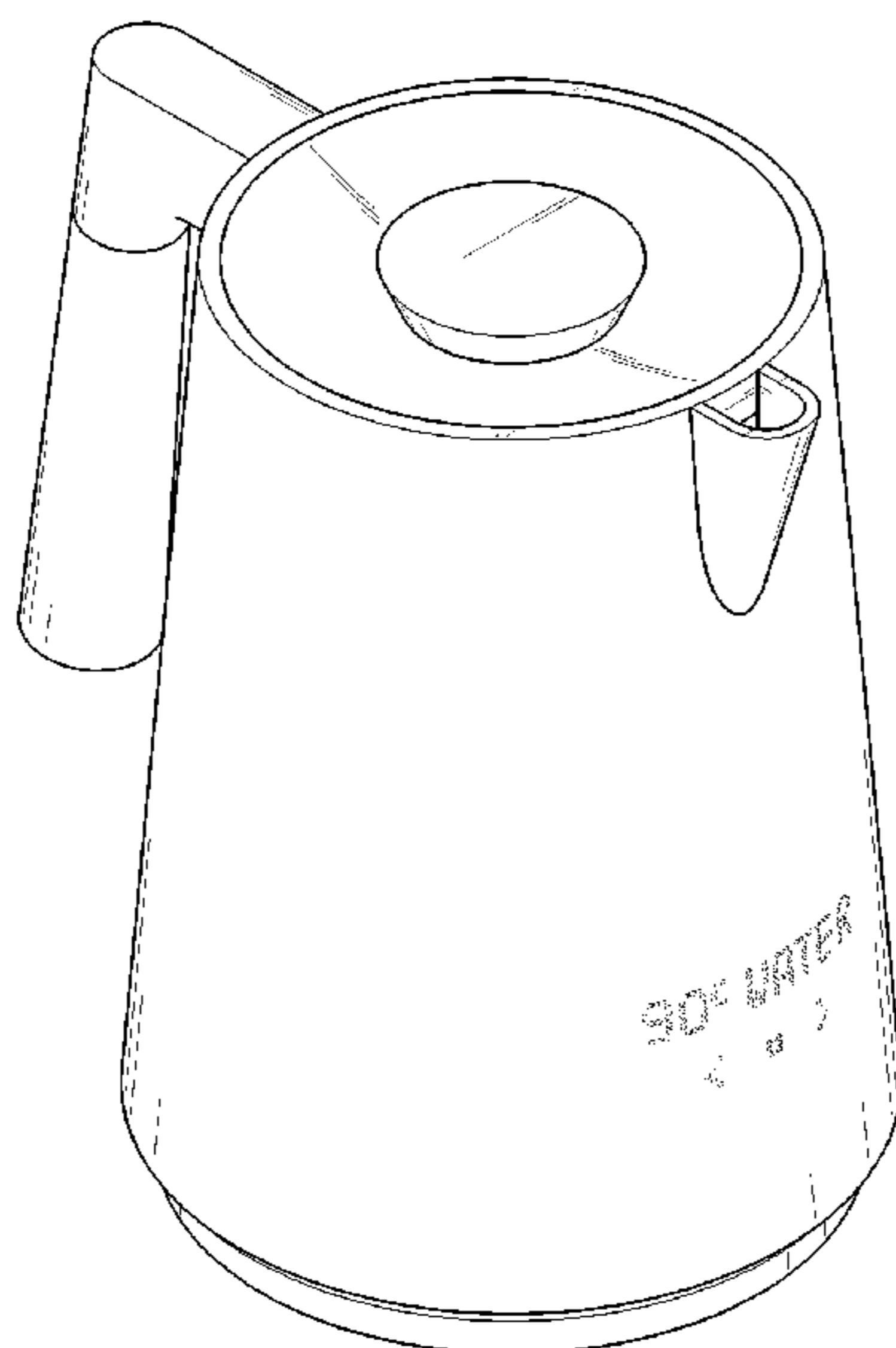
(57) **CLAIM**

We claim the ornamental design for an electric teapot, as shown and described.

**DESCRIPTION**

FIG. 1 is a front perspective view of an electric teapot showing a new design;  
FIG. 2 is a rear perspective view thereof;  
FIG. 3 is a front view thereof;  
FIG. 4 is a rear view thereof;  
FIG. 5 is a left-side elevation view thereof;  
FIG. 6 is a right-side elevation view thereof;  
FIG. 7 is a top plan view thereof; and,  
FIG. 8 is a bottom plan view thereof.  
The broken lines shown in the drawings illustrate portions of the electric teapot that form no part of the claimed design.

**1 Claim, 8 Drawing Sheets**



(56)

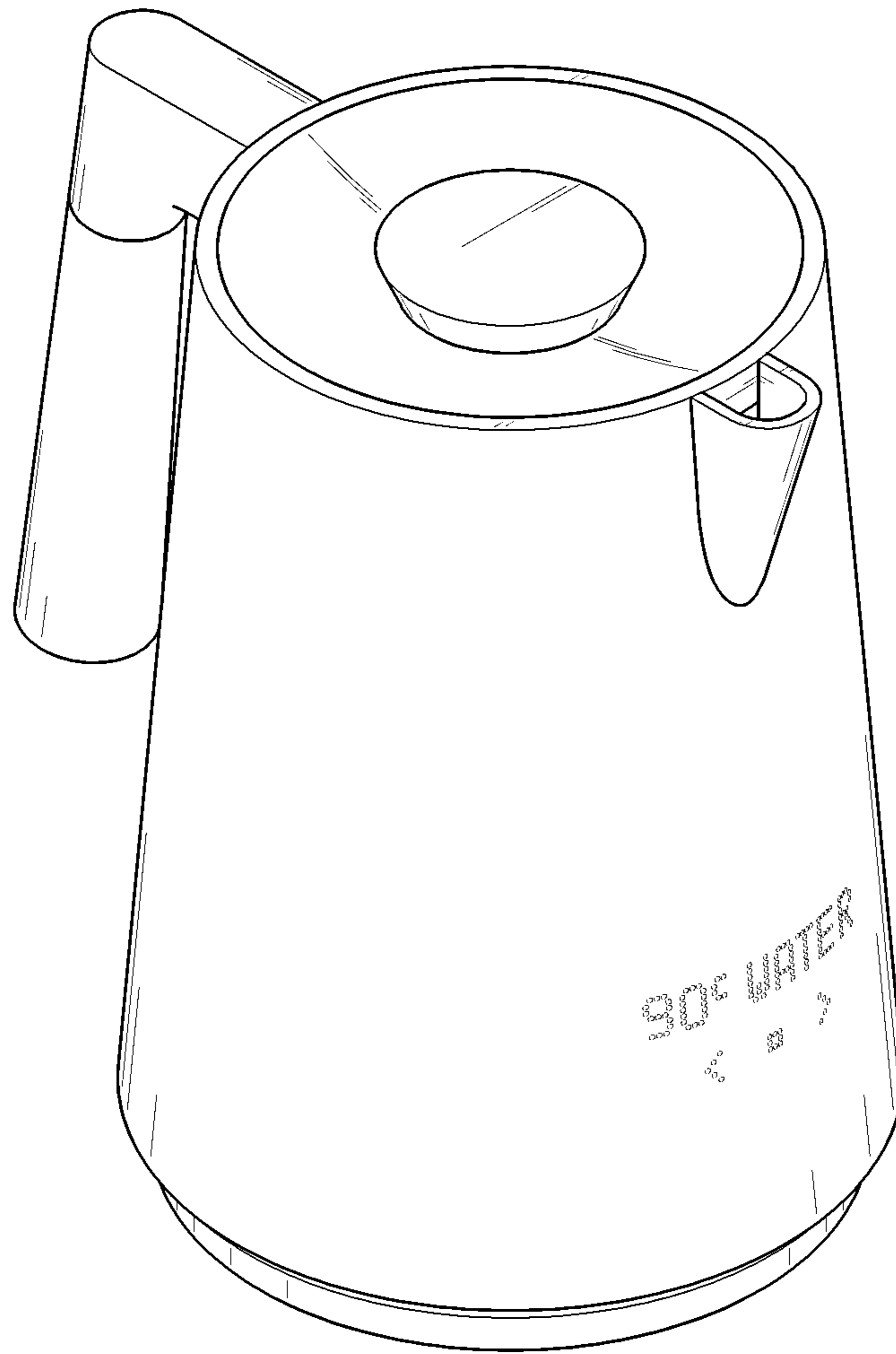
**References Cited**

U.S. PATENT DOCUMENTS

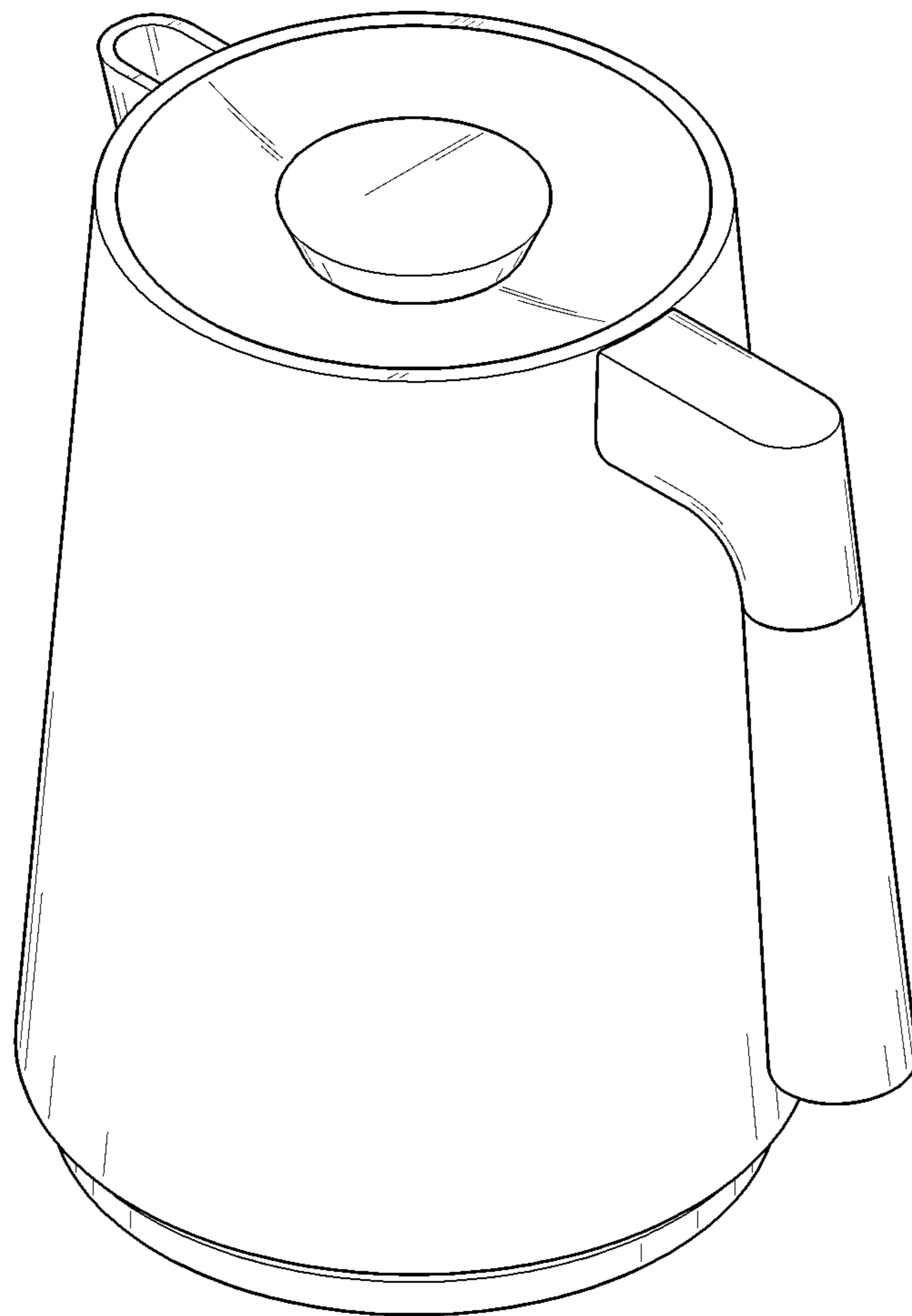
D961,980 S \* 8/2022 Symons ..... D7/413  
D963,392 S \* 9/2022 Seo ..... D7/317  
2005/0229788 A1\* 10/2005 White ..... A47J 31/00  
99/323  
2021/0068579 A1\* 3/2021 Dong ..... A47J 27/21175

\* cited by examiner

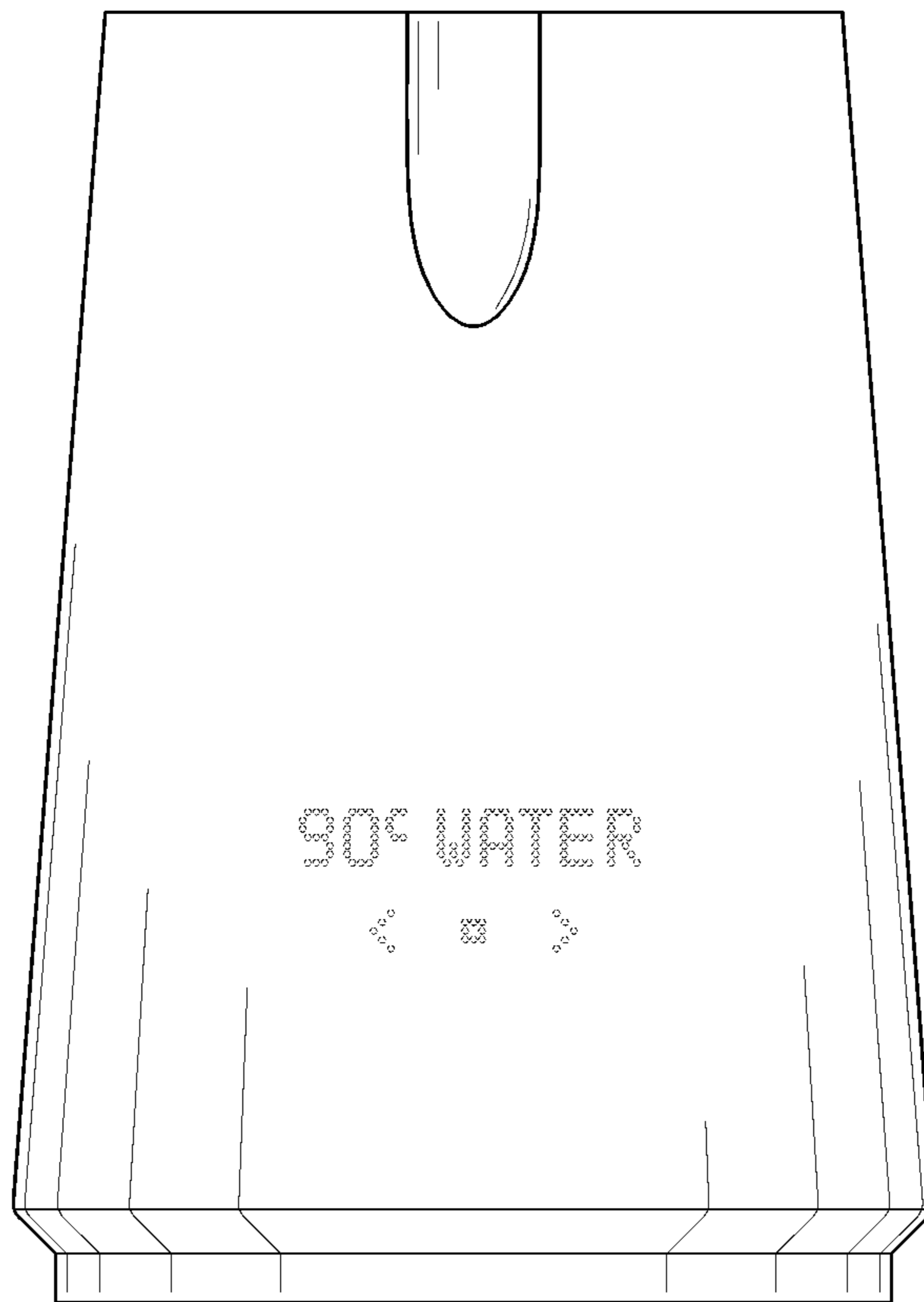
*FIG. 1*



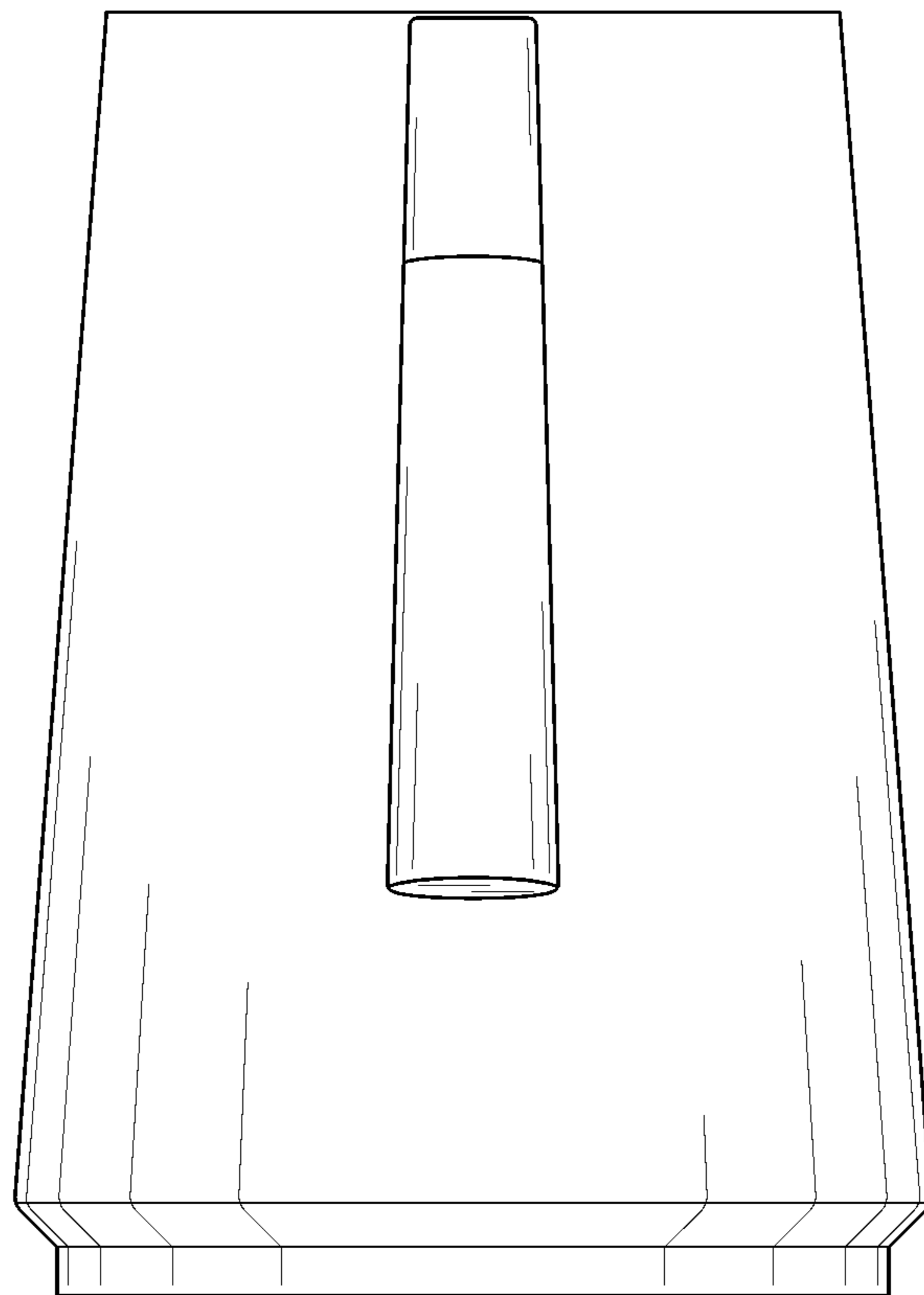
*FIG. 2*



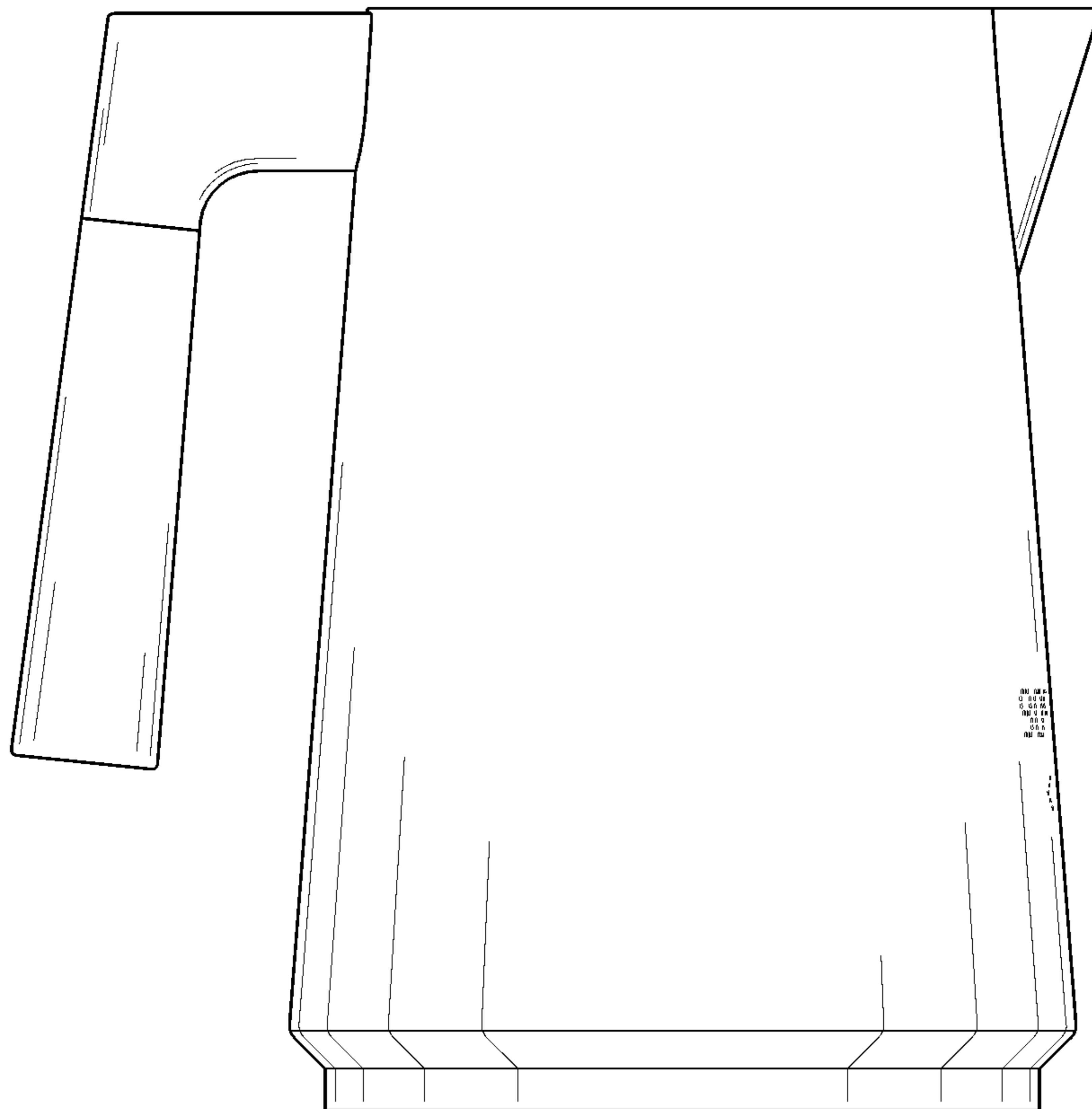
*FIG. 3*



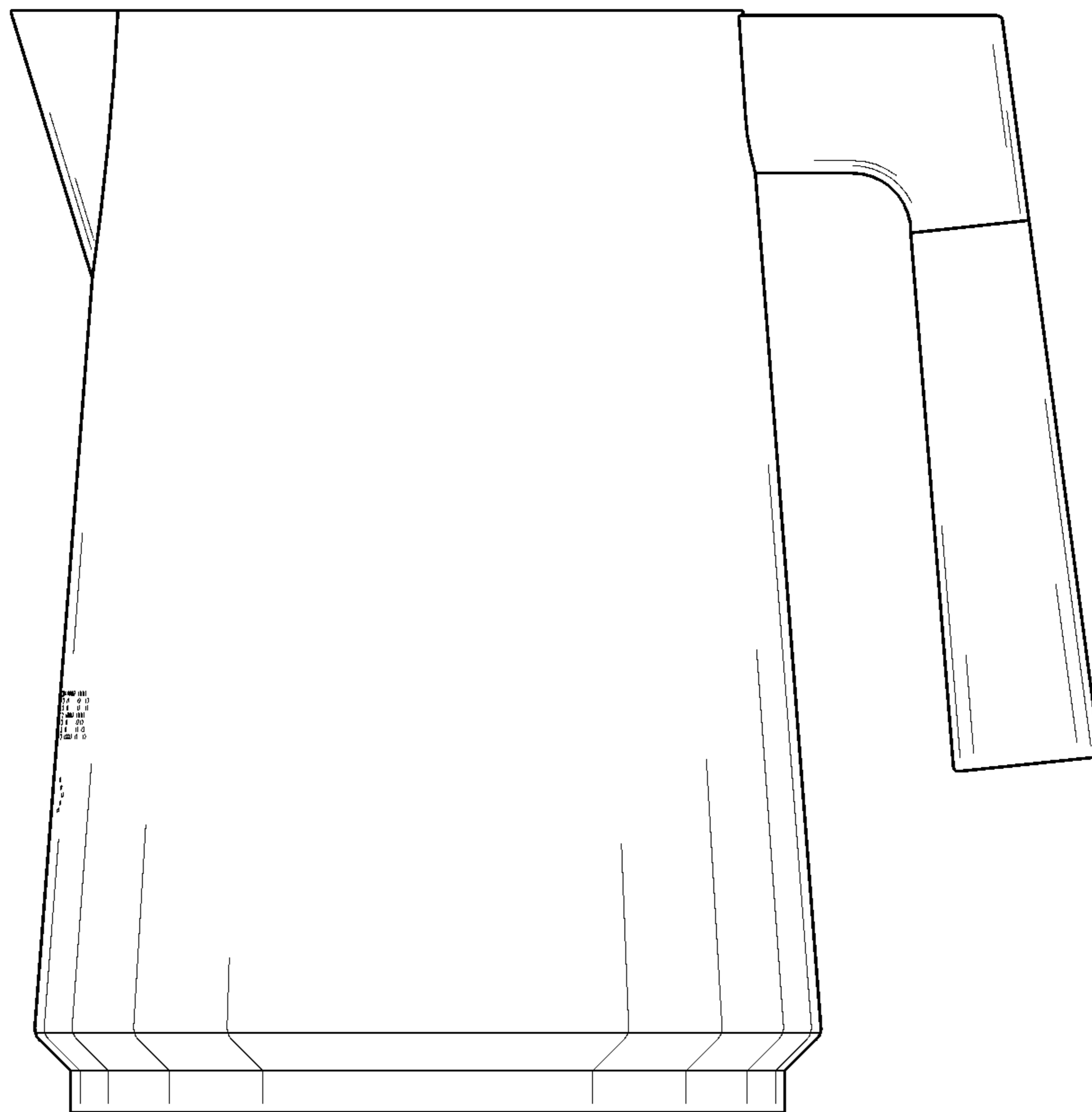
*FIG. 4*



*FIG. 5*

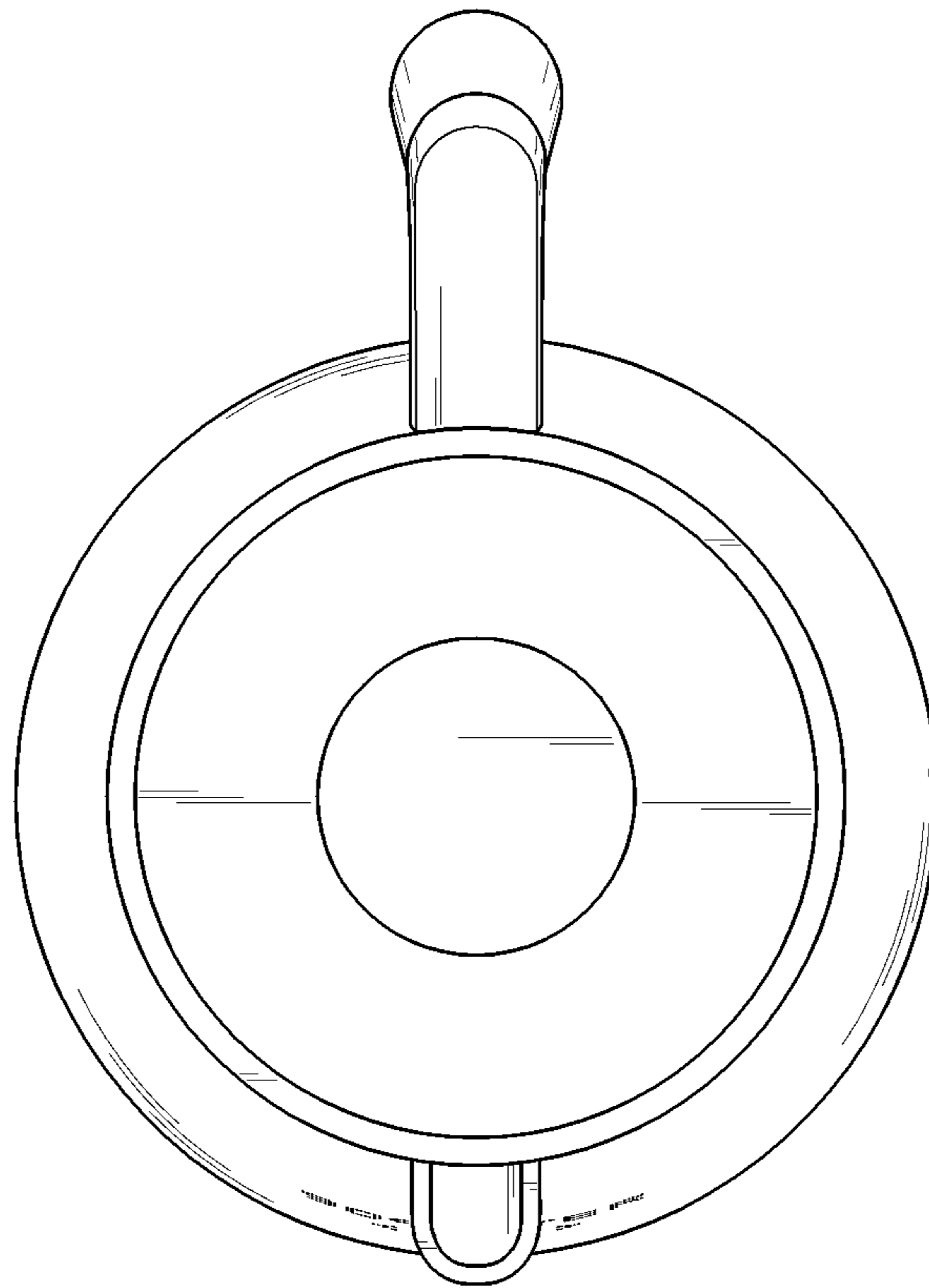


*FIG. 6*





*FIG. 7*



*FIG. 8*

