



US00D971655S

(12) **United States Design Patent**
Bhakta

(10) **Patent No.:** **US D971,655 S**
(45) **Date of Patent:** **** Dec. 6, 2022**

(54) **CHAIR BASE**

(71) Applicant: **Jayesh Bhakta**, Corona, CA (US)

(72) Inventor: **Jayesh Bhakta**, Corona, CA (US)

(**) Term: **15 Years**

(21) Appl. No.: **29/753,027**

(22) Filed: **Sep. 29, 2020**

(51) **LOC (13) Cl.** **06-06**

(52) **U.S. Cl.**
USPC **D6/708.23**

(58) **Field of Classification Search**

USPC D6/334–336, 364, 365, 366, 367, 708.23,
D6/708.24

CPC A47C 7/002; A47C 7/004; A47C 7/006;
A47C 7/18; A47C 7/24; A47C 3/20;
A47C 3/24

See application file for complete search history.

(56) **References Cited**

U.S. PATENT DOCUMENTS

D321,299 S *	11/1991	Caruso	D6/708.23
D369,918 S *	5/1996	Beaulieu	D6/366
D583,594 S *	12/2008	Tamara	D6/708.23
D793,785 S *	8/2017	Ediger	D6/708.23
2022/0218110 A1 *	7/2022	Wu	A47C 7/006

OTHER PUBLICATIONS

Frassie 28 inch Gaming Chair Base Replacement with 5 Casters,
Nylon Heavy Duty Office Chair Base Part (Red), from amazon.com,

Date First Available: Dec. 15, 2021, pp. 1 and 7, from https://www.amazon.com/Frassie-Gaming-Replacement-Casters-Office/dp/B09NN391KJ/ref=sr_1_196_sspa?keywords=desk%2Bchair%2Bbase%2Breplacement&qid=1660236451&sr=8-196-spons&spLa=ZW5jcnlwdGVkUXVhbGlmaWVyPUEwUEZJTjZLRzBKTKFaJmVuY3J5cHRlZEFkSWQ9QTA5MTc0NjUzQUhVUkRINK9ETIBMJndpZGdlldE5hbWU9c3BfYXRmX25leHQmYWN0aW9uPWNsaWNrUmVkaXJlY3QmZG9Ob3Rmb2dDbGljaz10cnVl&th=1 (Year: 2021).*

* cited by examiner

Primary Examiner — Mimosa De

(74) *Attorney, Agent, or Firm* — Morland C. Fischer

(57) **CLAIM**

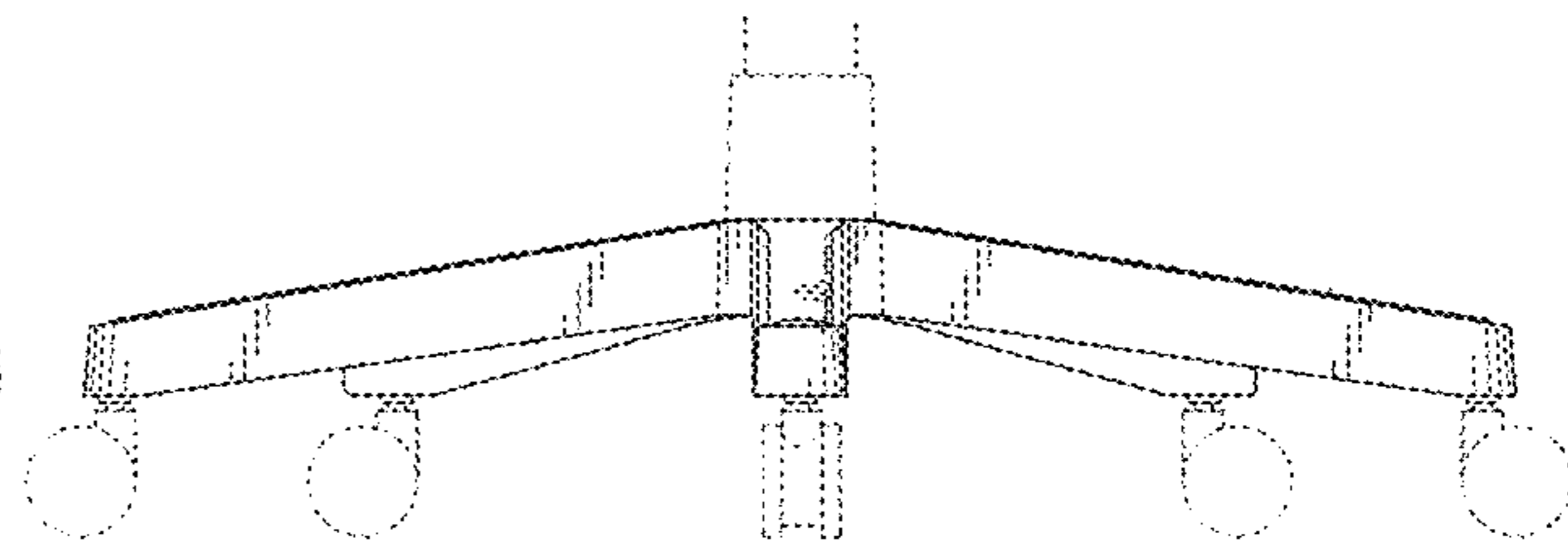
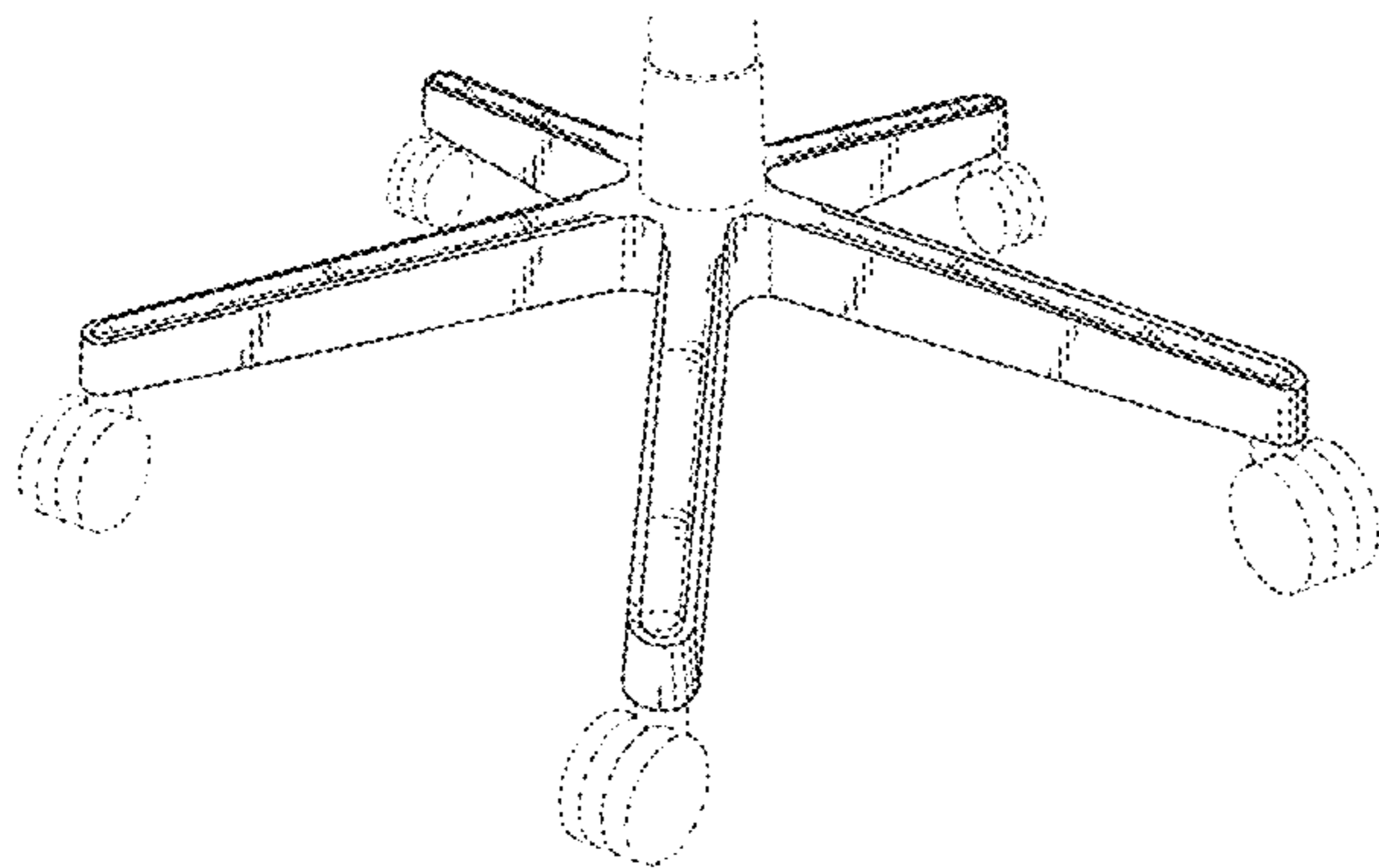
The or design for a chair base, as shown and described.

DESCRIPTION

FIG. 1 is a perspective view showing the front, top and opposite sides of a chair base which forms my new design; FIG. 2 is a top plan view thereof; FIG. 3 is a front elevational view thereof; FIG. 4 is a bottom plan view thereof; FIG. 5 is a rear elevational view thereof; FIG. 6 is a left side elevational view thereof; and, FIG. 7 is a right side elevational view thereof.

The broken lines in the figures depict portions of the chair base that form no part of the claim.

1 Claim, 4 Drawing Sheets



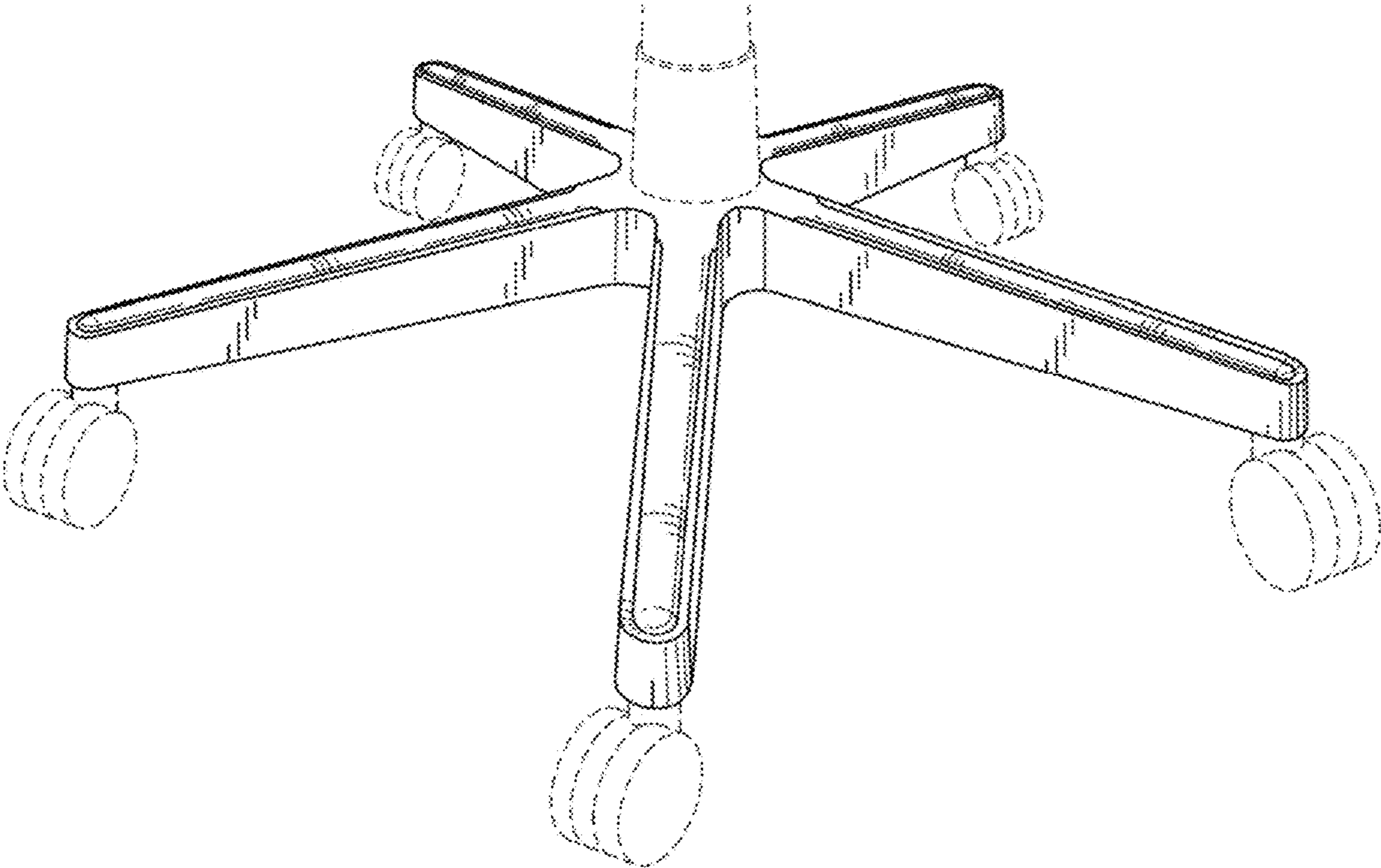


FIG. 1

FIG. 2

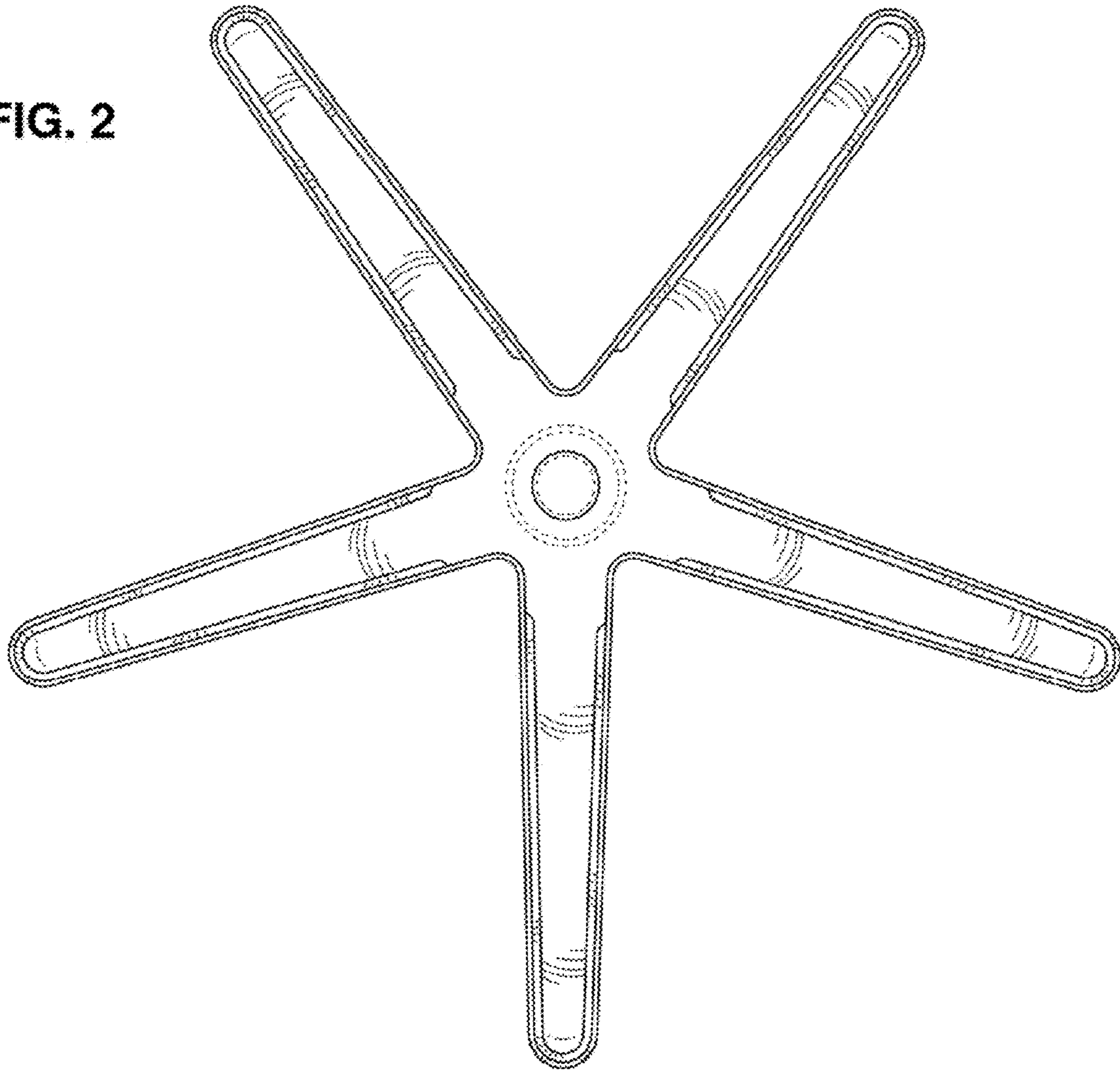


FIG. 3

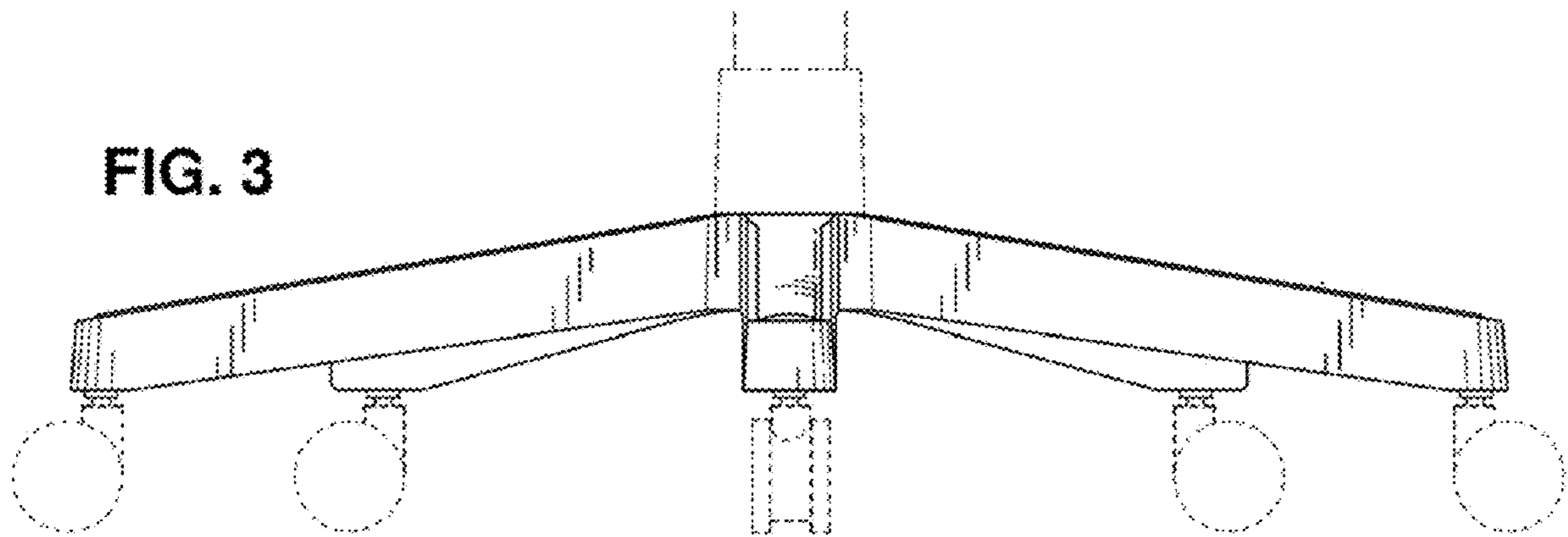


FIG. 4

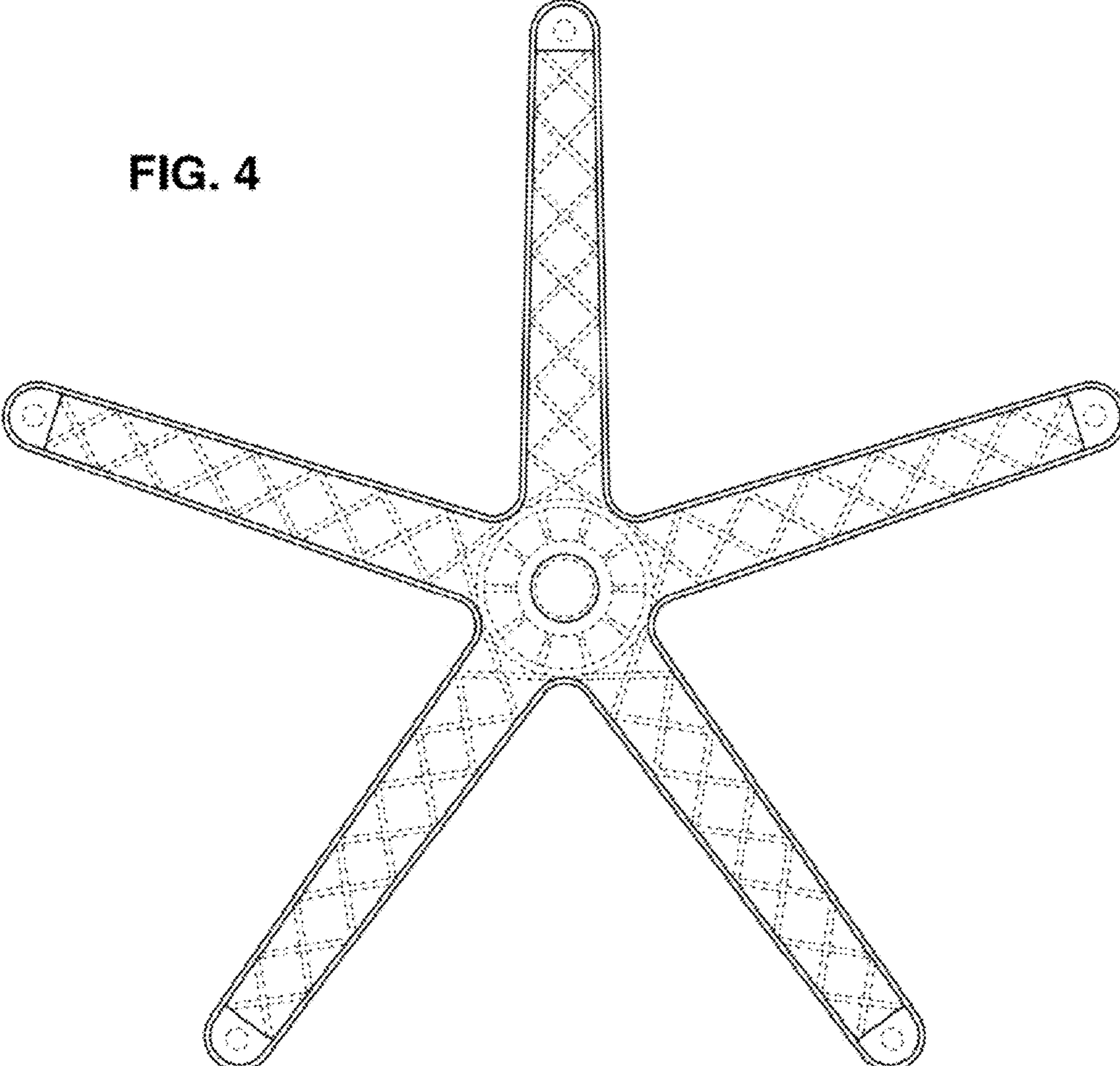
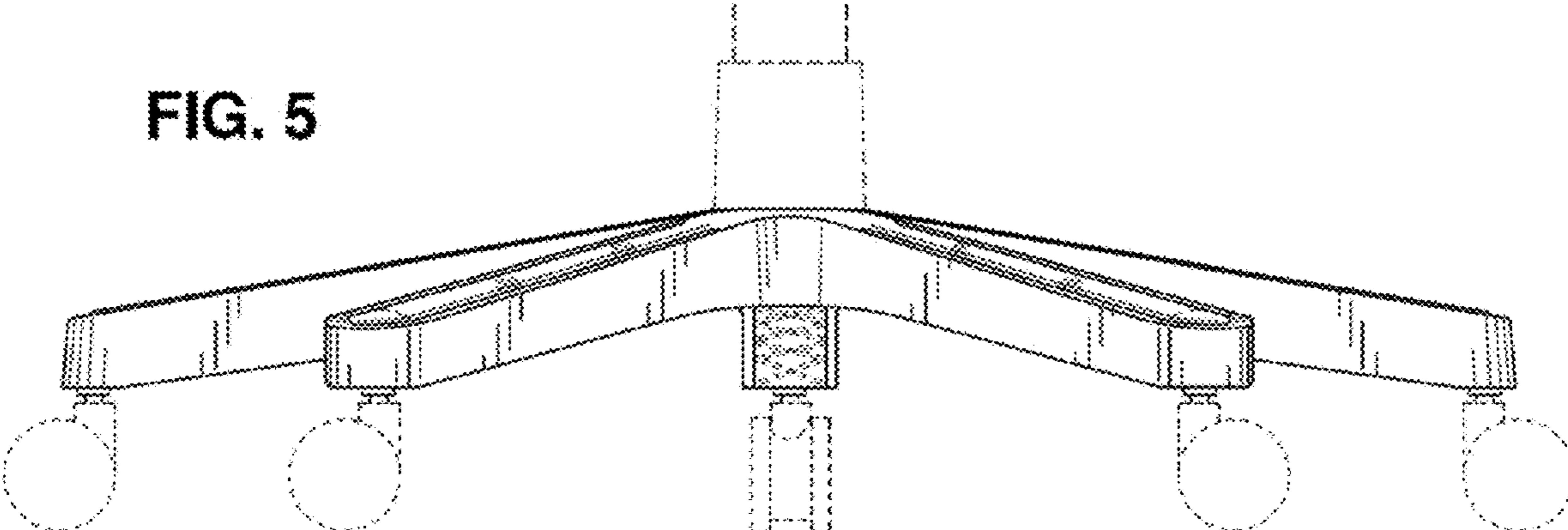


FIG. 5



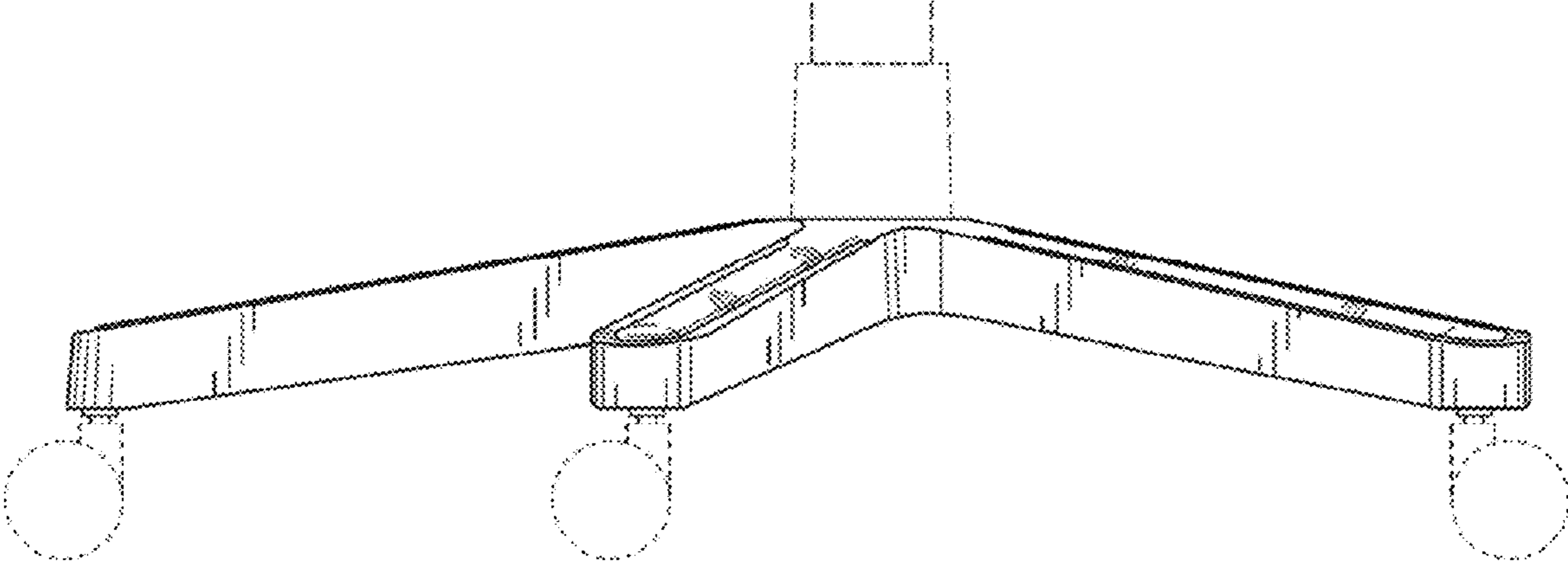


FIG. 6

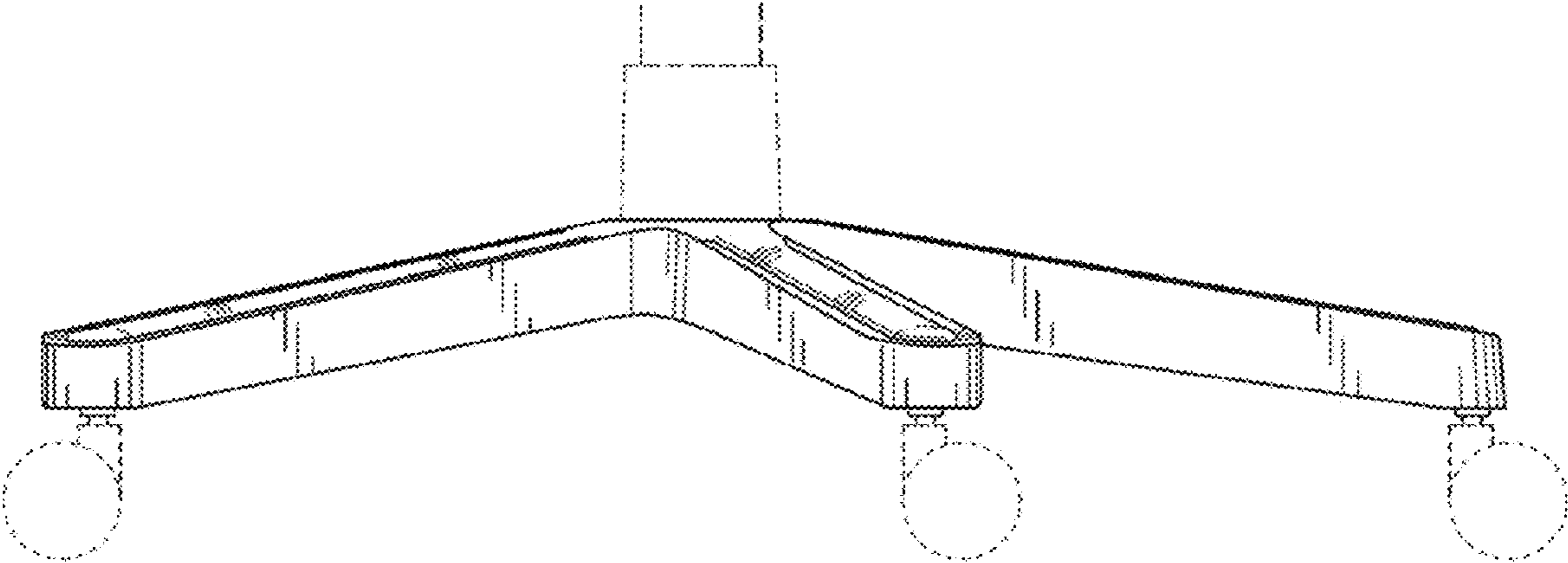


FIG. 7