



US00D971653S

(12) **United States Design Patent** (10) **Patent No.:** **US D971,653 S**
Luo (45) **Date of Patent:** **** Dec. 6, 2022**

(54) **CORNER CABINET**
(71) Applicant: **Guangpeng Luo**, Ningbo (CN)
(72) Inventor: **Guangpeng Luo**, Ningbo (CN)
(73) Assignee: **Guangpeng Luo**, Ningbo (CN)
(**) Term: **15 Years**

D314,477 S * 2/1991 Richter D6/676.1
D322,526 S * 12/1991 Leis D6/661
D325,137 S * 4/1992 Porter D6/676.1
D330,469 S * 10/1992 Brodbeck D6/648
D349,829 S * 8/1994 Bustos D6/661.1
D369,485 S * 5/1996 Lechleiter D6/678
D405,989 S * 2/1999 Rosso D6/678.1
D468,114 S * 1/2003 Ong D6/301
D668,080 S * 10/2012 Doron D6/661
D907,414 S * 1/2021 Li D6/676.1
D922,110 S * 6/2021 Chen D6/676.1
D954,477 S * 6/2022 Luo D6/677.1

(21) Appl. No.: **29/847,717**
(22) Filed: **Jul. 27, 2022**
(51) **LOC (13) Cl.** **06-06**
(52) **U.S. Cl.**
USPC **D6/678.1**
(58) **Field of Classification Search**
USPC D6/672, 675, 675.1, 676, 676.1, 678,
D6/678.1, 680, 680.2, 512
CPC A47B 49/00; A47B 49/002; A47B 49/004;
A47B 45/00; A47B 47/00; A47B
47/0091; A47F 3/00; A47F 3/005; A47F
3/0439; A47F 3/06; A47F 3/10; A47F
5/0018; A47F 5/0025; A47F 5/0043;
A47F 5/02; A47F 5/04
See application file for complete search history.

* cited by examiner

Primary Examiner — Kelley A Donnelly
(74) *Attorney, Agent, or Firm* — Nitin Kaushik

(57) **CLAIM**

The ornamental design for a corner cabinet, as shown and described.

DESCRIPTION

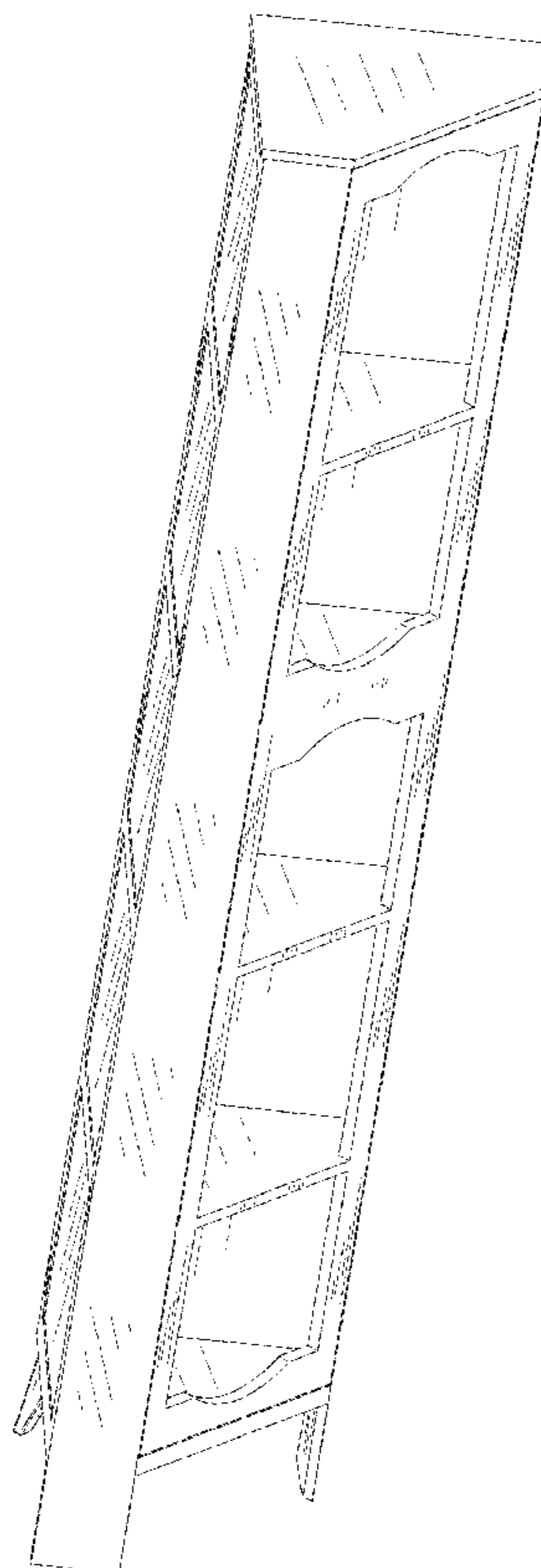
FIG. 1 is a left side perspective view of a corner cabinet, showing my new design;
FIG. 2 is a right side perspective view thereof;
FIG. 3 is a front view thereof;
FIG. 4 is a rear view thereof;
FIG. 5 is a left side view thereof;
FIG. 6 is a right side view thereof;
FIG. 7 is a top view thereof; and,
FIG. 8 is a bottom view thereof.

(56) **References Cited**

U.S. PATENT DOCUMENTS

D233,087 S * 10/1974 Martin D6/680
D253,567 S * 12/1979 Ungaro D6/675.1

1 Claim, 8 Drawing Sheets



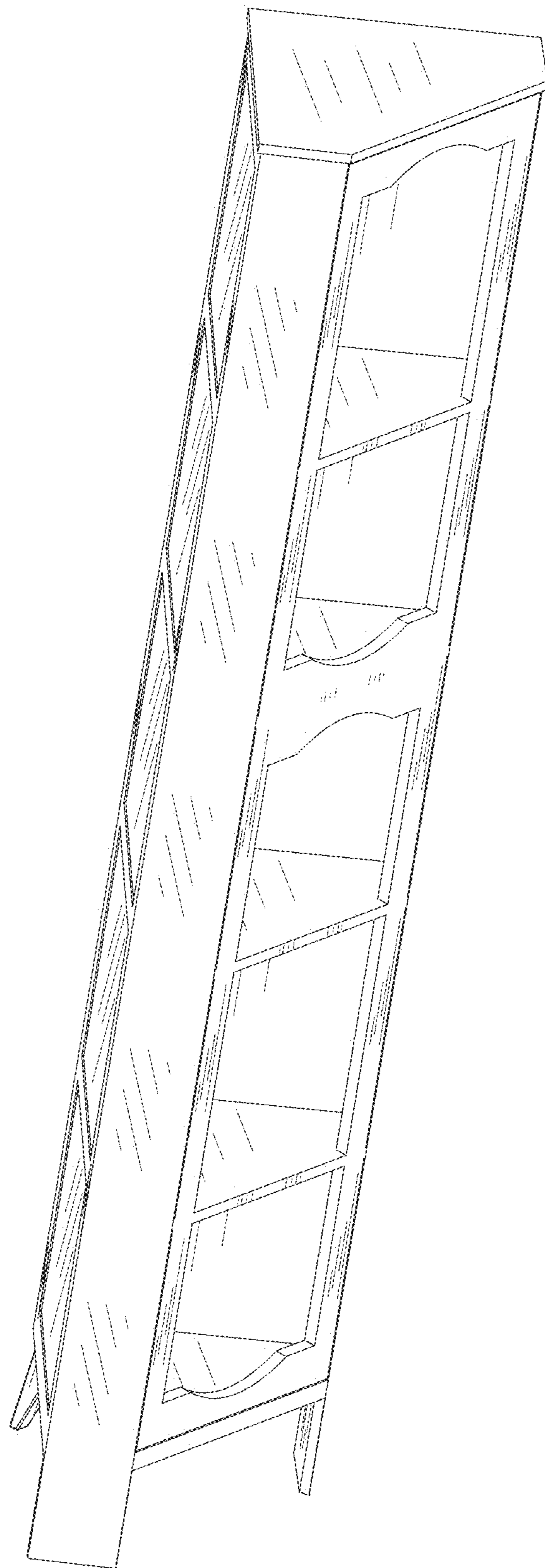


FIG. 1

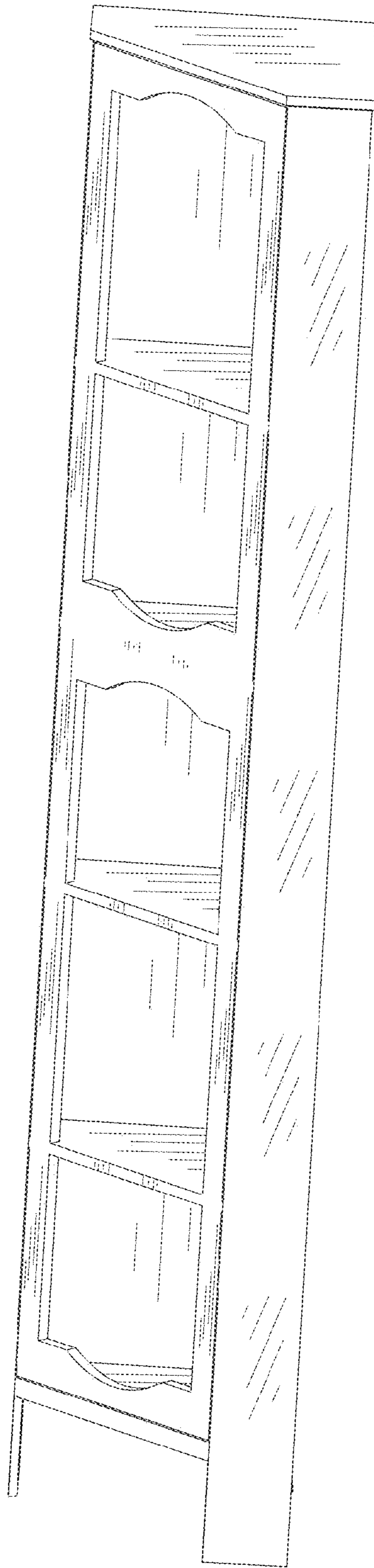


FIG. 2

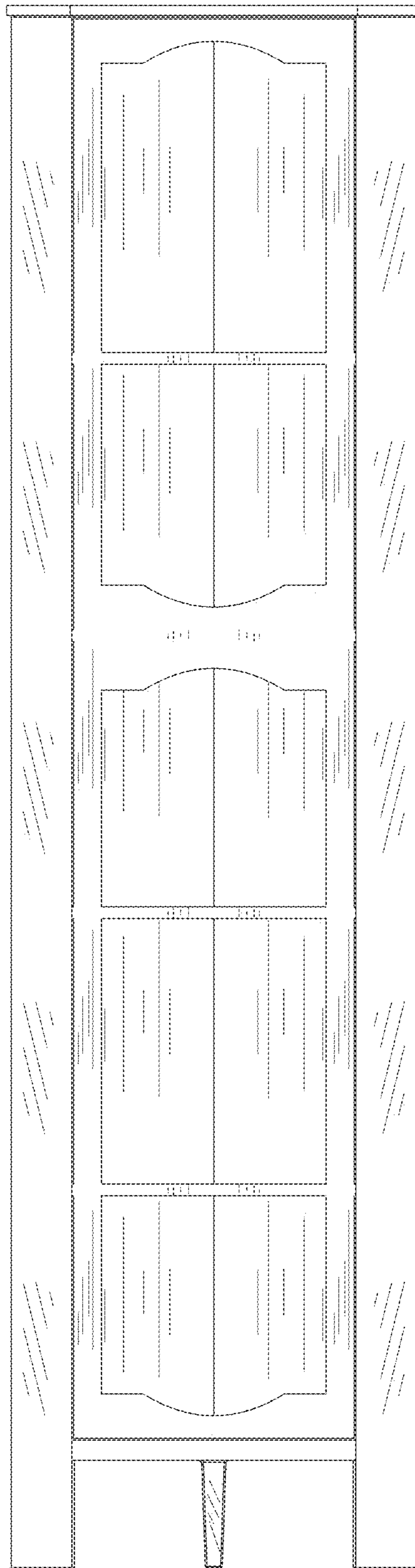


FIG. 3

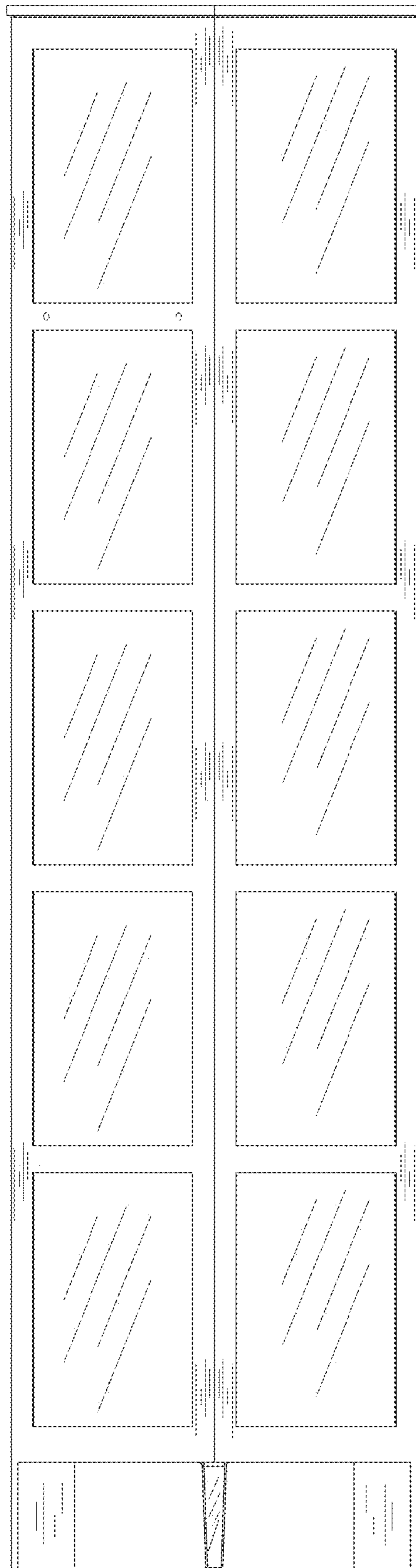


FIG. 4

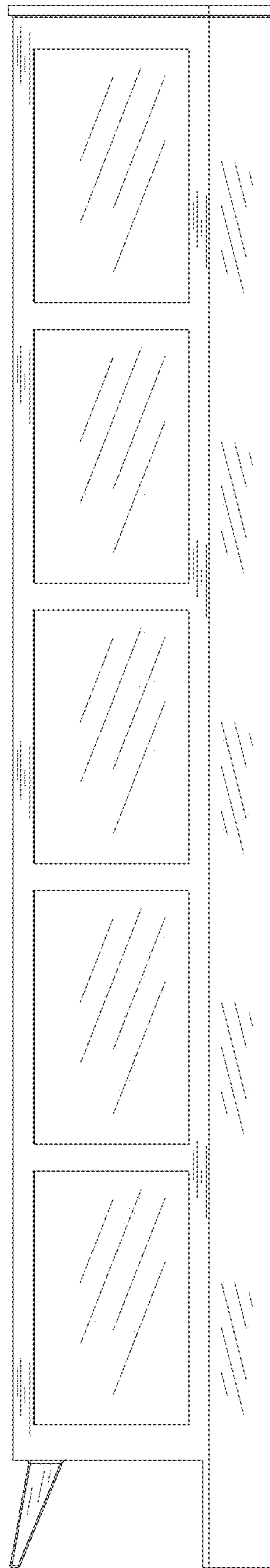


FIG. 5

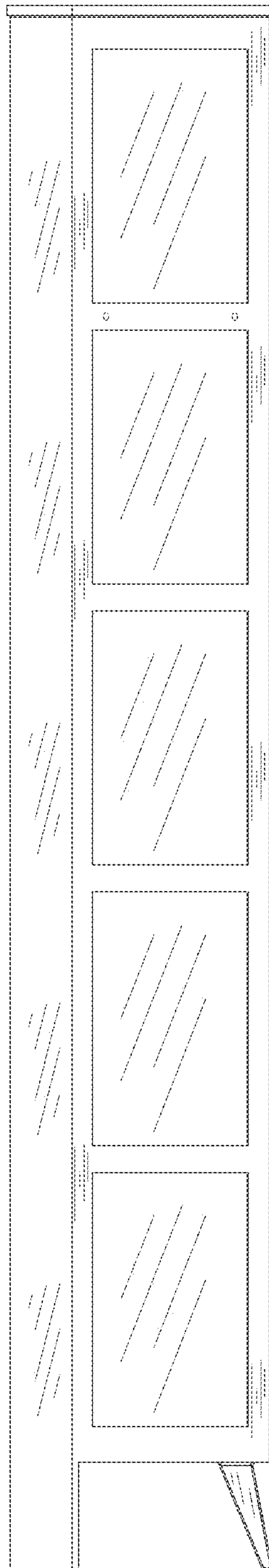


FIG. 6

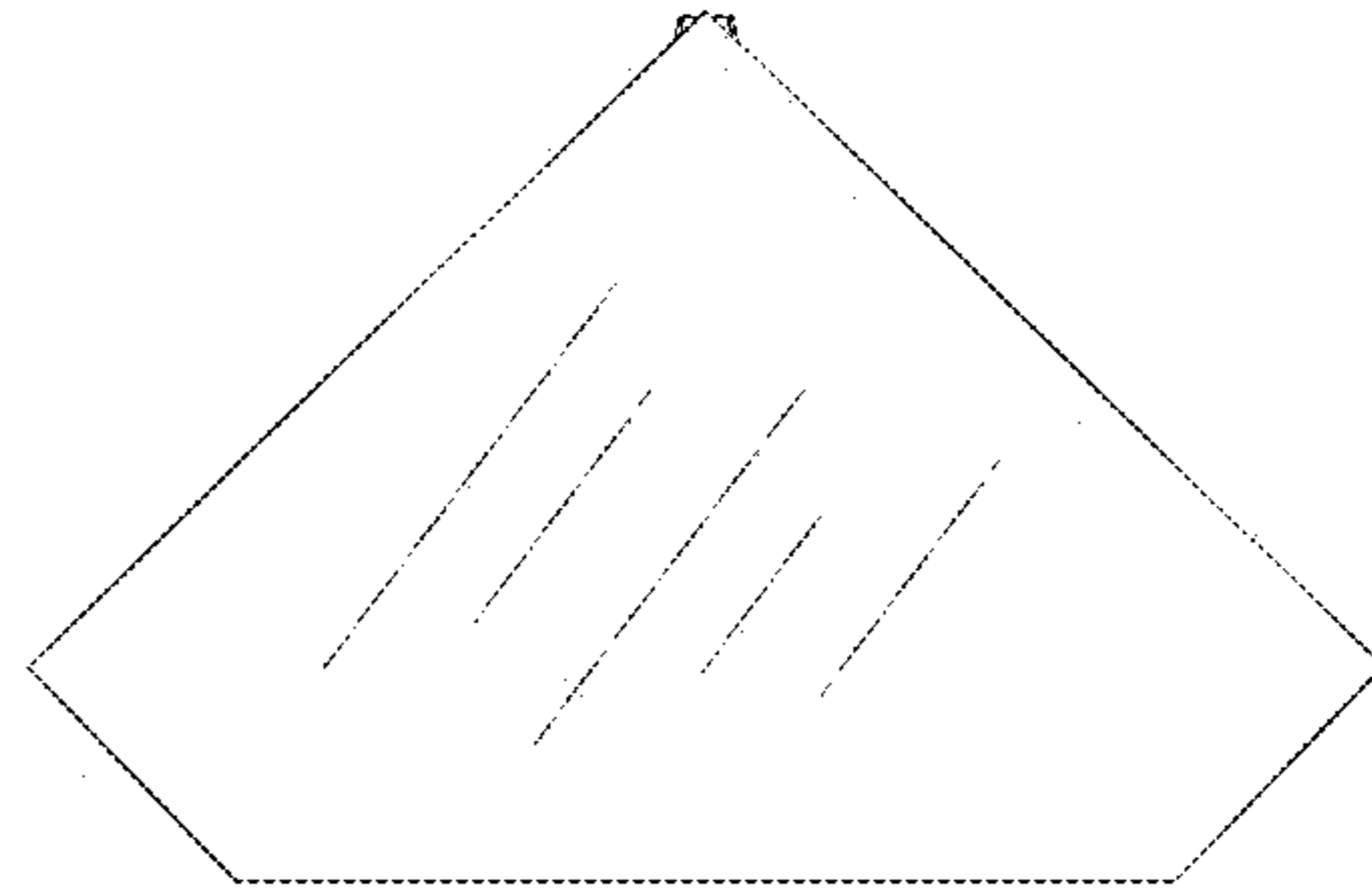


FIG. 7

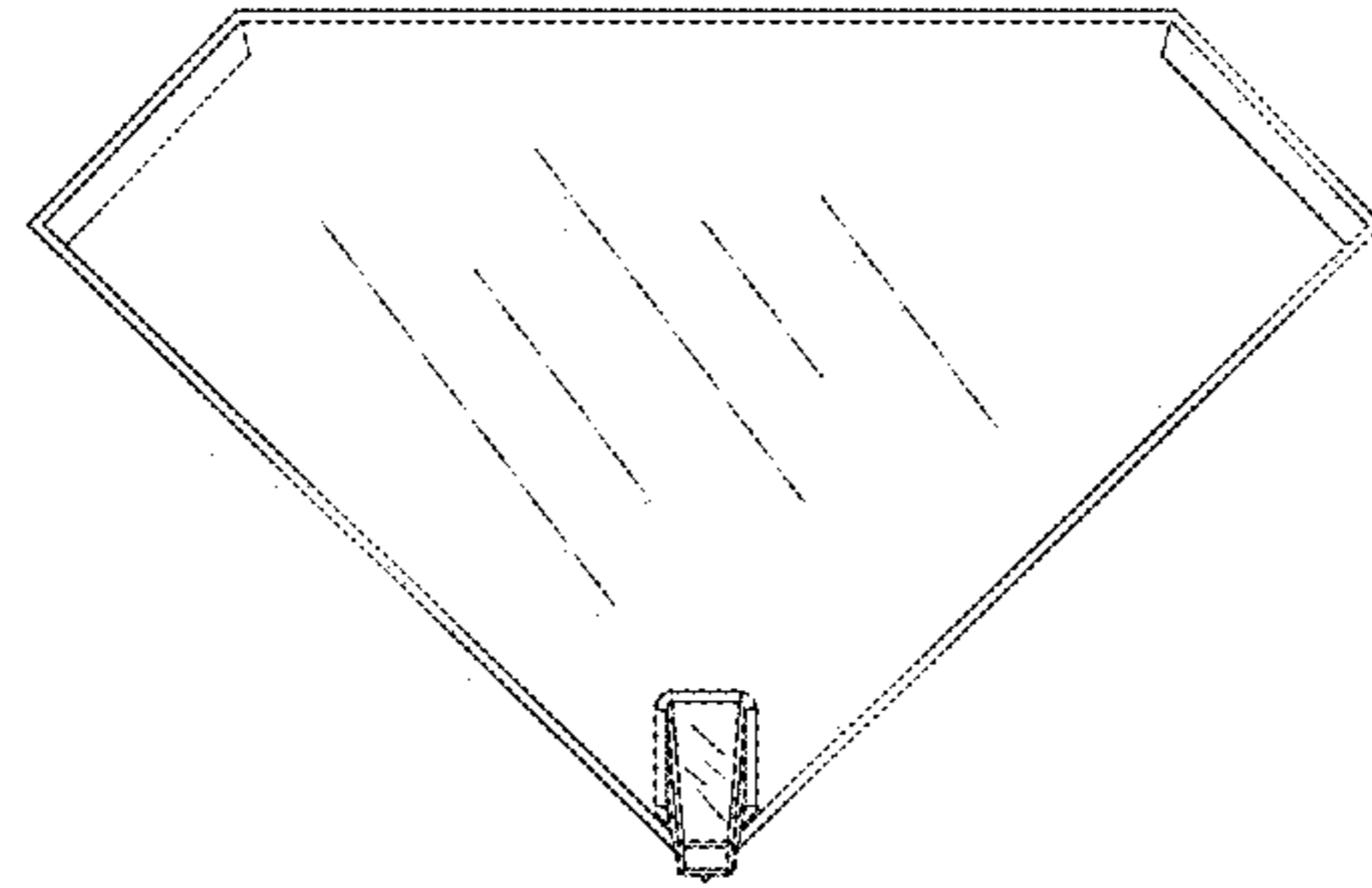


FIG. 8