



US00D971652S

(12) **United States Design Patent**
Lin

(10) **Patent No.:** **US D971,652 S**
(45) **Date of Patent:** **** Dec. 6, 2022**

- (54) **STORAGE RACK**
- (71) Applicant: **Putian Wansidandun Trading Co., Ltd.**, Putian (CN)
- (72) Inventor: **Hua Lin**, Xianyou County (CN)
- (**) Term: **15 Years**
- (21) Appl. No.: **29/842,061**
- (22) Filed: **Jun. 10, 2022**
- (51) **LOC (13) Cl.** **06-06**
- (52) **U.S. Cl.**
USPC **D6/675.1**
- (58) **Field of Classification Search**
USPC D6/672, 675, 675.1, 675.5, 681, 683;
D7/600.1, 600.4; D3/304, 307-309, 315
CPC ... A47G 47/16; A47F 5/13; A47F 7/00; A47F
5/01; A47F 5/0018; A47F 5/0081; A47B
81/00; A47B 81/04
See application file for complete search history.

D923,369 S *	6/2021	Su	D6/675.2
D937,528 S *	11/2021	Zhou	D34/21
D944,042 S *	2/2022	Chen	D6/675.2
D945,106 S *	3/2022	Gao	D34/21
D956,457 S *	7/2022	Klein	D6/675.5
D956,480 S *	7/2022	Klein	D7/600.4
D962,581 S *	8/2022	Cao	D34/21
D964,075 S *	9/2022	Zhou	D6/675.1

* cited by examiner

Primary Examiner — Kelley A Donnelly

(57) **CLAIM**

The ornamental design for a storage rack, as shown and described.

DESCRIPTION

FIG. 1 is a front and top perspective view of a storage rack, showing my new design;
 FIG. 2 is a rear and bottom perspective view thereof;
 FIG. 3 is a front elevation view thereof;
 FIG. 4 is a rear elevation view thereof;
 FIG. 5 is a left side elevation view thereof;
 FIG. 6 is a right side elevation view thereof;
 FIG. 7 is a top plan view thereof;
 FIG. 8 is a bottom plan view thereof; and,
 FIG. 9 is another perspective view thereof, shown in an alternative position.

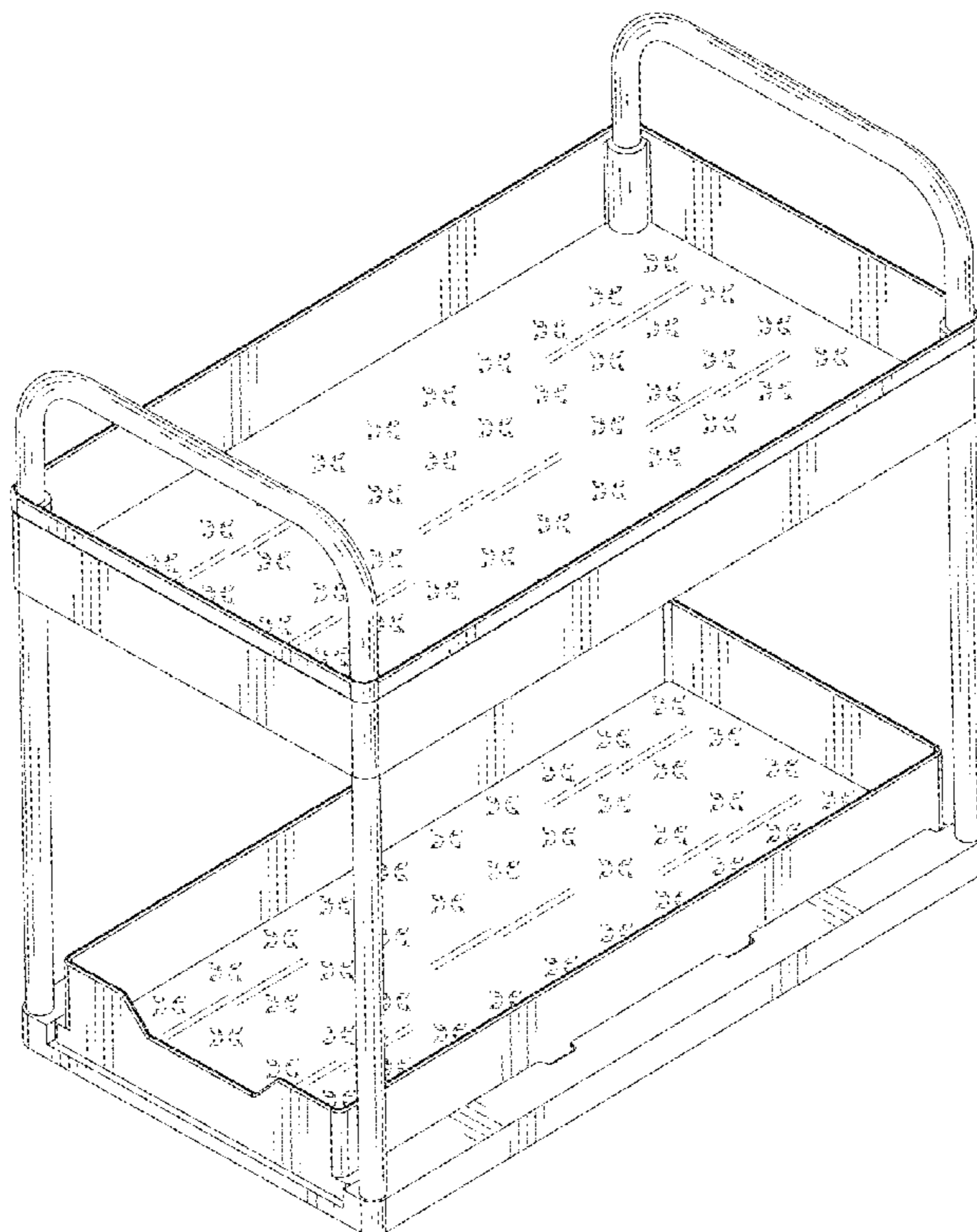
The broken lines in the figures illustrate portions of the storage rack that form no part of the claimed design. The broken lines showing of a storage bucket and a storage tray in FIG. 9 represent environmental structure that form no part of the claimed design.

(56) **References Cited**

U.S. PATENT DOCUMENTS

2,888,147 A *	5/1959	Goldberg	A47B 87/0223
				D6/570
D288,638 S *	3/1987	Jones	D6/671.1
D683,567 S *	6/2013	Hsu	D6/675.2
D696,049 S *	12/2013	Hsu	D6/675.2
D761,043 S *	7/2016	Snider	D6/675.2
D785,979 S *	5/2017	Snider	D6/675.1
D887,749 S *	6/2020	Ringfelt		
D914,408 S *	3/2021	Li	D34/21

1 Claim, 9 Drawing Sheets



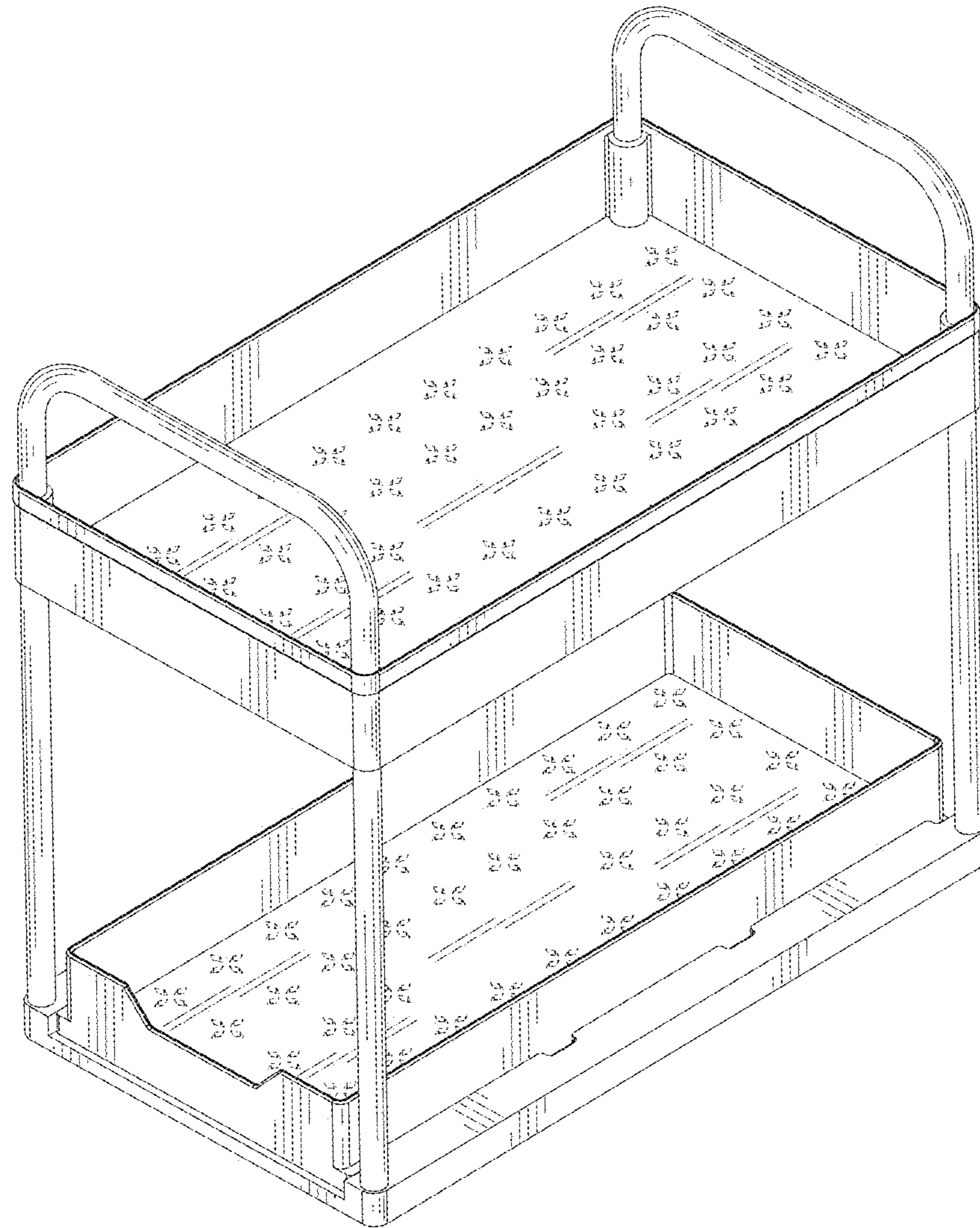


FIG. 1

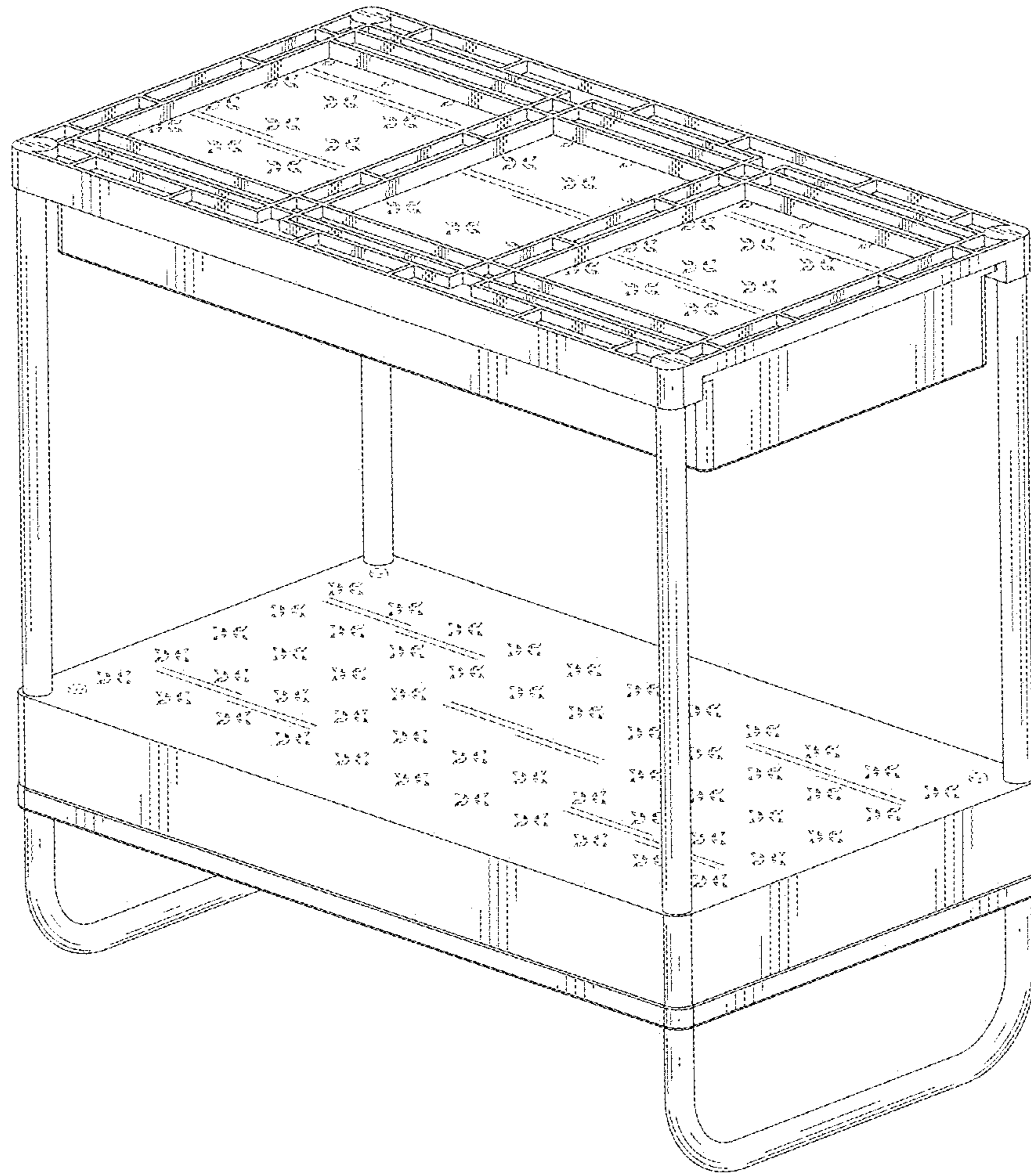


FIG. 2

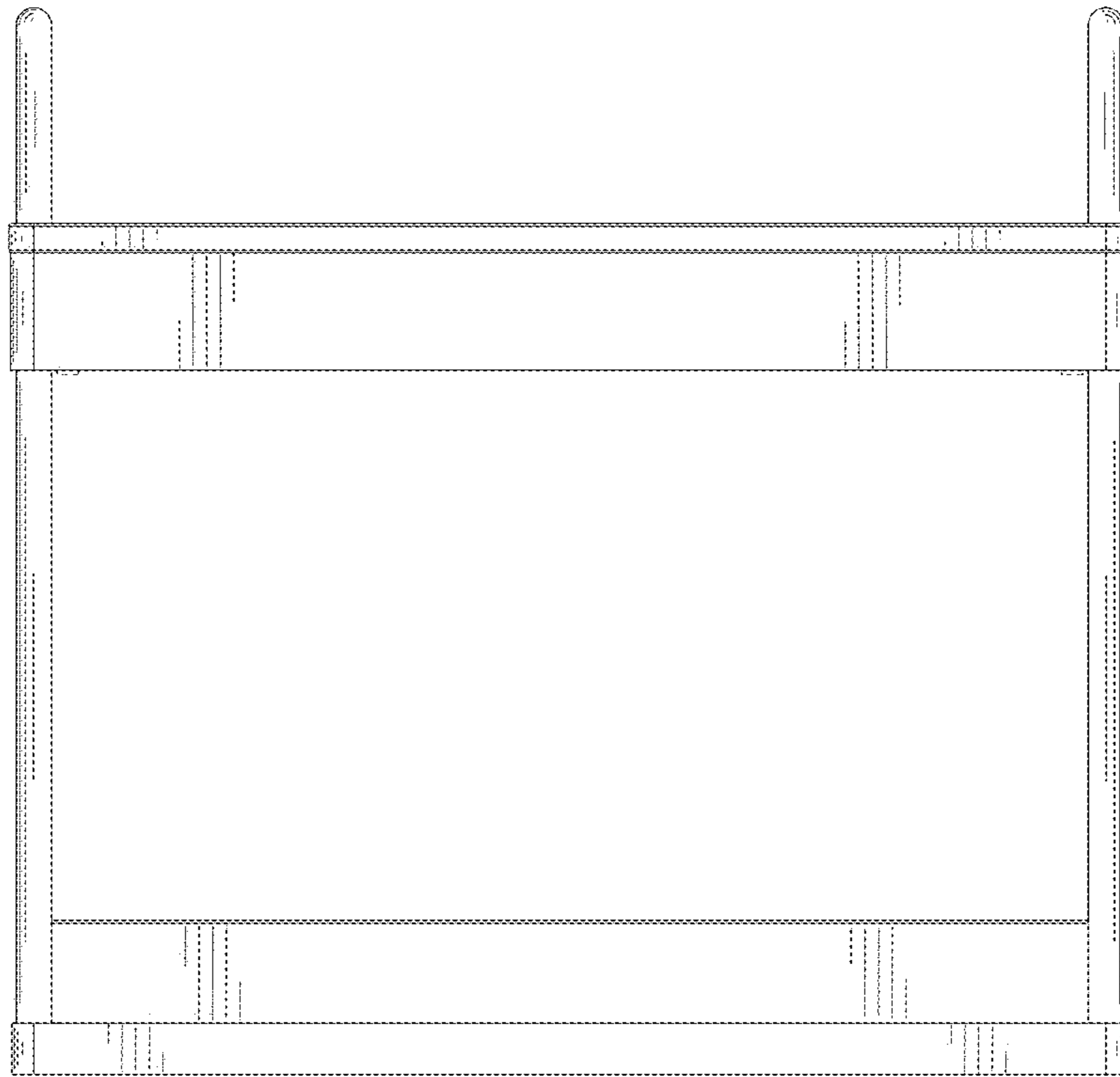


FIG. 3

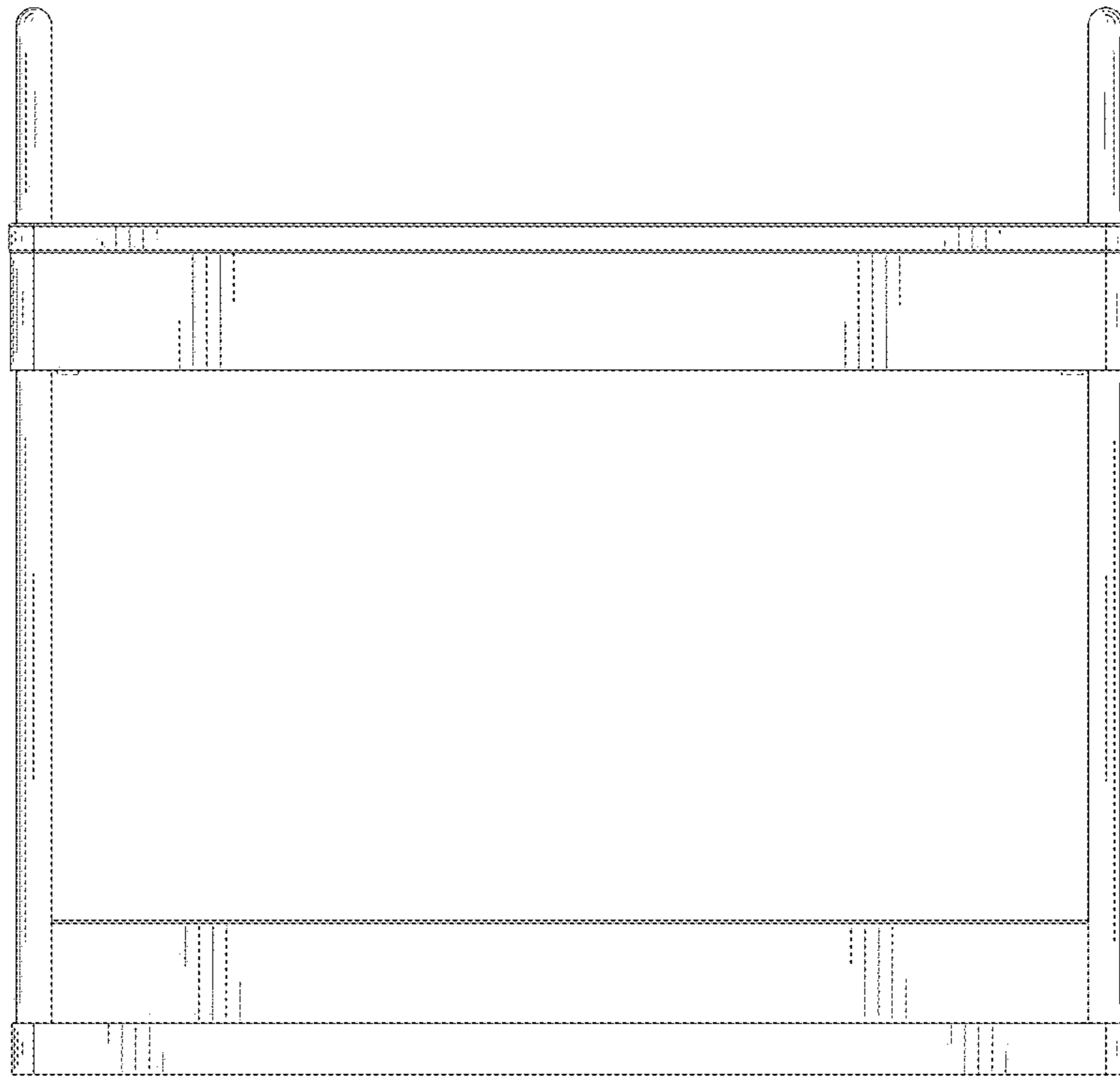


FIG. 4

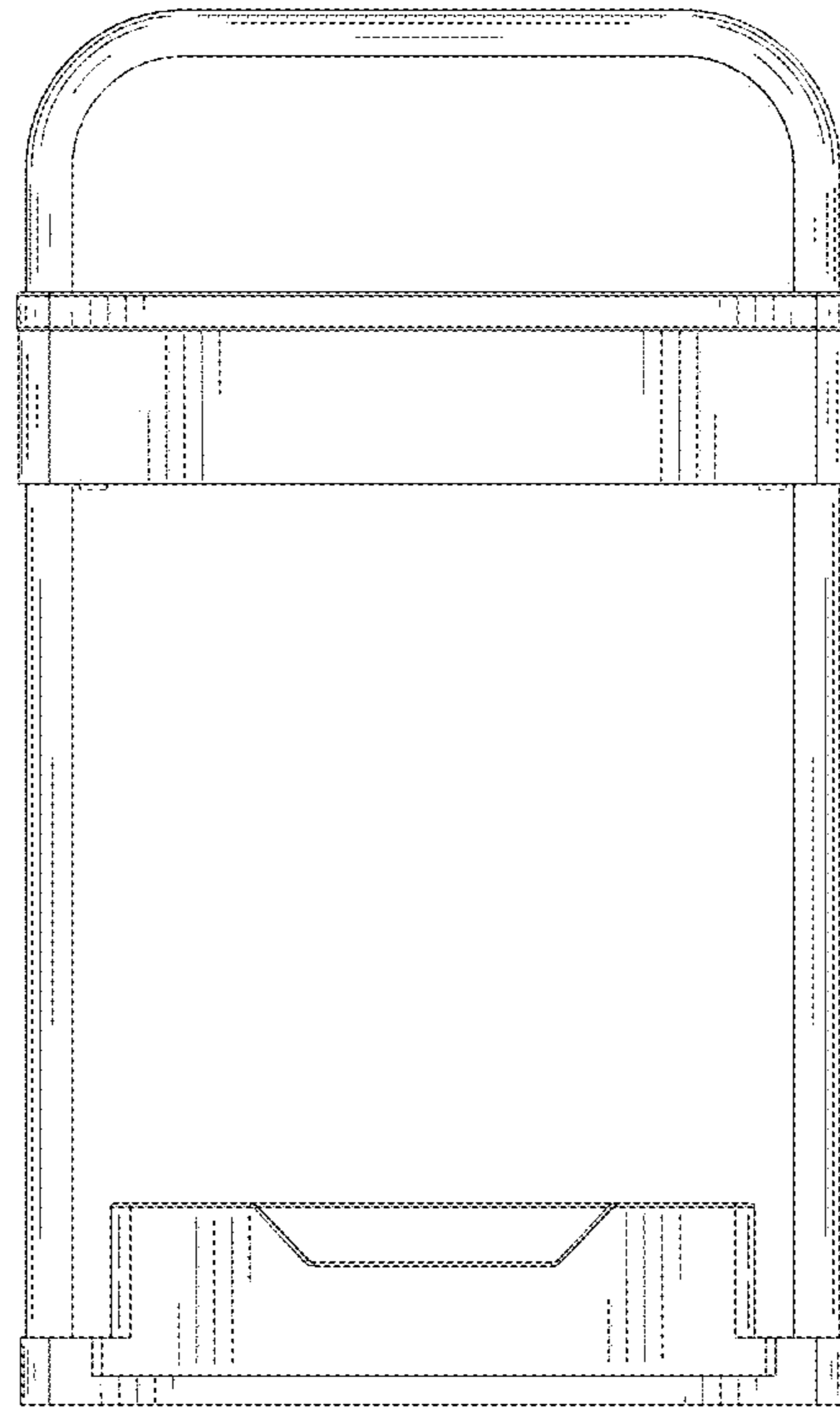


FIG. 5

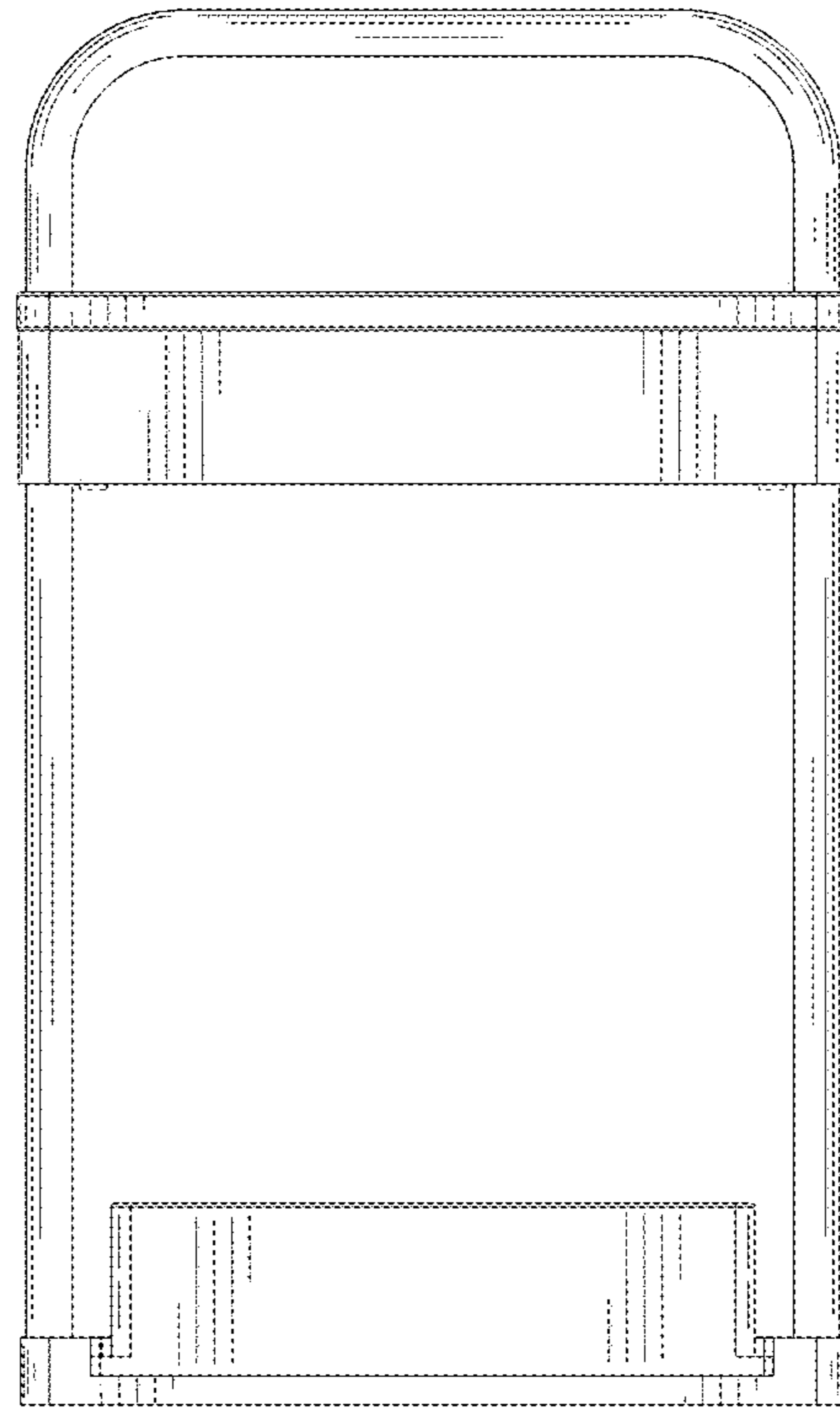


FIG. 6

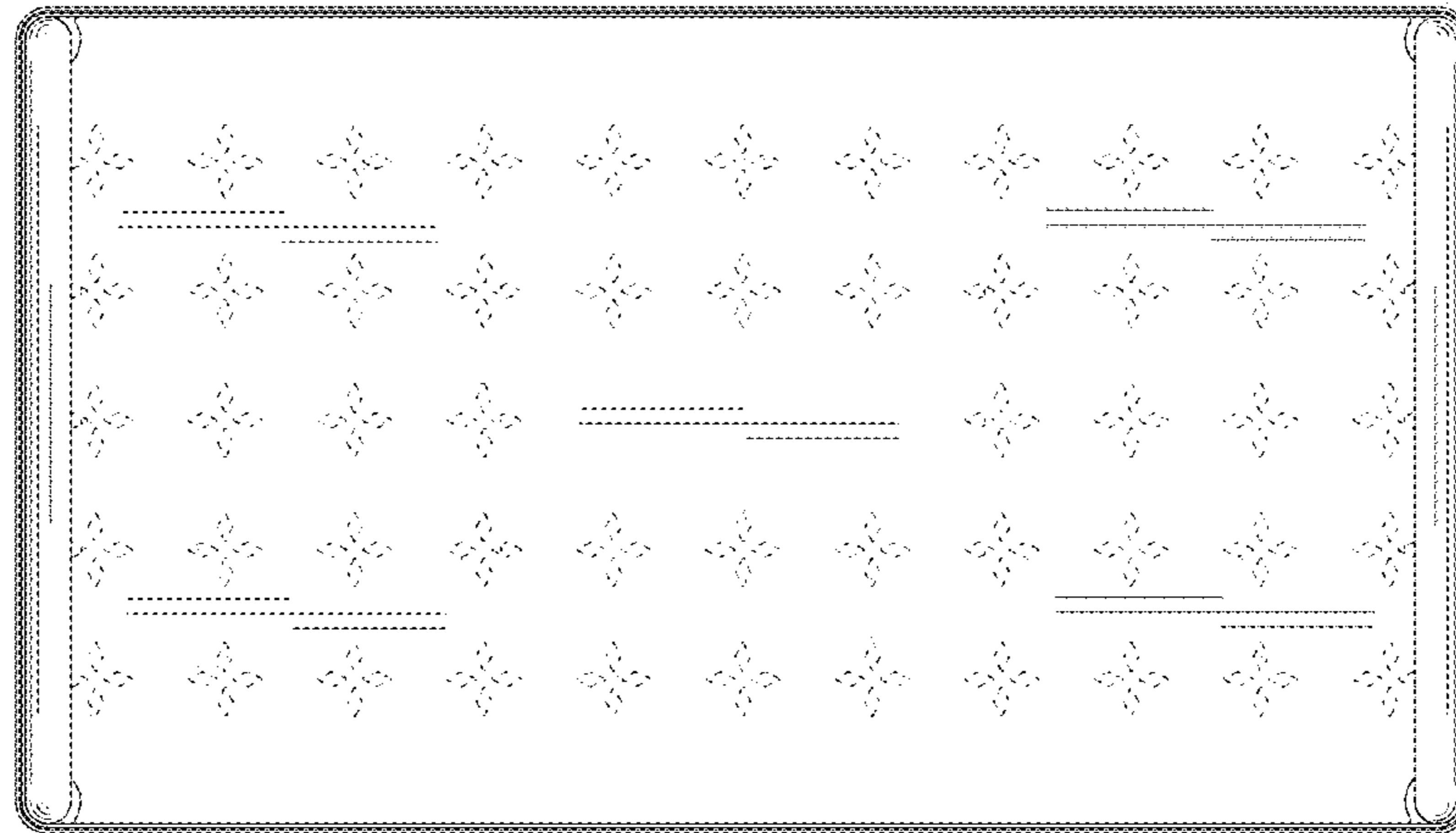


FIG. 7

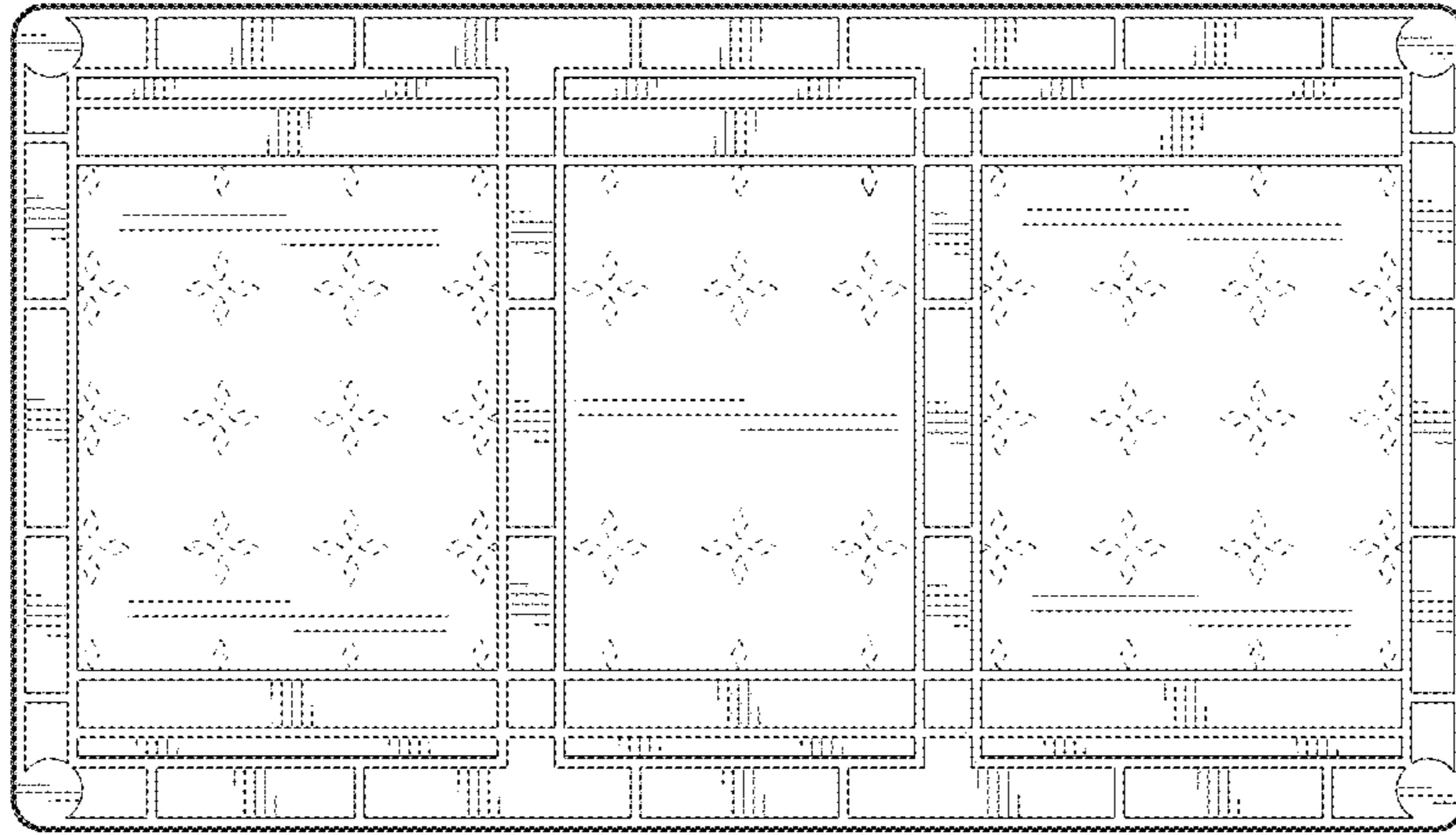


FIG. 8

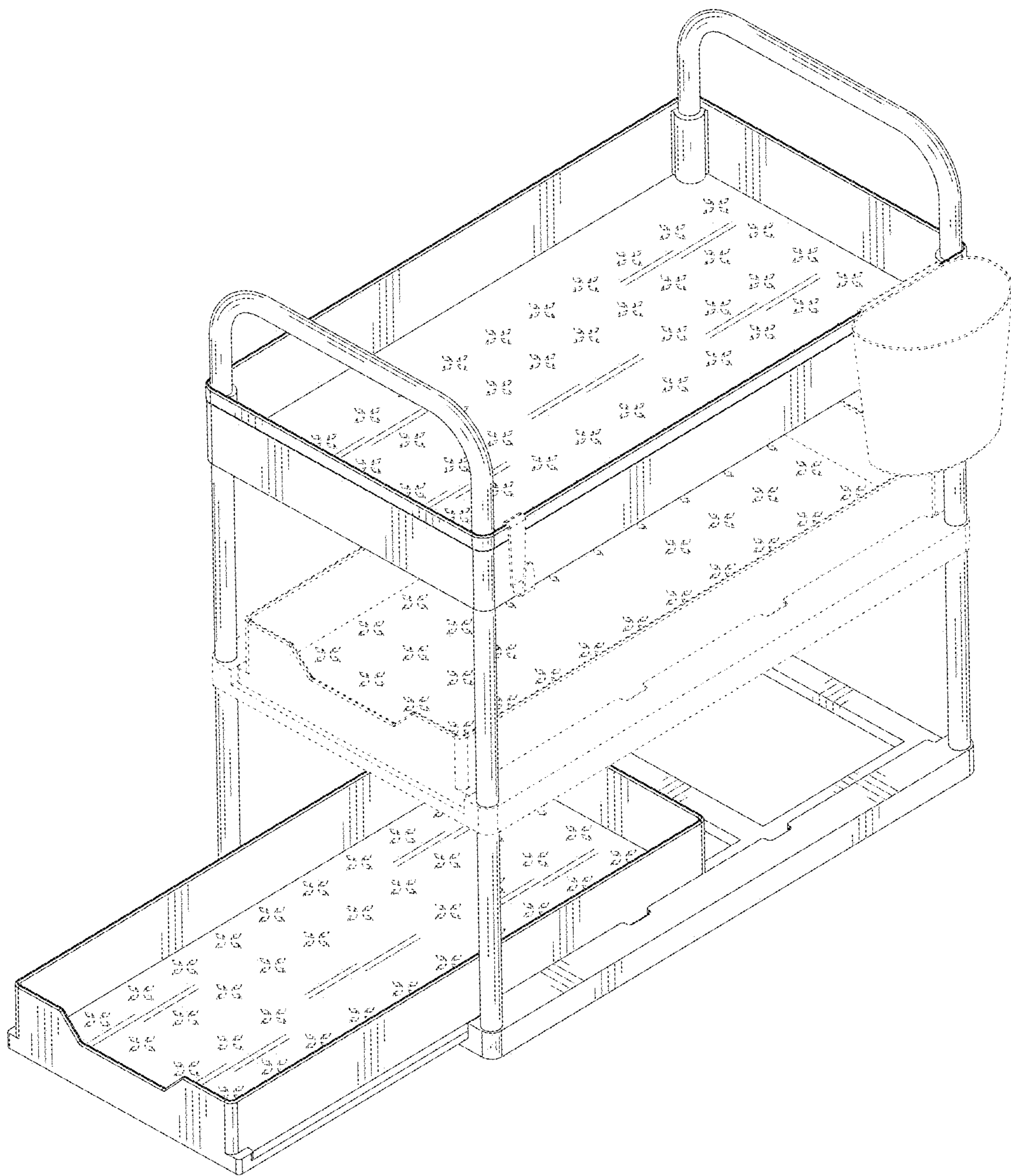


FIG. 9