



US00D971649S

(12) **United States Design Patent**  
**Xiao**

(10) **Patent No.:** **US D971,649 S**  
(45) **Date of Patent:** **\*\* Dec. 6, 2022**

(54) **TOOL CABINET**

D668,888 S \* 10/2012 Key ..... D6/671  
D811,132 S \* 2/2018 Ni ..... D6/671.1  
D850,749 S 6/2019 Waldner

(71) Applicant: **LUOYANG STEELART OFFICE  
FURNITURE CO., LTD**, Luoyang  
(CN)

(72) Inventor: **Rui Xiao**, Shaoxing (CN)

(73) Assignee: **LUOYANG STEELART OFFICE  
FURNITURE CO., LTD**, Luoyang  
(CN)

(\*\*) Term: **15 Years**

(21) Appl. No.: **29/848,552**

(22) Filed: **Aug. 3, 2022**

(51) **LOC (13) Cl.** ..... **06-04**

(52) **U.S. Cl.**  
USPC ..... **D6/671**

(58) **Field of Classification Search**  
USPC ..... D6/657, 663, 664, 671, 671.1, 671.2,  
D6/671.3, 671.4; D34/19, 25  
CPC ..... A47B 47/00; A47B 17/04; A47B 45/00;  
A47B 47/03; A47B 47/04; A47B 63/00;  
A47B 67/00

See application file for complete search history.

(56) **References Cited**

**U.S. PATENT DOCUMENTS**

D445,597 S \* 7/2001 Stone ..... D6/671.1  
D532,626 S \* 11/2006 McDiarmid ..... D6/671.1

**OTHER PUBLICATIONS**

AOBABO 35.4" Tall Rolling Storage Cabinet, Lockable Steel Garage Cabinet with Casters and 2 Adjustable Shelves (White, 35.4), amazon.com, Date First Available: Aug. 15, 2022, pp. 1 and 6, from [https://www.amazon.com/Rolling-Storage-Cabinet-Lockable-Adjustable/dp/B0B9MBSW4M/ref=psdc\\_1063306\\_t1\\_B0BGMX19K7?th=1](https://www.amazon.com/Rolling-Storage-Cabinet-Lockable-Adjustable/dp/B0B9MBSW4M/ref=psdc_1063306_t1_B0BGMX19K7?th=1) (Year: 2022).\*

\* cited by examiner

*Primary Examiner* — Mimosa De

(74) *Attorney, Agent, or Firm* — Nitin Kaushik

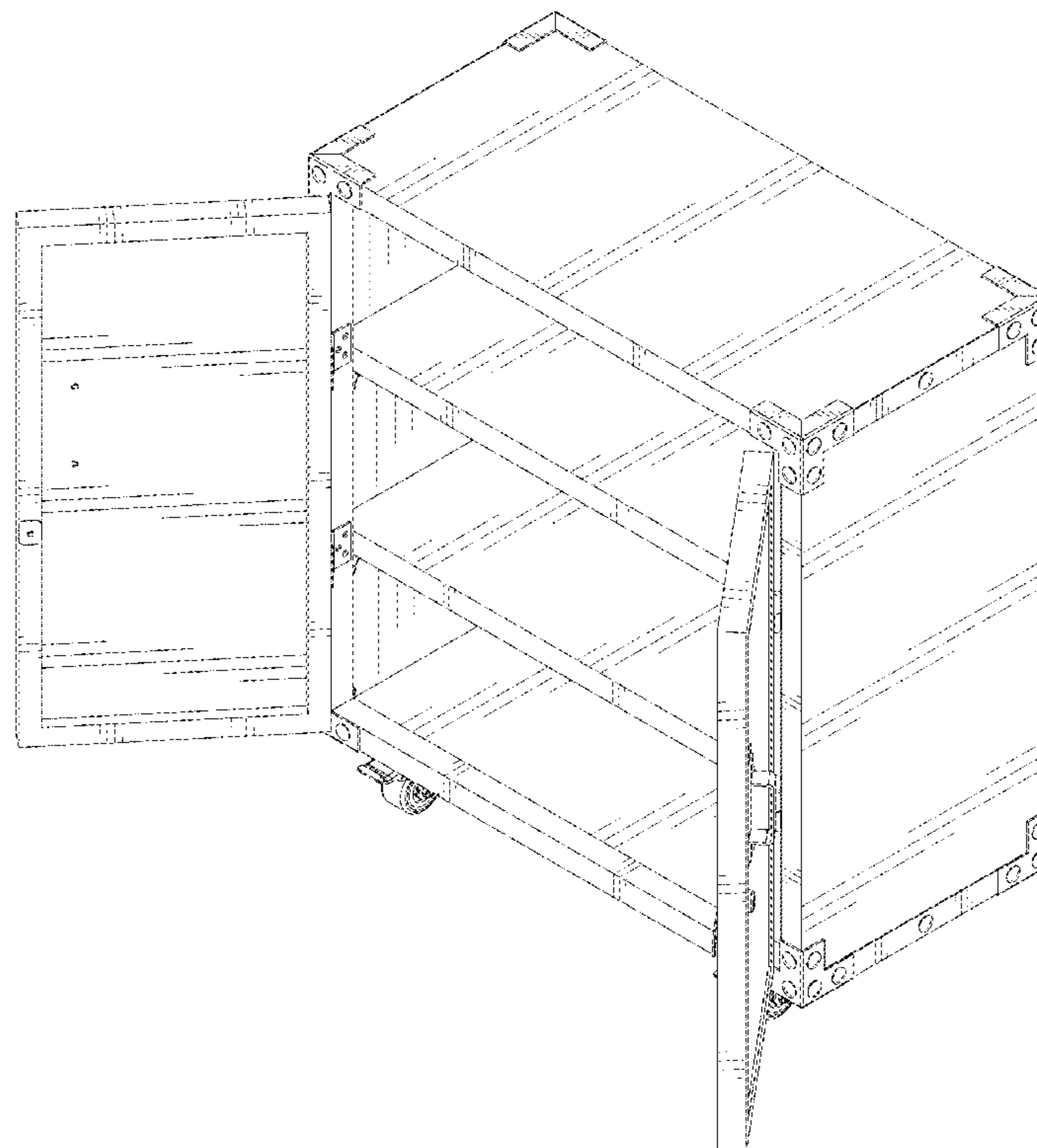
(57) **CLAIM**

The ornamental design for a tool cabinet, as shown and described.

**DESCRIPTION**

FIG. 1 is a front perspective view of a tool cabinet, showing my new design;  
FIG. 2 is a rear perspective view thereof;  
FIG. 3 is an open state view thereof;  
FIG. 4 is a front view thereof;  
FIG. 5 is a rear view thereof;  
FIG. 6 is a left side view thereof;  
FIG. 7 is a right side view thereof;  
FIG. 8 is a top view thereof; and,  
FIG. 9 is a bottom view thereof.

**1 Claim, 9 Drawing Sheets**



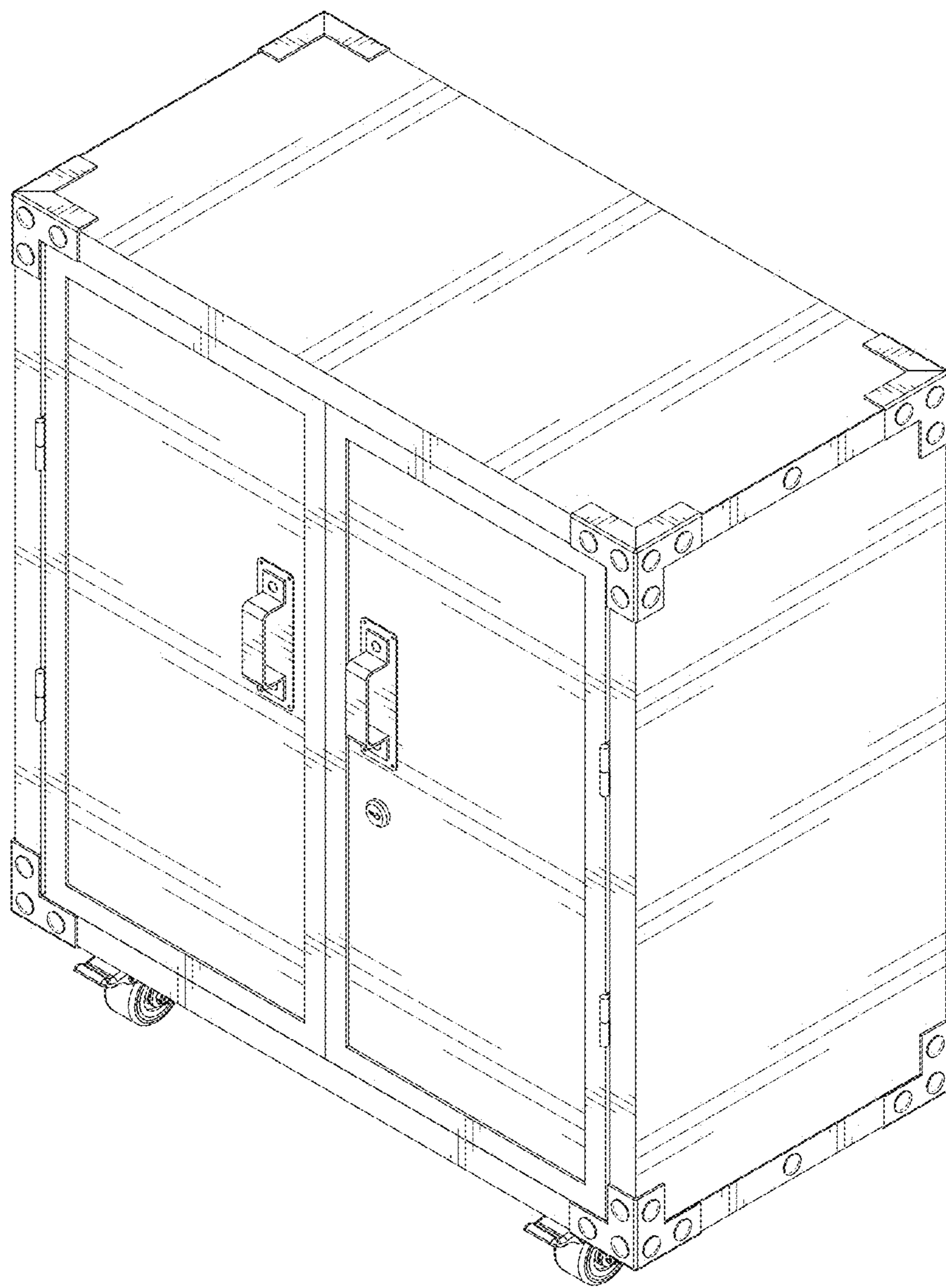


FIG. 1

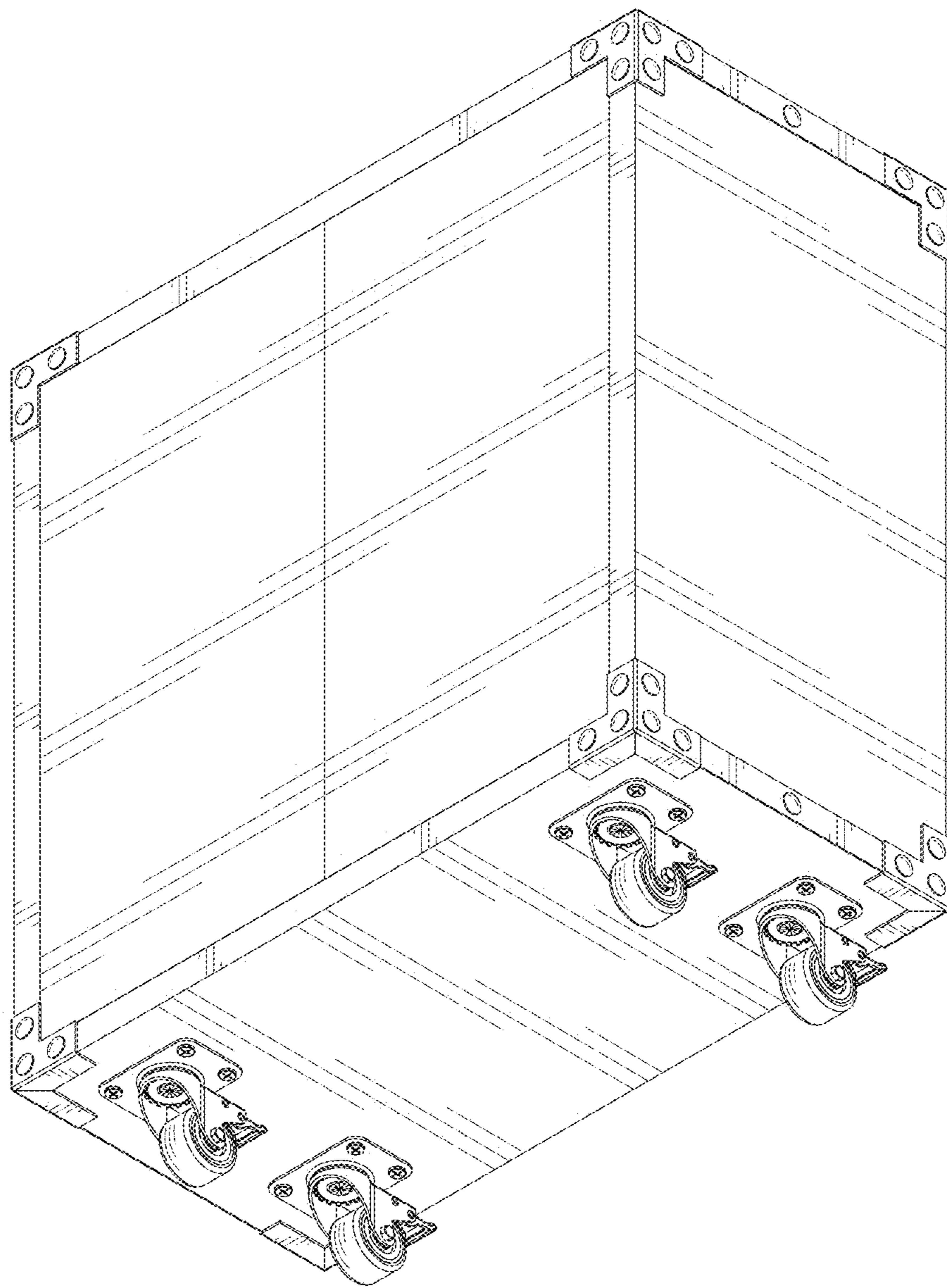


FIG. 2



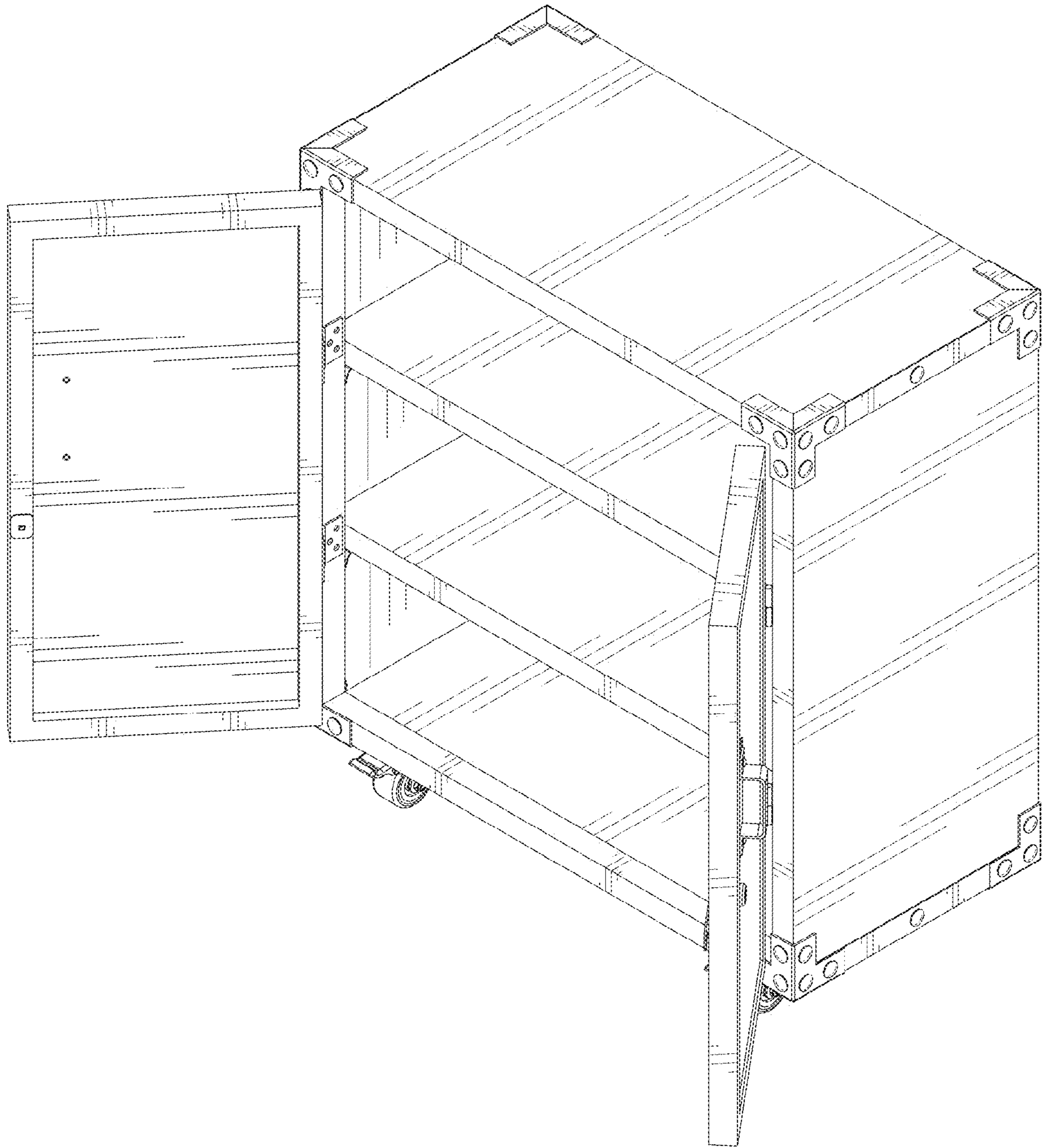


FIG. 3

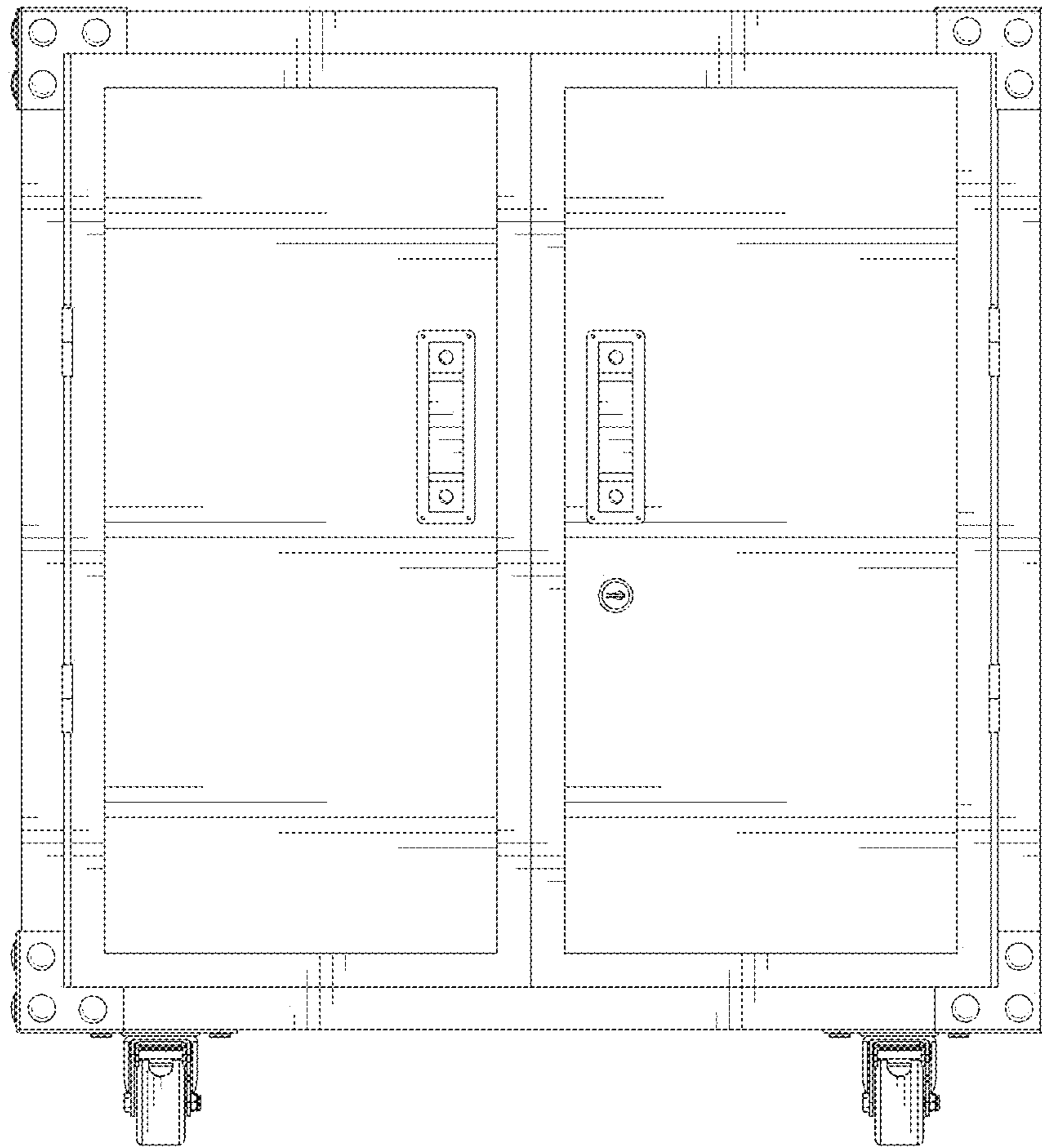


FIG. 4

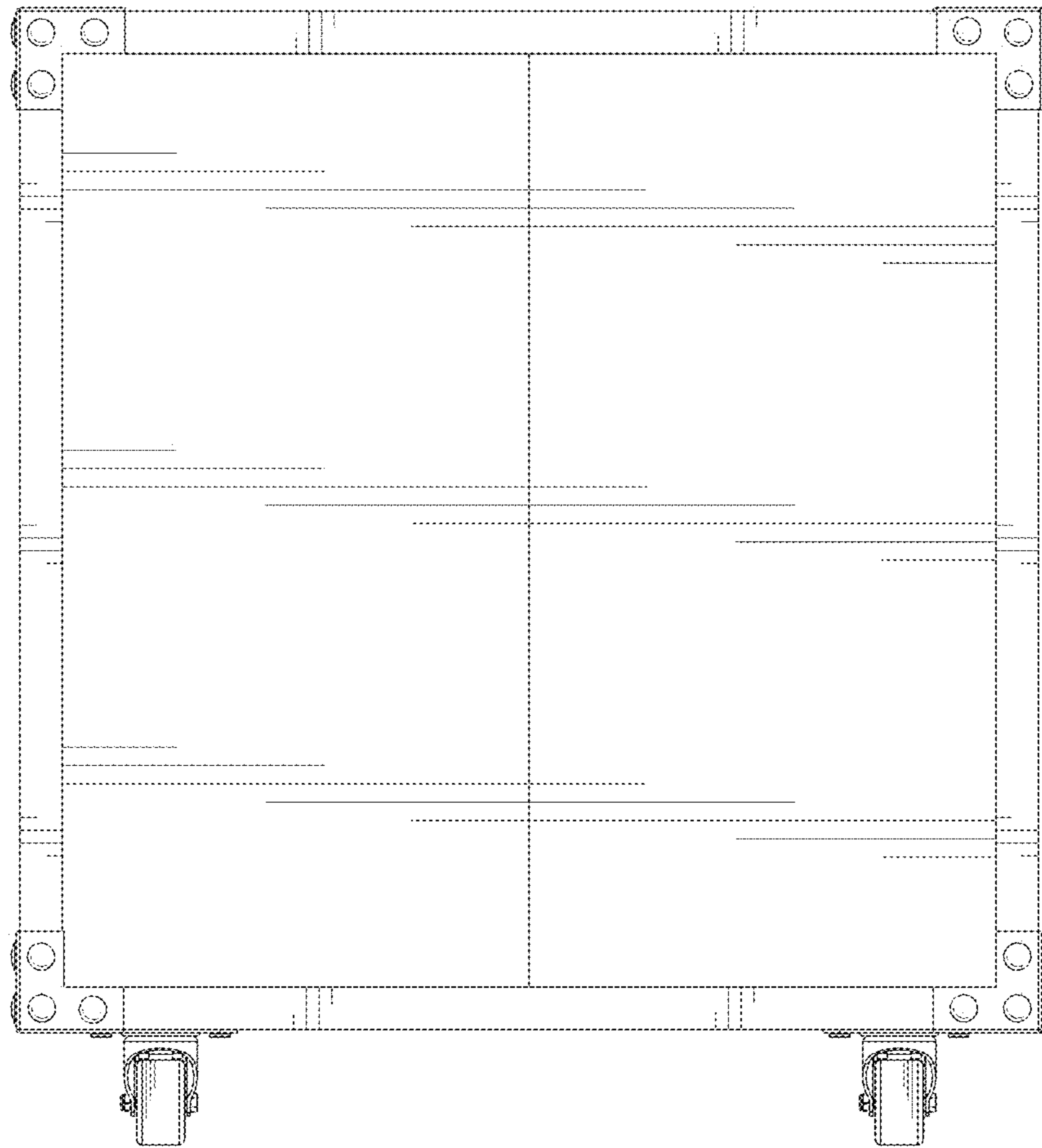


FIG. 5

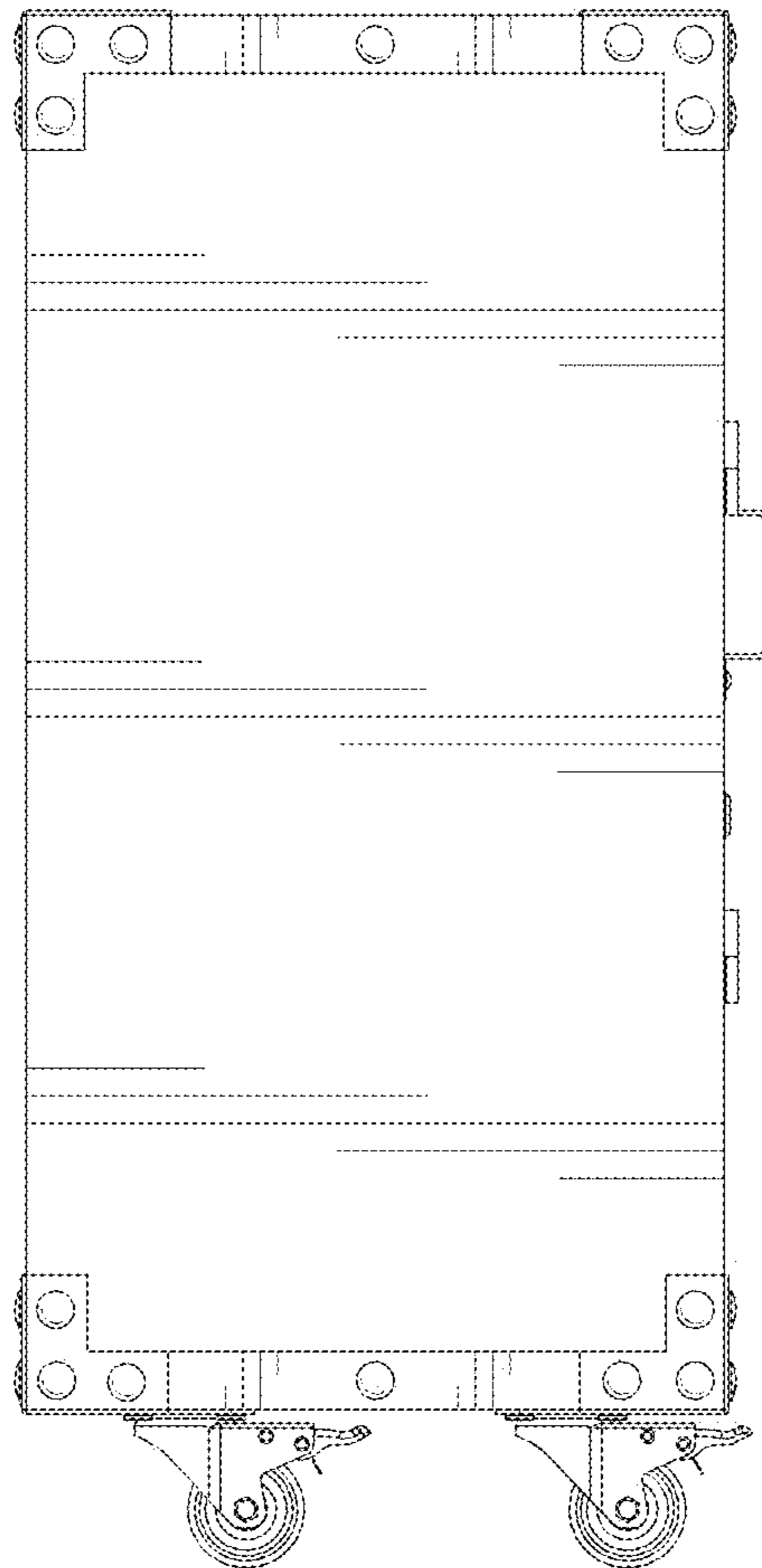


FIG. 6

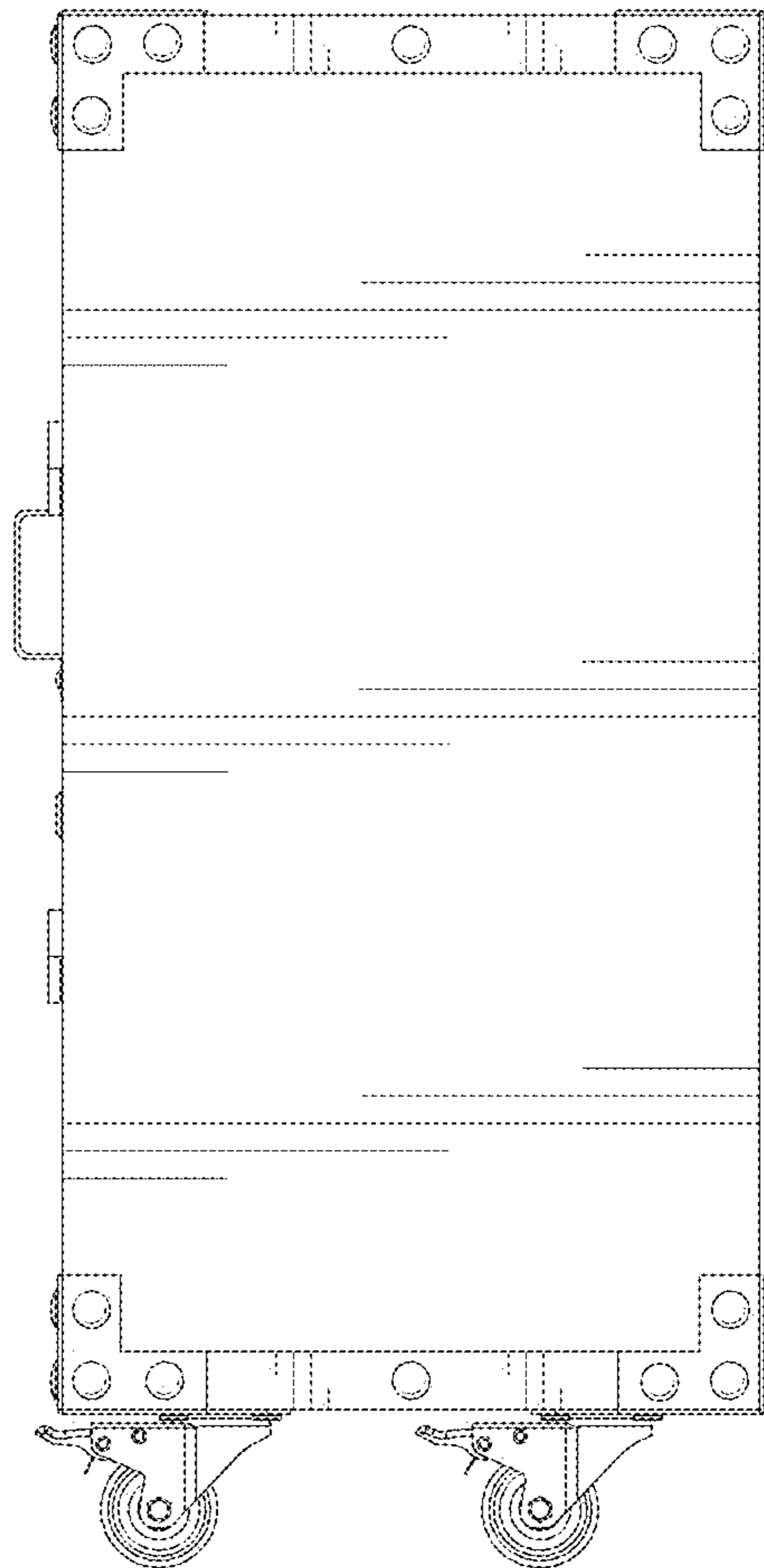


FIG. 7



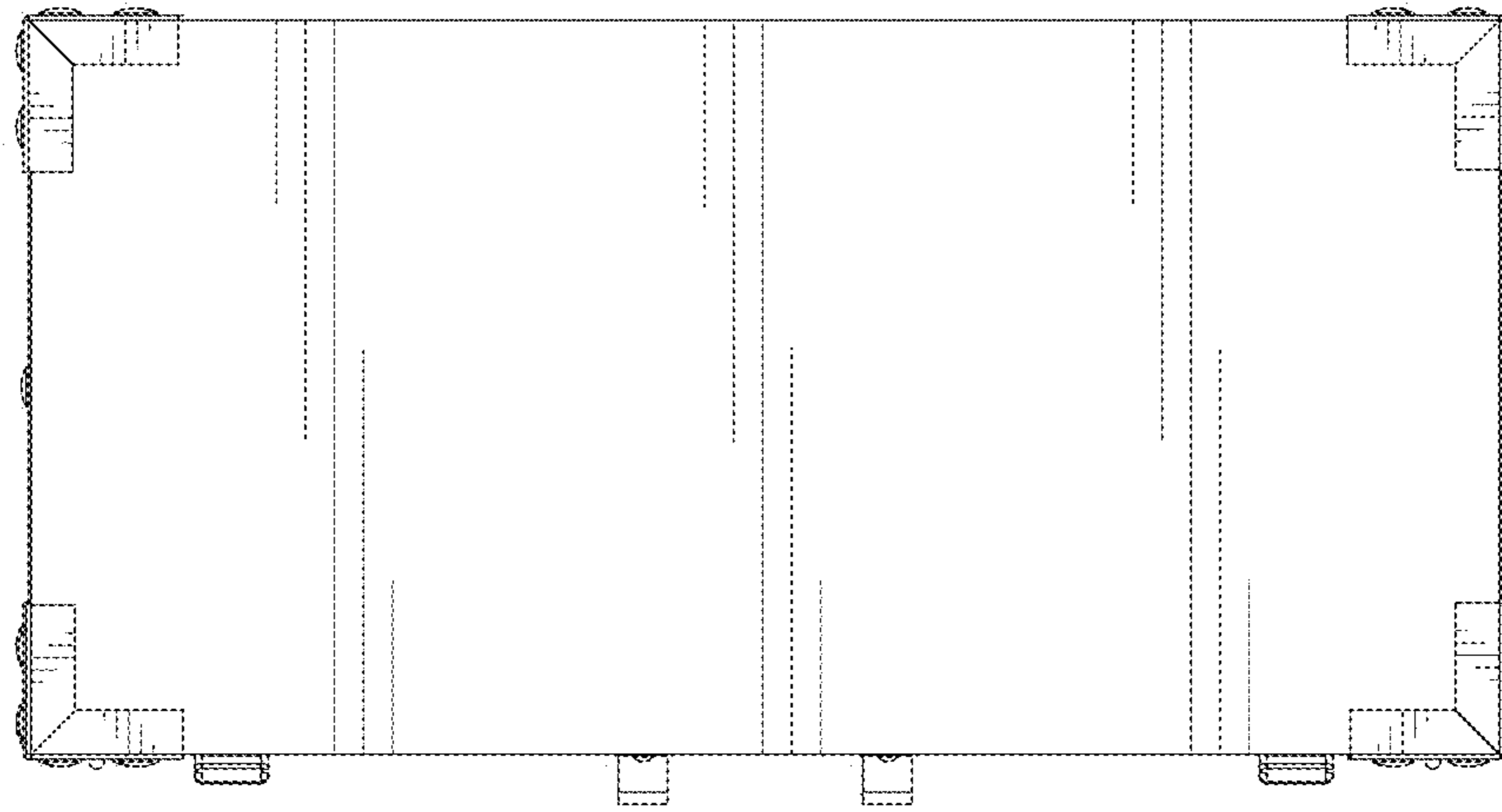


FIG. 8

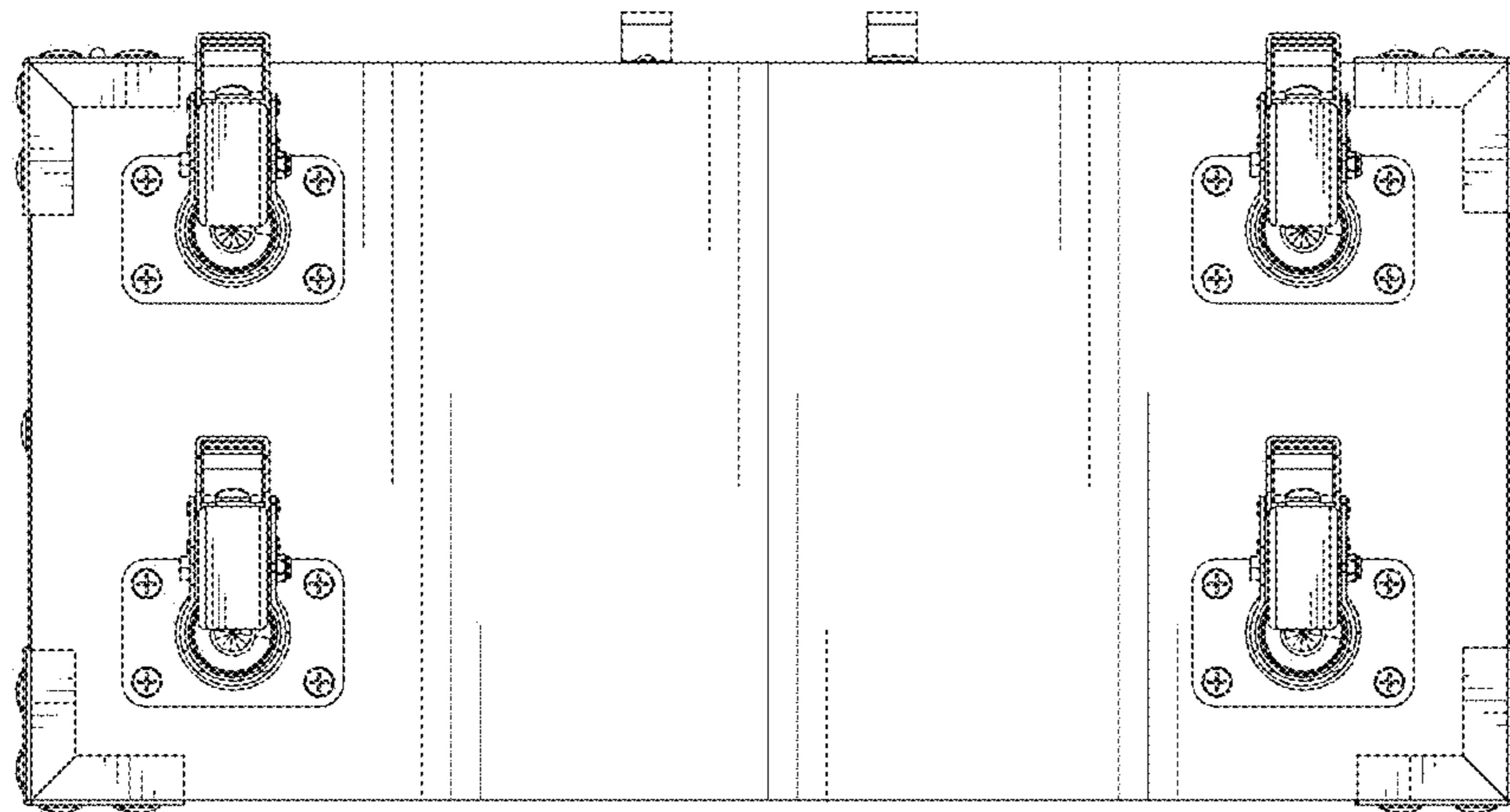


FIG. 9