



US00D971642S

(12) **United States Design Patent**
Zou

(10) **Patent No.:** **US D971,642 S**
(45) **Date of Patent:** **** Dec. 6, 2022**

(54) **STORAGE SHELF**

(71) Applicant: **Shenzhen Qinglong Electronic Commerce Co., Ltd.**, Guangdong (CN)

(72) Inventor: **Mengtian Zou**, Guangdong (CN)

(**) Term: **15 Years**

(21) Appl. No.: **29/823,083**

(22) Filed: **Jan. 14, 2022**

(51) **LOC (13) Cl.** **06-04**

(52) **U.S. Cl.**
USPC **D6/574**; D6/566

(58) **Field of Classification Search**
USPC D6/705, 705.6, 574, 566, 552-553, 567,
D6/572, 511; D3/304, 306
CPC A47B 55/02; A47B 55/00; A47J 47/16
See application file for complete search history.

(56) **References Cited**

U.S. PATENT DOCUMENTS

D214,219 S *	5/1969	Swartz	D18/49
D237,674 S *	11/1975	Seltzer	D7/409
D242,888 S *	1/1977	Mazie	D6/566
4,122,955 A *	10/1978	Celms	A47F 5/13
				211/187
D259,311 S *	5/1981	Nordlund	D6/569
D298,713 S *	11/1988	Hinderaker	D6/552
D339,942 S *	10/1993	Emalfarb	D6/513
D418,342 S *	1/2000	Von Gunten	D6/705.6
D423,857 S *	5/2000	Shea	D6/566
D427,824 S *	7/2000	Osburn	D6/705.6
D442,002 S *	5/2001	Rodack	D6/574
6,341,704 B1 *	1/2002	Michel, Jr.	A47L 19/04
				211/119.011
D473,073 S *	4/2003	Kettering	D6/572

D675,049 S *	1/2013	Goodman	D6/513
D677,094 S *	3/2013	Mansor	D6/574
D688,903 S *	9/2013	Goodman	D6/675.5
D704,474 S *	5/2014	Klein	D6/552
D707,968 S *	7/2014	Tobaruela	D3/304
D707,969 S *	7/2014	Tobaruela	D3/304
D707,970 S *	7/2014	Tobaruela	D3/304
D707,971 S *	7/2014	Tobaruela	D3/304
D713,188 S *	9/2014	Gokhale	D6/705.6
D827,927 S *	9/2018	Tokko	D28/73
D828,624 S *	9/2018	Tokko	D28/73
D917,201 S *	4/2021	Dittrich	D32/55
D917,921 S *	5/2021	Dittrich	D32/55
D918,616 S	5/2021	Zheng		

* cited by examiner

Primary Examiner — Nathan M Johnston

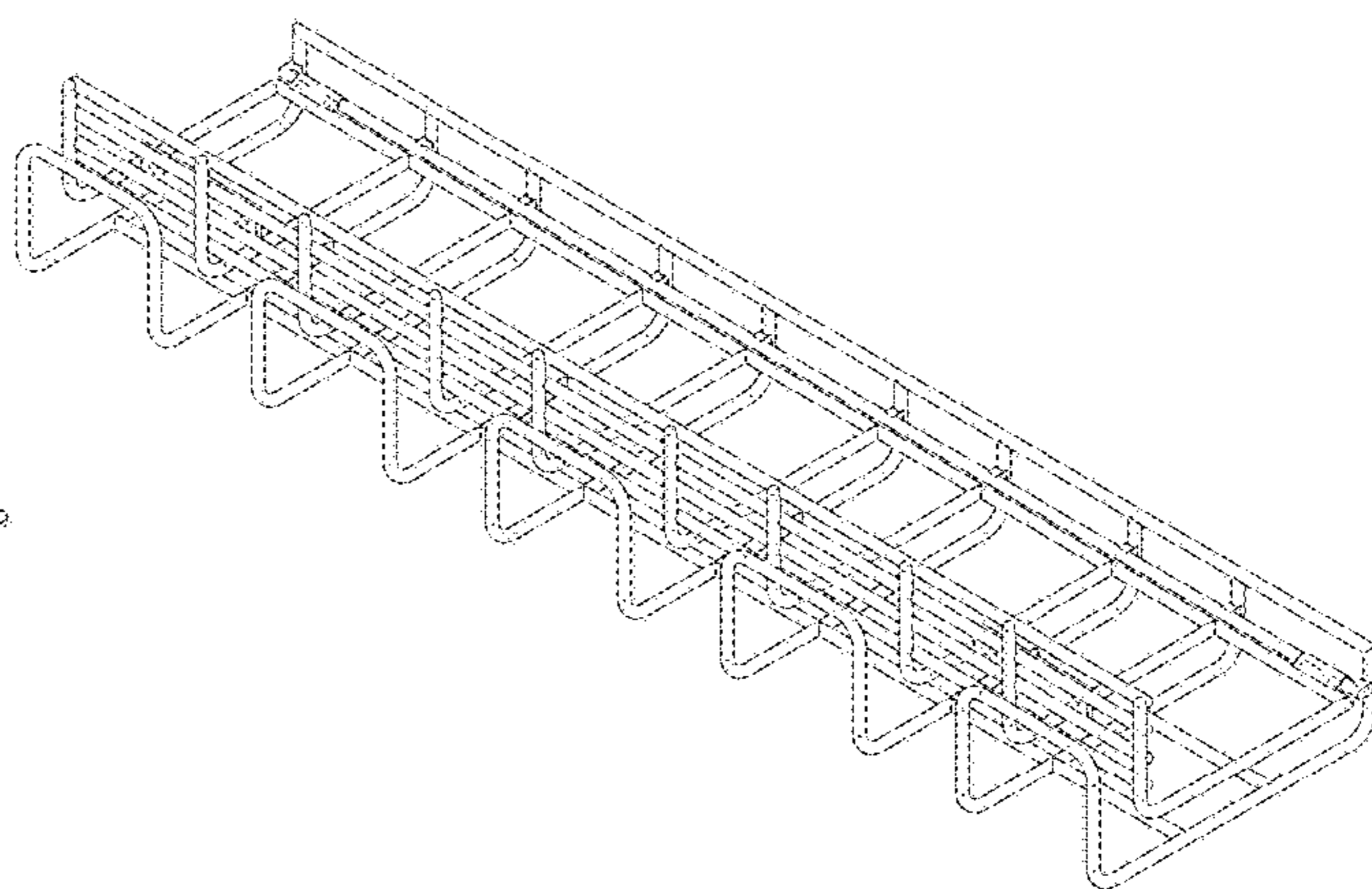
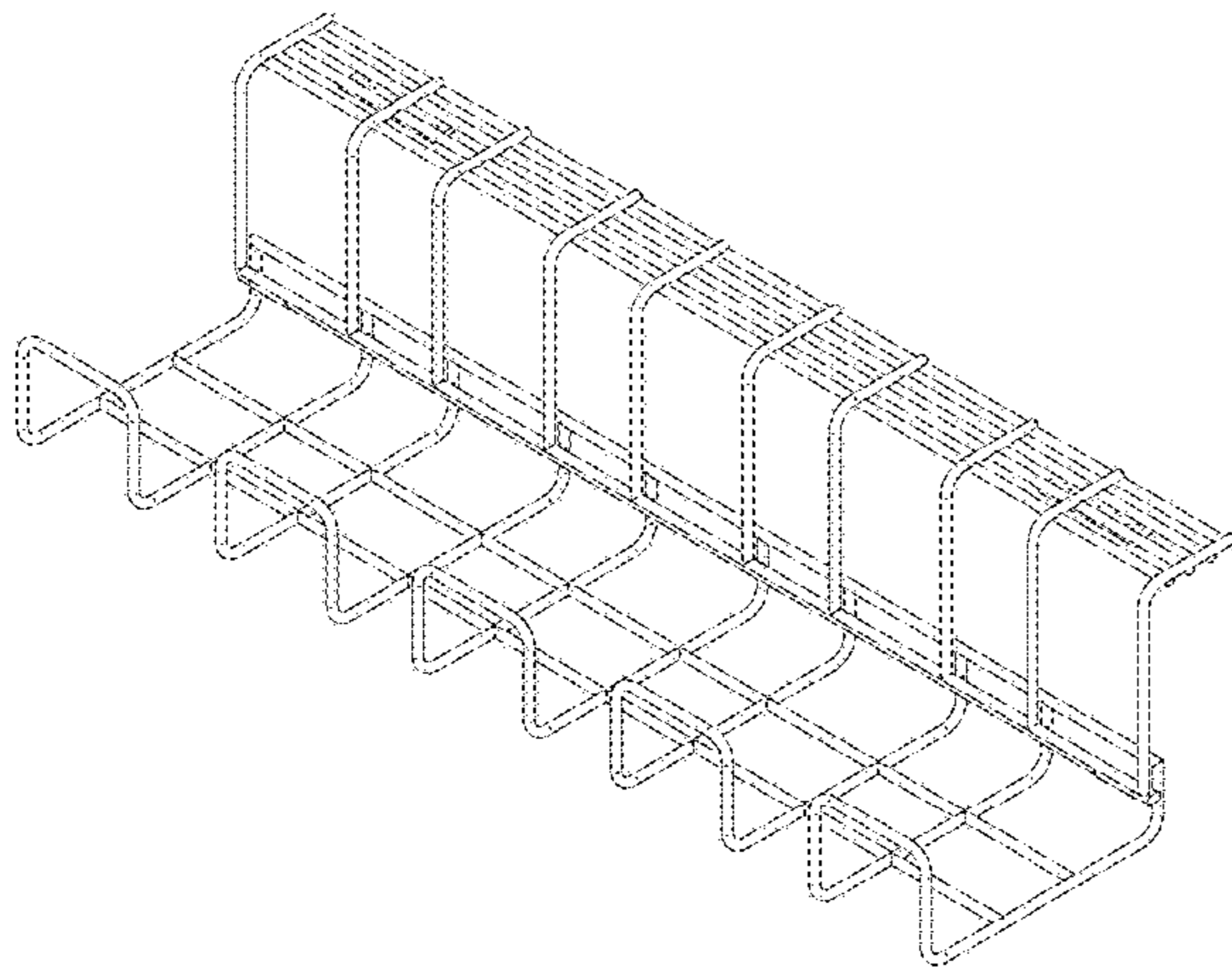
(57) **CLAIM**

The ornamental design for a storage shelf, as shown and described.

DESCRIPTION

FIG. 1 is a front and top perspective view of a storage shelf, showing my new design;
 FIG. 2 is a rear and bottom perspective view thereof;
 FIG. 3 is a front elevation view thereof;
 FIG. 4 is a rear elevation view thereof;
 FIG. 5 is a left side elevation view thereof;
 FIG. 6 is a right side elevation view thereof;
 FIG. 7 is a top plan view thereof;
 FIG. 8 is a bottom plan view thereof; and,
 FIG. 9 is another perspective view thereof, shown in an alternative position.
 The broken lines in the figures illustrate portions of the storage shelf that form no part of the claimed design.

1 Claim, 9 Drawing Sheets



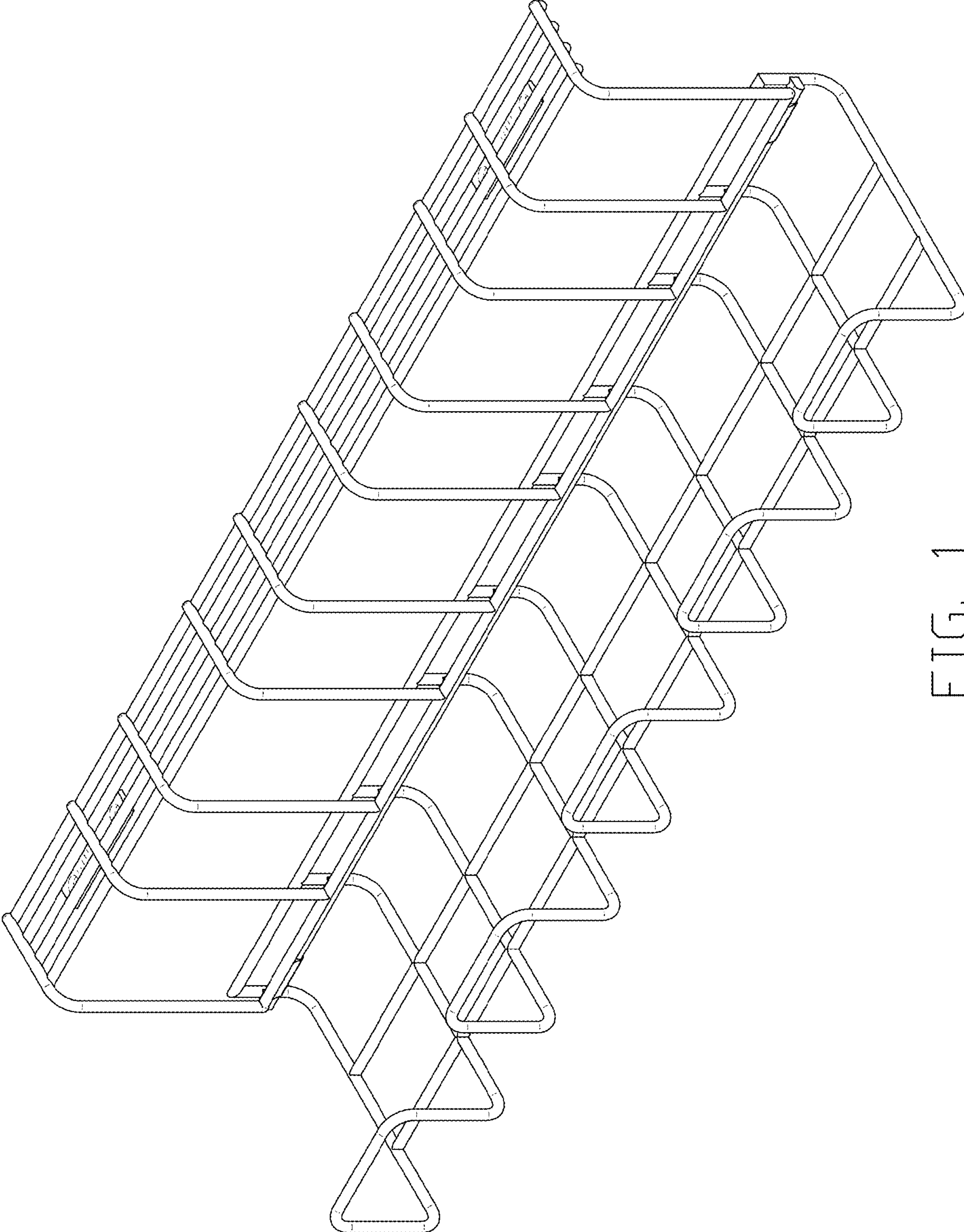


FIG. 1

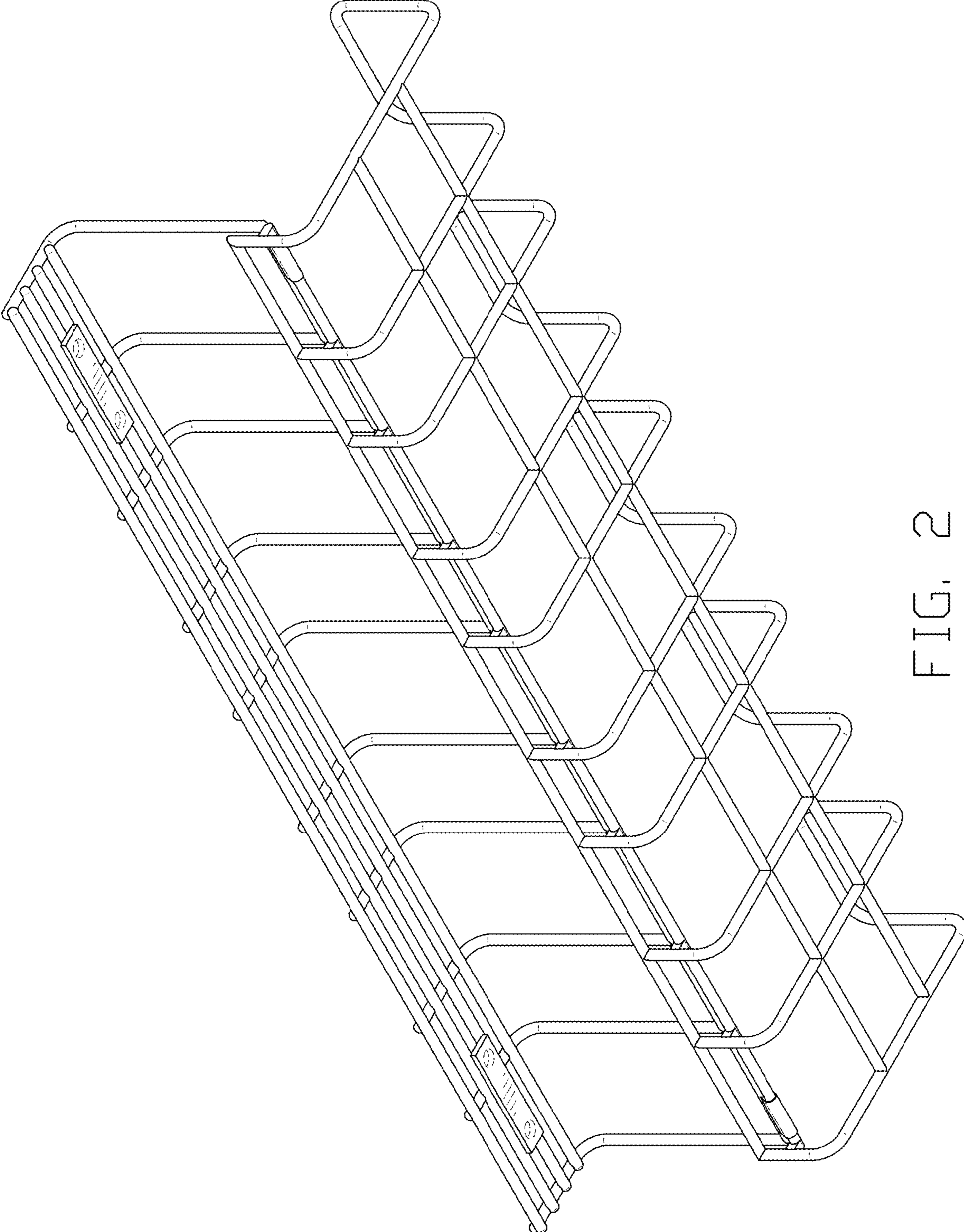


FIG. 2

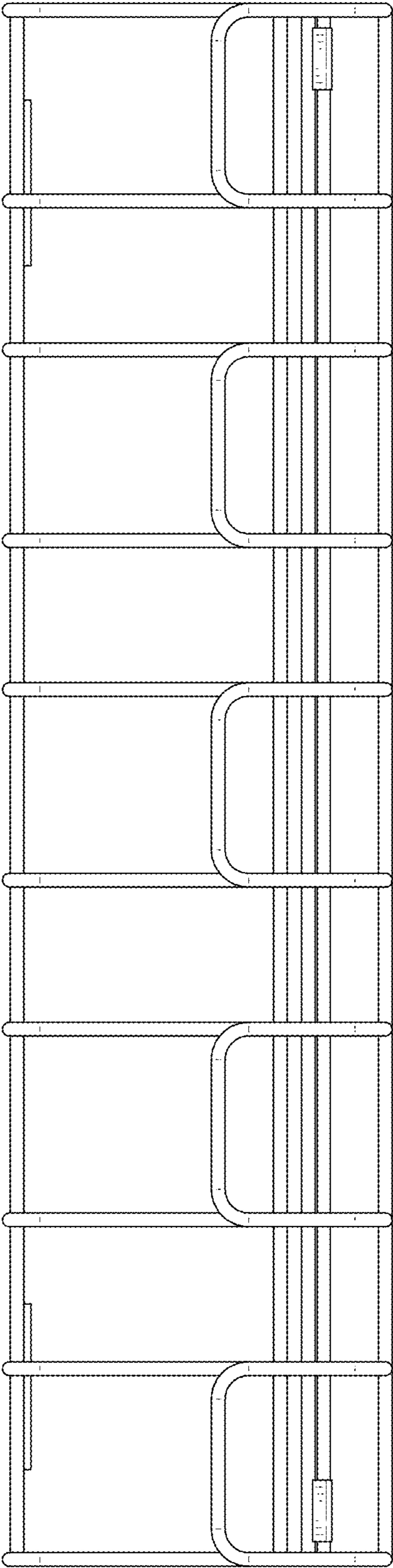


FIG. 3

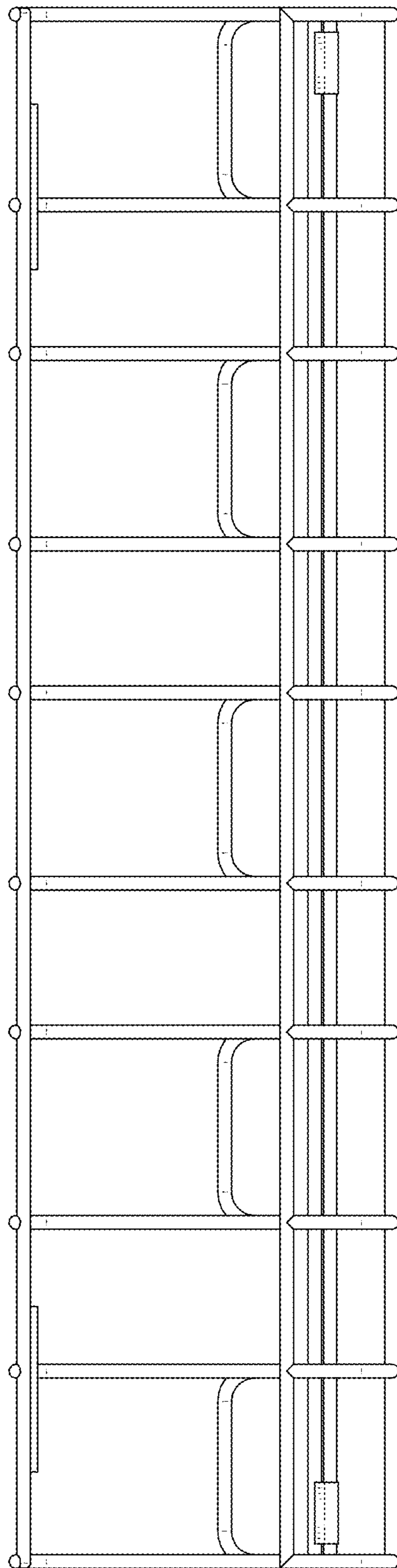


FIG. 4

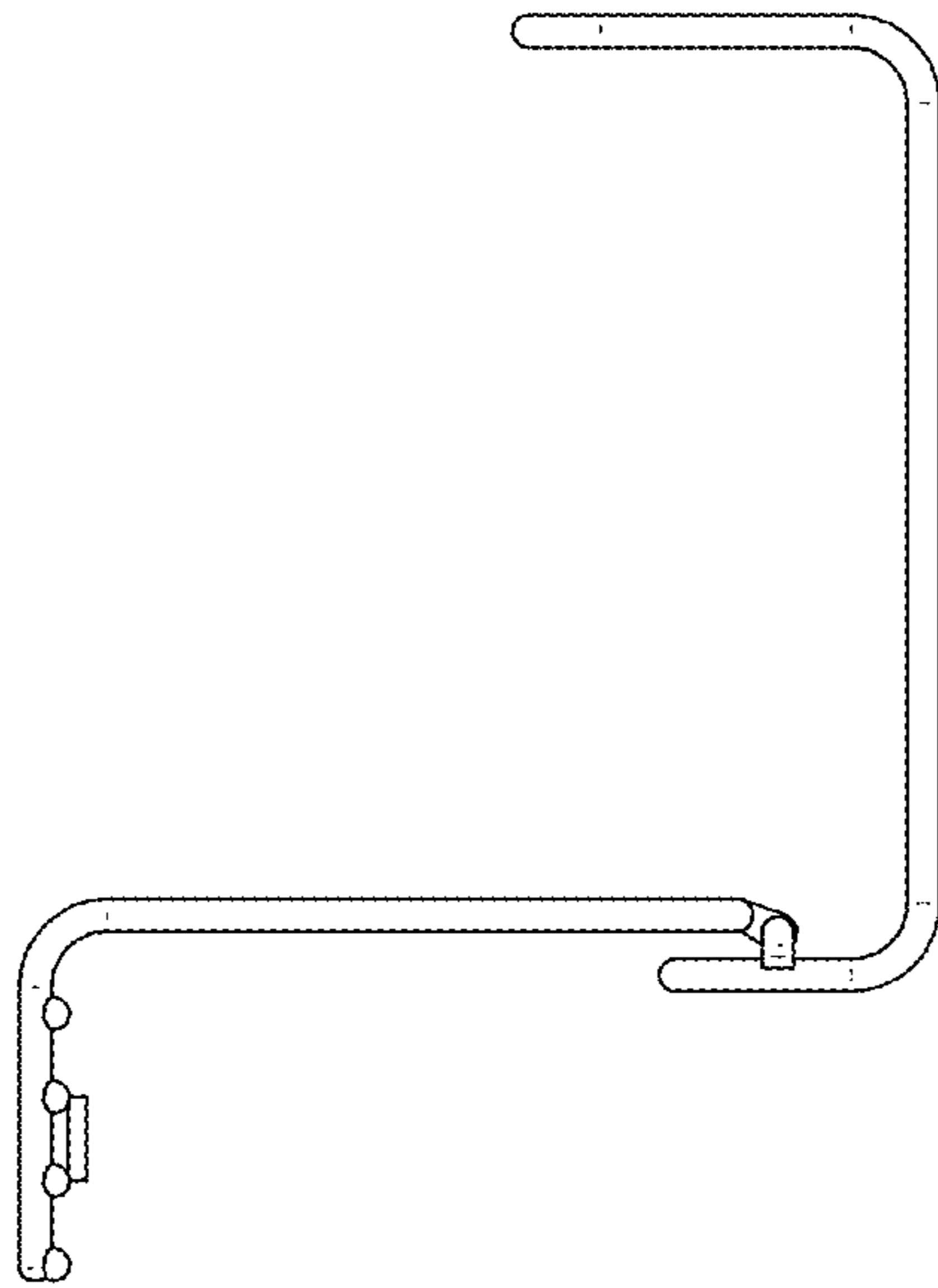


FIG. 5

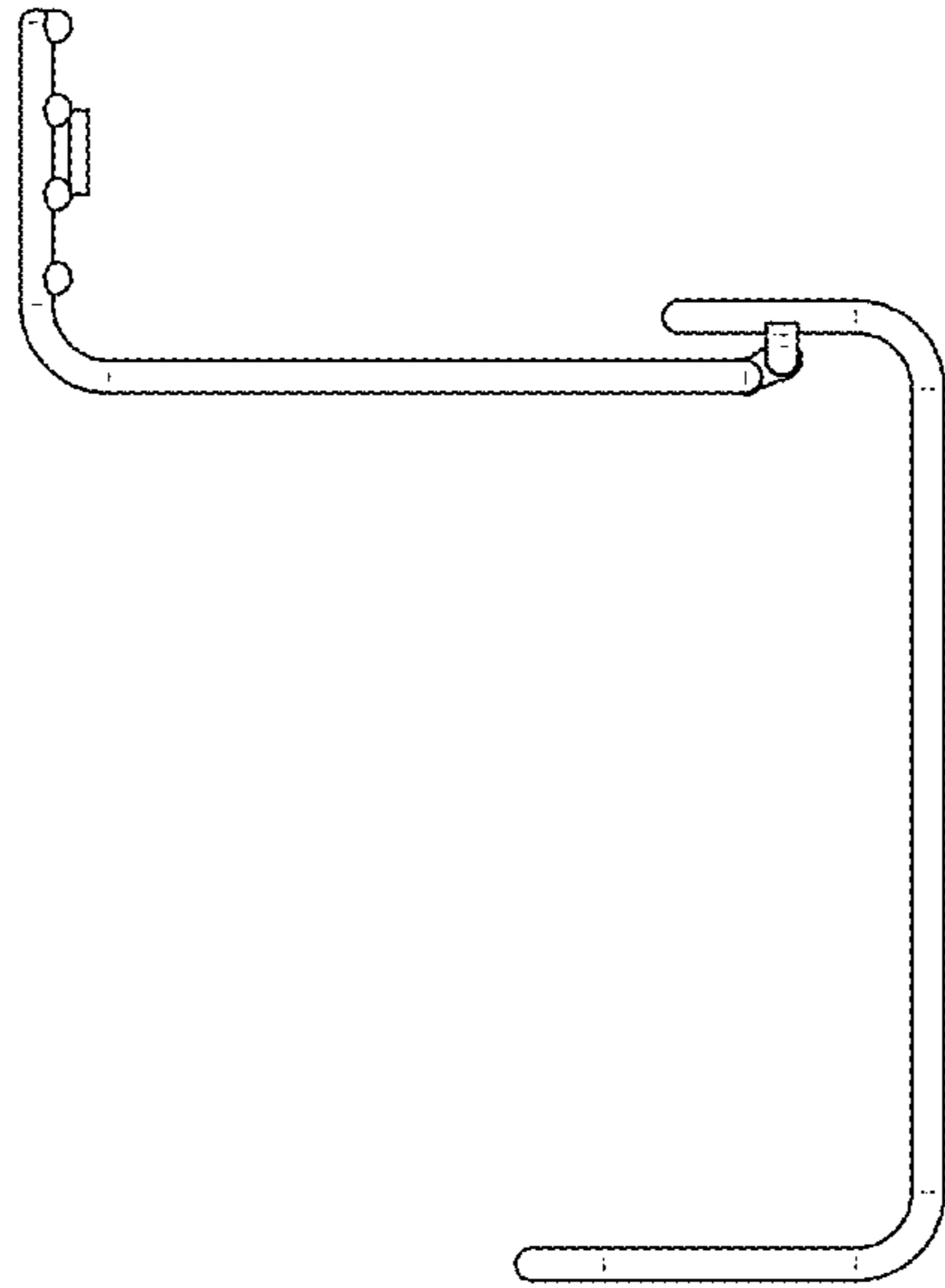


FIG. 6

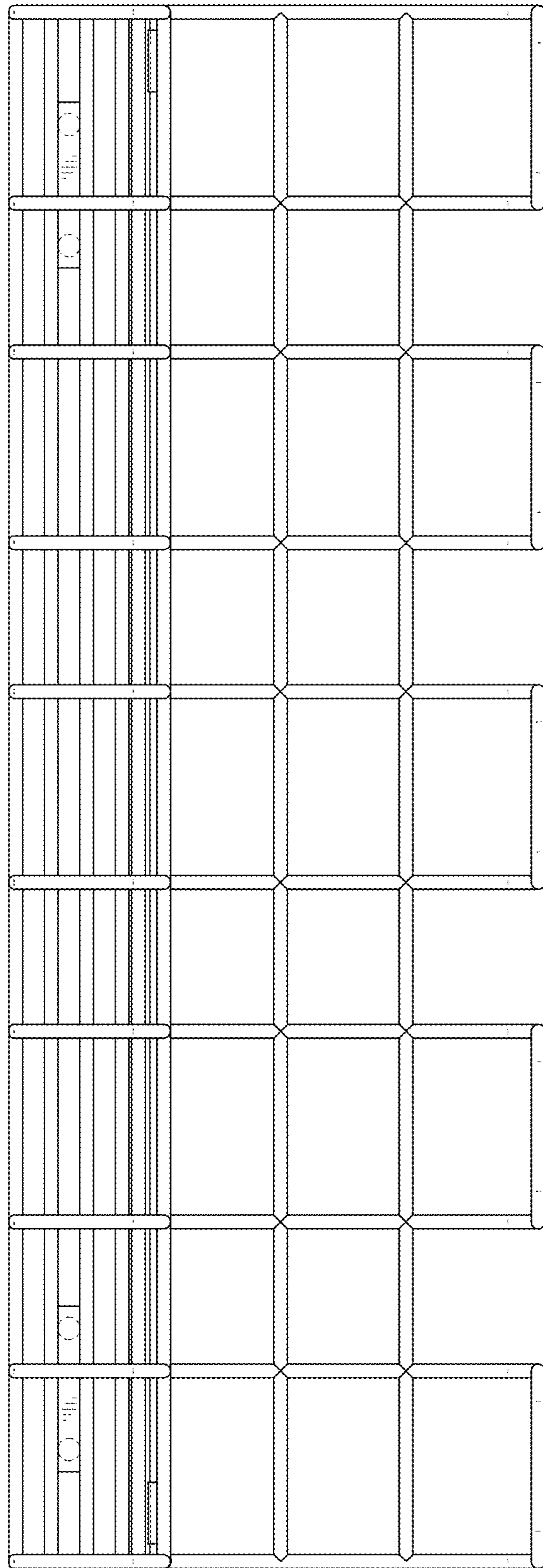


FIG. 7

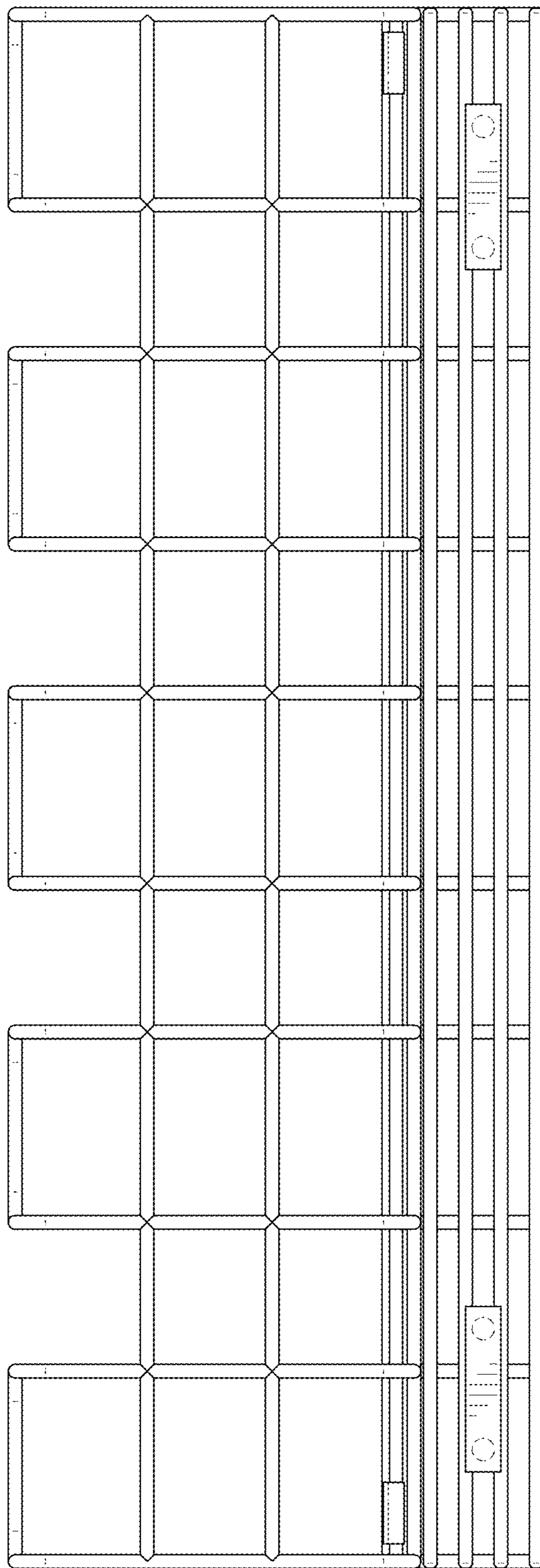


FIG. 8

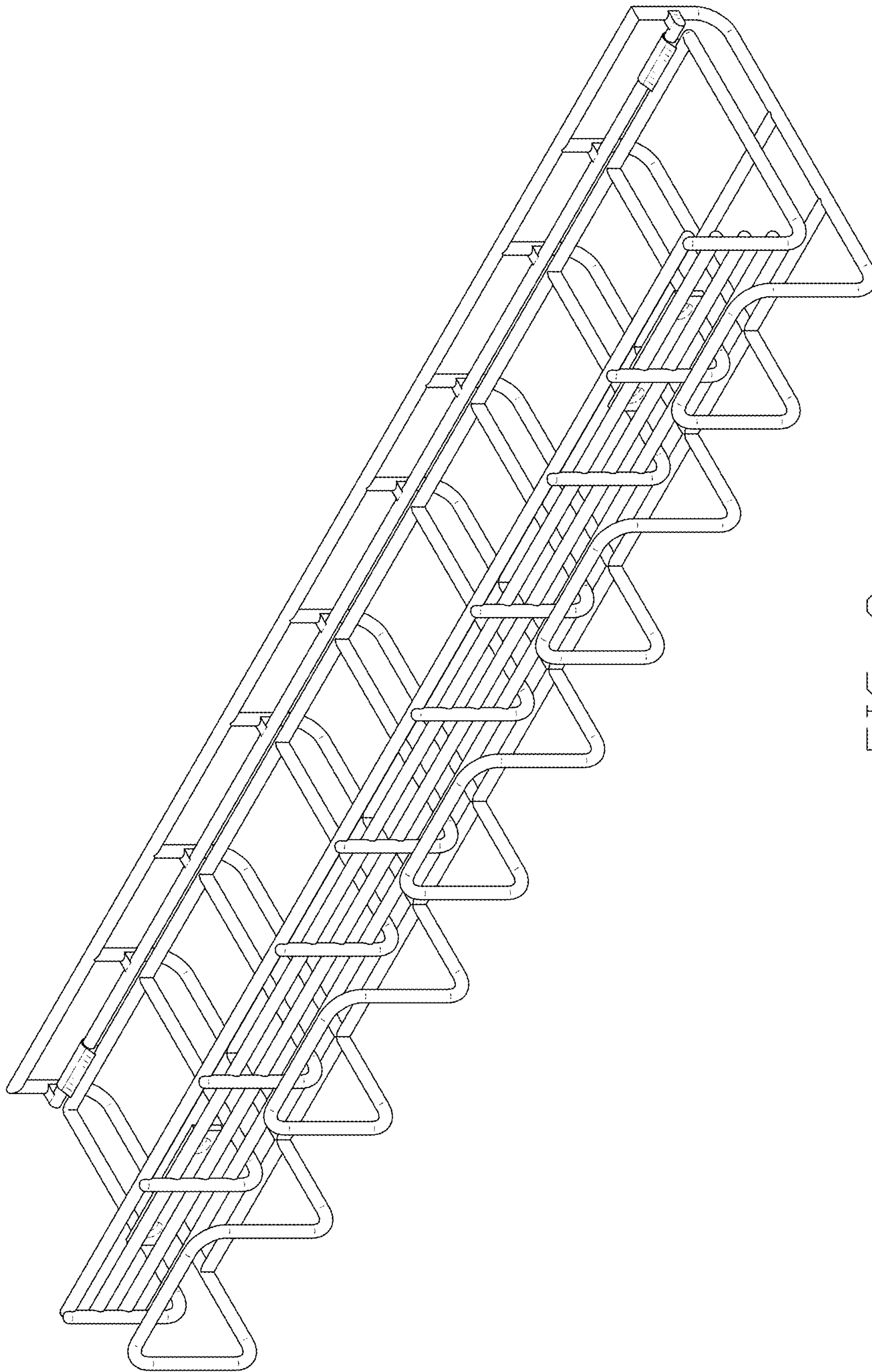


FIG. 9