



US00D971641S

(12) **United States Design Patent** (10) **Patent No.:** **US D971,641 S**
Xia et al. (45) **Date of Patent:** **** Dec. 6, 2022**

(54) **FISHING ROD HOLDER**

OTHER PUBLICATIONS

(71) Applicant: **SHENZHEN BANMIAO TECHNOLOGY CO., LTD.**, Shenzhen (CN)

Amazon.com, Booms Fishing WV4 Fishing Pole Holder, Jun. 17, 2021, <https://www.amazon.com/Booms-Fishing-Mounted-Vertical-Horizontal/dp/B097D5548F/> (Year: 2021).*

(72) Inventors: **Hengxu Xia**, Shenzhen (CN); **Yunhao Liu**, Hebi (CN)

Primary Examiner — Nathan M Johnston

(73) Assignee: **SHENZHEN BANMIAO TECHNOLOGY CO., LTD.**, Shenzhen (CN)

(57) **CLAIM**

The ornamental design for a fishing rod holder, as shown and described.

(**) Term: **15 Years**

DESCRIPTION

(21) Appl. No.: **29/800,219**

FIG. 1 is a perspective view of a first component of a fishing rod holder showing our new design, shown separately for ease of illustration;

(22) Filed: **Jul. 20, 2021**

FIG. 2 is another perspective view thereof;

(51) **LOC (13) Cl.** **08-08**

FIG. 3 is a front elevational view thereof;

(52) **U.S. Cl.**

FIG. 4 is a rear elevational view thereof;

USPC **D6/552**

FIG. 5 is a left side elevational view thereof;

(58) **Field of Classification Search**

FIG. 6 is a right side elevational view thereof;

USPC D6/552, 553, 567, 572; D8/380, 367;

FIG. 7 is a top plan view thereof;

D22/109, 147, 148; D25/68; 43/21,

FIG. 8 is a bottom plan view thereof;

43/21.2; 211/13.1, 60.1, 64, 70.2, 70.6,

FIG. 9 is a perspective view of a second component of the fishing rod holder showing our new design, shown separately for ease of illustration;

211/70.8, 65, 68, 69, 69.8, 89, 94;

FIG. 10 is another perspective view thereof;

248/512, 520, 538, 316.7

FIG. 11 is a front elevational view thereof;

CPC A01K 97/10; A01K 97/12; A01K 97/125;

FIG. 12 is a rear elevational view thereof;

A01K 99/00; A01K 97/08; A47F 7/0021;

FIG. 13 is a left side elevational view thereof;

A47F 7/0035; A47B 81/005; Y10T

FIG. 14 is a right side elevational view thereof;

70/5009; Y10S 224/922

FIG. 15 is a top plan view thereof;

See application file for complete search history.

FIG. 16 is a bottom plan view thereof; and,

(56) **References Cited**

FIG. 17 is a perspective view of the fishing rod holder, shown in use with the first component in an upper level and the second component in a lower level for holding the fishing rod.

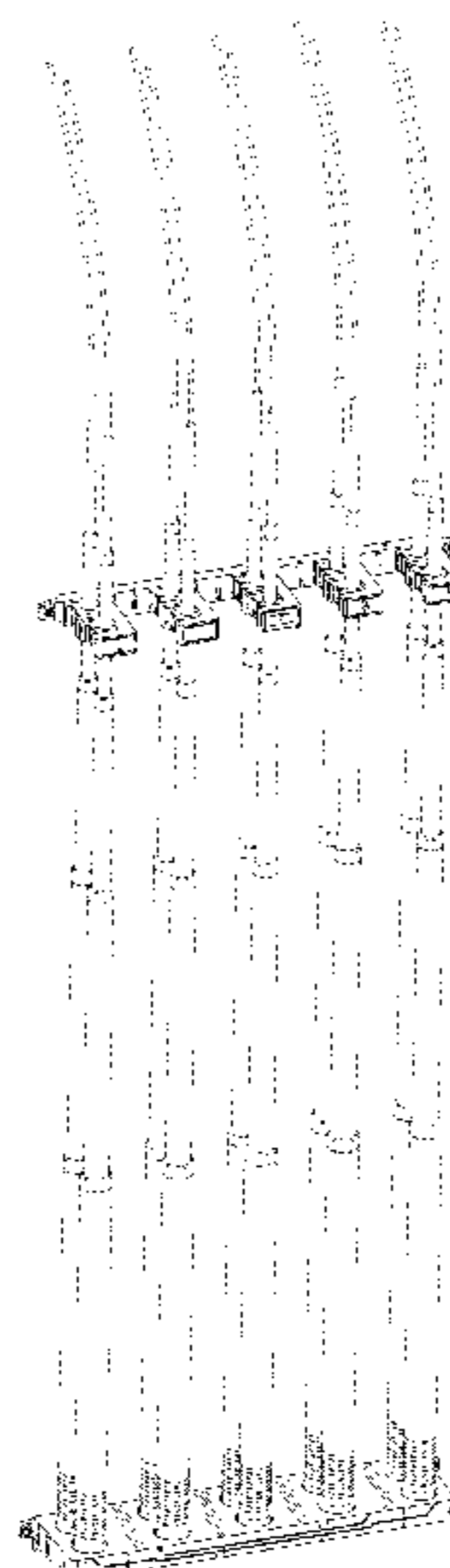
U.S. PATENT DOCUMENTS

The broken lines immediately adjacent to the shaded areas depict the bounds of the claimed design, while all other broken lines are directed to environment. The broken lines form no part of the claimed design.

D46,600 S * 10/1914 Maher D6/552
D157,241 S * 2/1950 Pozo D6/552
2,854,147 A * 9/1958 Derr A01K 97/08
248/513

(Continued)

1 Claim, 17 Drawing Sheets



(56)

References Cited

U.S. PATENT DOCUMENTS

2,974,804 A *	3/1961	Maro	B25H 3/04	5,947,583 A *	9/1999	Castano	A63D 15/10
				248/220.31					362/132
3,298,531 A *	1/1967	Wilcke	A47L 13/512	6,360,902 B1 *	3/2002	Searles	A01K 97/10
				211/70.6					211/70.8
3,537,595 A *	11/1970	Mathisen	A47B 81/005	6,481,583 B1 *	11/2002	Black	B25H 3/04
				211/89.01					211/89.01
4,049,126 A *	9/1977	Halverson	A63B 60/60	D573,827 S *	7/2008	Taggart	D6/552
				D6/552	D699,477 S *	2/2014	Allen	D6/552
D256,303 S *	8/1980	Rieman	D6/552	10,182,653 B1 *	1/2019	Long	A01K 97/10
D272,785 S *	2/1984	Rumbaugh	D6/552	D852,927 S	7/2019	Olliges et al.		
D272,787 S *	2/1984	Rumbaugh	D6/552	D910,803 S	2/2021	Barsten		
D275,534 S *	9/1984	Halverson	D6/552	2003/0080079 A1 *	5/2003	Wu	F16B 2/16
D301,511 S *	6/1989	Rainsberger	D6/552					211/89.01
D340,607 S *	10/1993	Hubbard	D6/567	2006/0237501 A1 *	10/2006	Gonzalez	A01K 97/08
D341,051 S *	11/1993	Hubbard	D6/567					224/325
D354,874 S *	1/1995	Burch	D6/567	2006/0243686 A1 *	11/2006	Grayson	A47B 81/005
5,588,542 A *	12/1996	Winkler, Jr.	A47B 81/005					211/70.6
				211/89.01	2015/0359210 A1 *	12/2015	Rossi	A01K 97/10
									43/21.2

* cited by examiner

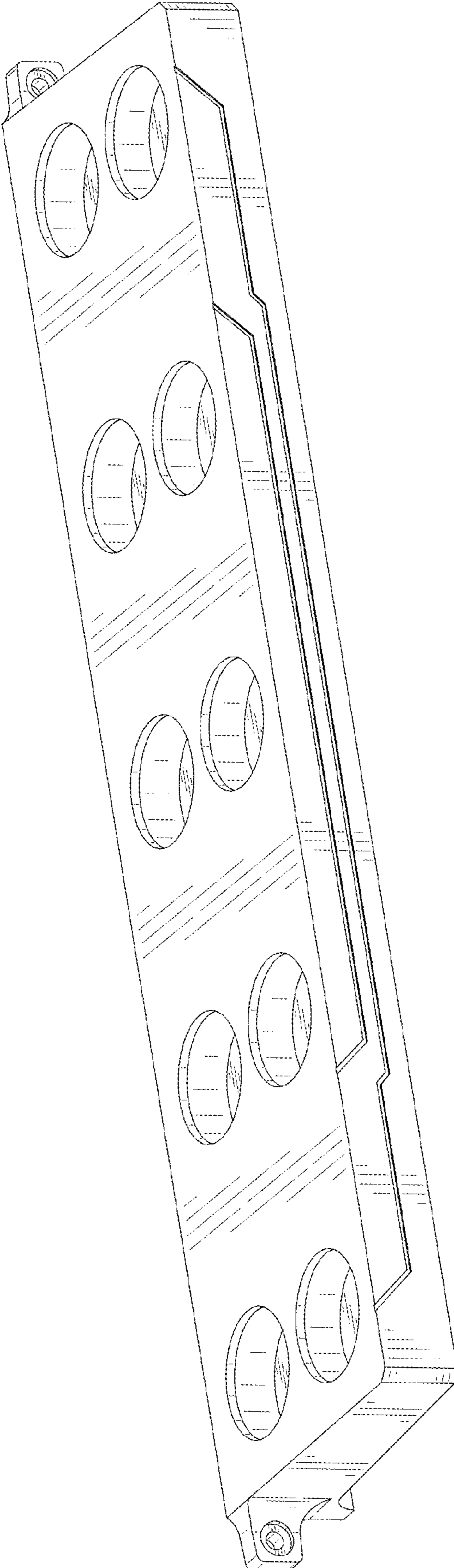


FIG. 1

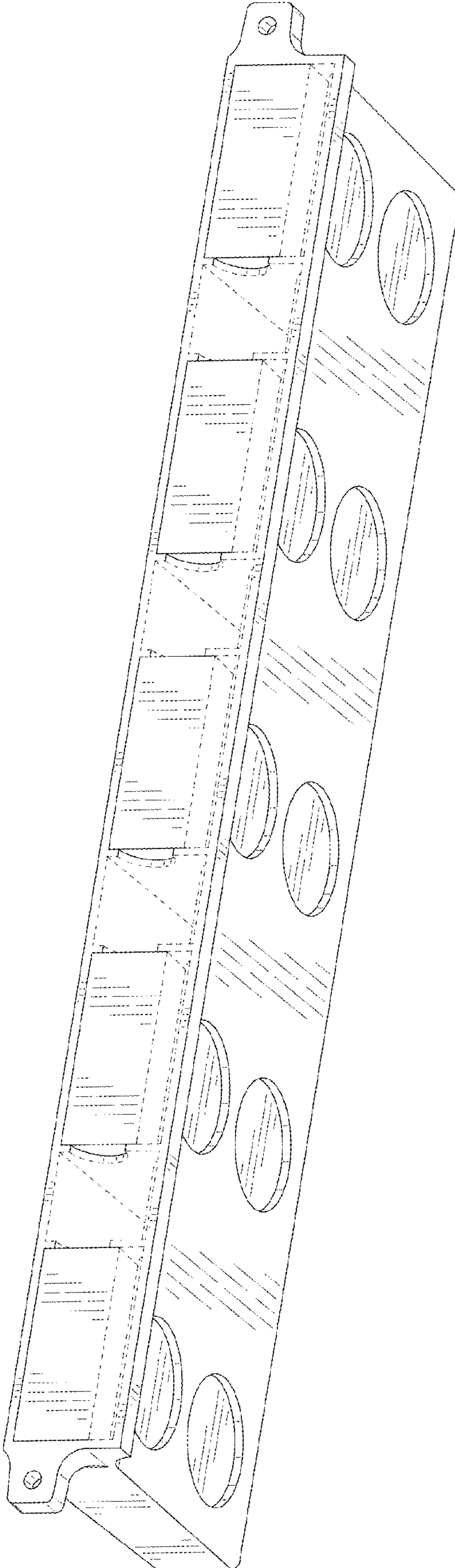


FIG. 2

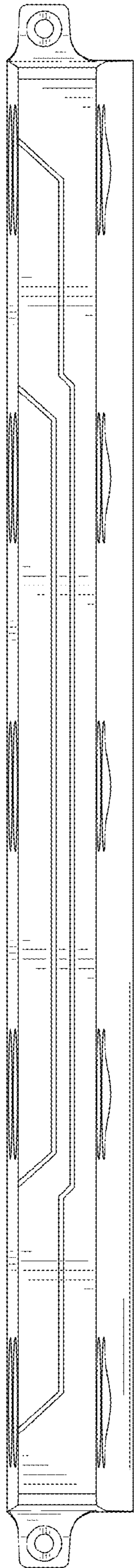


FIG. 3

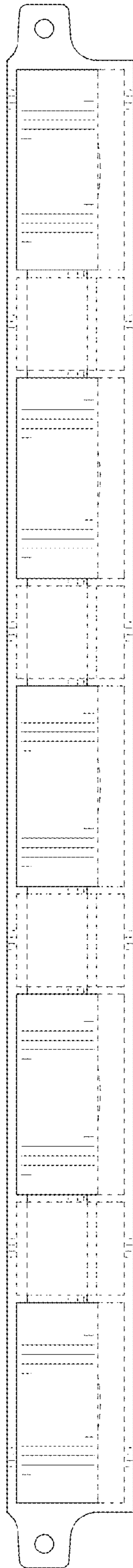


FIG. 4

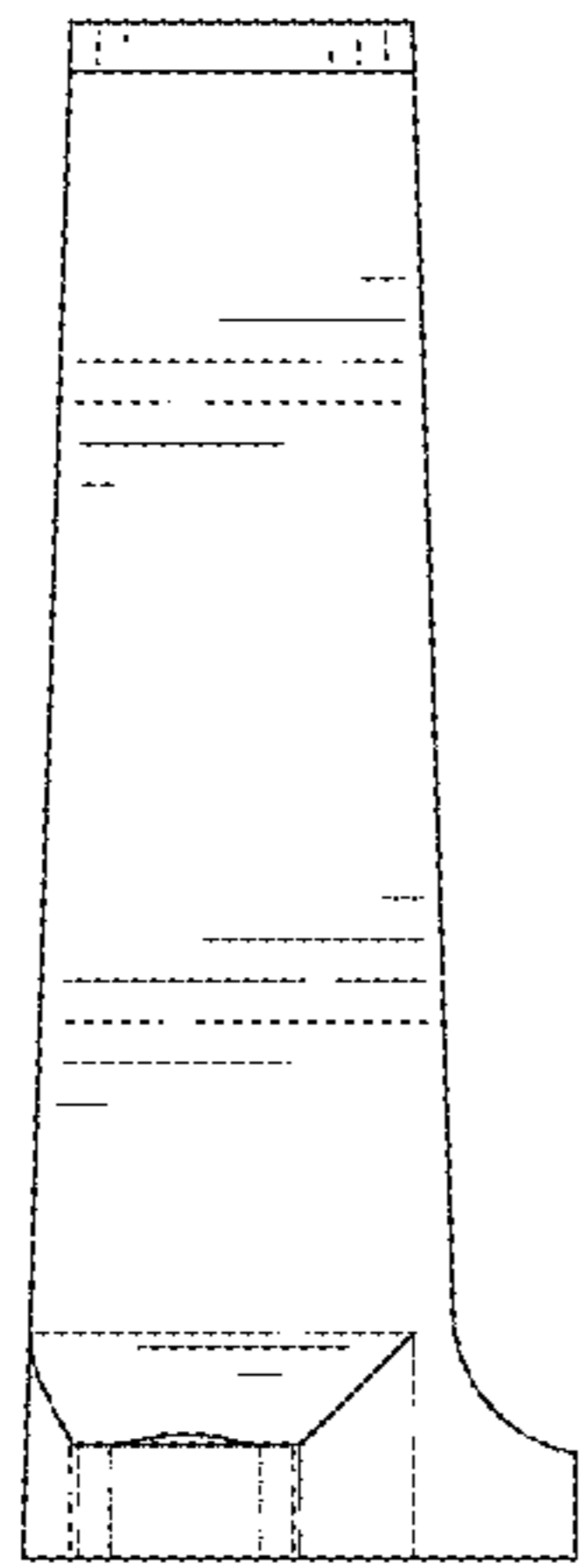


FIG. 5

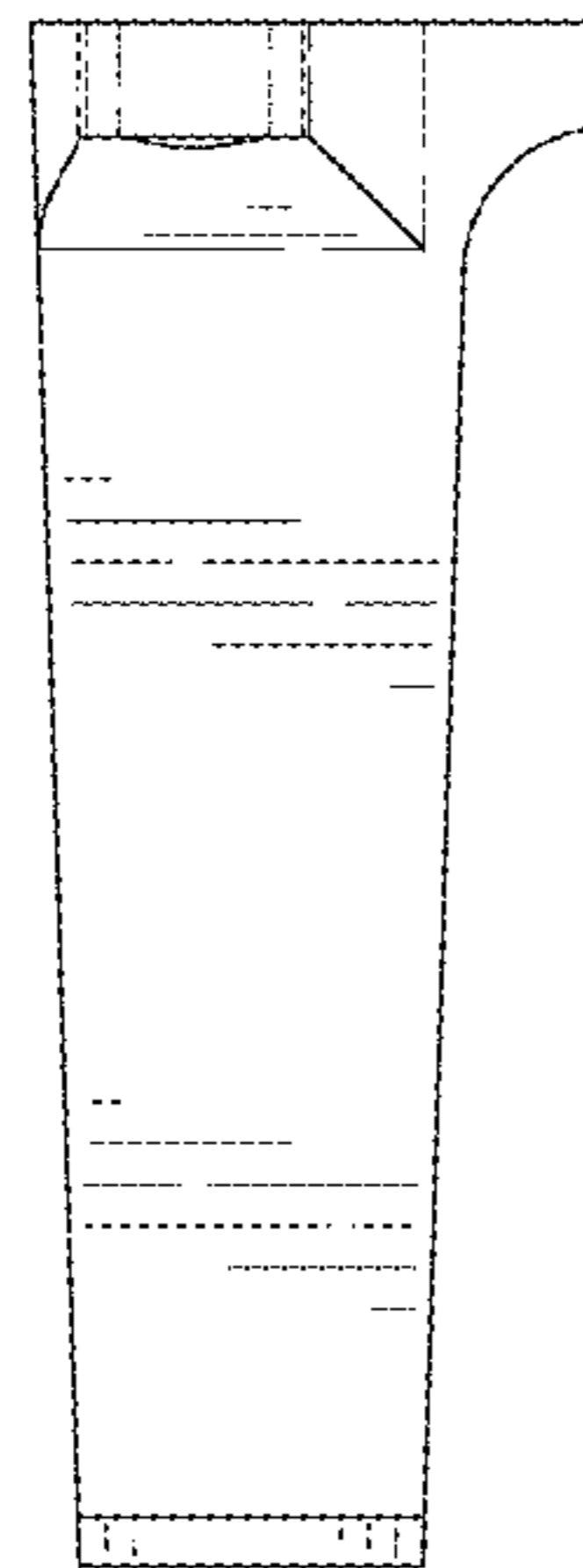


FIG. 6

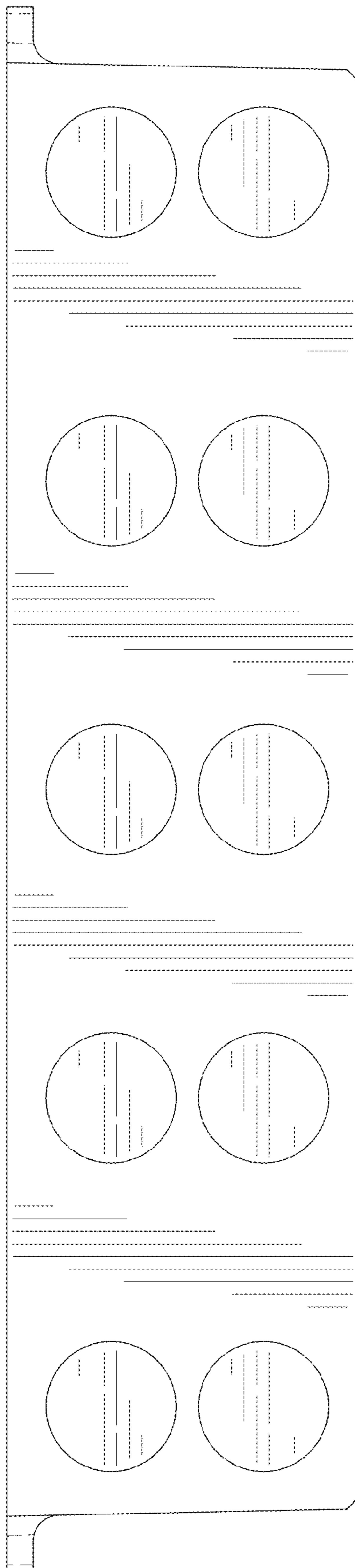


FIG. 7

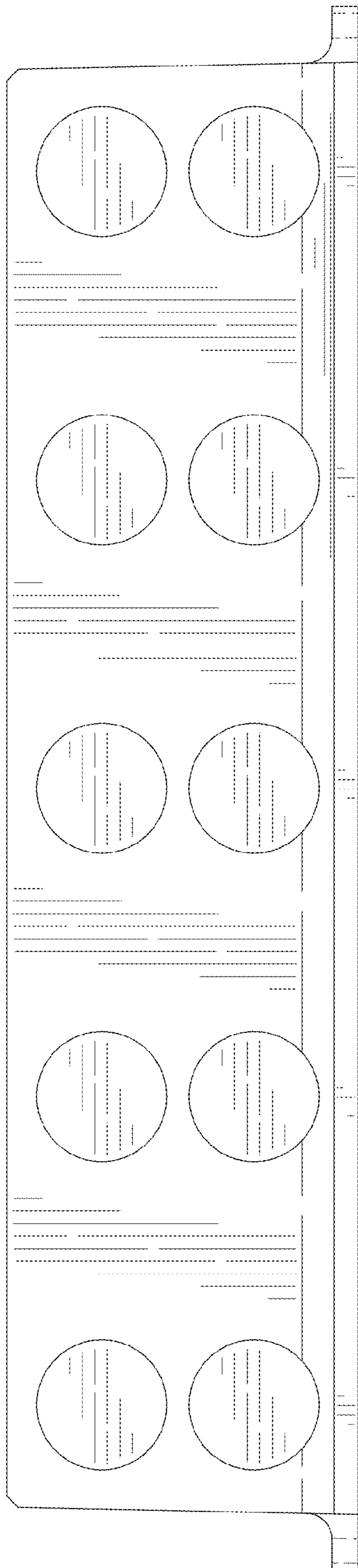


FIG. 8

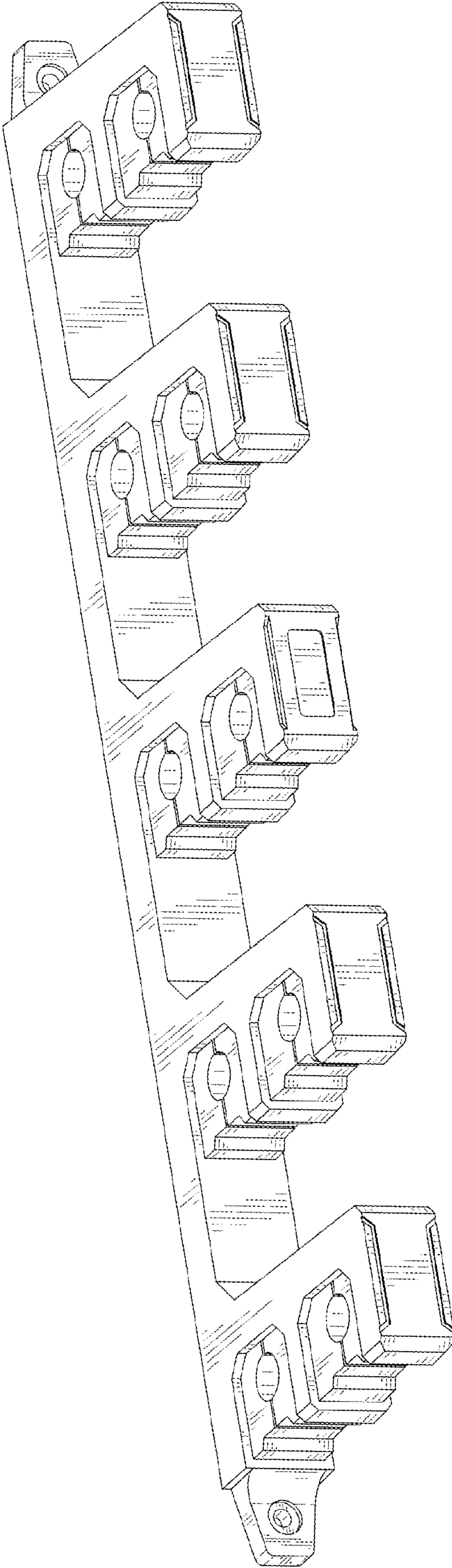


FIG. 9

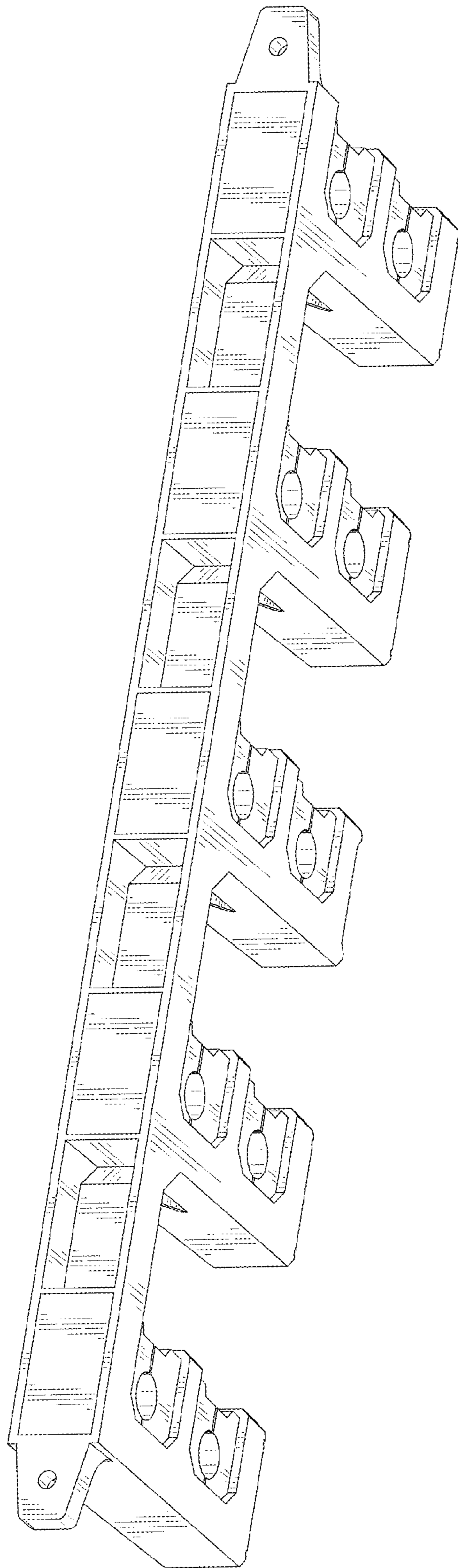


FIG. 10

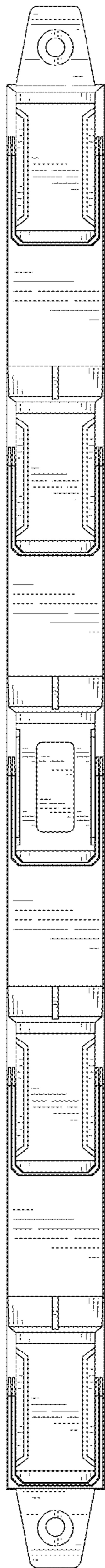


FIG. 11

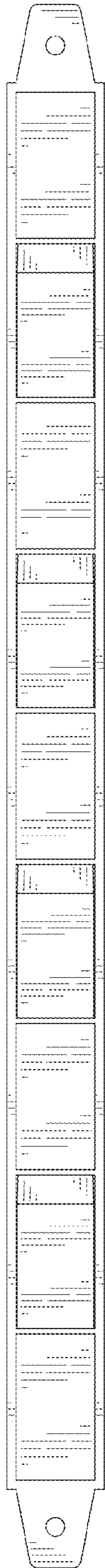


FIG. 12

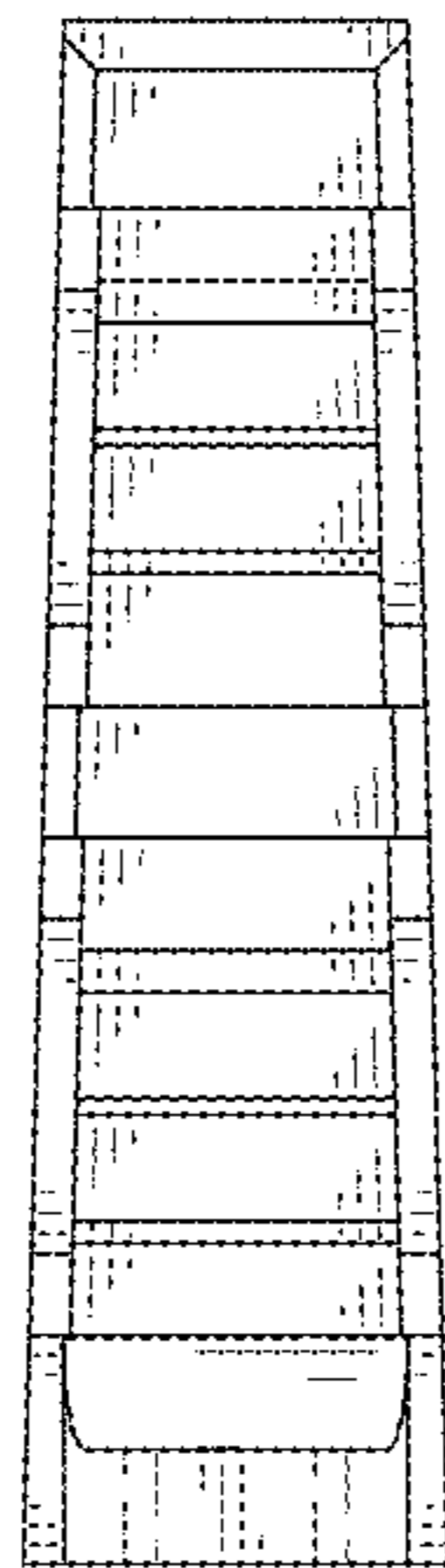


FIG. 13

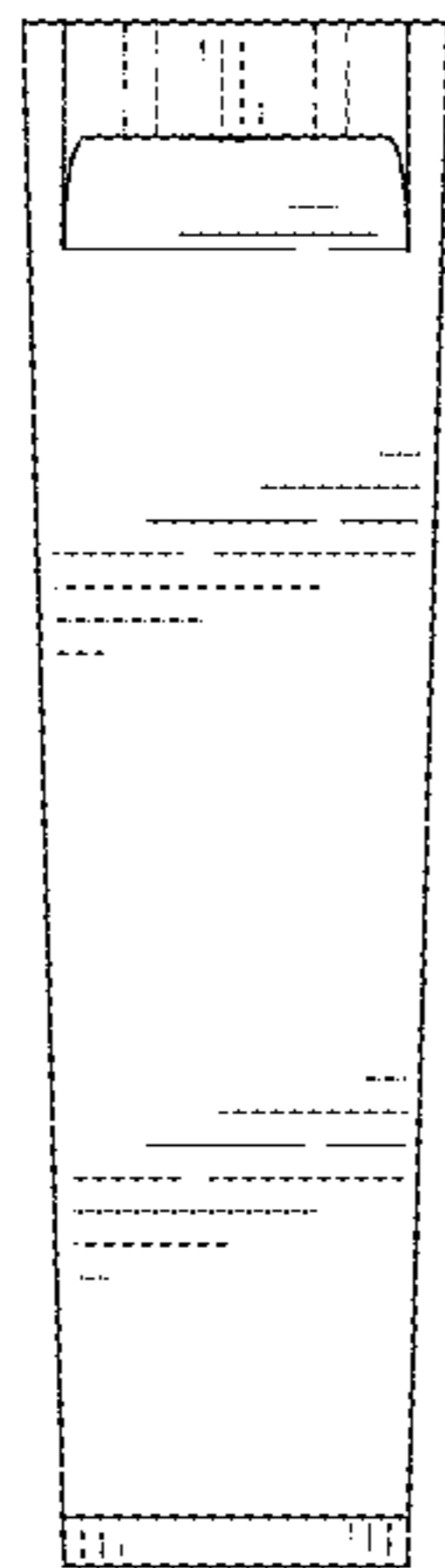


FIG. 14

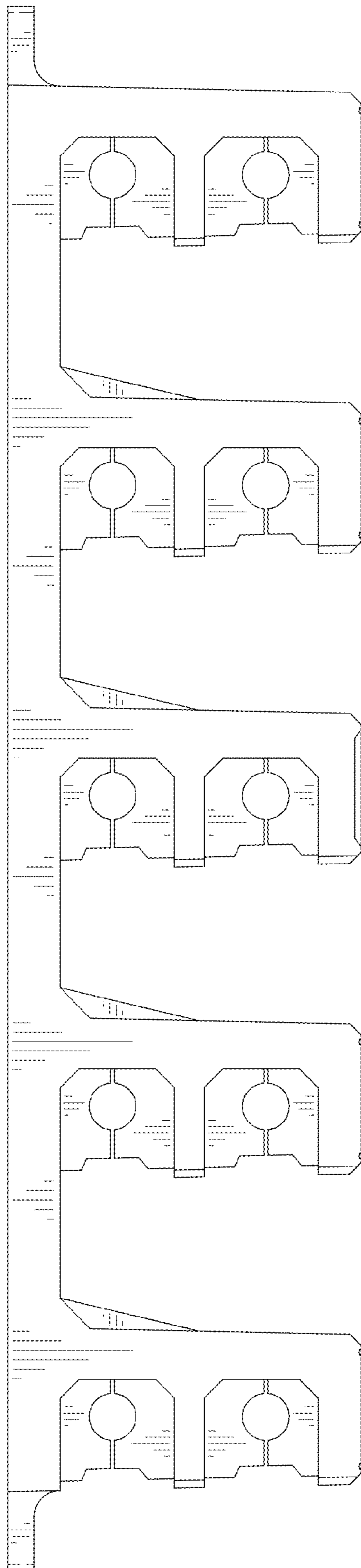


FIG. 15

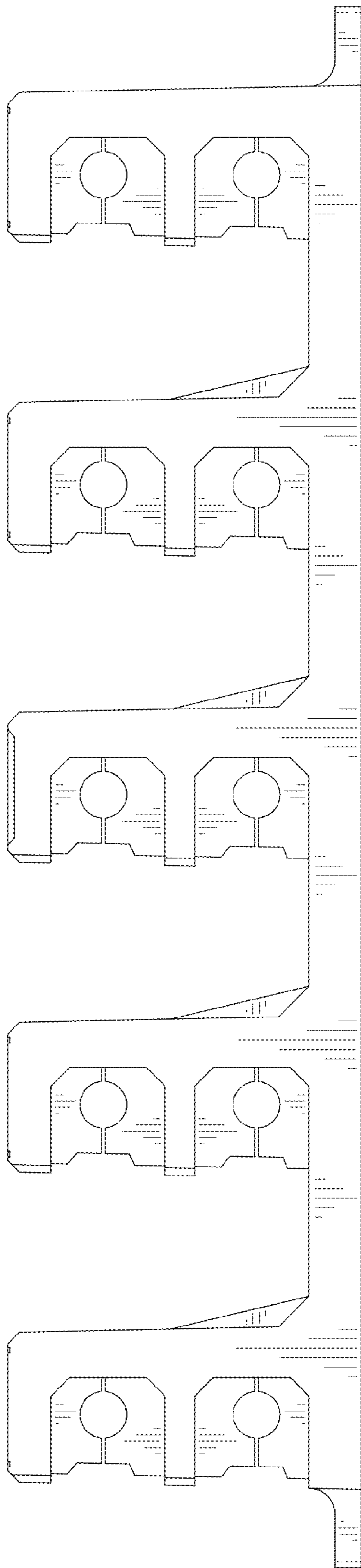


FIG. 16

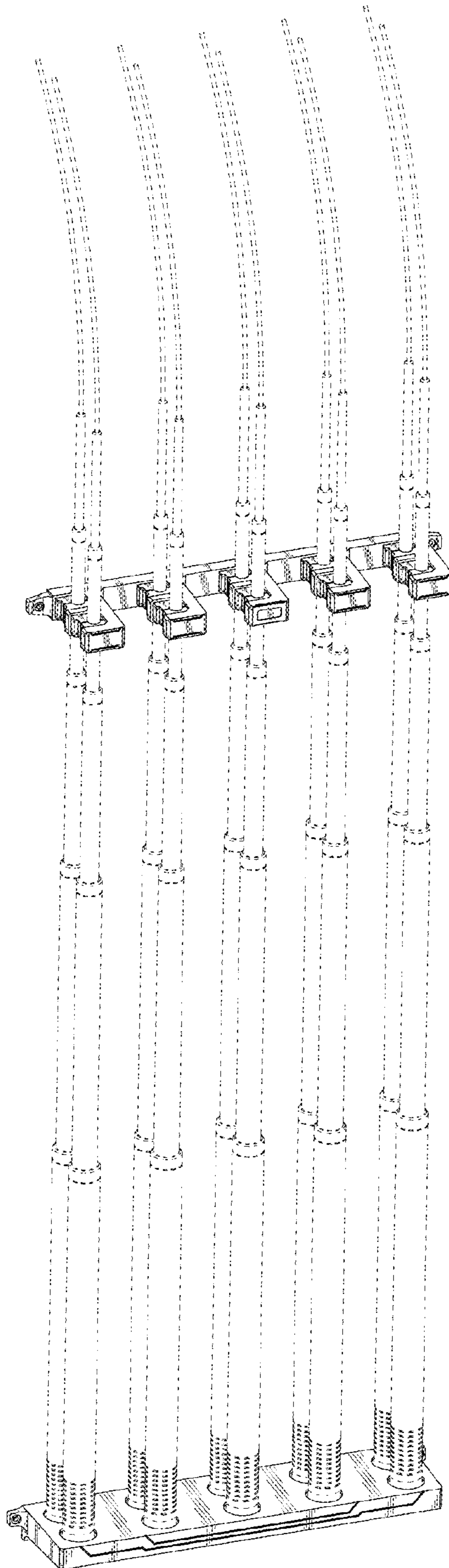


FIG. 17