

US00D971640S

(12) **United States Design Patent** (10) **Patent No.:** **US D971,640 S**
Dou et al. (45) **Date of Patent:** **** Dec. 6, 2022**

(54) **ROD HOLDER**

(71) Applicants: **Weihai Yuanji Outdoor Products Co., Ltd.**, Shandong (CN); **XIAMEN SAIYAGE TRADING CO., LTD.**, Fujian (CN)

(72) Inventors: **Zuoqiang Dou**, Shandong (CN); **Yanping Jiang**, Shandong (CN); **Haisen Huang**, Shandong (CN); **Dewei Hu**, Shandong (CN)

(73) Assignees: **Weihai Yuanji Outdoor Products Co., Ltd.**, Weihai (CN); **XIAMEN SAIYAGE TRADING CO., LTD.**, Xiamen (CN)

(**) Term: **15 Years**

(21) Appl. No.: **29/756,686**

(22) Filed: **Oct. 30, 2020**

(30) **Foreign Application Priority Data**

Sep. 10, 2020 (CN) 202030536889.1

(51) **LOC (13) Cl.** **08-08**

(52) **U.S. Cl.**
USPC **D6/552**

(58) **Field of Classification Search**

USPC D6/552, 553, 567, 572; D8/380, 367; D22/109, 147, 148; D25/68; 43/21, 43/21.2; 211/13.1, 60.1, 64, 70.2, 70.6, 211/70.8, 65, 68, 69, 69.8, 89, 94; 248/512, 520, 538, 316.7
CPC A01K 97/10; A01K 97/12; A01K 97/125; A01K 99/00; A01K 97/08; A47F 7/0021; A47F 7/0035; A47B 81/005; Y10T 70/5009; Y10S 224/922

See application file for complete search history.

(56) **References Cited**

U.S. PATENT DOCUMENTS

1,208,923 A * 12/1916 Dell A47K 1/09 211/65
1,581,061 A * 4/1926 Johnston A63B 55/60 280/DIG. 6
D83,761 S * 3/1931 Smith D6/552
D175,455 S * 8/1955 Bartleman D6/572
3,004,673 A * 10/1961 Emery A47F 7/0028 211/70.8
D198,691 S * 7/1964 Schaefer D6/552
D249,425 S * 9/1978 Jones D6/552

(Continued)

OTHER PUBLICATIONS

Amazon.com, Goture Patented Fishing Rod Holder, Oct. 5, 2020, <https://www.amazon.com/Goture-Patented-Aluminum-Rack-Space-Oragnizer/dp/B08N6HSLF1/> (Year: 2020).*

Primary Examiner — Nathan M Johnston

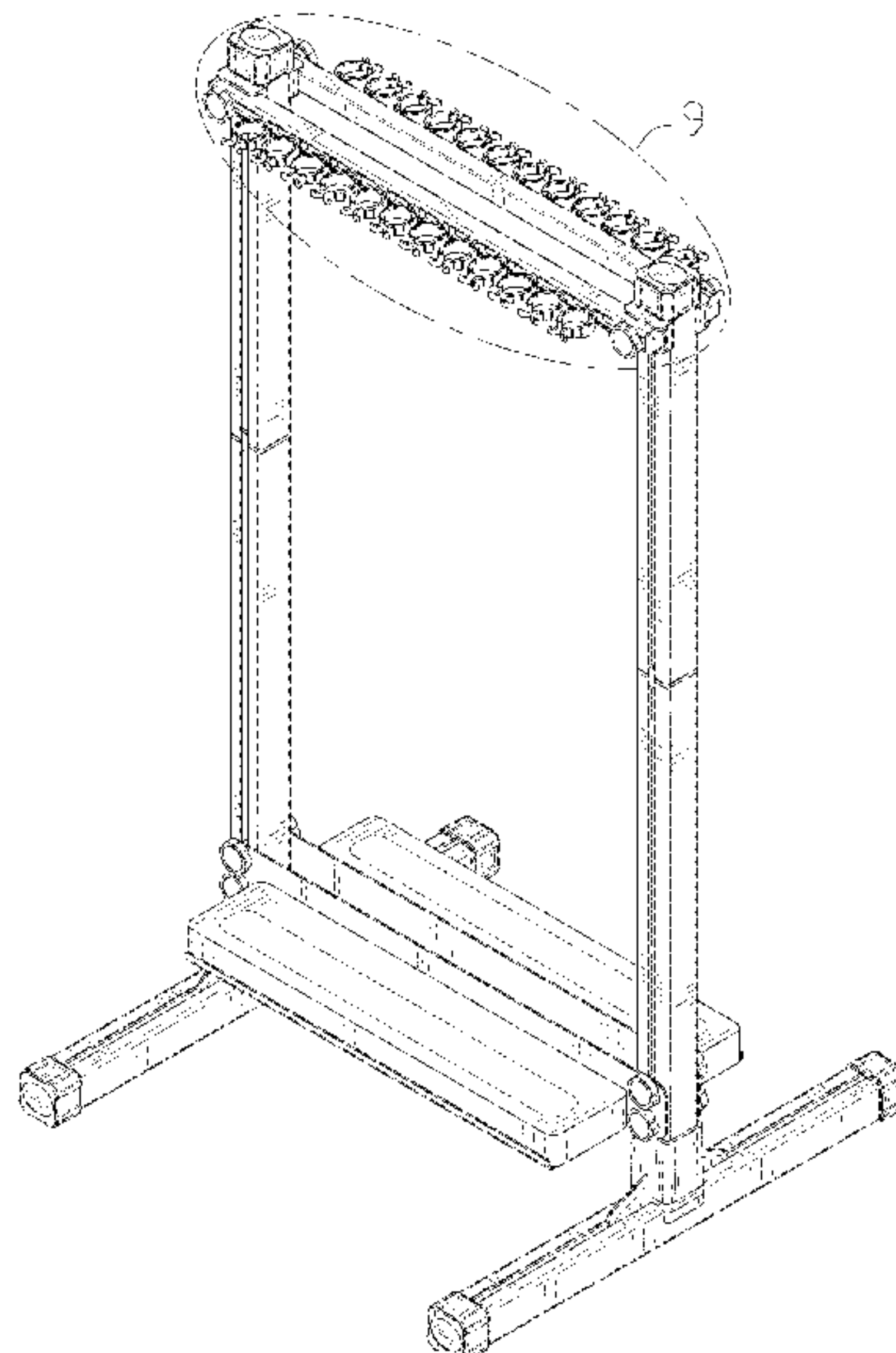
(57) **CLAIM**

The ornamental design for a rod holder, as shown and described.

DESCRIPTION

FIG. 1 is a top, front and right side perspective view of a rod holder showing our new design;
FIG. 2 is a bottom, rear and left side perspective view thereof;
FIG. 3 is a front elevational view thereof;
FIG. 4 is a rear elevational view thereof;
FIG. 5 is a left side view thereof;
FIG. 6 is a right side view thereof;
FIG. 7 is a top plan view thereof;
FIG. 8 is a bottom plan view thereof;
FIG. 9 is an enlarged view of portion 9 in FIG. 1;
FIG. 10 is an enlarged view of portion 10 in FIG. 2; and,
FIG. 11 is an enlarged view of portion 11 in FIG. 3.
The broken lines in the drawings illustrate portions of the rod holder which form no part of the claimed design.

1 Claim, 11 Drawing Sheets



(56)

References Cited

U.S. PATENT DOCUMENTS

4,696,122	A *	9/1987	Van Der Zyl	A01K 97/08 294/143
D302,628	S *	8/1989	Smith	D6/552
D306,752	S *	3/1990	Crump	D6/552
D312,016	S *	11/1990	Montgomery	D6/552
5,484,066	A *	1/1996	Luisi	B43K 23/002 211/69.8
D376,309	S *	12/1996	Takai	D8/356
5,657,883	A *	8/1997	Badia	A01K 97/10 D6/552
D429,936	S *	8/2000	McCormick	D6/552
D434,587	S *	12/2000	Beard, Sr.	D6/552
D464,508	S *	10/2002	Wilfer	D6/552
D473,991	S *	4/2003	Moon	D34/21
D477,741	S *	7/2003	Wang	D6/552
D604,977	S *	12/2009	Conville	D6/552
D630,875	S *	1/2011	Leung	D6/552
D688,490	S *	8/2013	Pepe	D6/552
D756,535	S *	5/2016	Schlipf	D25/68
D776,956	S *	1/2017	Ma	D6/552
D794,433	S *	8/2017	McCoy	D8/380
D941,605	S *	1/2022	Yang	D6/552

* cited by examiner

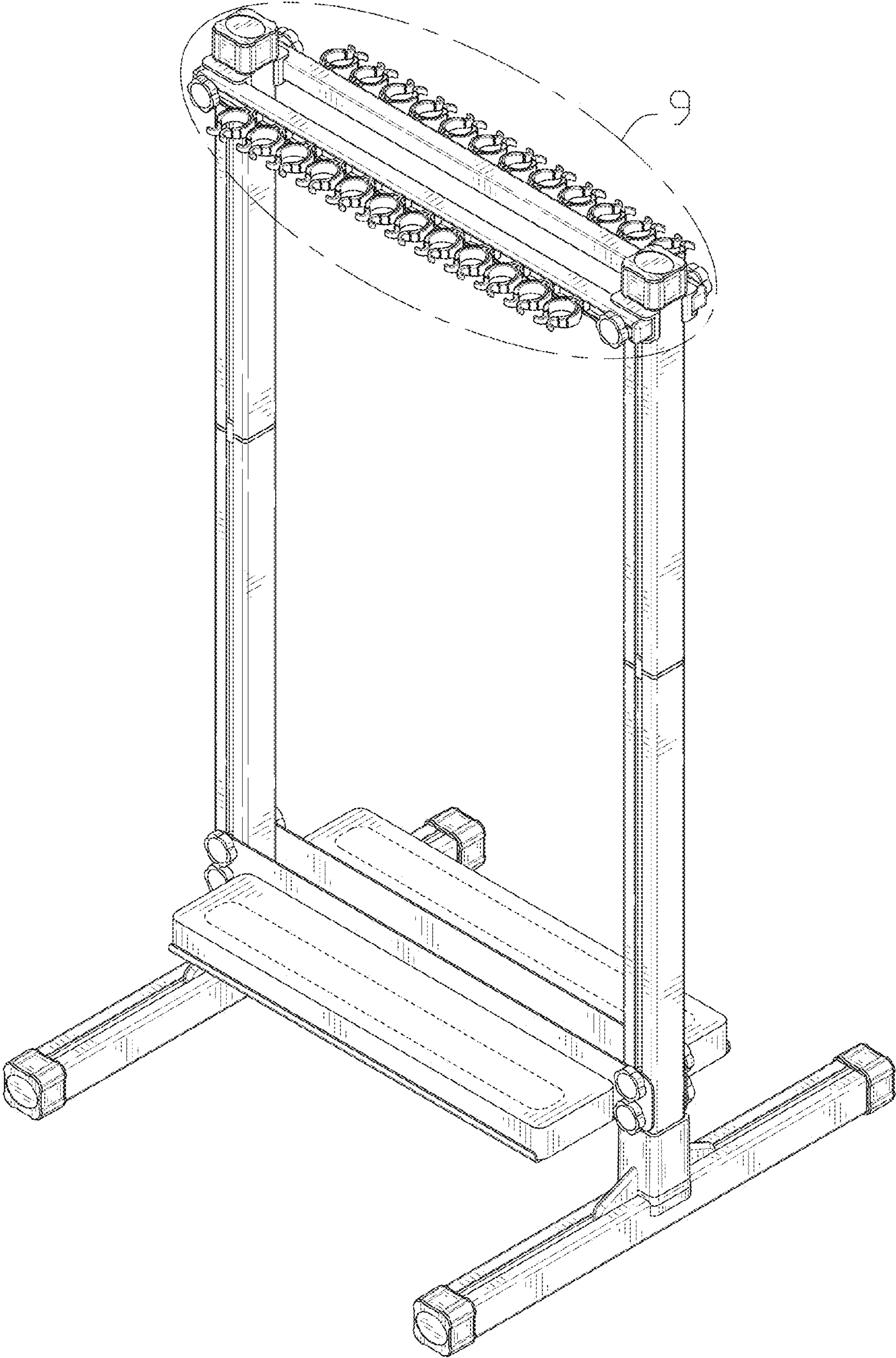


FIG. 1

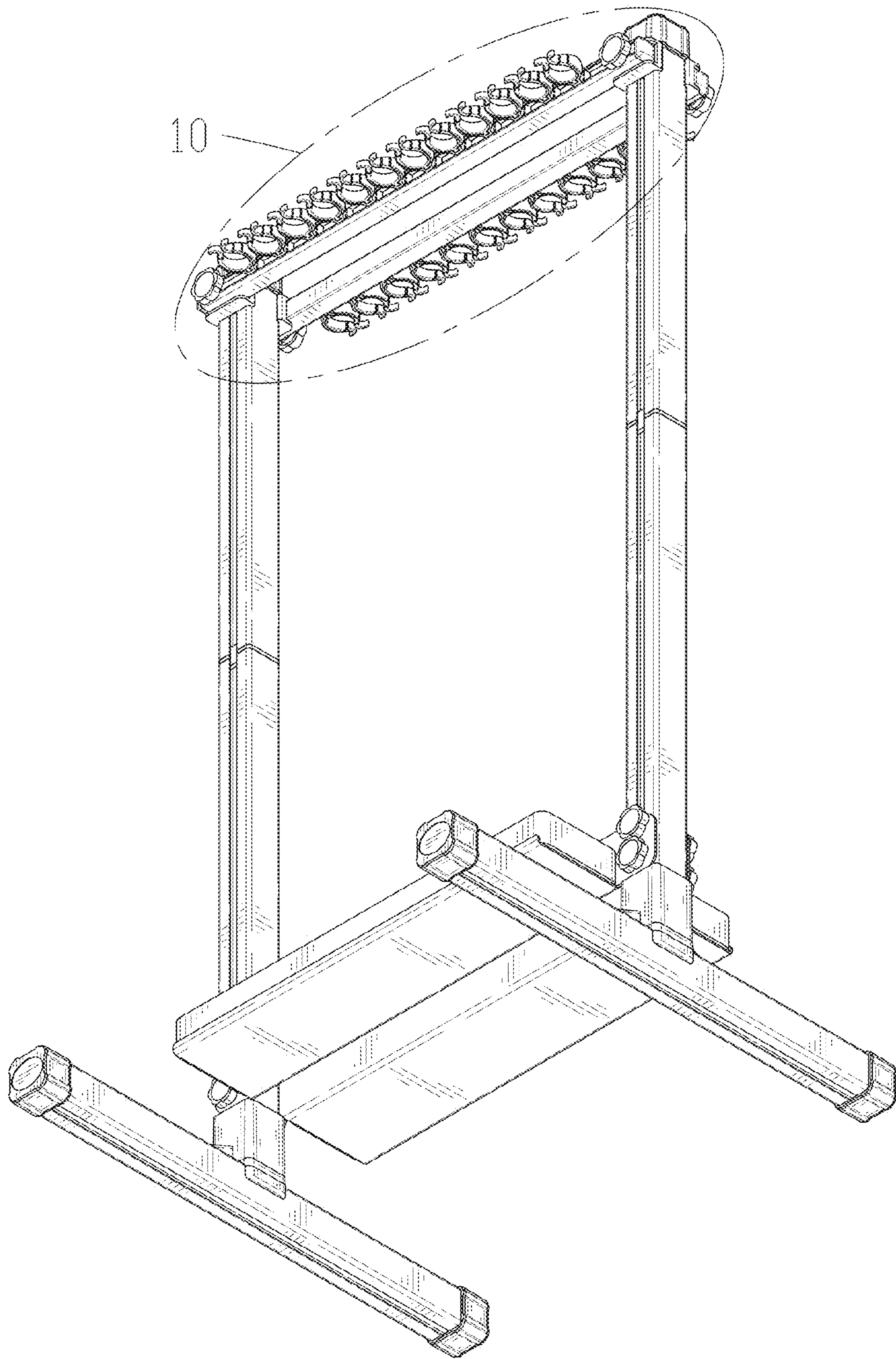


FIG. 2

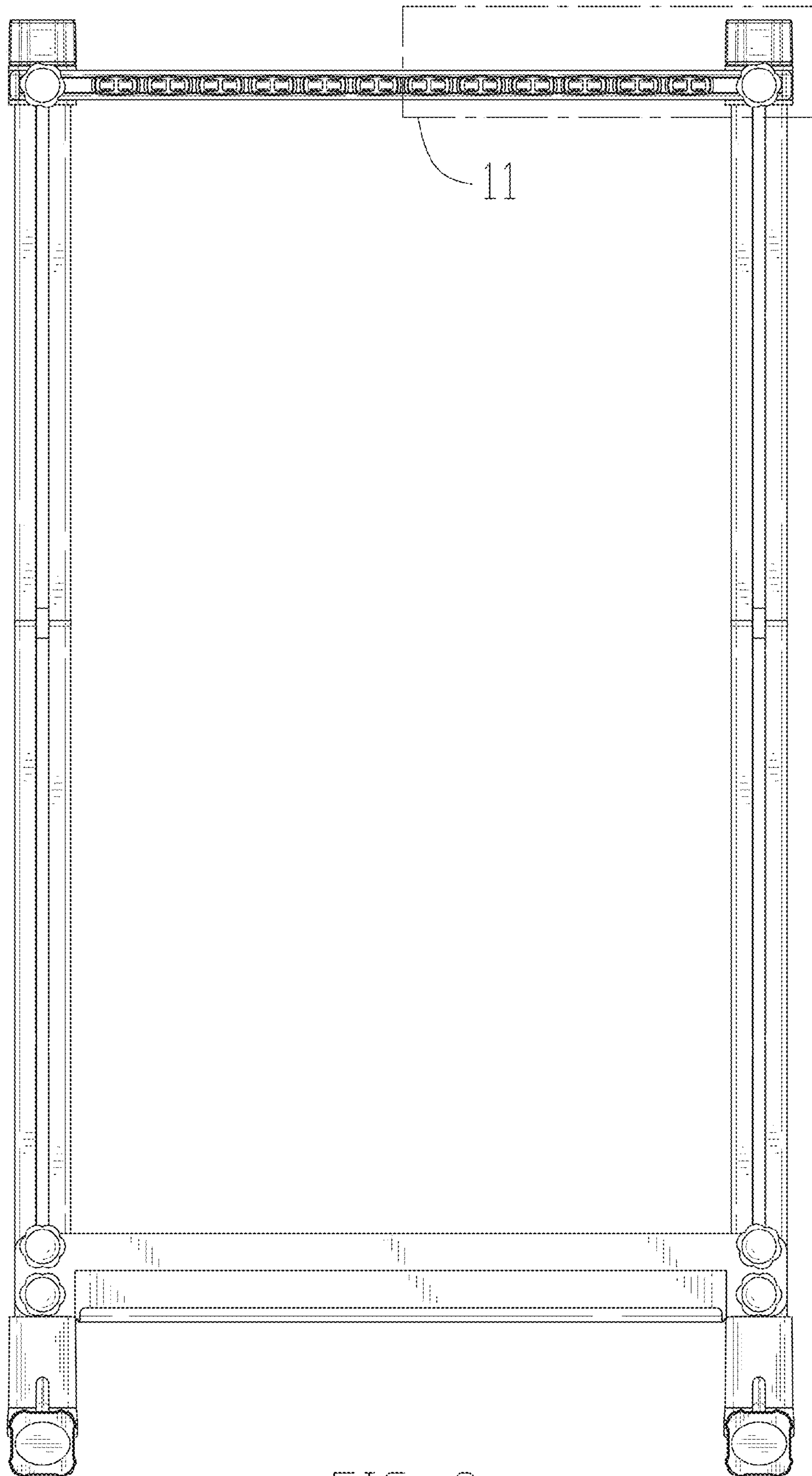


FIG. 3

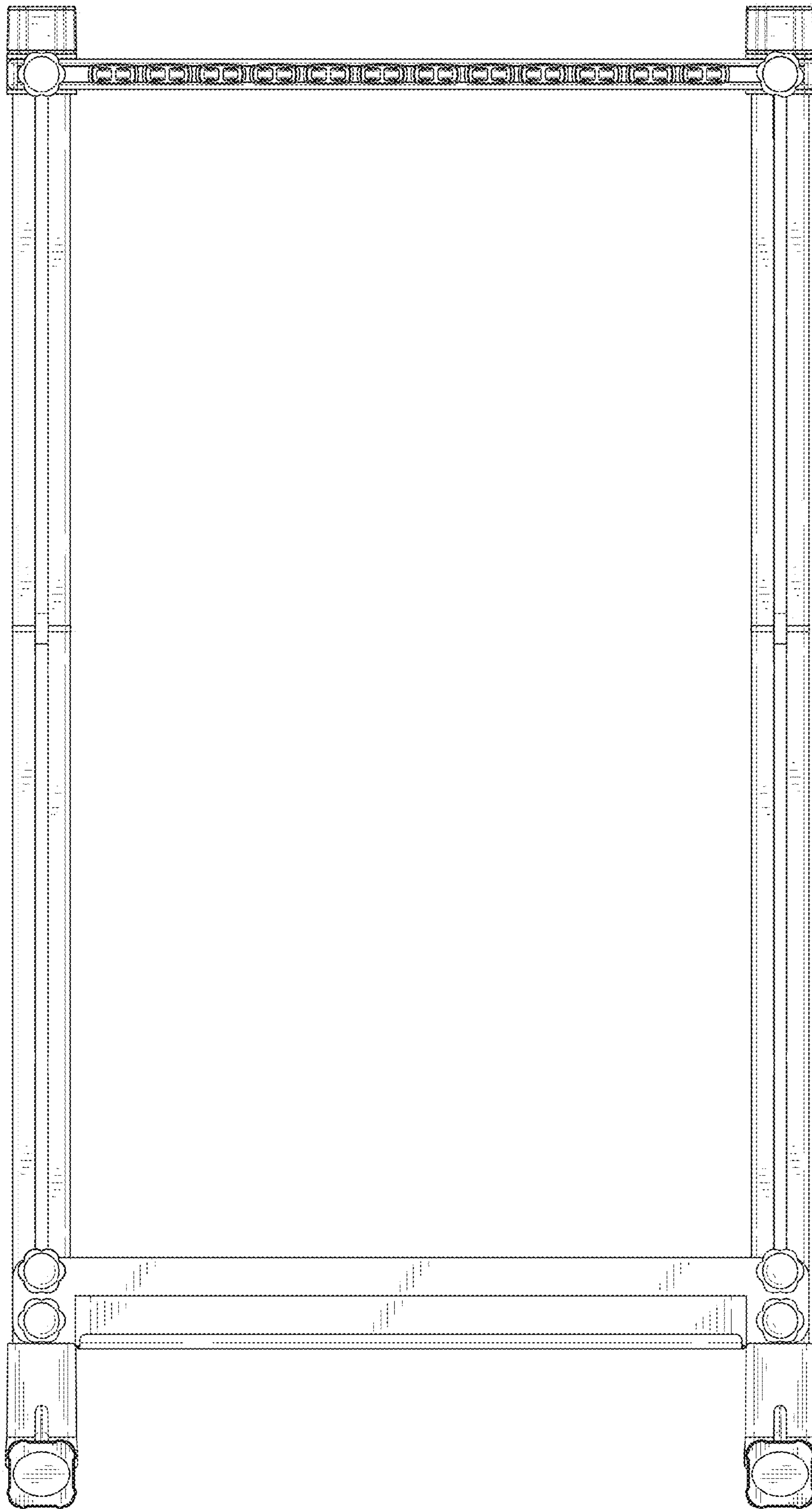


FIG. 4

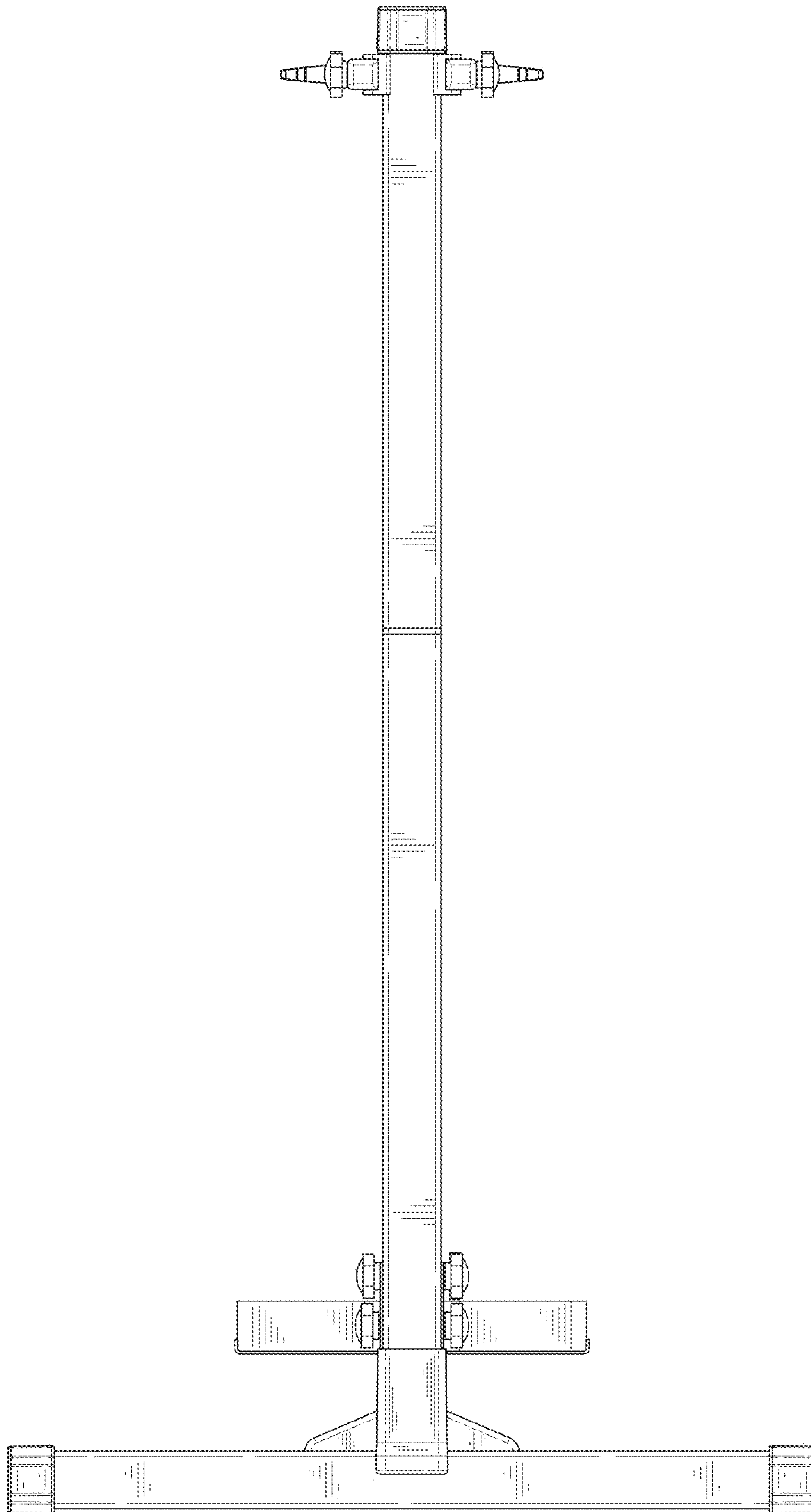


FIG. 5

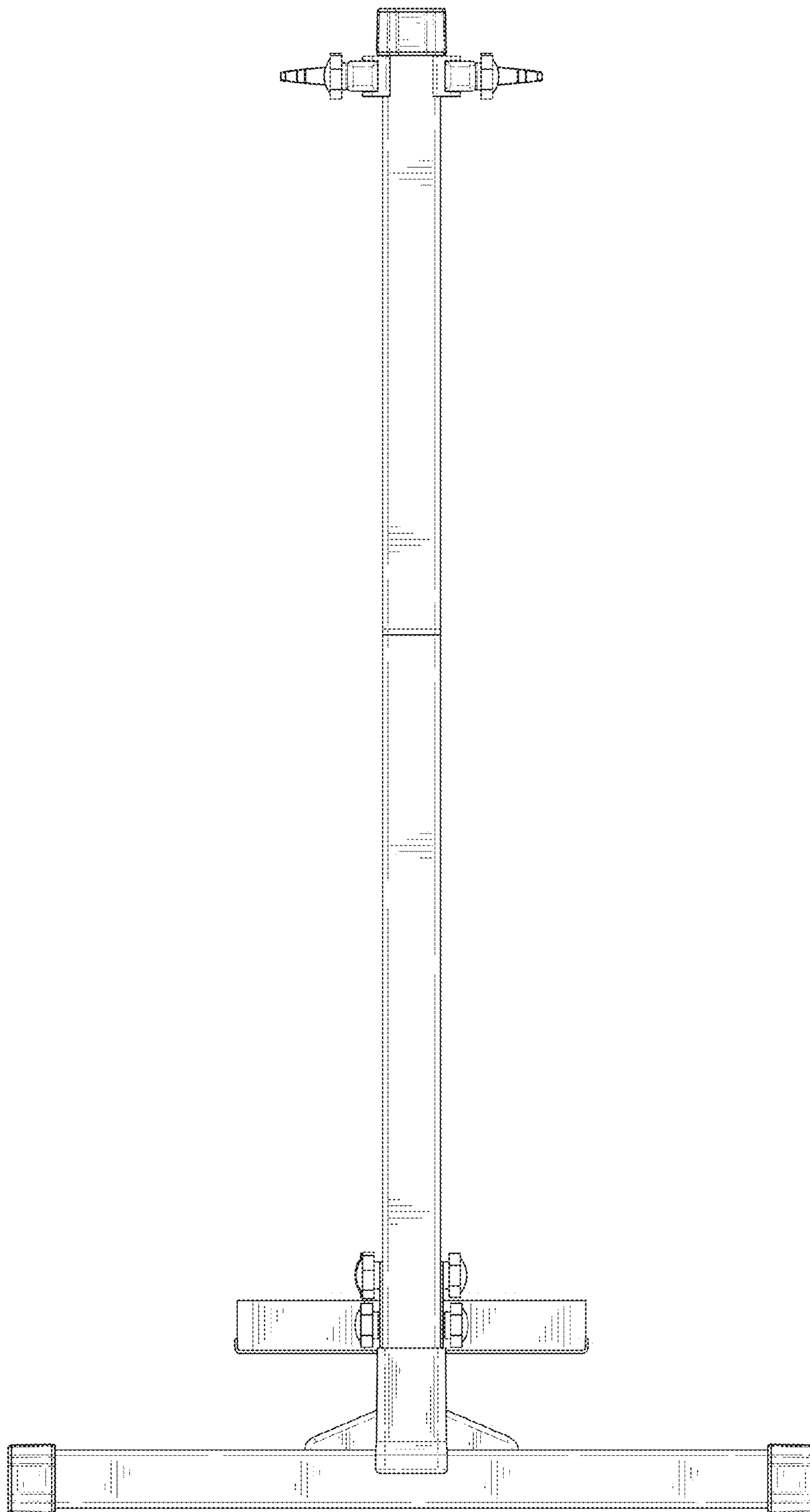


FIG. 6

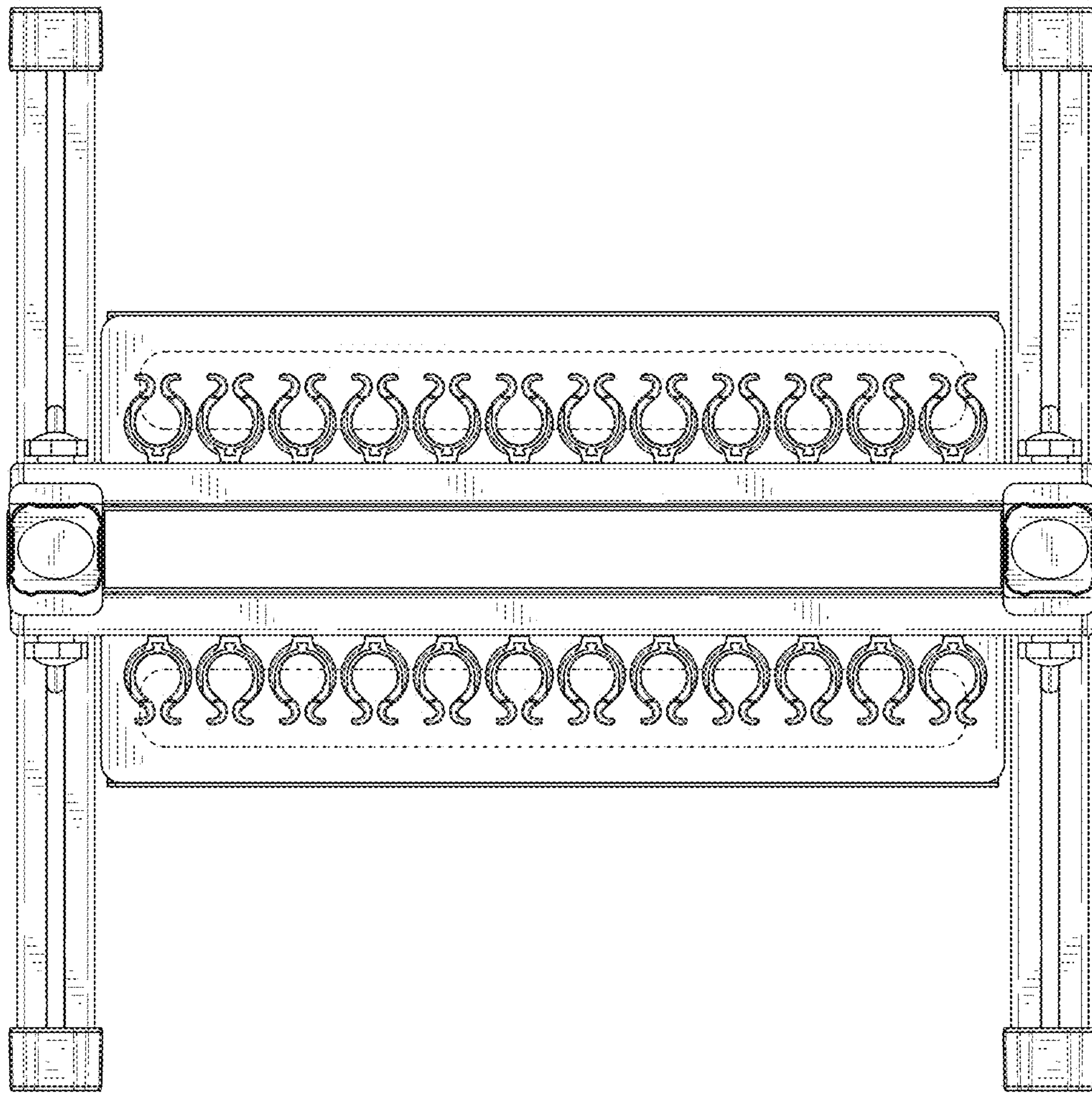


FIG. 7

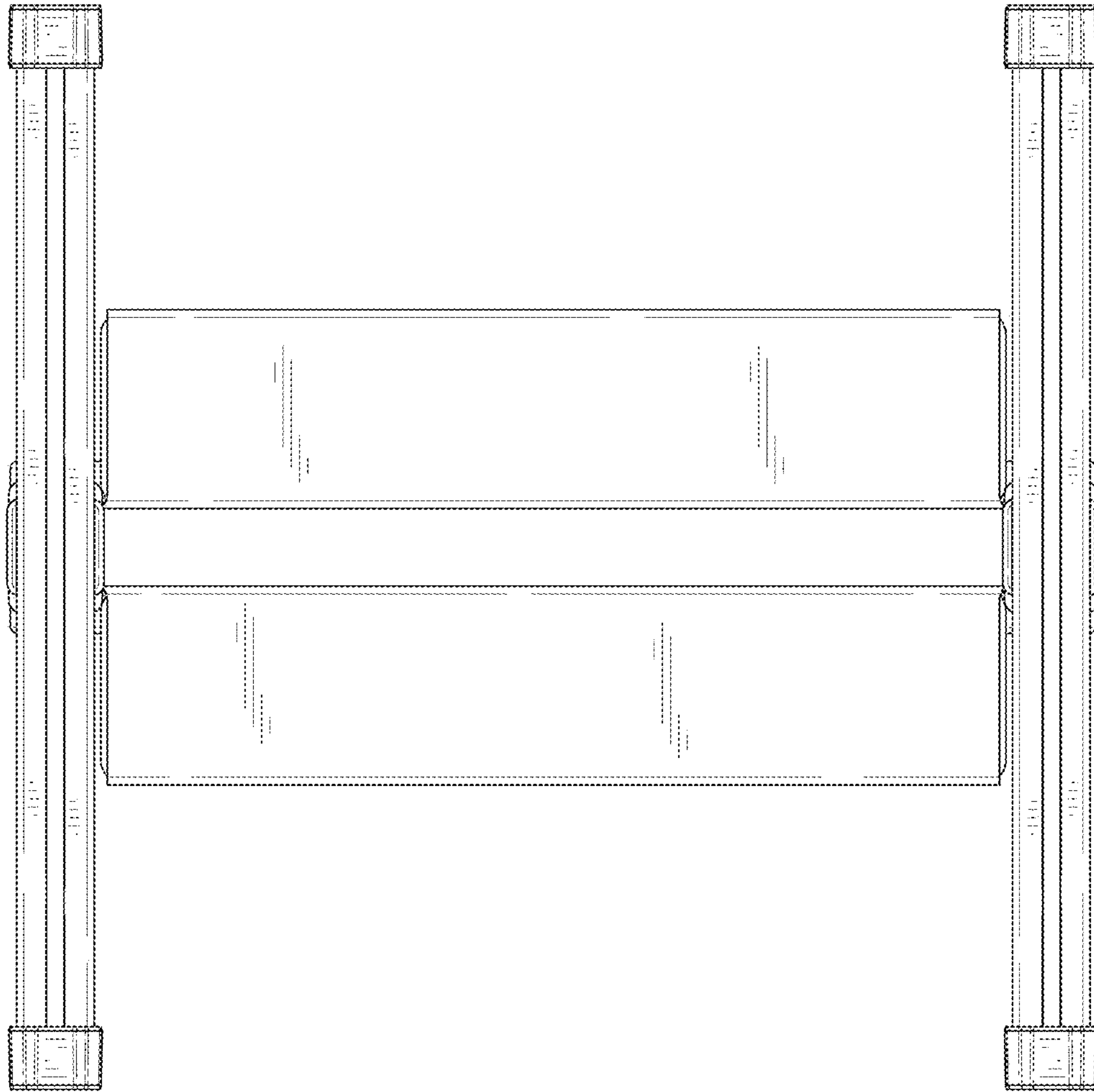


FIG. 8

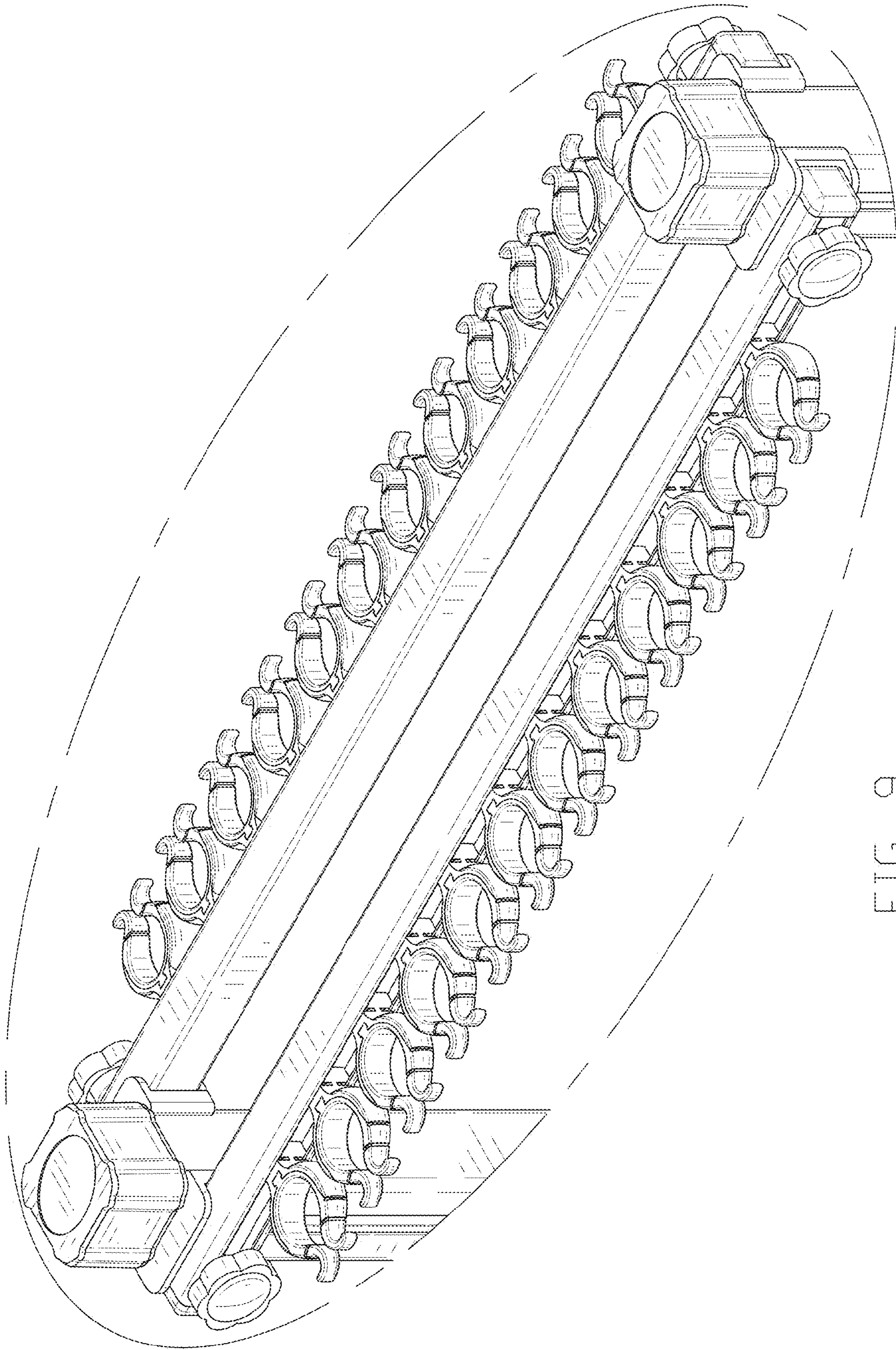


FIG. 9

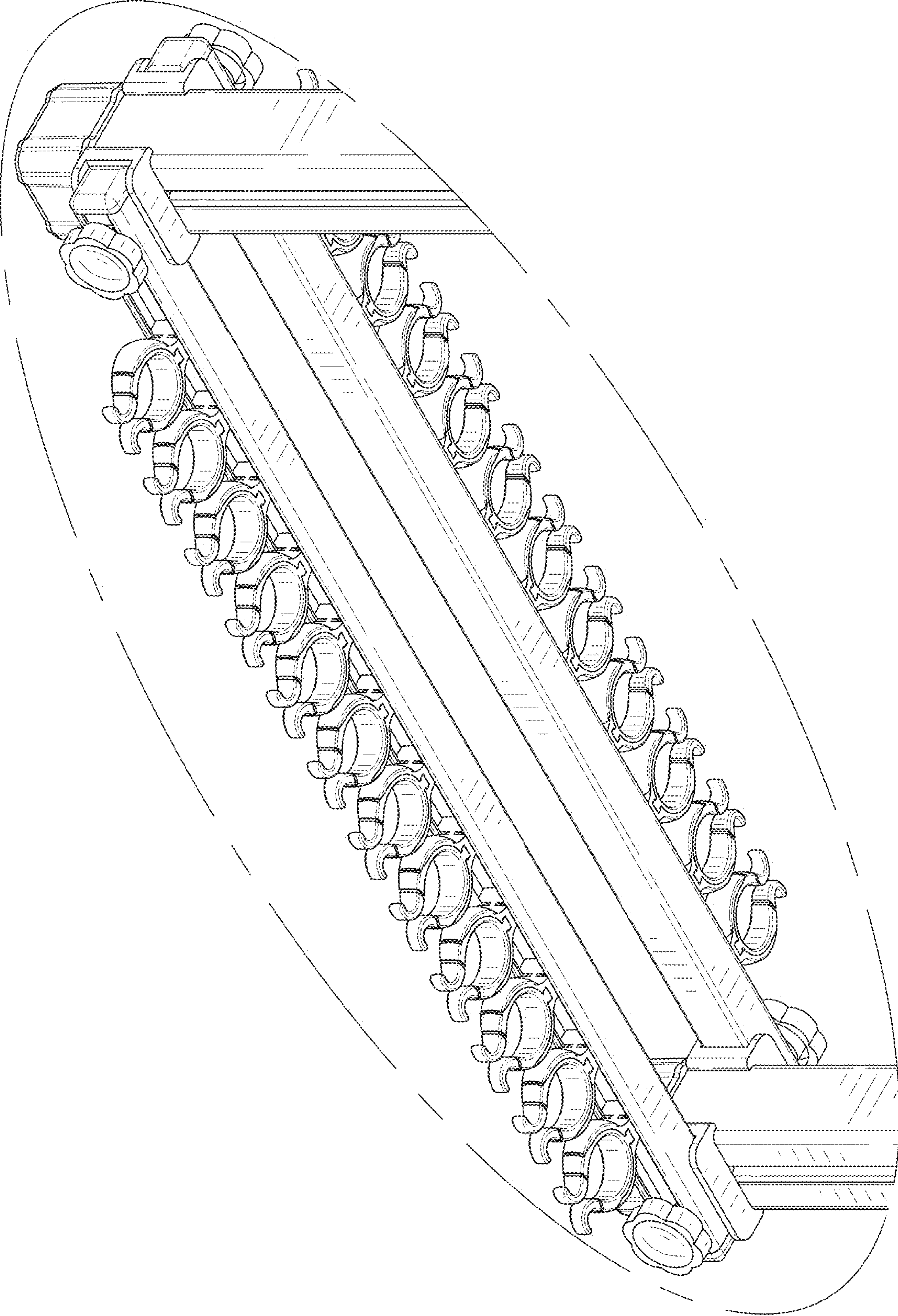


FIG. 10

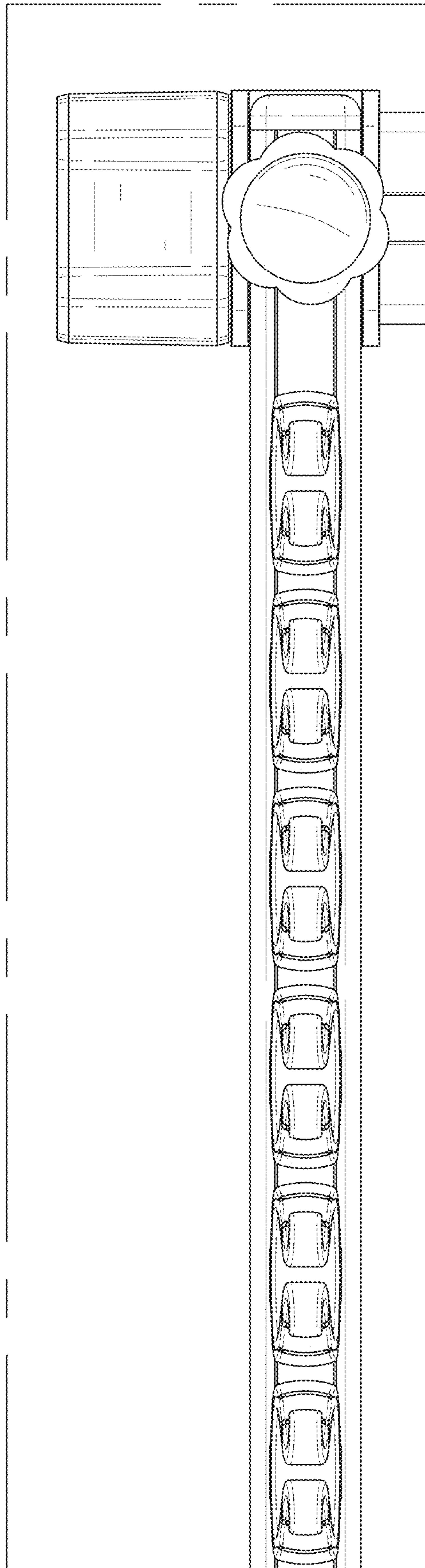


FIG. 11