



US00D971638S

(12) **United States Design Patent** (10) **Patent No.:** **US D971,638 S**
Allard et al. (45) **Date of Patent:** **** Dec. 6, 2022**

(54) **DOUBLE TOWEL BAR**

(71) Applicant: **Grohe AG**, Hemer (DE)

(72) Inventors: **Jochen Allard**, Duesseldorf (DE);
Michael Seum, Duesseldorf (DE)

(73) Assignee: **Grohe AG**, Hemer (DE)

(**) Term: **15 Years**

(21) Appl. No.: **29/732,212**

(22) Filed: **Apr. 22, 2020**

(30) **Foreign Application Priority Data**

Oct. 23, 2019 (EM) 007081724-0004

(51) **LOC (13) Cl.** **06-04**

(52) **U.S. Cl.**
USPC **D6/548**

(58) **Field of Classification Search**
USPC D6/546-550, 512-525; D8/300,
D8/315-321, 354, 363, 373, 380
CPC A47K 10/10; A47H 1/022
See application file for complete search history.

(56) **References Cited**

U.S. PATENT DOCUMENTS

D274,026 S *	5/1984	Boroch	D6/548
D422,171 S *	4/2000	Mahlmann	D6/548
D437,163 S *	2/2001	Fiegl	D6/548
D450,510 S *	11/2001	Gottwald	D6/548
D455,591 S *	4/2002	Zetsche	D6/548
D571,592 S *	6/2008	Bickler	D6/548
D576,830 S *	9/2008	Kristensen	D6/548
D590,645 S *	4/2009	Weststrate	D6/548
D613,540 S *	4/2010	Klein	D6/548

D613,983 S *	4/2010	Klein	D6/548
D617,593 S *	6/2010	Cohen	D6/548
D766,616 S *	9/2016	Citterio	D6/549
D788,490 S *	6/2017	Klein	D6/548

OTHER PUBLICATIONS

Amazon.com, Allure Brilliant 17 in. Two-Arm Towel Bar, Oct. 4, 2012, https://www.amazon.com/dp/B00I1LAQ4K?tag=price19163-20&ascsubtag=wtbs_6244b4adda0f36dc9f036858 (Year: 2012).*

* cited by examiner

Primary Examiner — Nathan M Johnston
(74) *Attorney, Agent, or Firm* — Muncy, Geissler, Olds & Lowe, P.C.

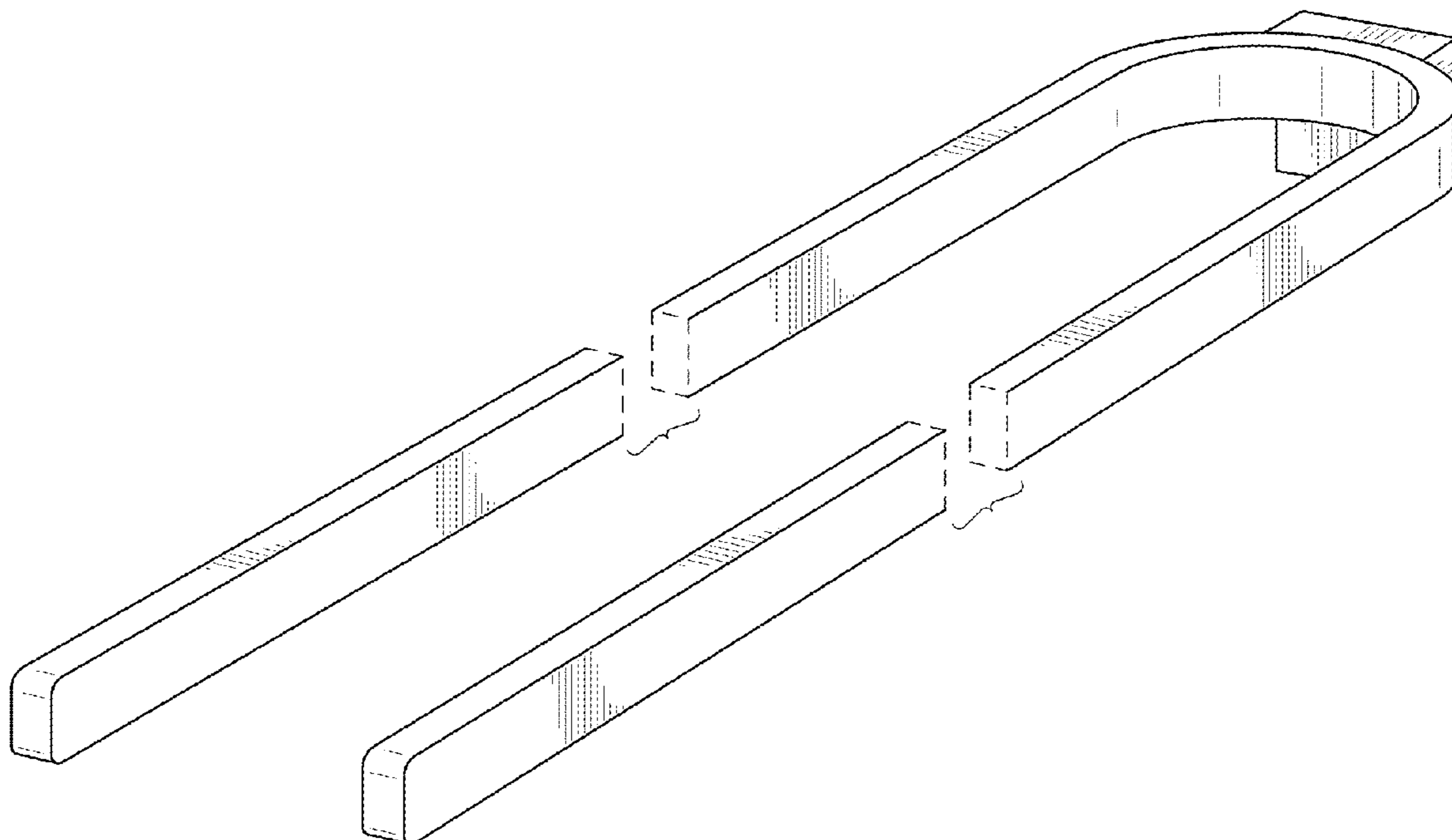
(57) **CLAIM**

The ornamental design for a double towel bar, pas shown and described.

DESCRIPTION

FIG. 1 is a front perspective view of a double towel bar according to the present invention.
FIG. 2 is a front view of the double towel bar of FIG. 1.
FIG. 3 is a rear view of the double towel bar of FIG. 1.
FIG. 4 is a left side view of the double towel bar of FIG. 1.
FIG. 5 is a right side view of the double towel bar of FIG. 1.
FIG. 6 is a top view of the double towel bar of FIG. 1; and, FIG. 7 is a bottom view of the double towel bar of FIG. 1.
The broken lines show portions of the double towel bar that form no part of the claimed design.
The double towel bar is shown with a symbolic break in its length. The appearance of any portion of the article between the break lines forms no part of the claimed design.

1 Claim, 7 Drawing Sheets



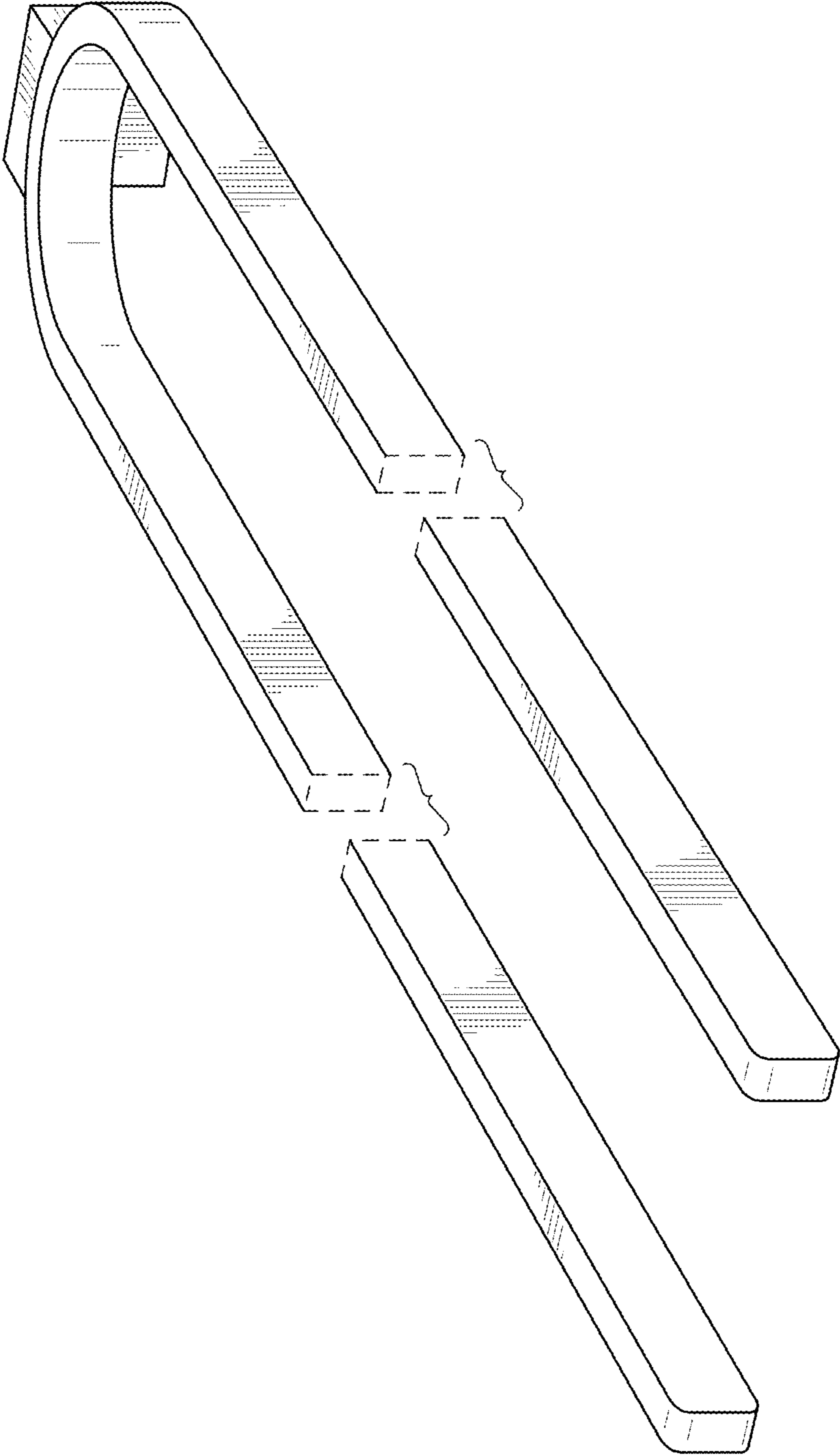


FIG.1

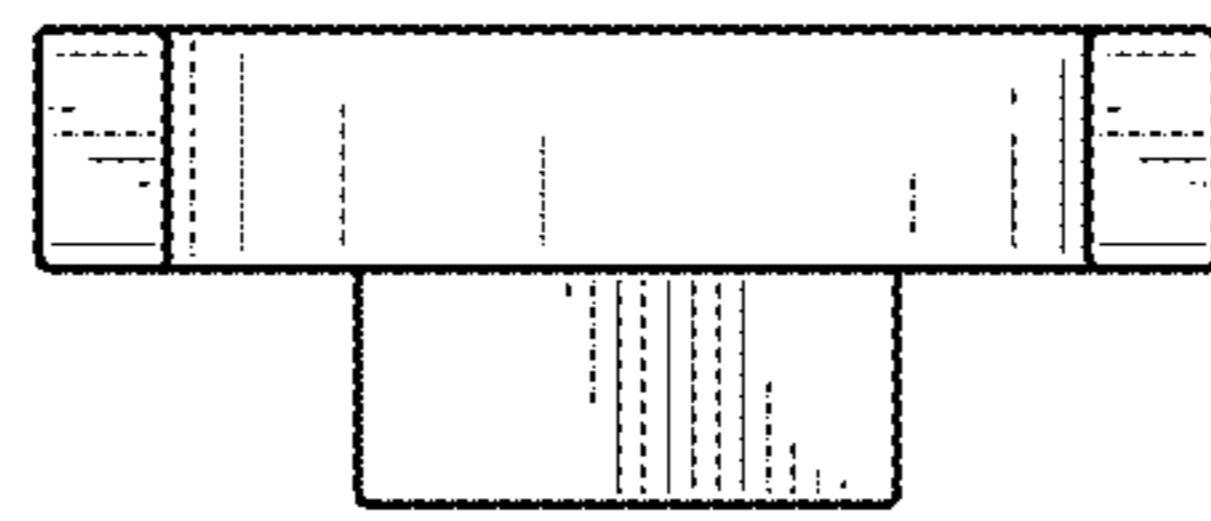


FIG.2

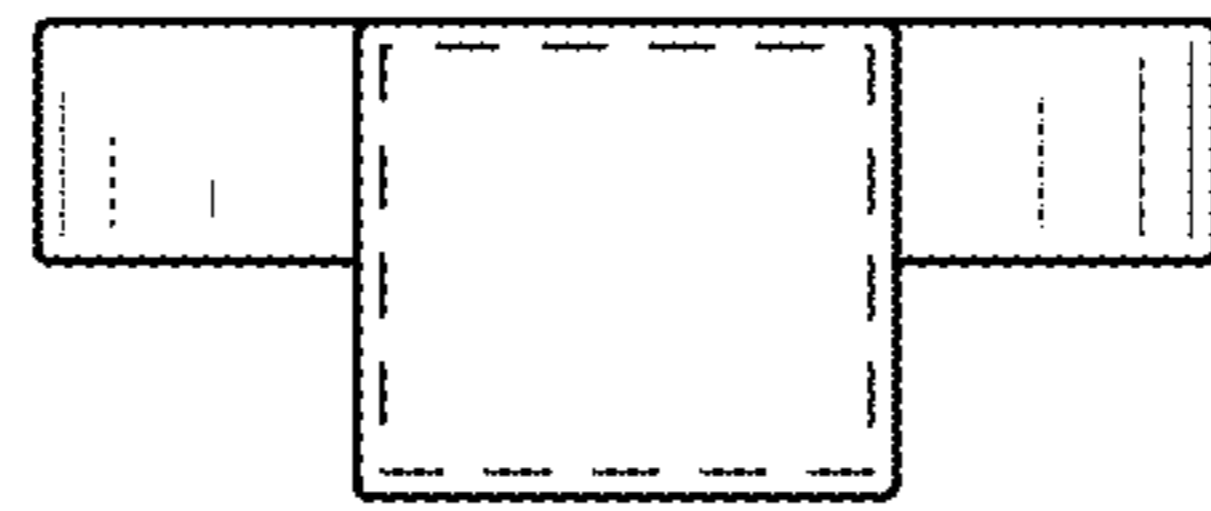


FIG.3

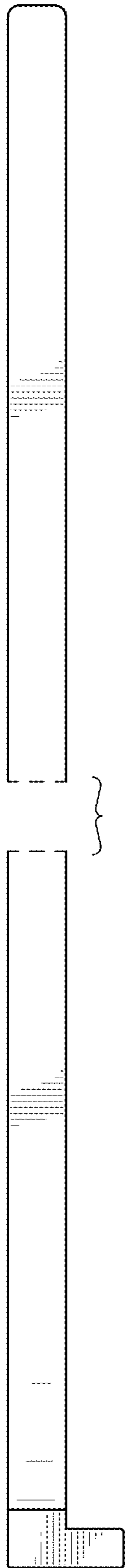


FIG.4

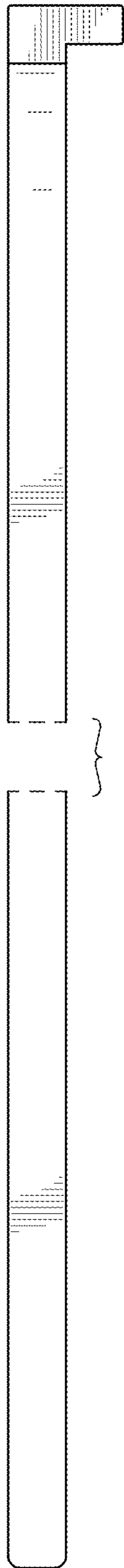


FIG.5

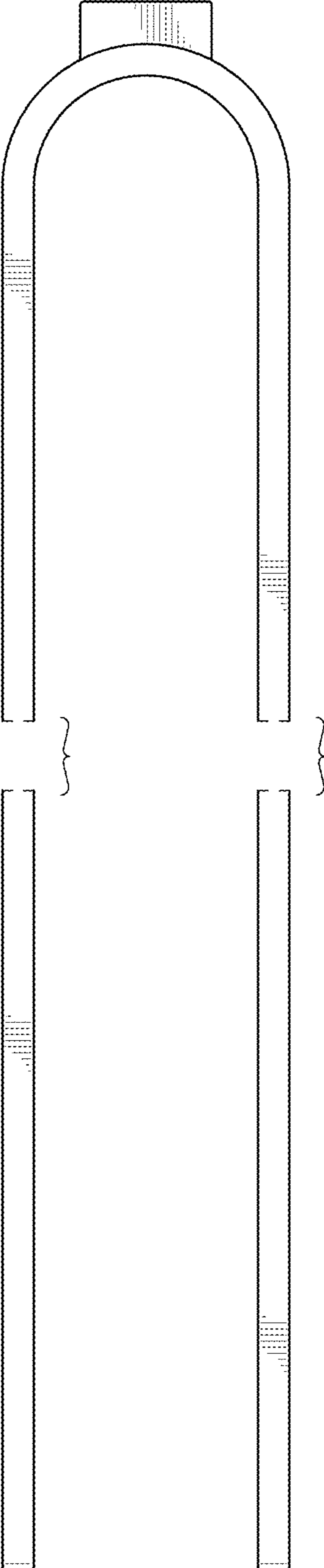


FIG.6

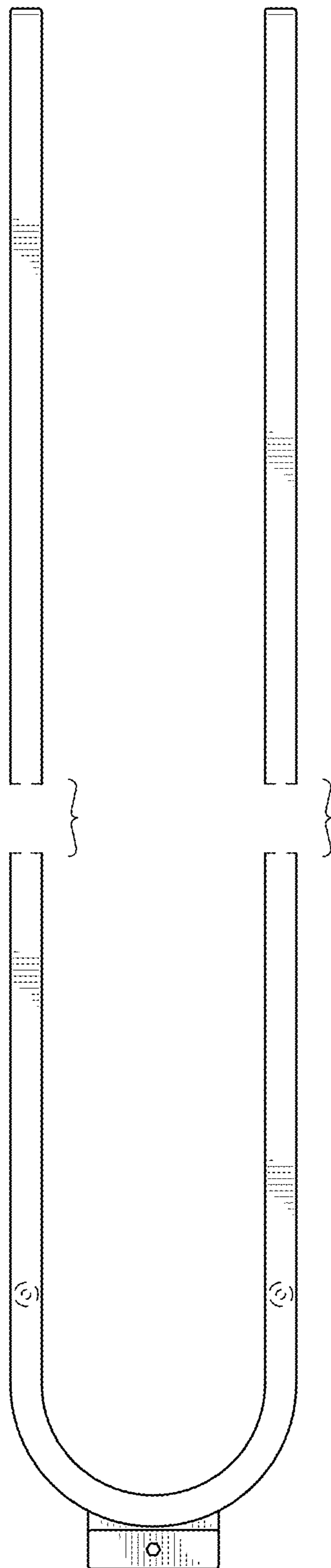


FIG.7