



US00D971636S

(12) **United States Design Patent** (10) **Patent No.:** **US D971,636 S**  
**Su** (45) **Date of Patent:** **\*\* Dec. 6, 2022**

(54) **SENSOR SOAP DISPENSER**  
(71) Applicant: **Dongguan Fengjie Bathroom Co., Ltd.**, Guangdong (CN)  
(72) Inventor: **Zhengbing Su**, Hunan (CN)  
(73) Assignee: **DongGuan Fengjie Bathroom Co., Ltd.**  
(\*\*) Term: **15 Years**

D840,712 S \* 2/2019 Buell ..... D6/545  
D862,112 S \* 10/2019 Tojek ..... D6/545  
D929,767 S \* 9/2021 Turturro ..... D6/545  
11,253,110 B1 \* 2/2022 Spandl ..... A47K 5/12  
D964,066 S \* 9/2022 Su ..... D6/542  
(Continued)

**FOREIGN PATENT DOCUMENTS**

CN 306681611 \* 7/2021  
EM 008266290-0001 \* 11/2020  
(Continued)

(21) Appl. No.: **29/757,352**  
(22) Filed: **Nov. 5, 2020**  
(51) **LOC (13) Cl.** ..... **23-08**  
(52) **U.S. Cl.**  
USPC ..... **D6/545**  
(58) **Field of Classification Search**  
USPC ..... D6/524, 542-545, 540, 515, 527, 530;  
D9/448, 504, 454, 688, 500, 691-693;  
D23/238, 225, 247; D32/29.1; 241/602;  
239/343; 222/105, 173, 180, 181.1,  
222/181.2, 181.3, 82  
CPC ..... A47K 5/1217; A47K 5/12; A47K 5/1207;  
A47K 2005/1218  
See application file for complete search history.

**OTHER PUBLICATIONS**

Touchless Automatic Hand Sanitizer Dispenser. (online) 6 pgs. Available Dec. 10, 2020. [Retrieved Mar. 22, 2022] <https://level1health.com/product/touchless-automatic-hand-sanitizer-dispenser-wall-mount/#reviews> (Year: 2020).\*

*Primary Examiner* — Marie D. Fast Horse  
*Assistant Examiner* — Jennifer Sierra Yosinski

(57) **CLAIM**

The ornamental design for a sensor soap dispenser, as shown and described.

**DESCRIPTION**

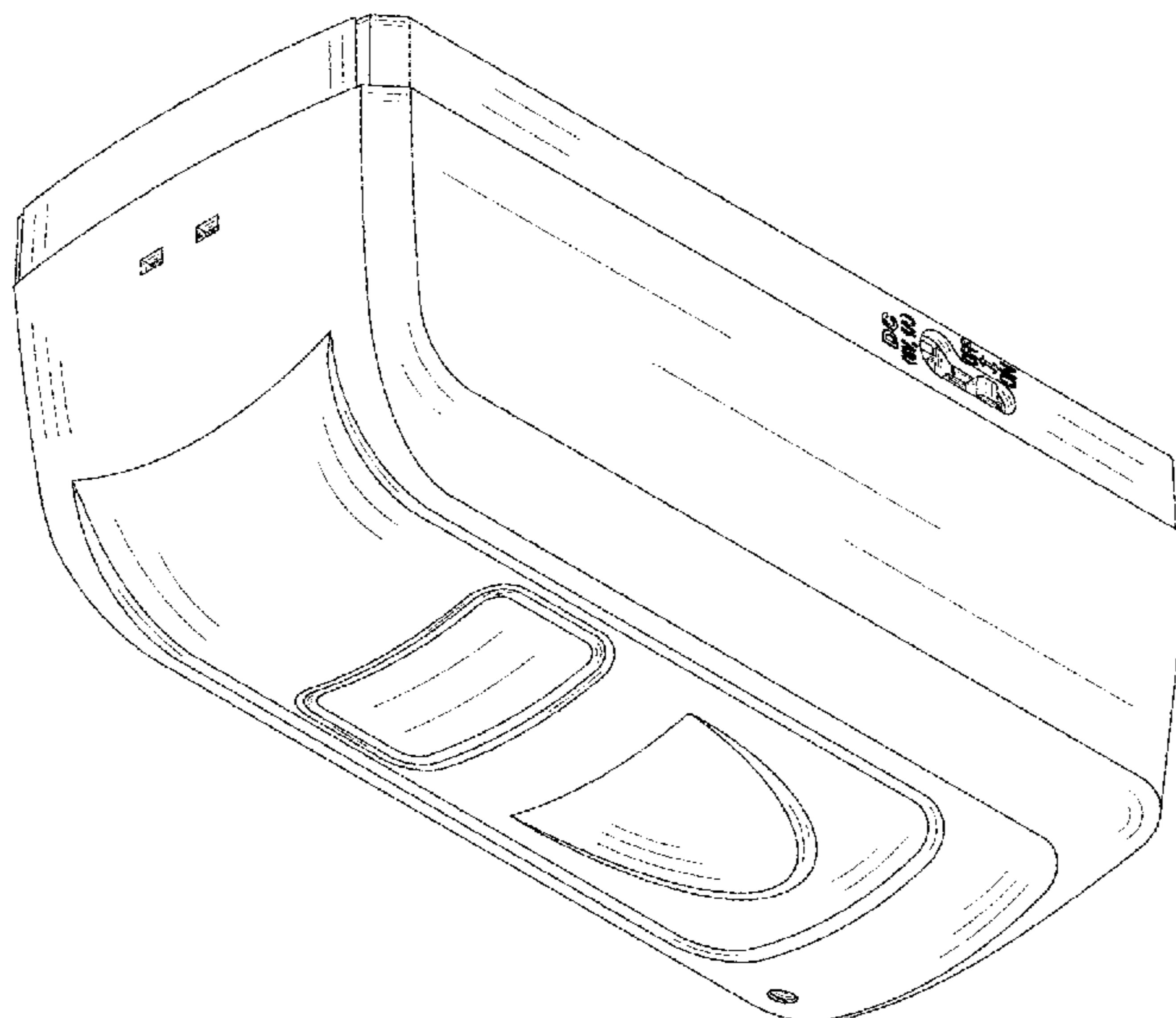
FIG. 1 is a front view of the sensor soap dispenser showing my new design;  
FIG. 2 is a back view thereof;  
FIG. 3 is a left side view thereof;  
FIG. 4 is a right side view thereof;  
FIG. 5 is a top view thereof;  
FIG. 6 is a bottom view thereof;  
FIG. 7 is a perspective view thereof; and,  
FIG. 8 is another perspective view thereof.  
The broken lines shown in the drawings depict portions of the sensor soap dispenser that form no part of the claimed design.

**1 Claim, 8 Drawing Sheets**

(56) **References Cited**

**U.S. PATENT DOCUMENTS**

D287,448 S \* 12/1986 Yoo ..... D6/542  
D359,868 S \* 7/1995 Brandenburg ..... D6/545  
D372,824 S \* 8/1996 Lin ..... D6/545  
D379,728 S \* 6/1997 Simon ..... D6/545  
D387,931 S \* 12/1997 Chen ..... D6/545  
D480,247 S \* 10/2003 Ciavarella ..... D6/545  
D484,721 S \* 1/2004 Chou ..... D6/545  
D530,125 S \* 10/2006 Vignot ..... D6/545  
D552,905 S \* 10/2007 Haworth ..... D6/545  
D773,850 S \* 12/2016 Schalitz ..... D6/542  
D801,722 S \* 11/2017 Indruk ..... D6/545  
D831,377 S \* 10/2018 Blick ..... D6/545



(56)

**References Cited**

U.S. PATENT DOCUMENTS

2004/0232168 A1\* 11/2004 Ciavarella ..... A47K 5/1202  
222/181.3  
2011/0095050 A1\* 4/2011 Hagleitner ..... A47K 10/34  
222/25  
2011/0101026 A1\* 5/2011 Hagleitner ..... A47K 5/12  
222/113  
2016/0051095 A1\* 2/2016 Ophardt ..... A47K 5/12  
222/173  
2016/0309967 A1\* 10/2016 Pelfrey ..... A47K 5/1215  
2017/0020348 A1\* 1/2017 Schalitz ..... B05B 15/62  
2022/0160185 A1\* 5/2022 Spandl ..... A47K 5/1207

FOREIGN PATENT DOCUMENTS

GB 6106891 \* 11/2020  
GB 9008266290-0001 \* 11/2020

\* cited by examiner

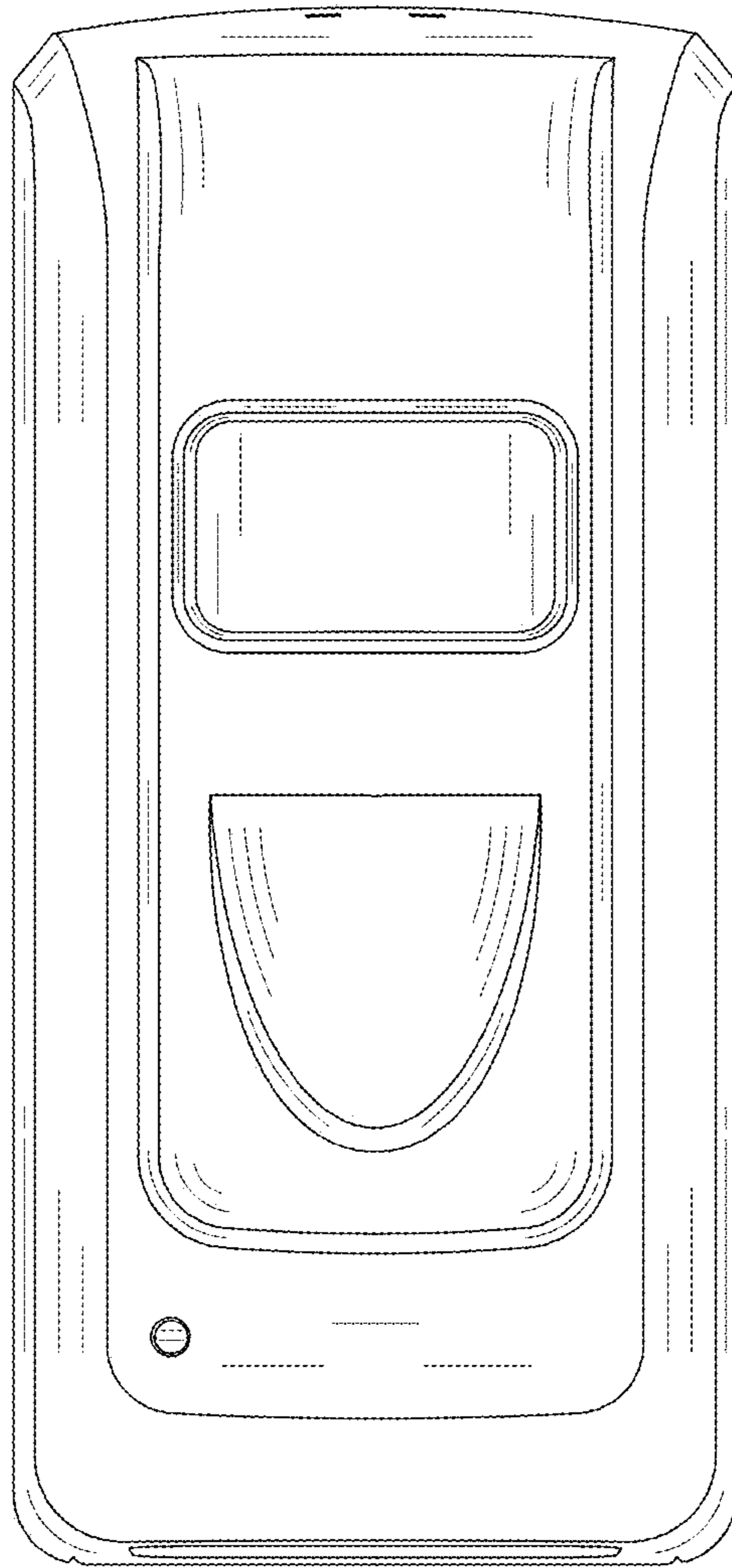


FIG. 1

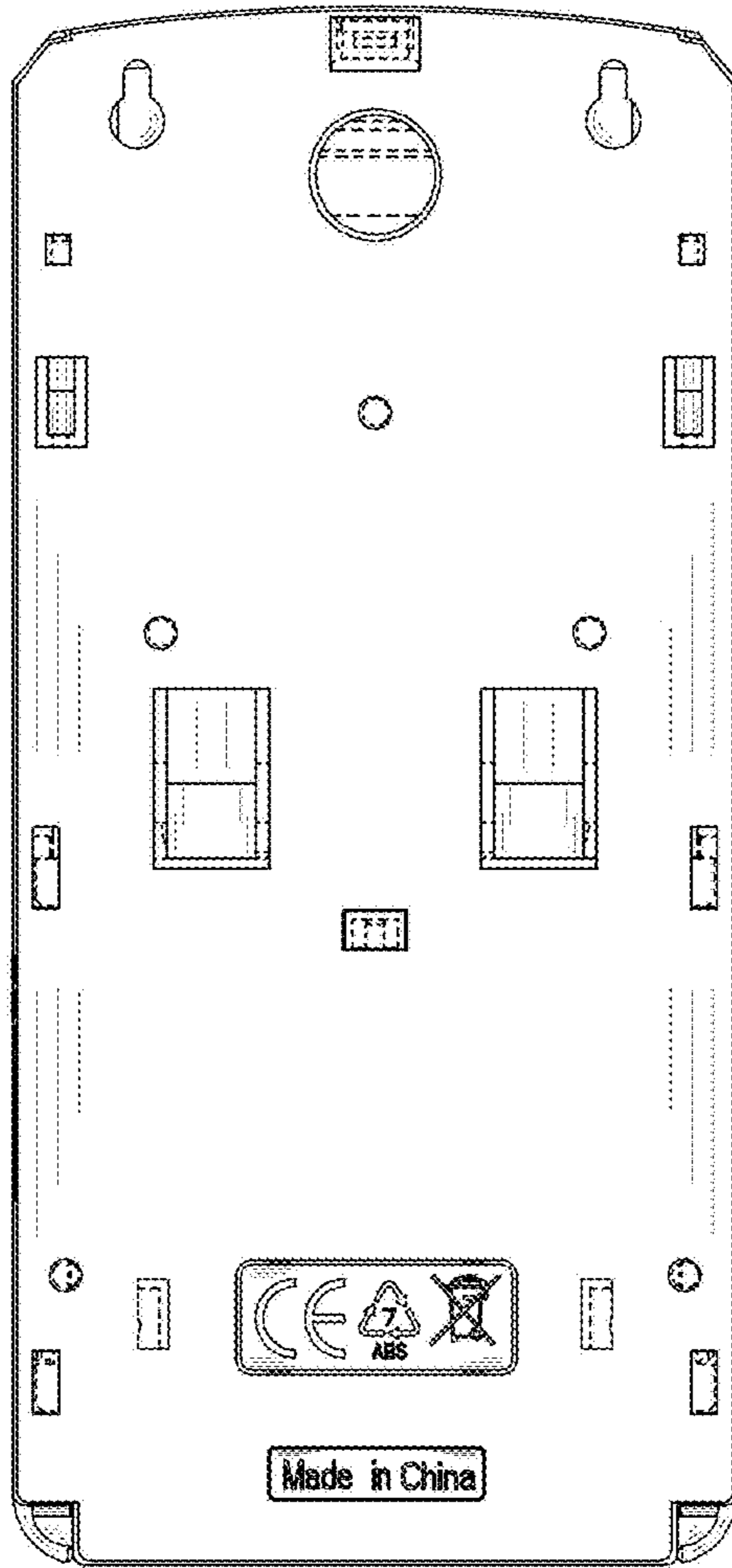


FIG. 2

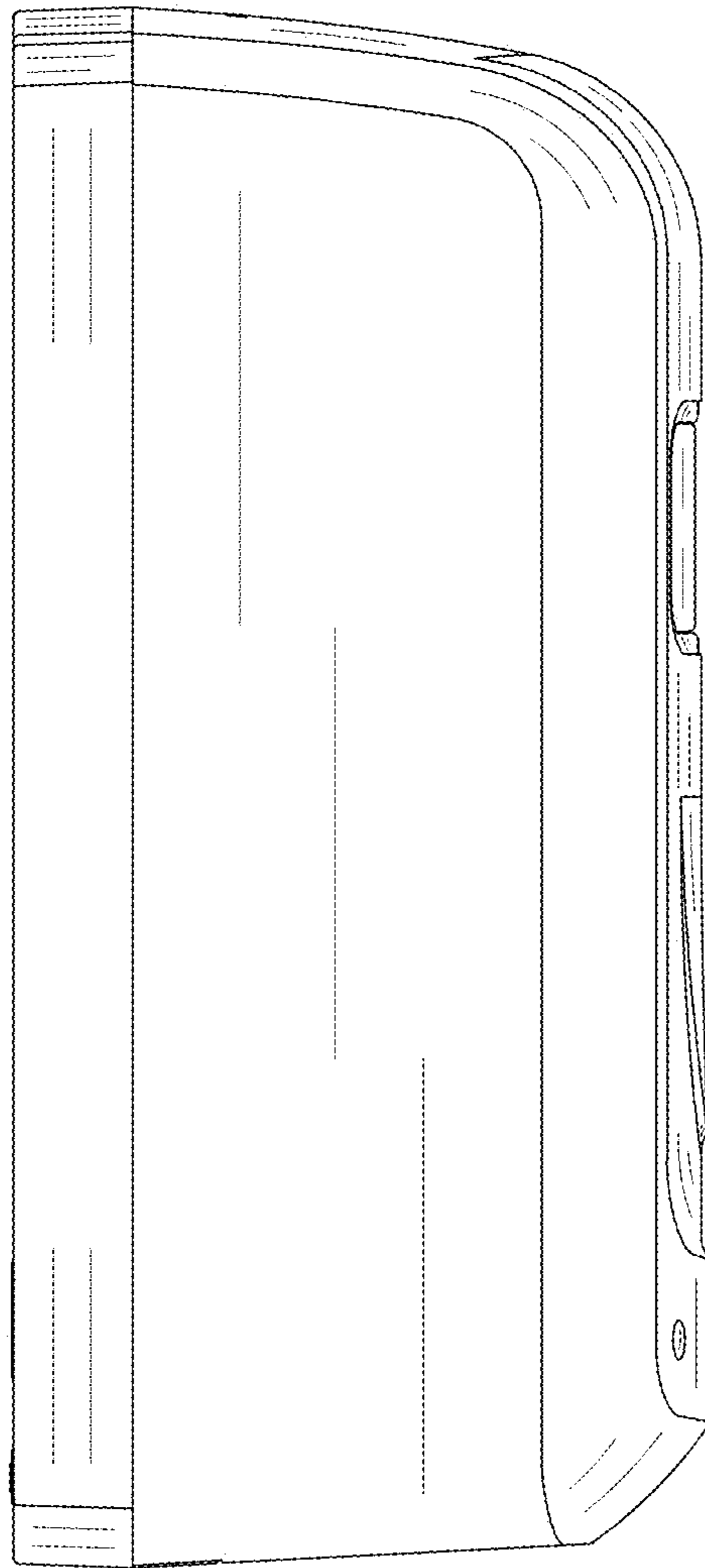


FIG. 3

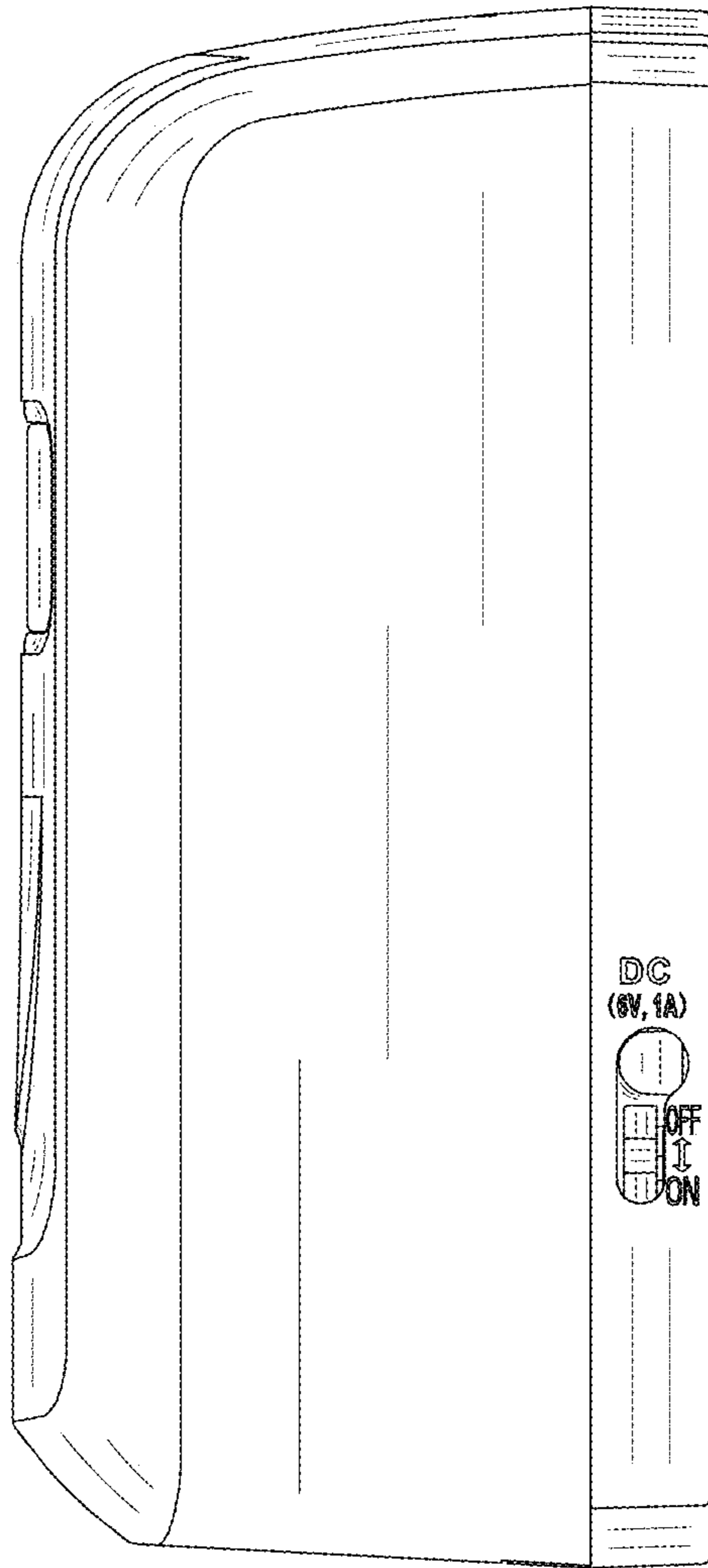


FIG. 4

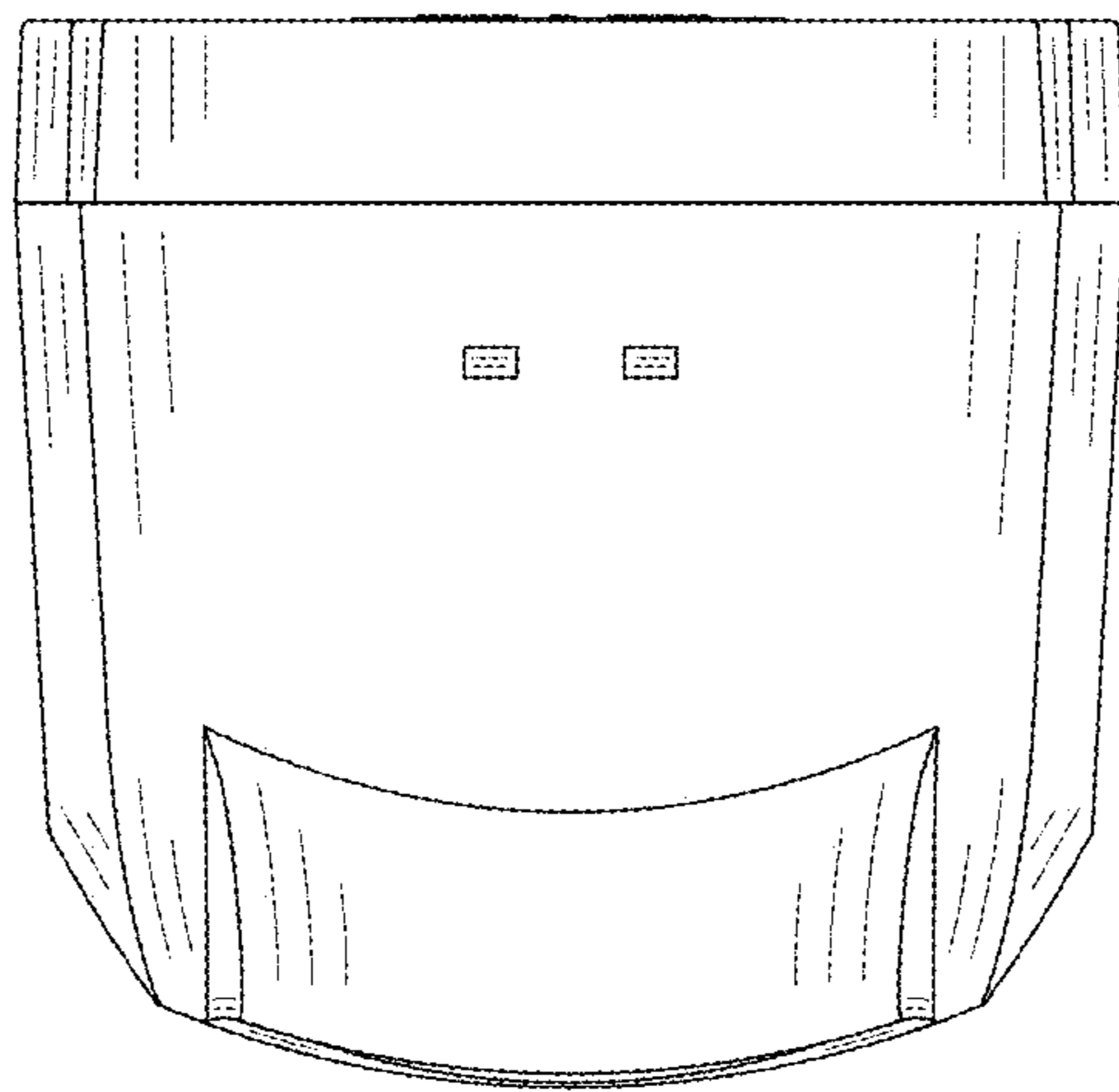


FIG. 5

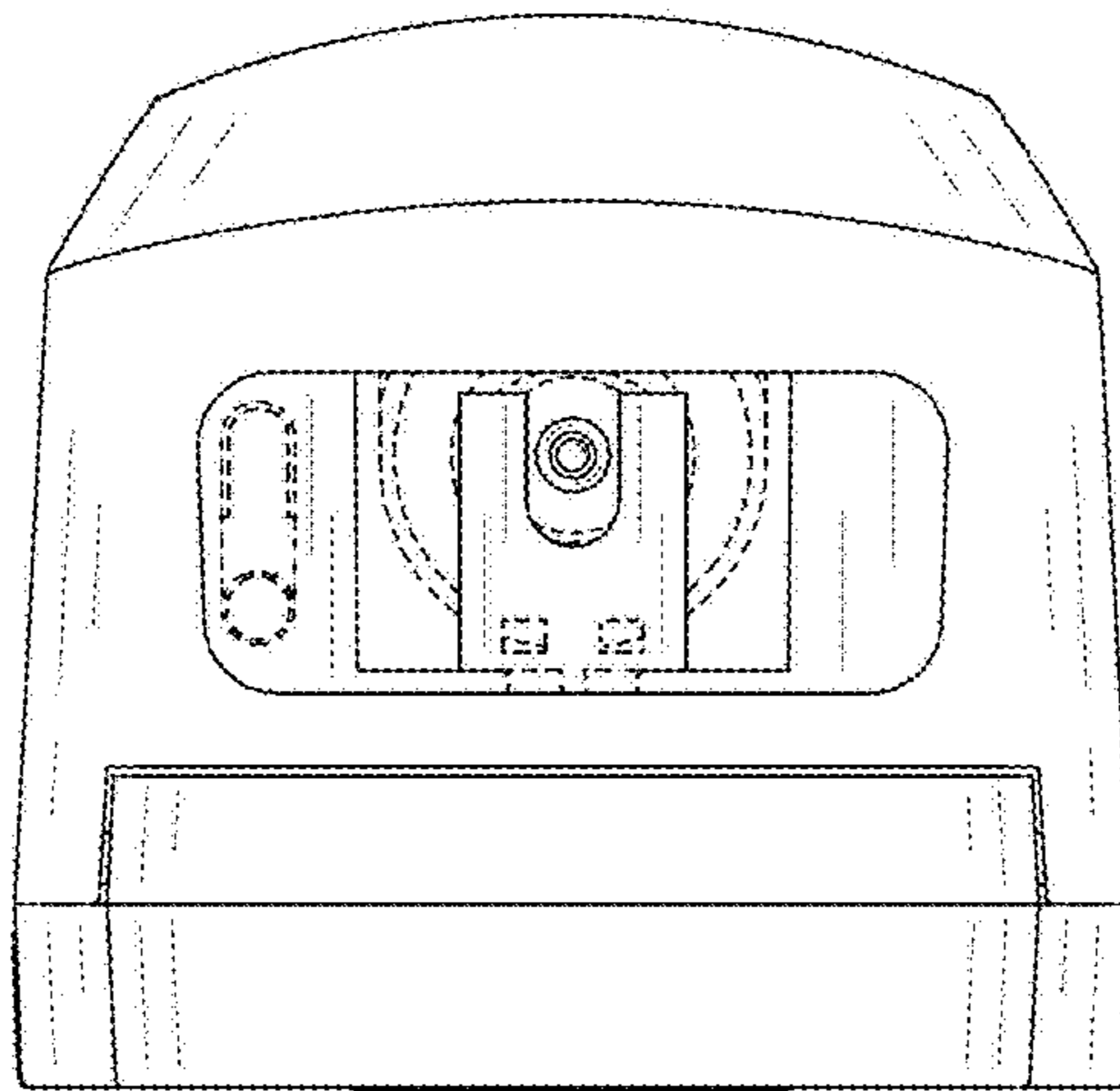


FIG. 6



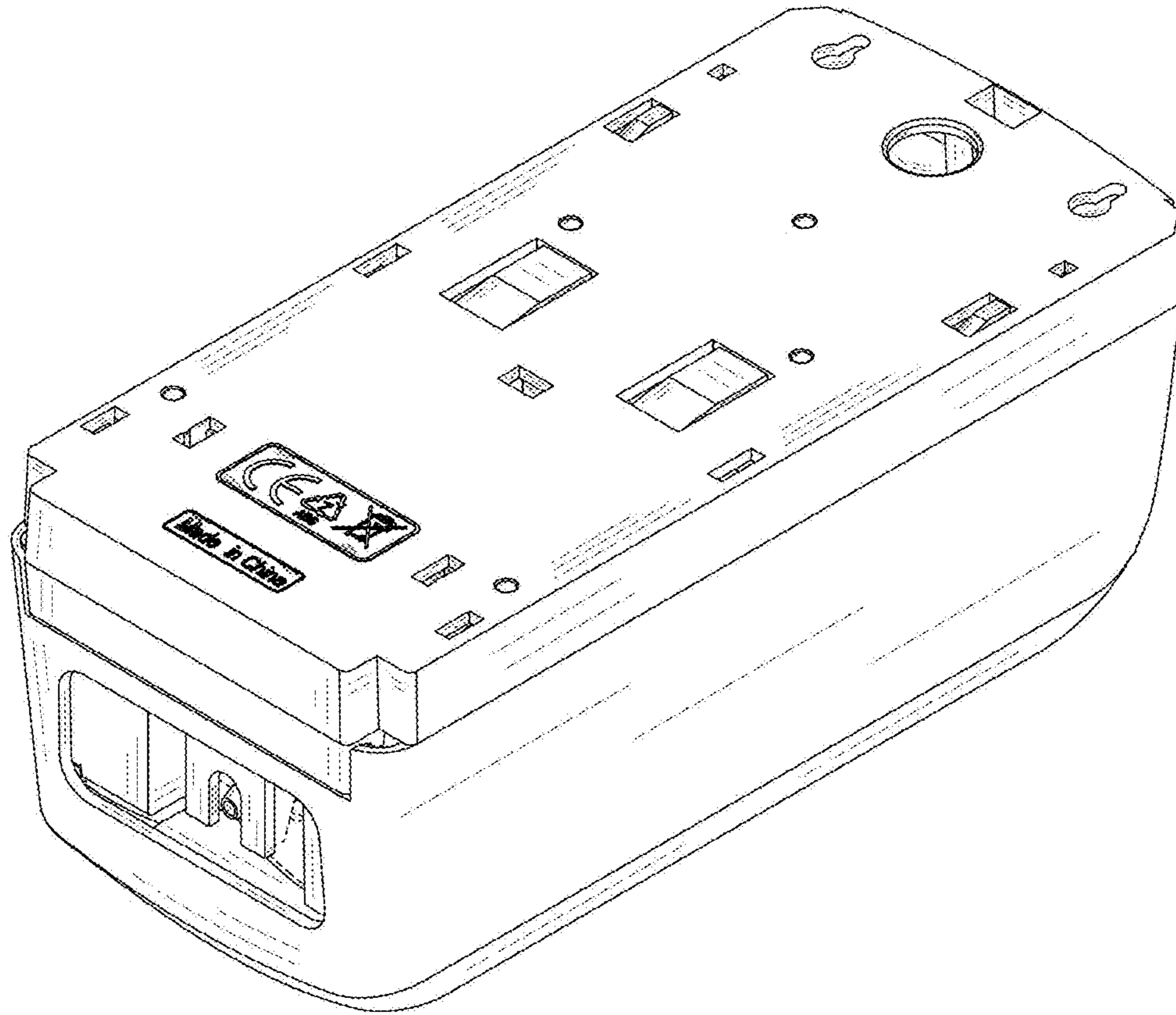


FIG. 7

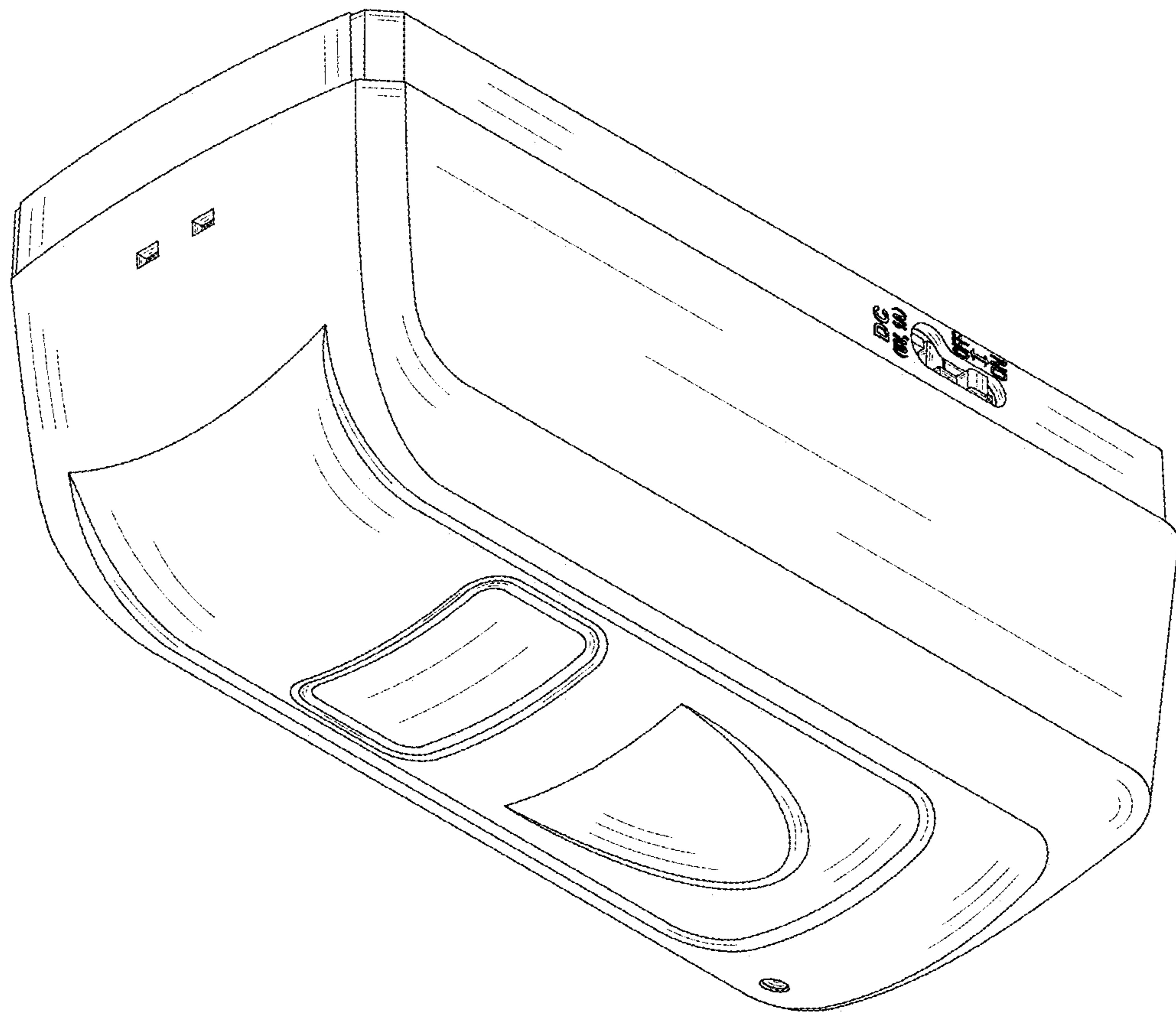


FIG. 8