



US00D971629S

(12) **United States Design Patent** (10) **Patent No.:** **US D971,629 S**
Yang (45) **Date of Patent:** **** Dec. 6, 2022**

(54) **BAG CARTRIDGE**
(71) Applicant: **Huizhou Haoyunbao Trade Ltd,**
Huizhou (CN)
(72) Inventor: **Weihong Yang,** Huizhou (CN)
(73) Assignee: **HUIZHOU HAOYUNBAO TRADE LTD,** Huizhou (CN)
(**) Term: **15 Years**
(21) Appl. No.: **29/774,330**
(22) Filed: **Mar. 16, 2021**
(51) **LOC (13) Cl.** **06-06**
(52) **U.S. Cl.**
USPC **D6/515**
(58) **Field of Classification Search**
USPC D9/438, 441, 443, 503; D6/512, 513,
D6/515, 518, 519, 553; D7/554.1, 565,
D7/566, 584, 615, 630, 677; D8/397,
D8/399; D14/475, 483, 484; D34/1, 5,
D34/6, 10, 11
CPC . A41B 2400/52; B32B 2439/46; B65B 67/00;
B65B 67/04; B65F 1/00; B65F 1/062;
B65F 1/0006; B65F 1/06; B65F 1/16;
B65F 2210/167; B65F 2240/132; E01H
2001/124; E01H 2001/1286; E01H
1/1206; E01H 2001/128
See application file for complete search history.

(56) **References Cited**
U.S. PATENT DOCUMENTS
D98,741 S * 2/1936 Taieb D9/422
D285,128 S * 8/1986 Yuen D28/77
D301,771 S * 6/1989 Bakic D28/86
D458,127 S * 6/2002 de Groote D9/423
D482,498 S * 11/2003 Jeong D28/86
D512,218 S * 12/2005 Tagliati D3/273
D520,502 S * 5/2006 Xu D14/356
D608,660 S * 1/2010 Mau D9/734

D623,452 S * 9/2010 McNeely D6/518
D663,632 S * 7/2012 Peters D9/734
D673,429 S * 1/2013 Gilbert D7/629
D749,279 S * 2/2016 Garvey D30/199
D796,223 S * 9/2017 Madsen D6/518
D822,331 S * 7/2018 Elejalde D1/127
D883,925 S * 5/2020 Yoon D13/108
(Continued)

OTHER PUBLICATIONS

Nappy Disposal System Refill Cassettes, posted at Amazon.co.uk on Oct. 31, 2007, [site visited Jun. 15, 2022]. Available from internet, URL: <<https://www.amazon.co.uk/Angelcare-Disposal-System-Refill-Cassettes/dp/B00143XJ7I/>> (Year: 2007).*

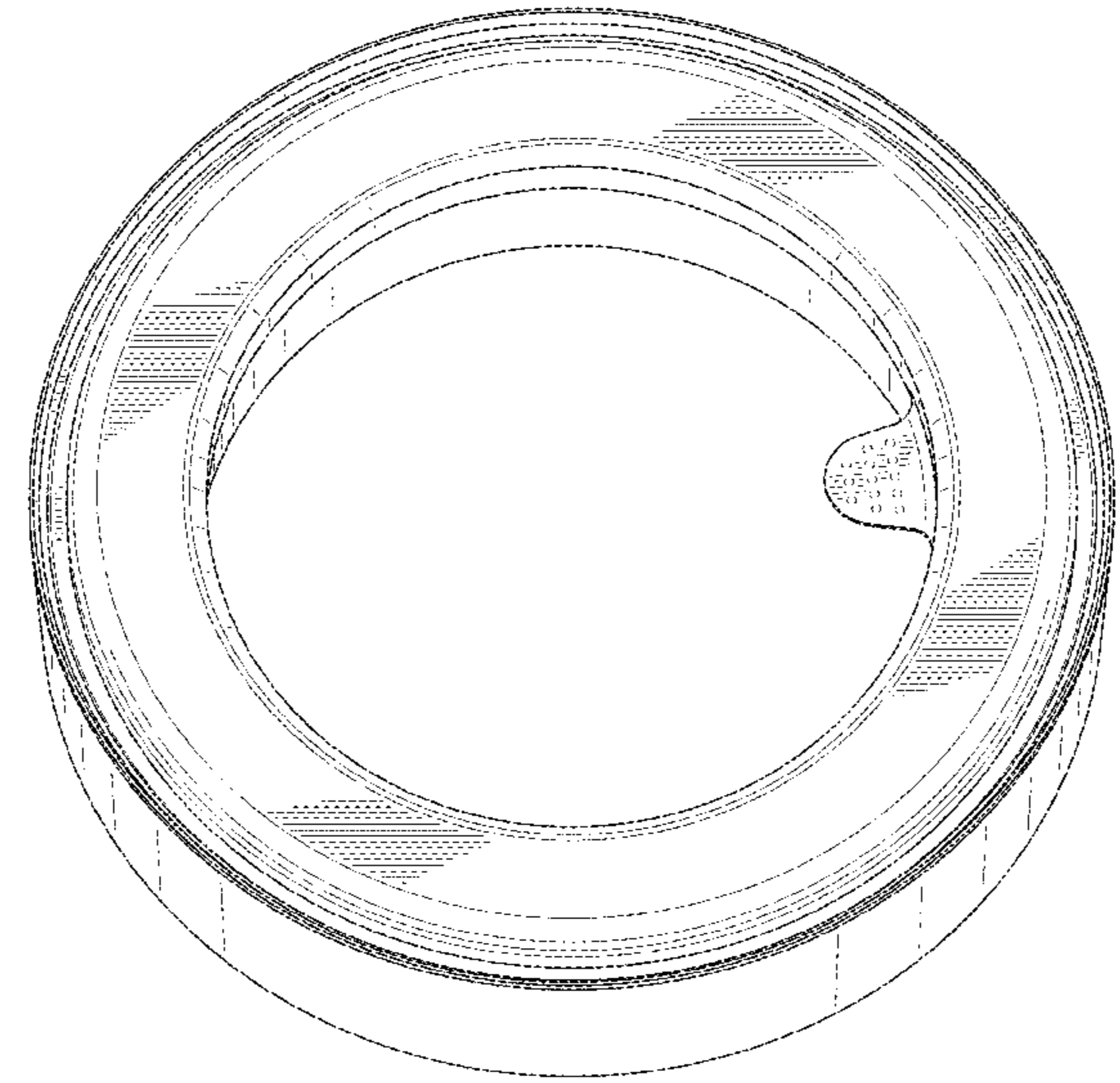
Primary Examiner — Andrew Kerr
Assistant Examiner — Chariton Alexakis
(74) *Attorney, Agent, or Firm* — Karish & Bjorgum, PC

(57) **CLAIM**
The ornamental design for a bag cartridge, as shown and described.

DESCRIPTION

FIG. 1 is a top perspective view of a bag cartridge showing my new design;
FIG. 2 is a bottom perspective view thereof;
FIG. 3 is a side elevation view thereof, all of the other side elevation views are identical;
FIG. 4 is a top plan view thereof;
FIG. 5 is a bottom plan view thereof;
FIG. 6 is a top perspective view of the bag cartridge of FIG. 1, with top portion removed to show aspects of the design that are not visible when combined;
FIG. 7 is a top view thereof; and,
FIG. 8 is a side elevation view thereof, all of the other side elevation views are identical.
The features shown in dashed lines form no part of the design and are not claimed.

1 Claim, 6 Drawing Sheets



(56)

References Cited

U.S. PATENT DOCUMENTS

D892,124 S	*	8/2020	Shim	D14/435
D900,471 S	*	11/2020	Jones	D3/294
D903,588 S	*	12/2020	Shoemake	D13/103
D917,388 S	*	4/2021	Bonilla	D13/108
D919,565 S	*	5/2021	Liu	D3/294
D933,595 S	*	10/2021	Geng	D3/294
D942,944 S	*	2/2022	Liao	D3/294

* cited by examiner

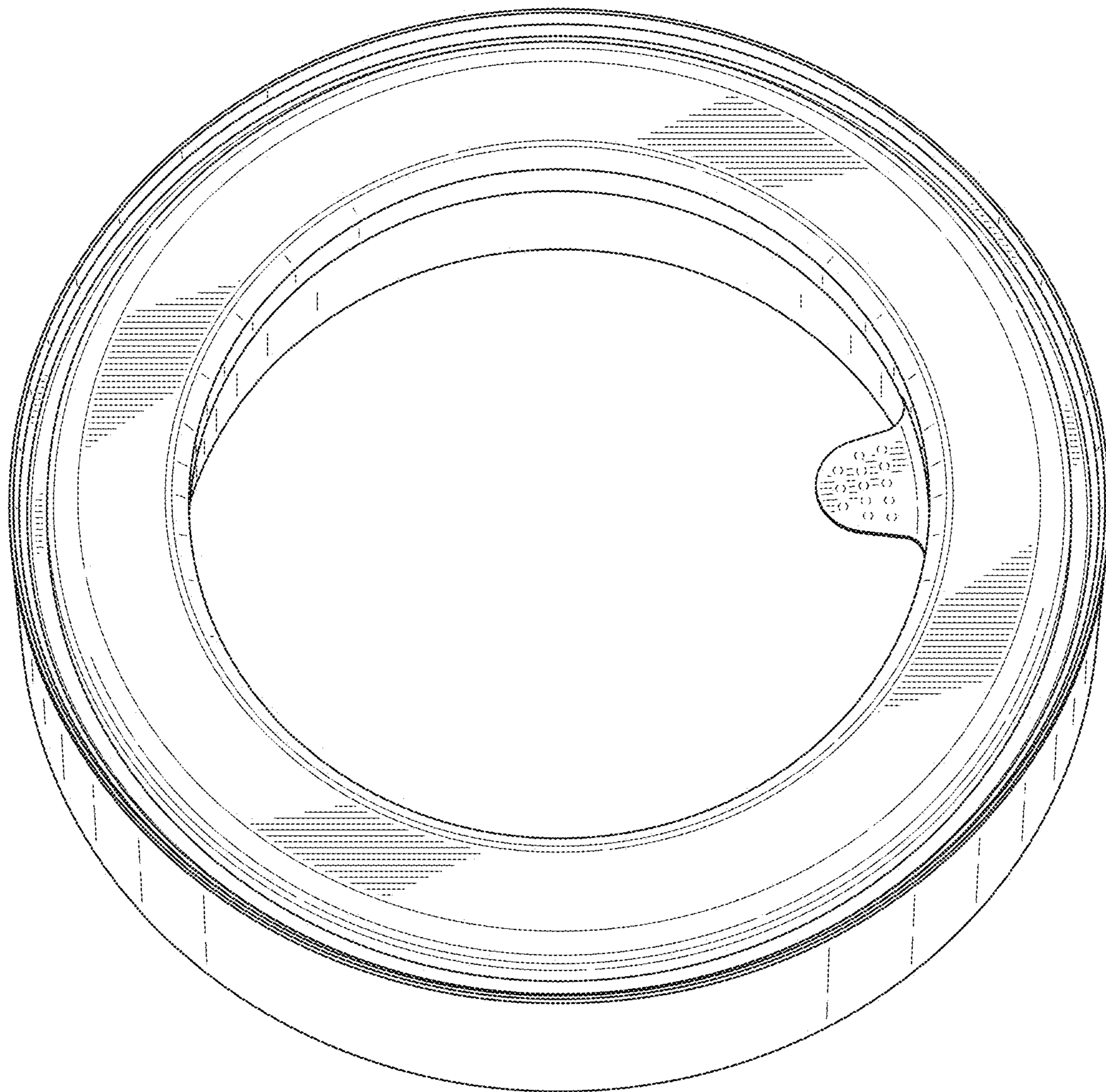


FIG. 1

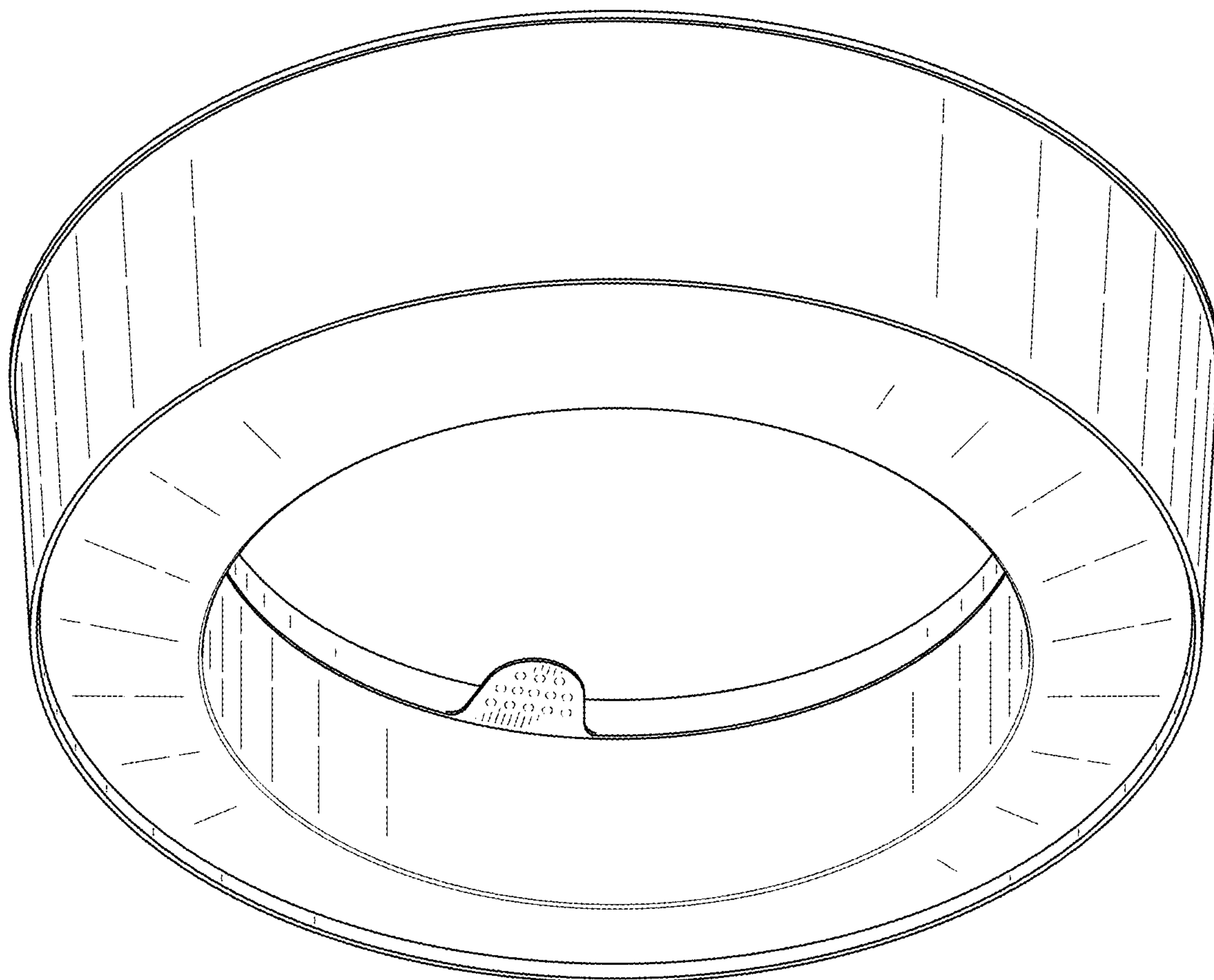


FIG. 2

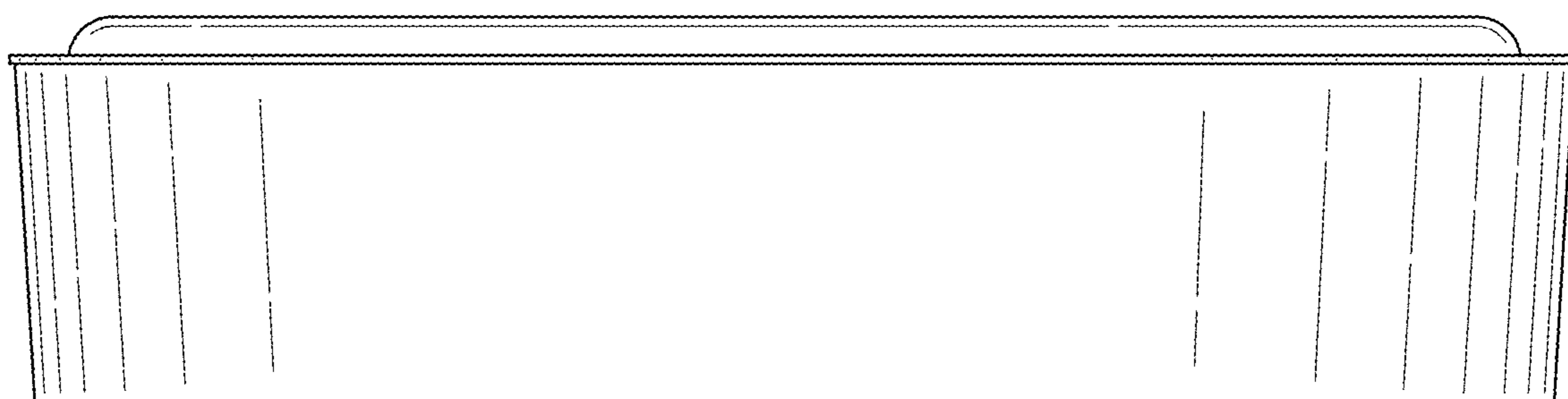


FIG. 3

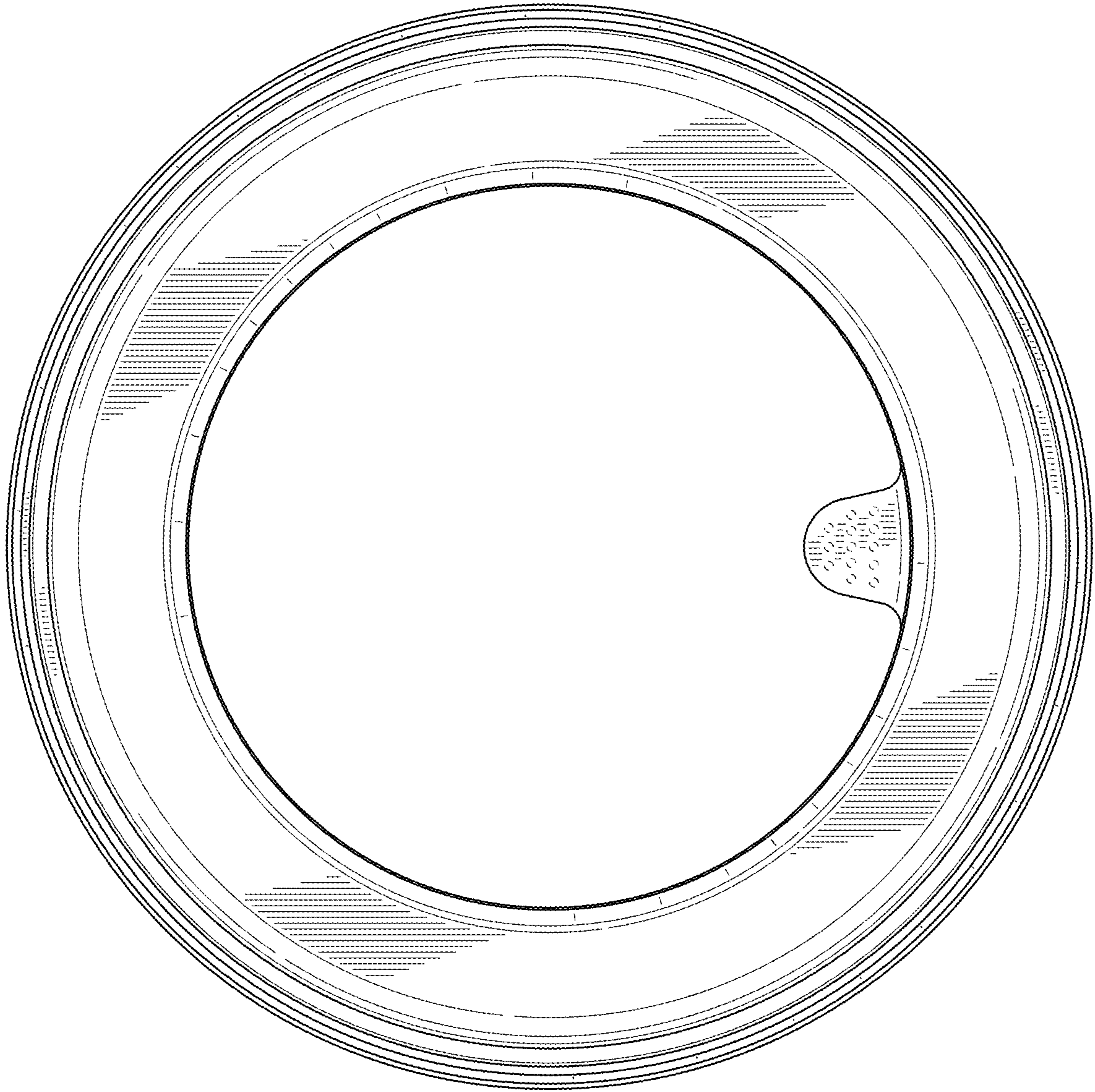


FIG. 4

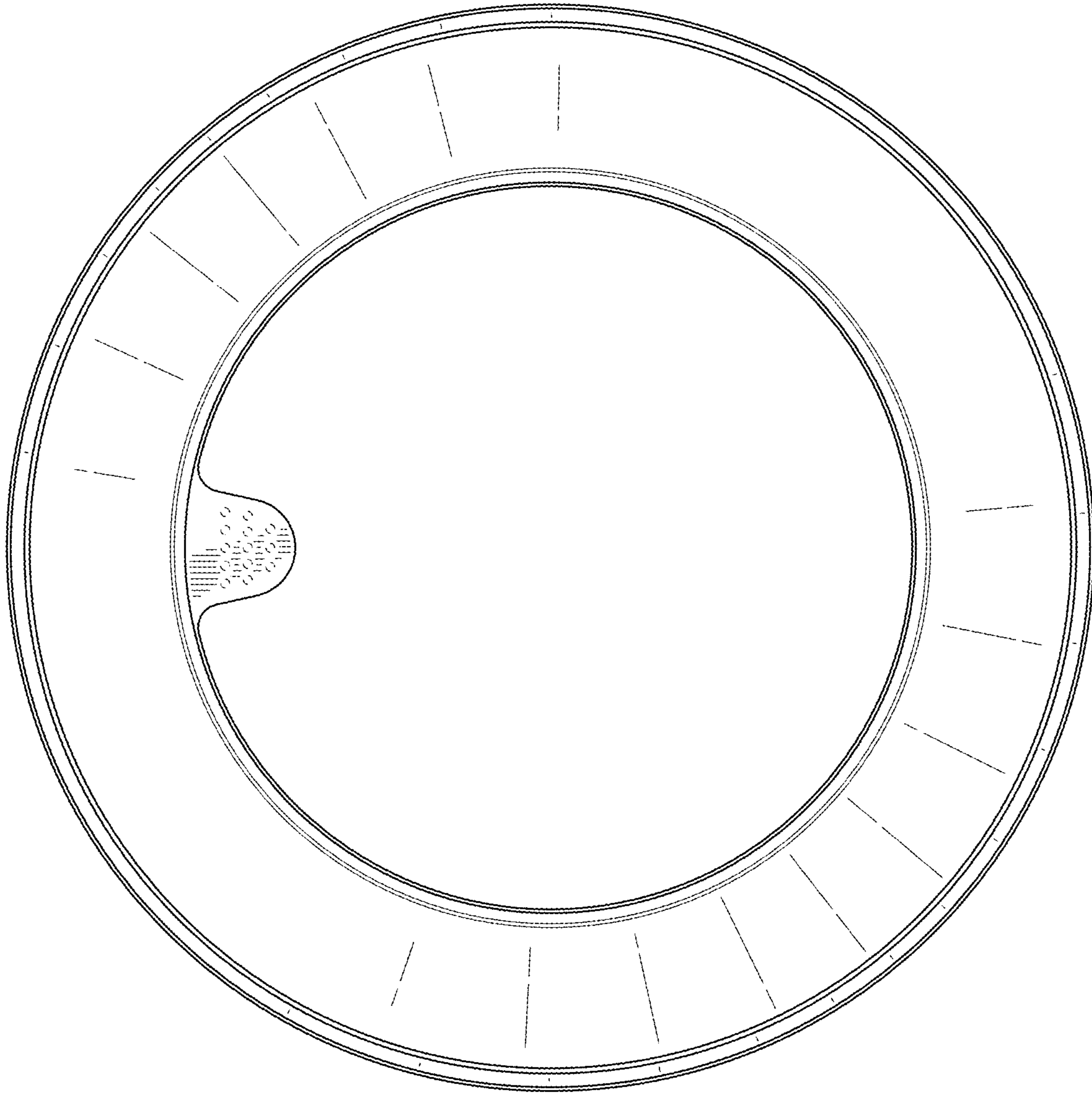


FIG. 5

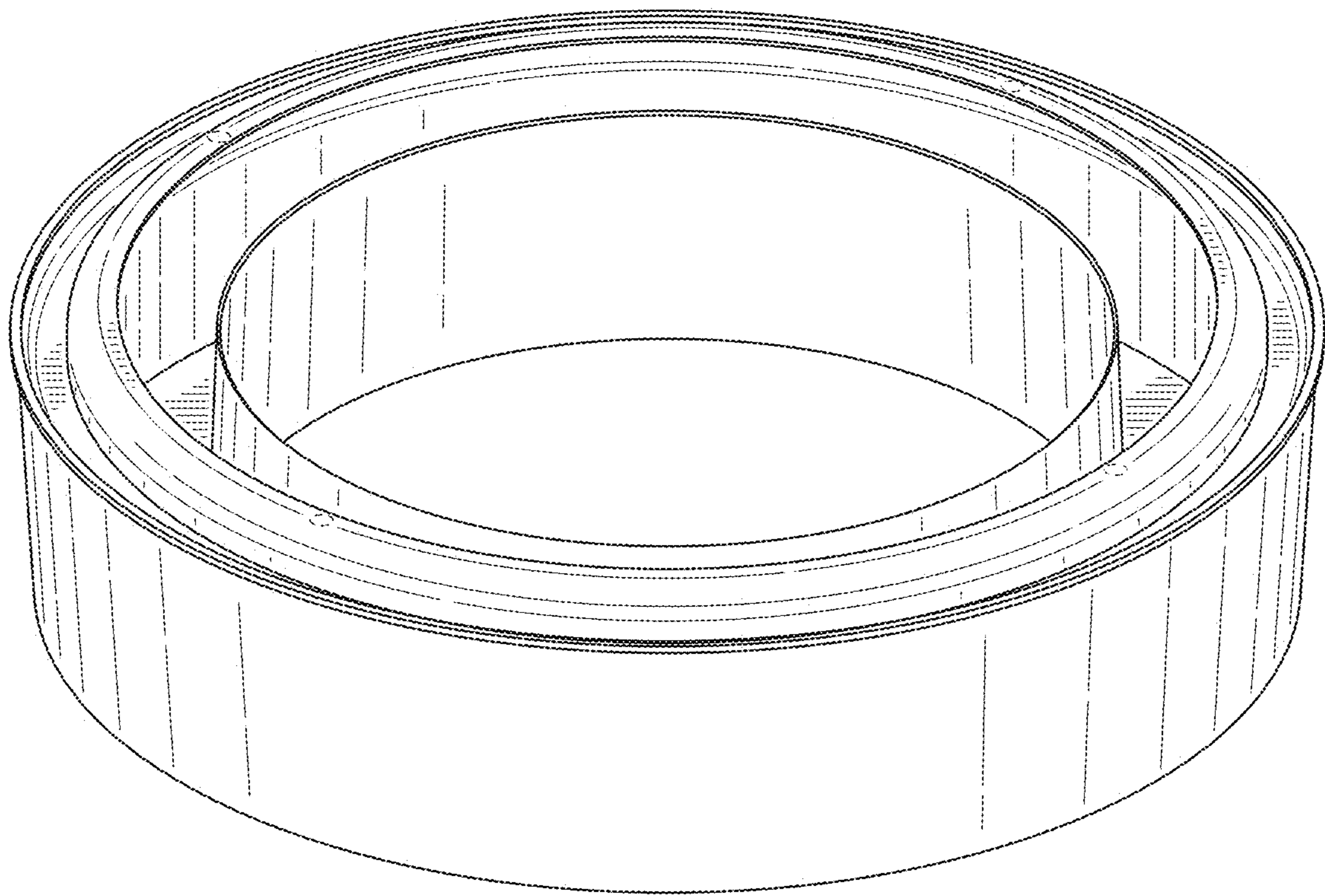


FIG. 6

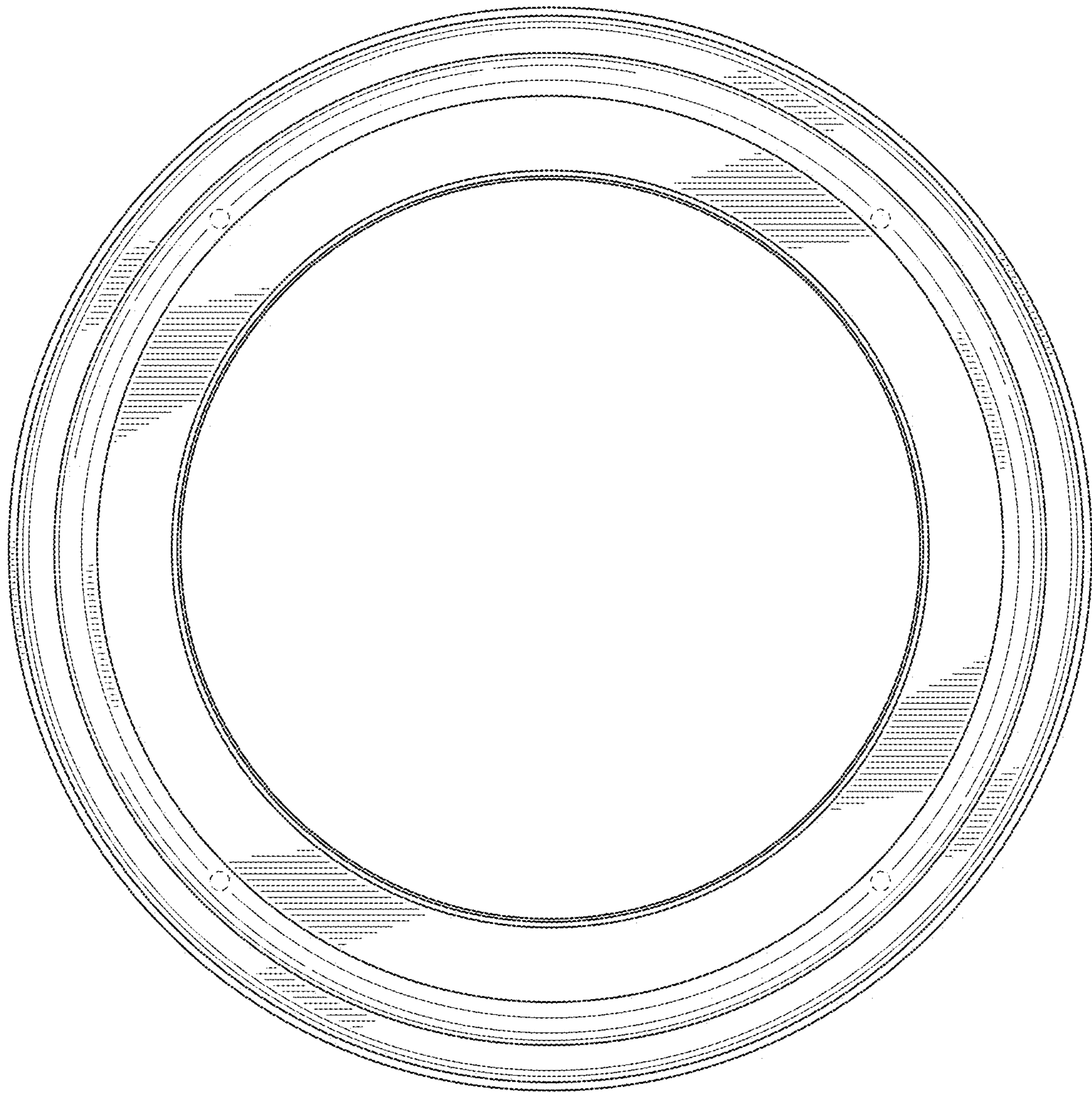


FIG. 7

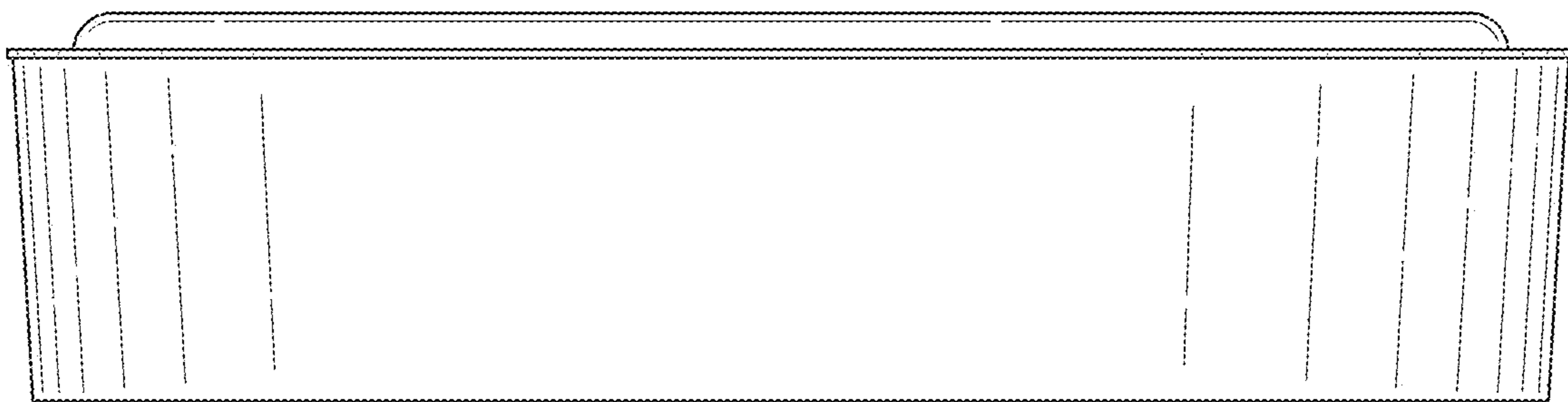


FIG. 8