



US00D971628S

(12) **United States Design Patent**  
**Liang**

(10) **Patent No.:** **US D971,628 S**

(45) **Date of Patent:** **\*\* Dec. 6, 2022**

(54) **RECORD PLAYER STAND**

(71) Applicant: **Shenzhen Lelian Industrial Co., Ltd.,**  
Guangdong (CN)

(72) Inventor: **Can Liang,** Guangdong (CN)

(\*\*) Term: **15 Years**

(21) Appl. No.: **29/822,427**

(22) Filed: **Jan. 10, 2022**

(30) **Foreign Application Priority Data**

Dec. 28, 2021 (CN) ..... 202130864840.3

(51) **LOC (13) Cl.** ..... **06-06**

(52) **U.S. Cl.**  
USPC ..... **D6/407**

(58) **Field of Classification Search**  
USPC ..... D6/407, 672, 673, 675, 675.1, 682,  
D6/682.1, 627-628, 691  
CPC ..... A47B 81/00; A47B 81/06; A47B 81/062;  
A47B 81/067; A47F 5/0018; A47F  
5/0025; A47F 5/101; A47F 7/0057  
See application file for complete search history.

(56) **References Cited**

**U.S. PATENT DOCUMENTS**

1,335,967 A \* 4/1920 Howard ..... A47B 81/067  
211/33  
3,245,736 A \* 4/1966 Douthit ..... A47B 63/00  
211/40

3,603,460 A \* 9/1971 Notes ..... A47B 81/067  
312/9.14  
3,744,644 A \* 7/1973 Brosig ..... A47B 81/067  
312/9.9  
D244,983 S \* 7/1977 Iida ..... D6/675.1  
D262,249 S 12/1981 Smith, III  
4,826,020 A \* 5/1989 Davis ..... G07C 9/33  
D715,077 S \* 10/2014 Everson ..... D6/675.1  
10,413,093 B2 \* 9/2019 Alletto ..... A47F 7/00

\* cited by examiner

*Primary Examiner* — Kelley A Donnelly

(74) *Attorney, Agent, or Firm* — Che-Yang Chen; Law  
Office of Michael Chen

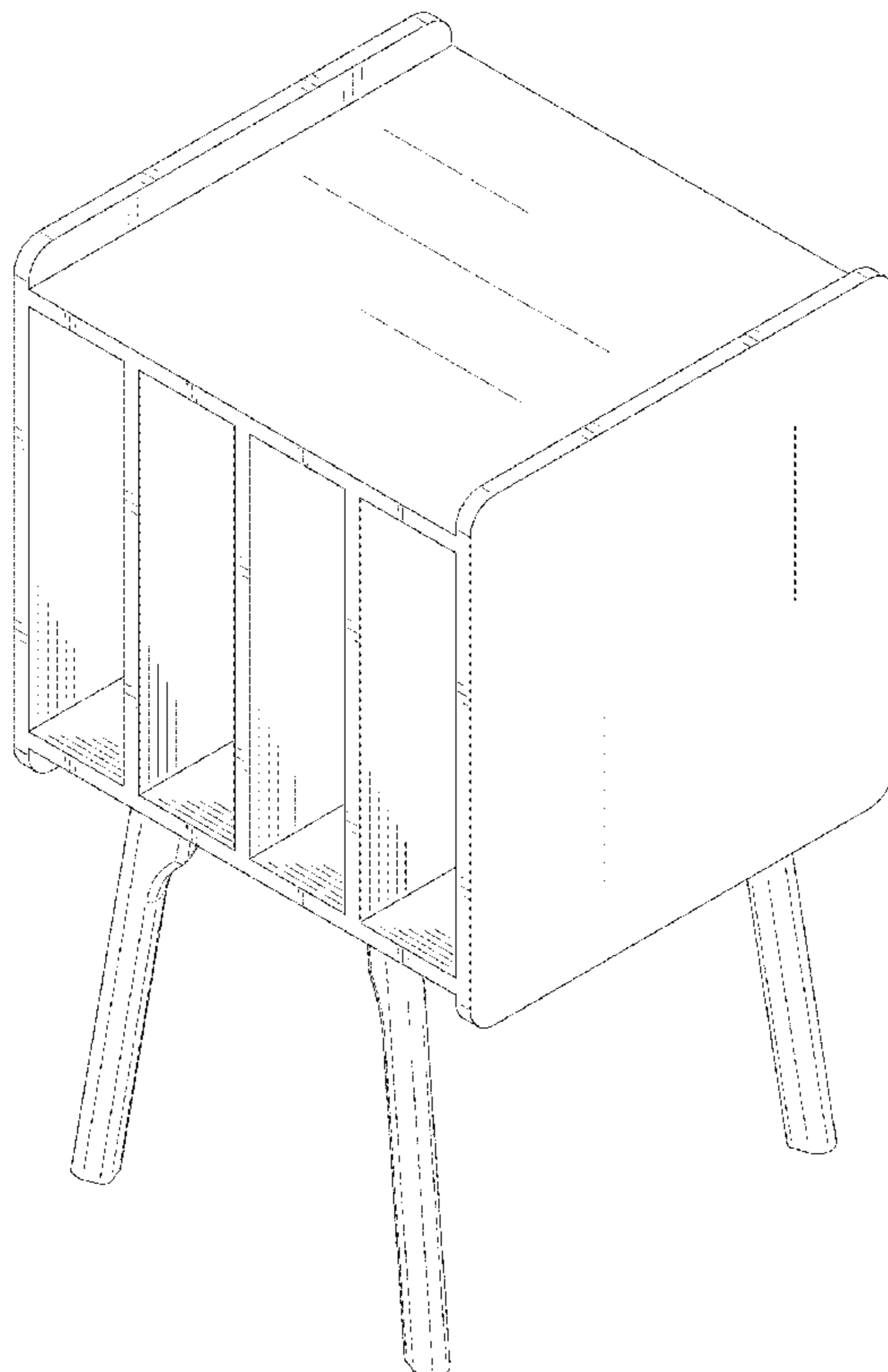
(57) **CLAIM**

The ornamental design for a record player stand, as shown  
and described.

**DESCRIPTION**

FIG. 1 is a perspective view of the record player stand  
showing my new design;  
FIG. 2 is a perspective view thereof from another angle;  
FIG. 3 is a front elevational view thereof;  
FIG. 4 is a rear elevational view thereof;  
FIG. 5 is a left side elevational view thereof;  
FIG. 6 is a right side elevational view thereof;  
FIG. 7 is a top plan view thereof; and,  
FIG. 8 is a bottom plan view thereof.

**1 Claim, 8 Drawing Sheets**



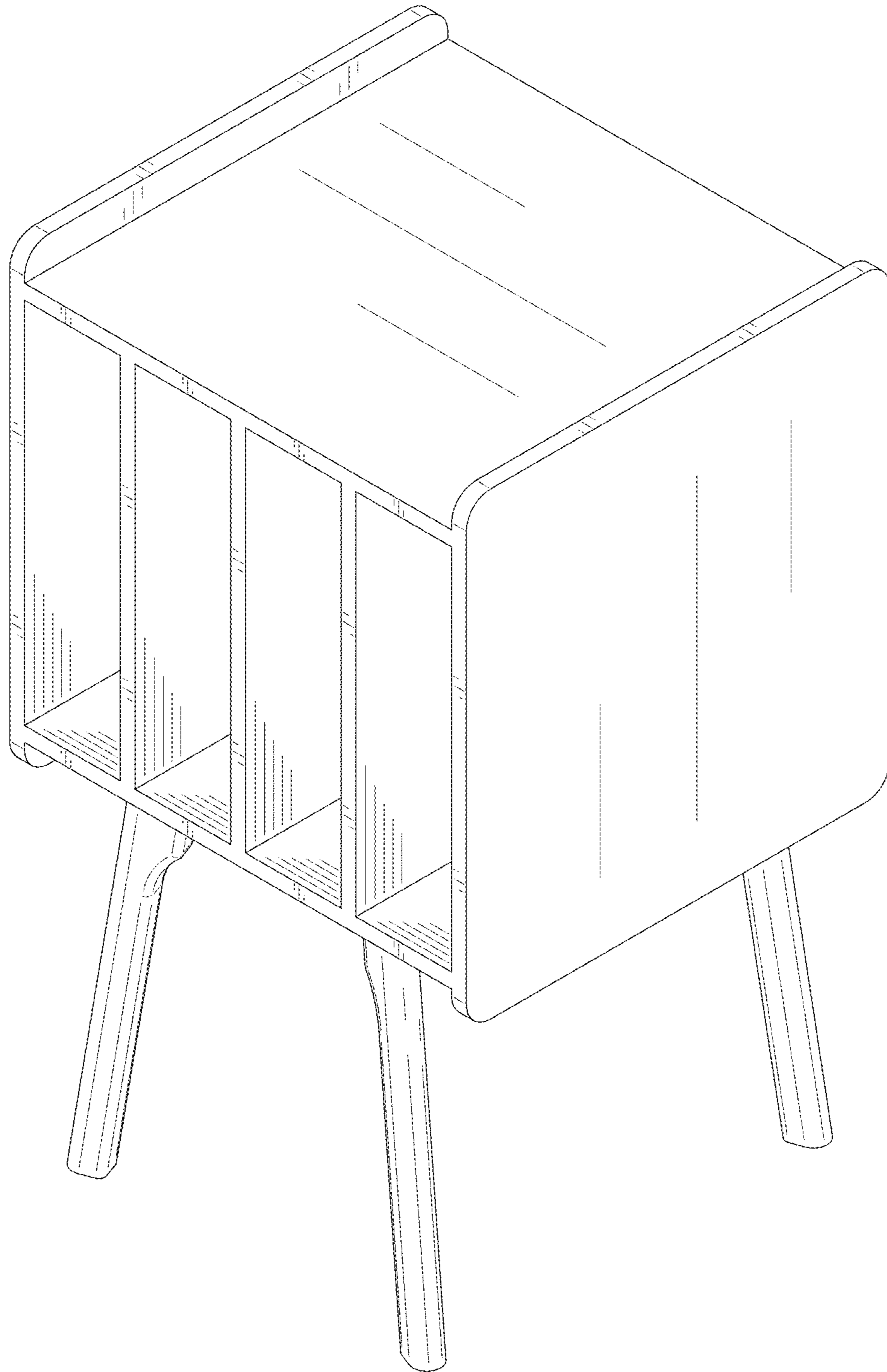


FIG. 1

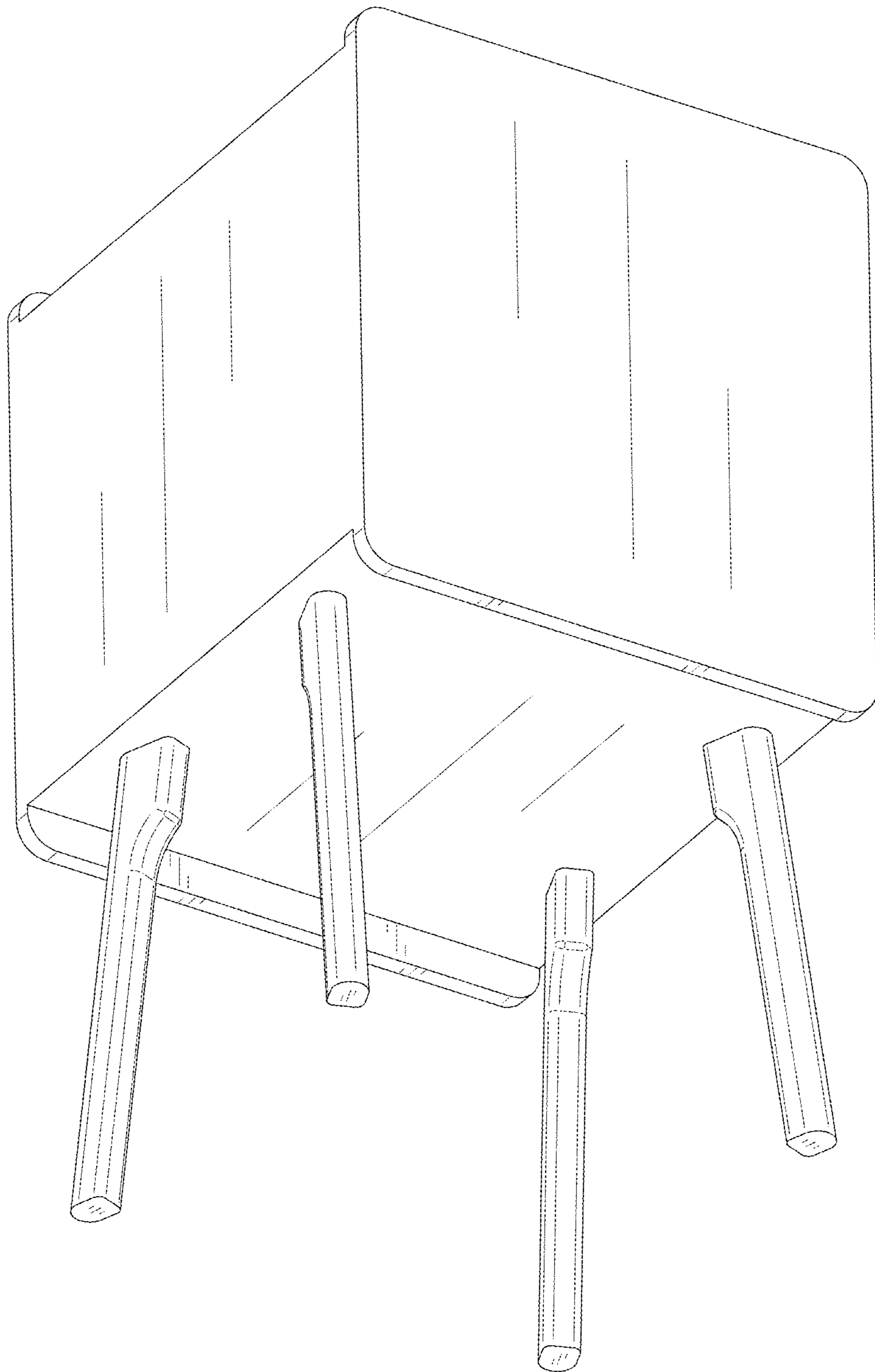


FIG. 2

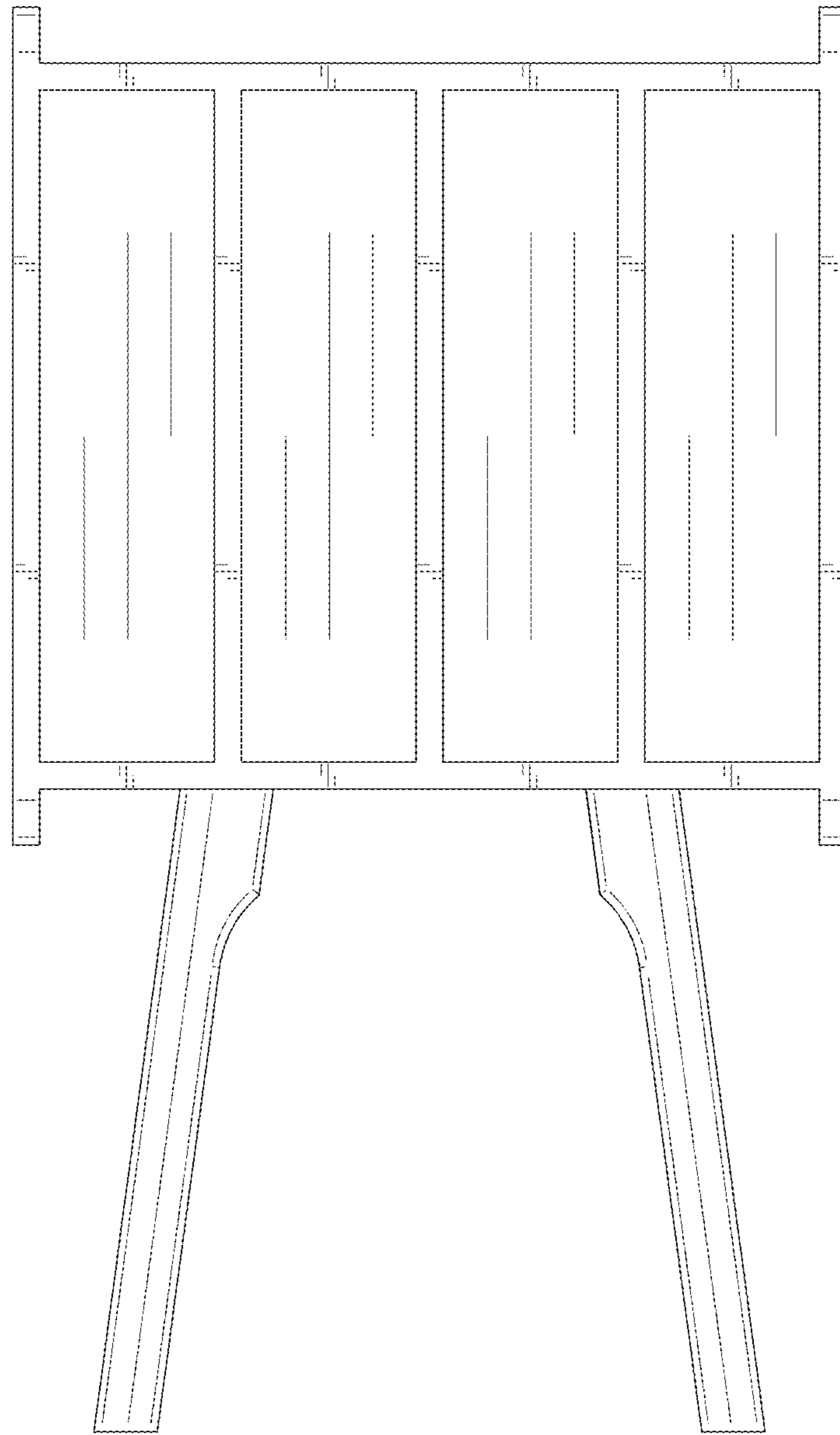


FIG. 3

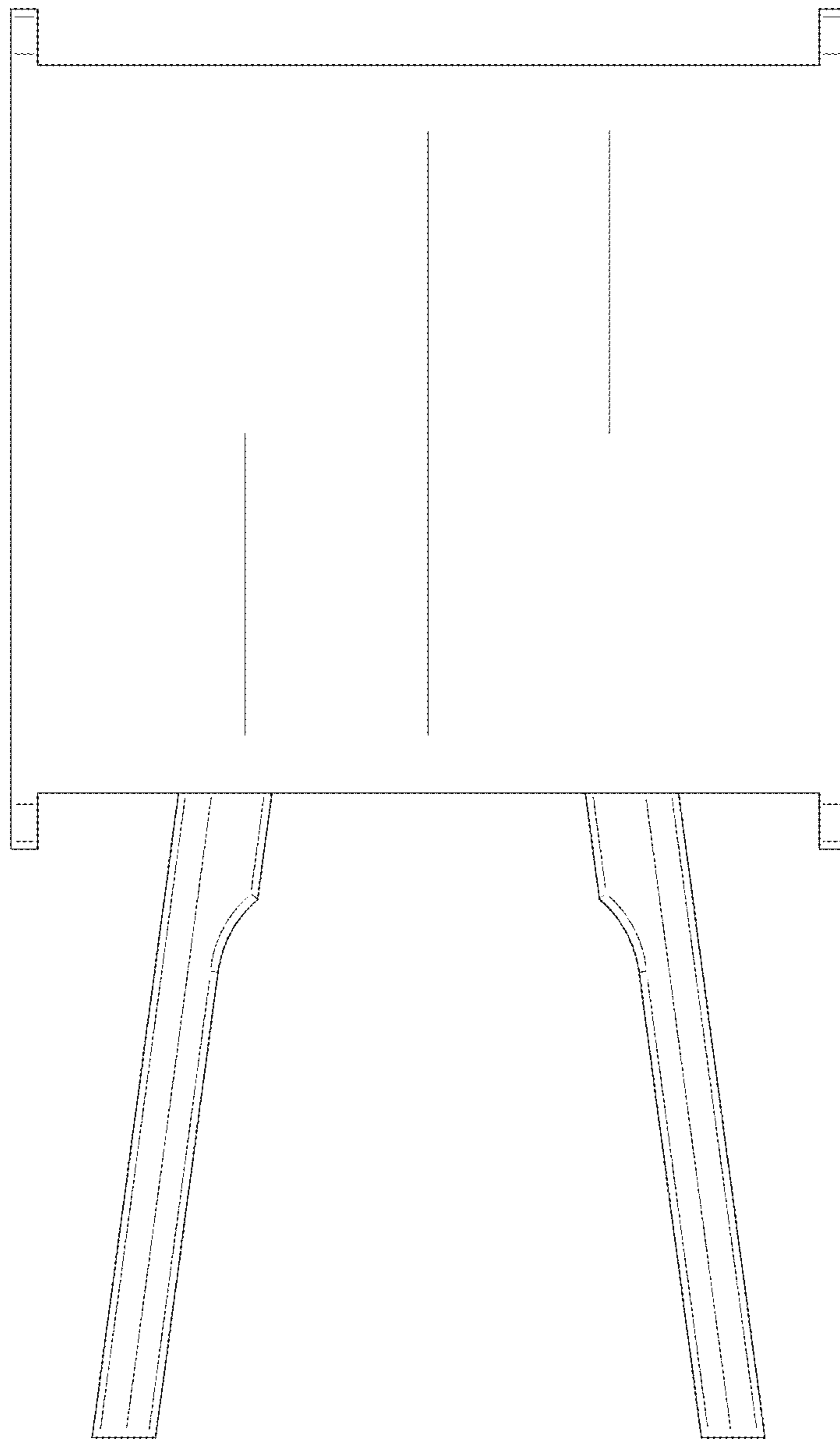


FIG. 4

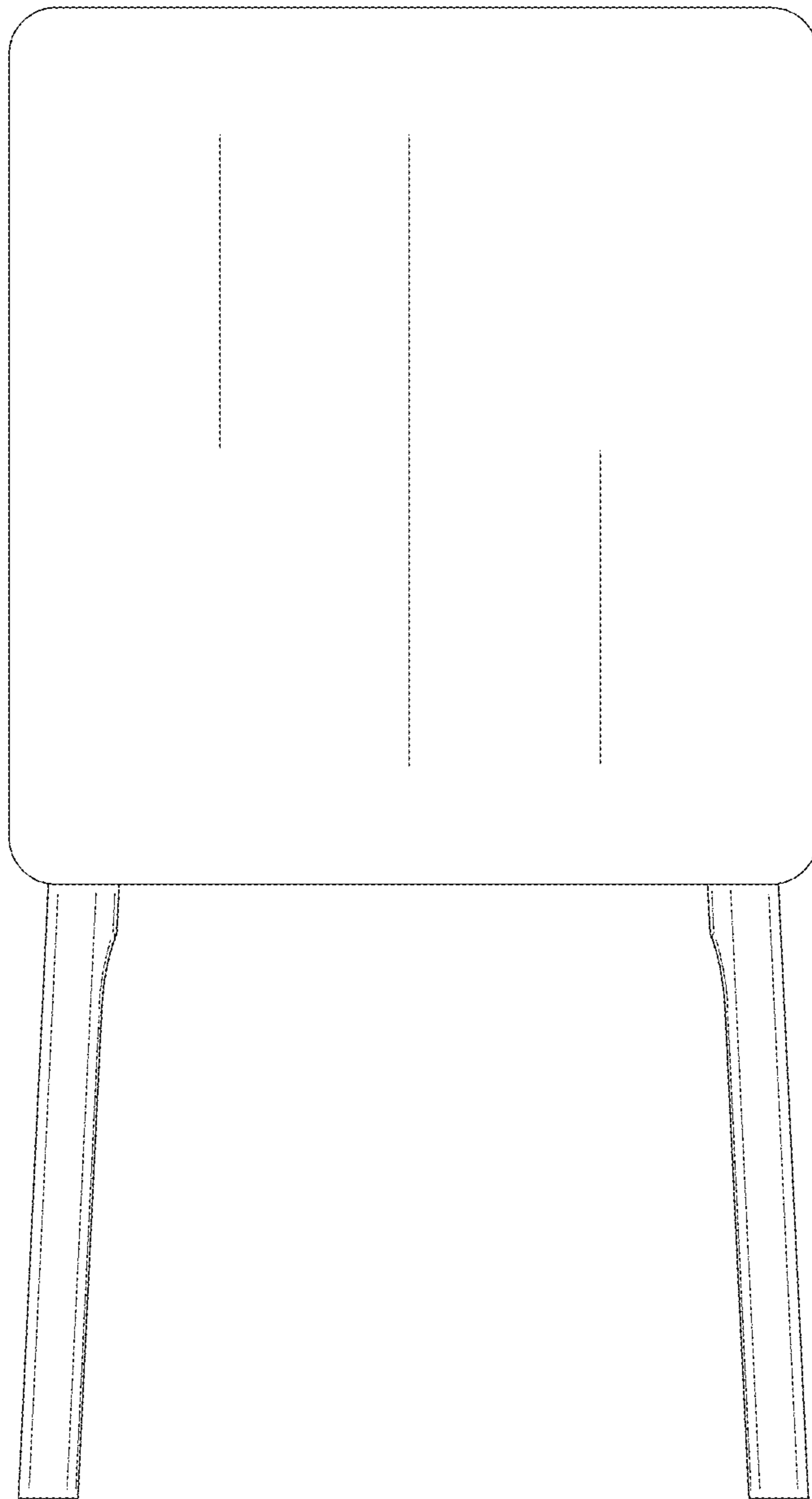


FIG. 5

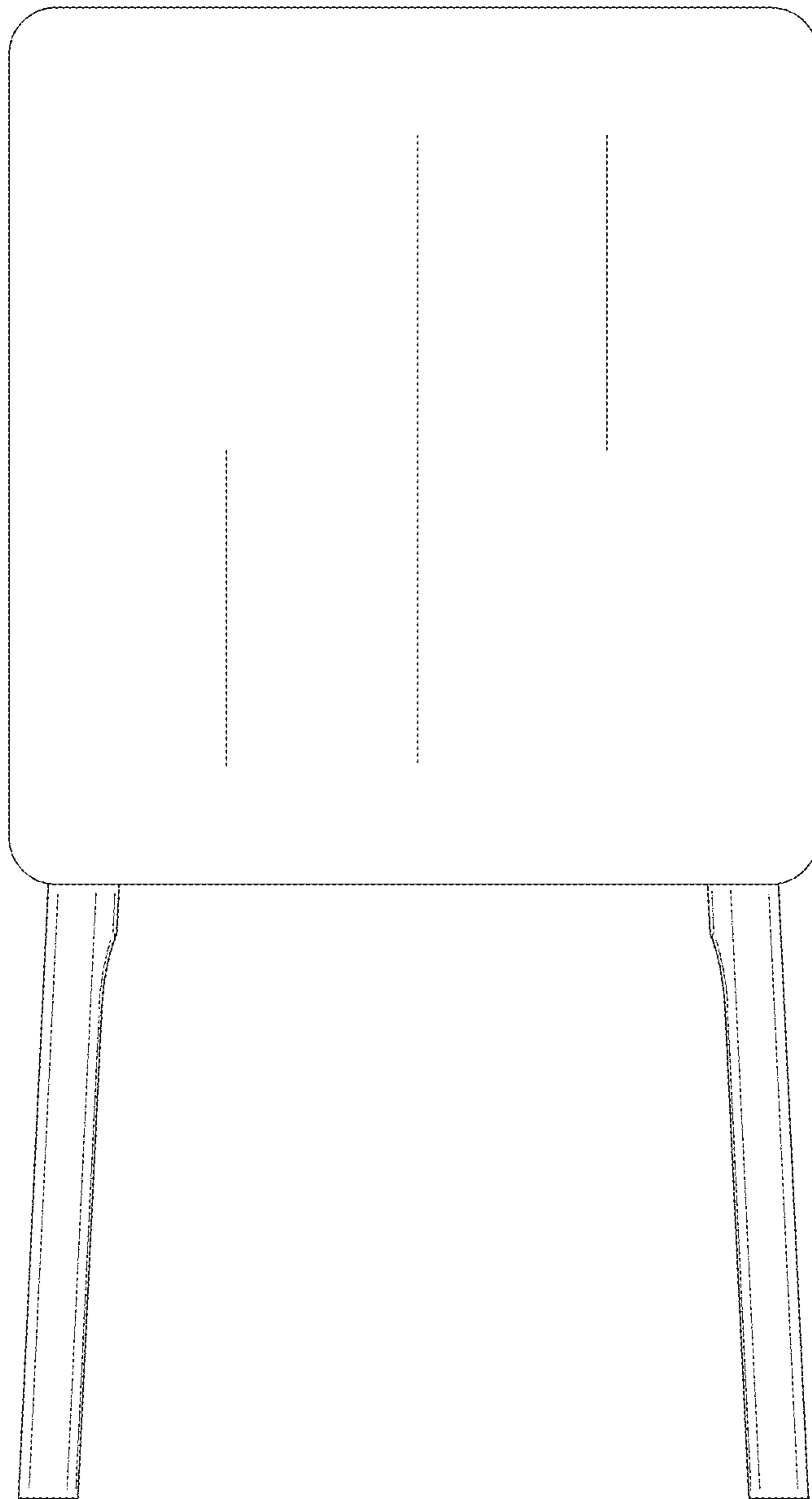


FIG. 6

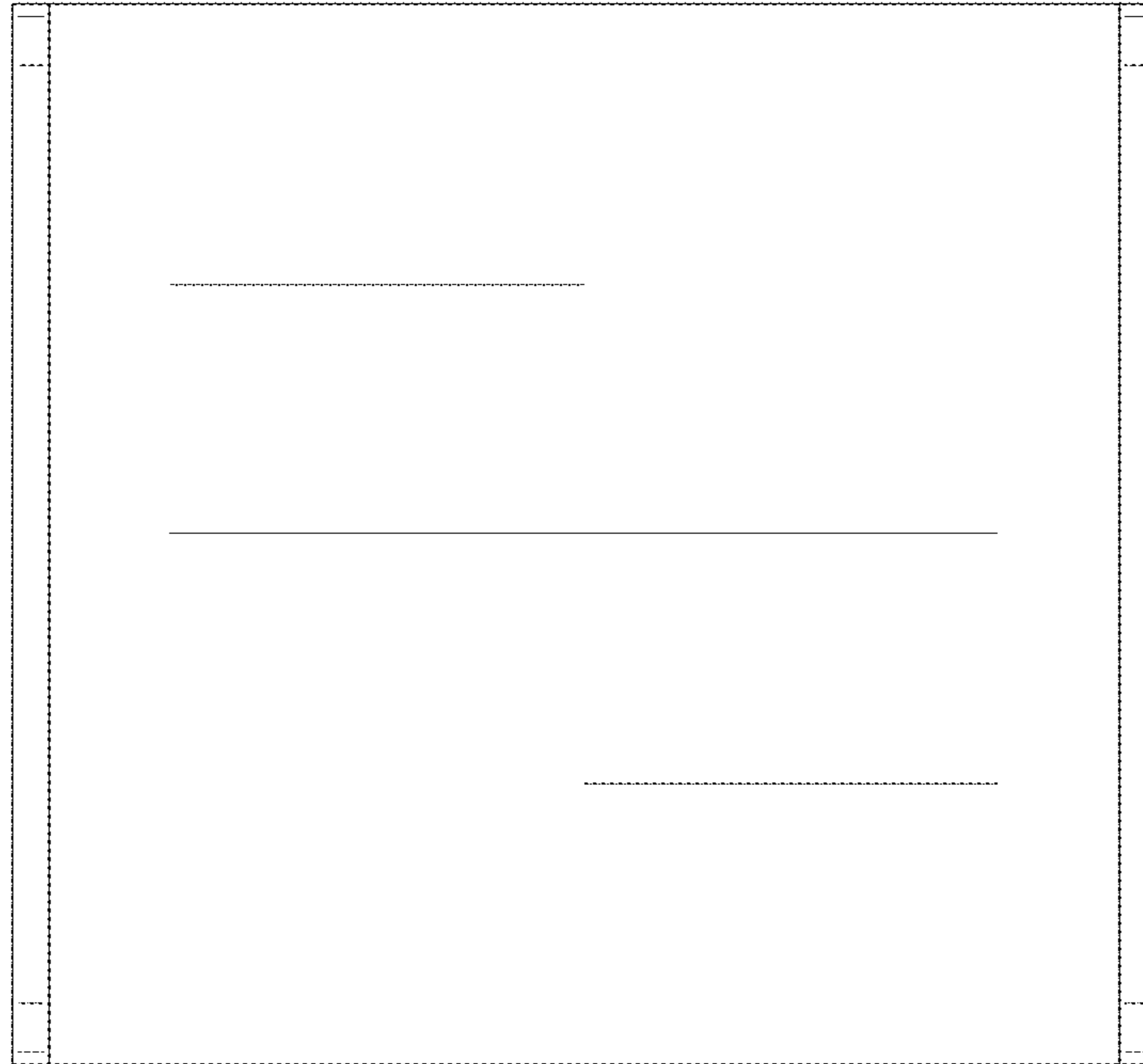


FIG. 7



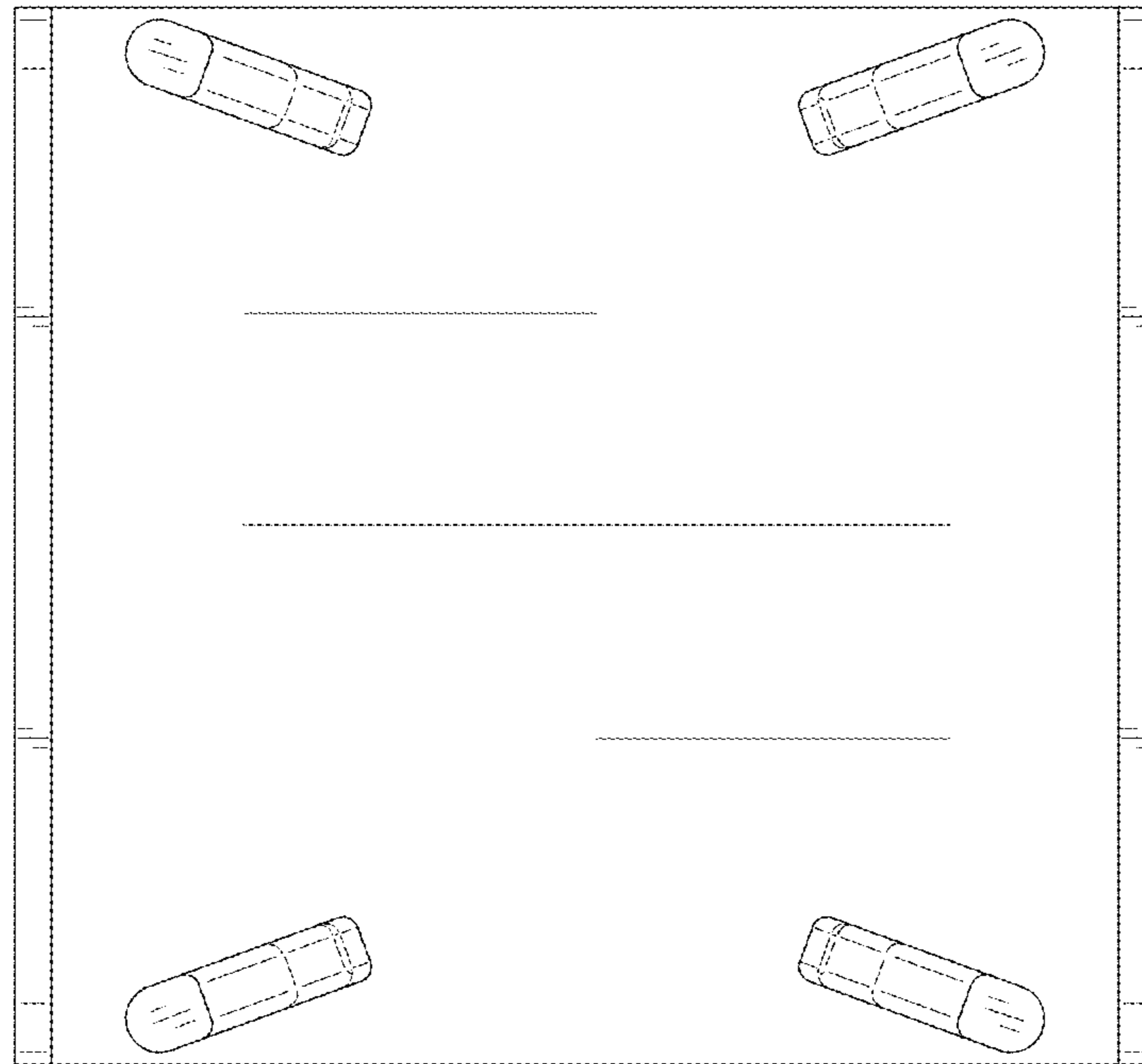


FIG. 8