

US00D971626S

(12) **United States Design Patent**  
**Liu**

(10) **Patent No.:** **US D971,626 S**  
(45) **Date of Patent:** **\*\* Dec. 6, 2022**

- (54) **LOVESEAT**
- (71) Applicant: **Tingting Liu**, Shenzhen (CN)
- (72) Inventor: **Tingting Liu**, Shenzhen (CN)
- (\*\*) Term: **15 Years**
- (21) Appl. No.: **29/791,482**
- (22) Filed: **Jan. 12, 2022**
- (51) **LOC (13) Cl.** ..... **06-01**
- (52) **U.S. Cl.**  
USPC ..... **D6/370**
- (58) **Field of Classification Search**  
USPC ..... D6/369, 370, 371, 372, 373, 374, 375,  
D6/378, 379  
CPC .. A47C 1/02; A47C 4/028; A47C 4/02; A47C  
7/02; A47C 7/20; A47C 7/14; A47C 7/44  
See application file for complete search history.

- D648,557 S \* 11/2011 Frnier ..... D6/369
- D679,109 S \* 4/2013 Asner
- D743,182 S \* 11/2015 Rafieha
- D810,457 S \* 2/2018 Natuzzi ..... D6/379
- D856,700 S \* 8/2019 Lopez
- D867,007 S \* 11/2019 Lievore ..... D6/373
- D867,008 S \* 11/2019 Lievore ..... D6/381
- D893,210 S \* 8/2020 Rashid
- D937,598 S \* 12/2021 Qin ..... D6/371

**OTHER PUBLICATIONS**

“AWQM Mid-Century Modern Solid Loveseat . . .” Jun. 20, 2021, amazon.com, site visited Aug. 11, 2022 <[https://www.amazon.com/AWQM-Mid-Century-Loveseat-Upholstered-Easy-Assembly/dp/B09STH1559/ref=cm\\_cr\\_arp\\_d\\_product\\_top?ie=UTF8](https://www.amazon.com/AWQM-Mid-Century-Loveseat-Upholstered-Easy-Assembly/dp/B09STH1559/ref=cm_cr_arp_d_product_top?ie=UTF8)> (Year: 2021).\*

\* cited by examiner

*Primary Examiner* — Kevin K Rudzinski  
*Assistant Examiner* — Paul D Bohannon  
(74) *Attorney, Agent, or Firm* — Jeenam Park

(56) **References Cited**  
U.S. PATENT DOCUMENTS

- D180,689 S \* 7/1957 Jiranek ..... D6/377
- D188,046 S \* 5/1960 Galloway ..... D6/379
- 3,019,051 A \* 1/1962 Nugent ..... A47C 31/11  
297/297
- D193,980 S \* 11/1962 Ritts ..... D6/369
- 3,222,108 A \* 12/1965 Pablos ..... A47C 7/282  
297/229
- D217,345 S \* 4/1970 Pitt ..... D6/363
- 3,591,233 A \* 7/1971 Turcksin ..... A47C 7/14  
297/282
- D222,450 S \* 10/1971 Brook ..... D6/373
- 3,896,531 A \* 7/1975 Gorman ..... A47C 4/028  
297/440.22
- D250,922 S \* 1/1979 Adkinson ..... D6/379
- D432,806 S \* 10/2000 Gomez ..... D6/379
- D562,020 S \* 2/2008 Massaud ..... D6/373
- D606,329 S \* 12/2009 Van Duysen ..... D6/375
- D612,628 S \* 3/2010 Mourgue ..... D6/379

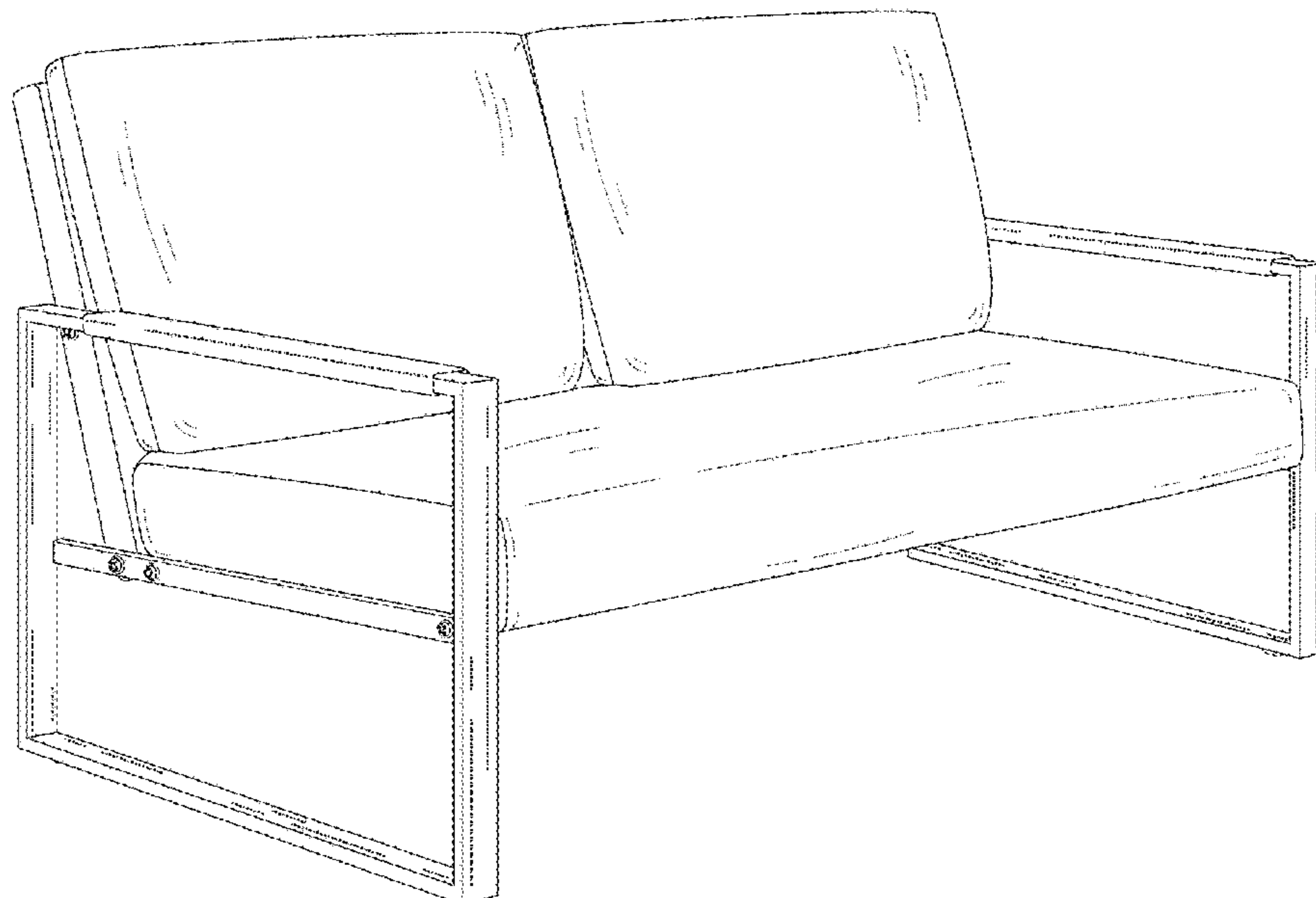
(57) **CLAIM**

The ornamental design for a loveseat, as shown and described.

**DESCRIPTION**

FIG. 1 is a perspective view of a loveseat, showing my new design;  
FIG. 2 is a front view thereof;  
FIG. 3 is a rear view thereof;  
FIG. 4 is a left side view thereof;  
FIG. 5 is a right side view thereof;  
FIG. 6 is a top plan view thereof; and,  
FIG. 7 is a bottom plan view thereof.  
The broken lines shown in the drawings illustrate portions of the article that form no part of the claimed design.

**1 Claim, 7 Drawing Sheets**



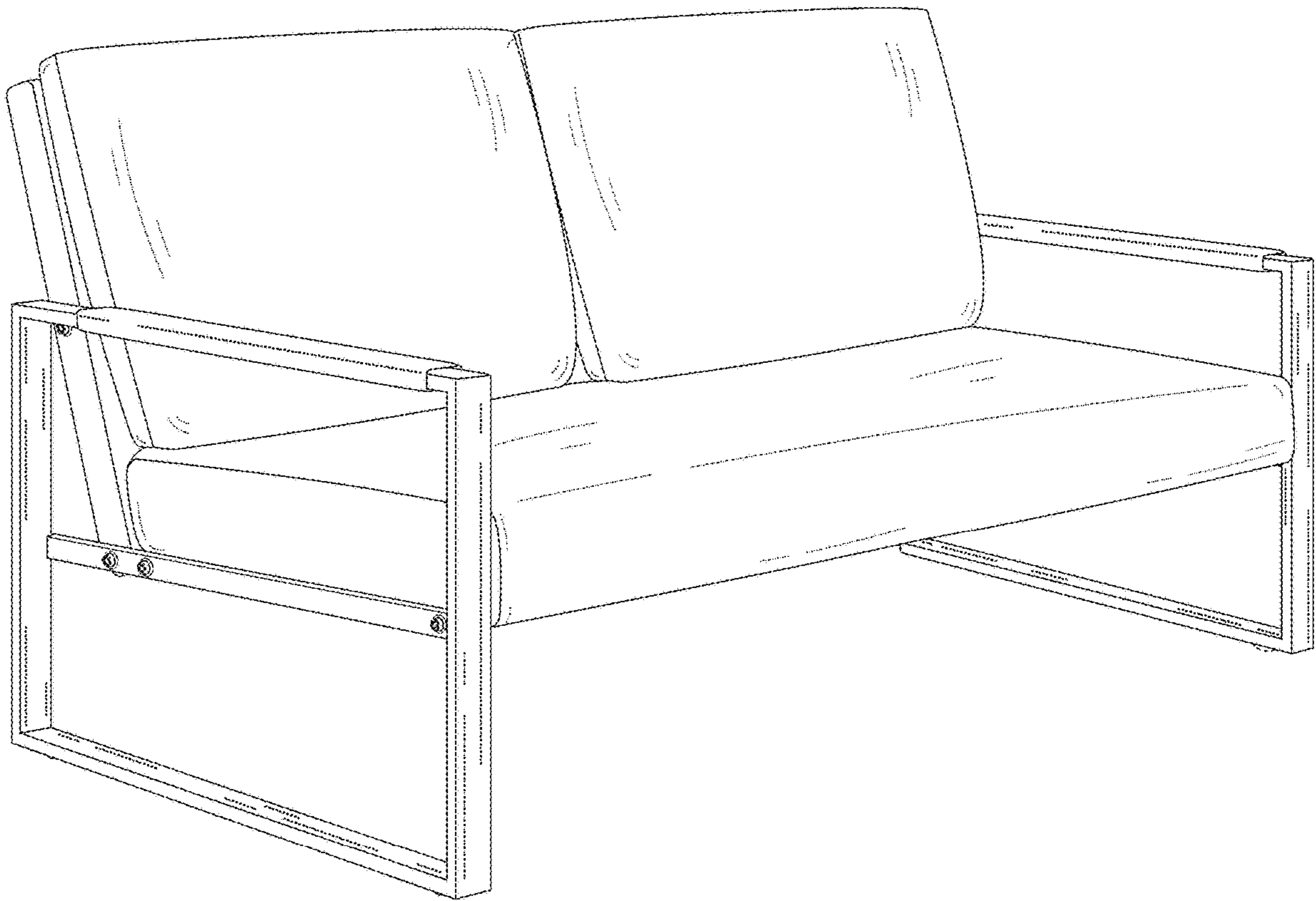


FIG. 1

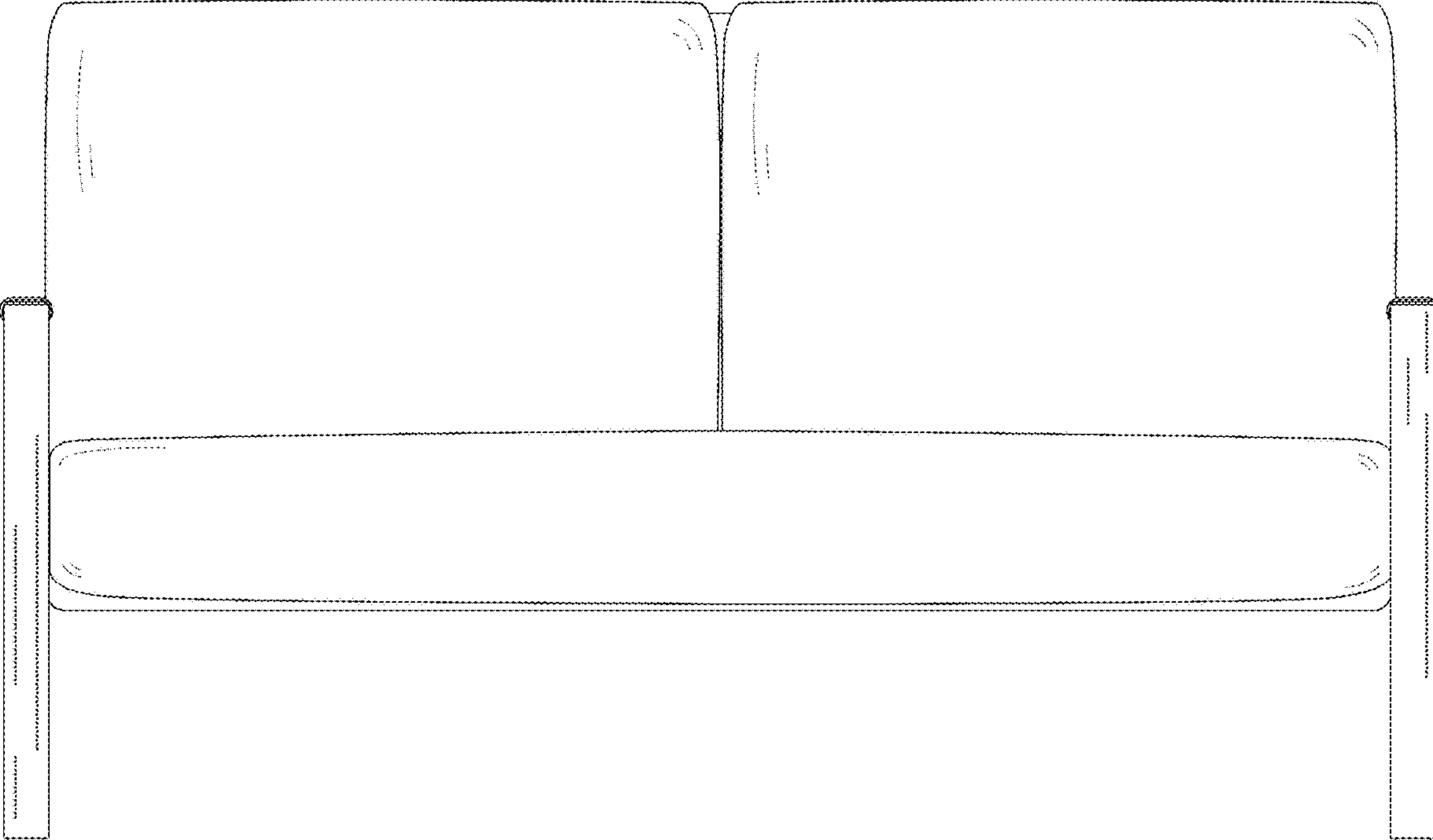


FIG. 2



FIG. 3

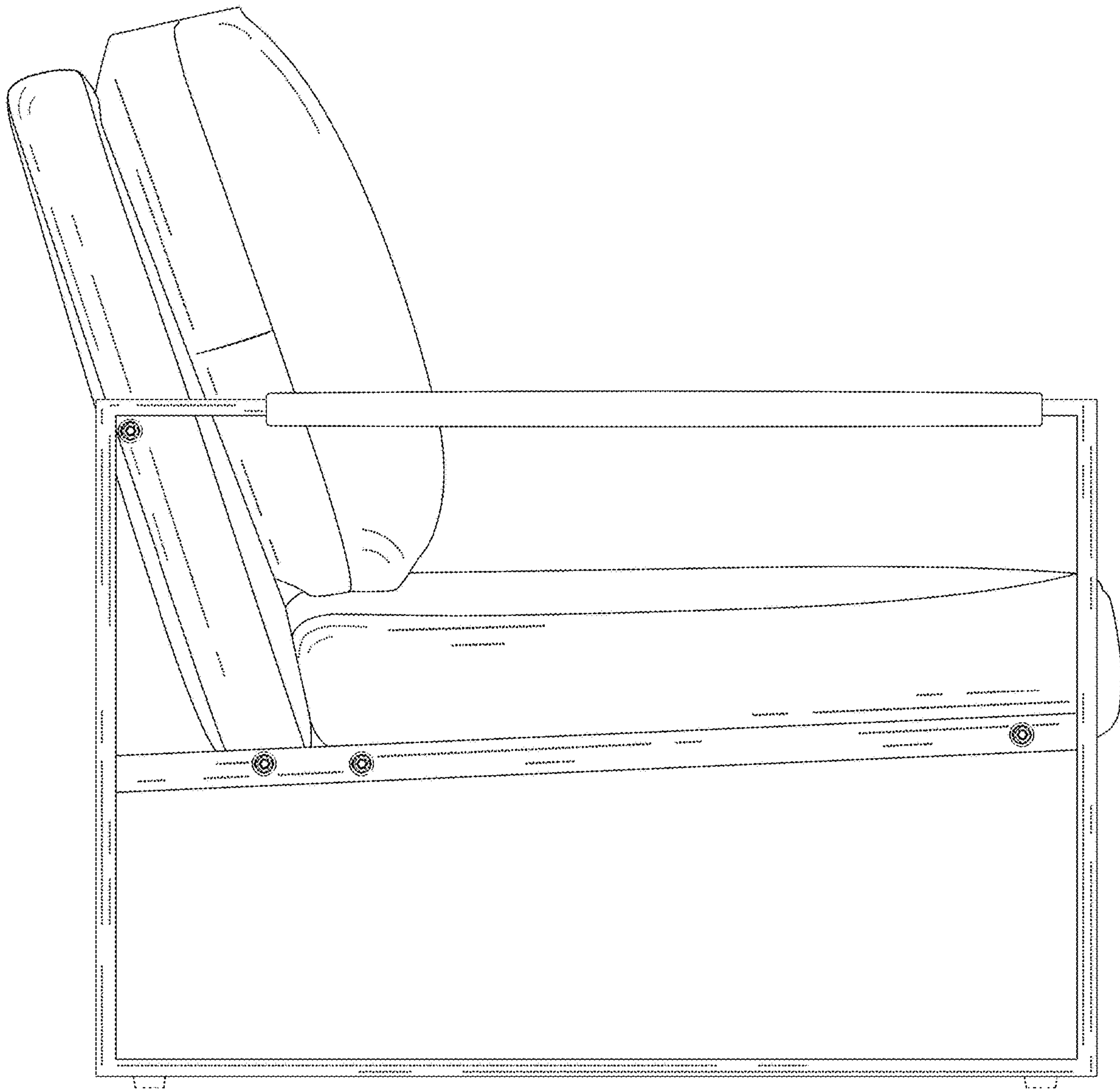


FIG. 4



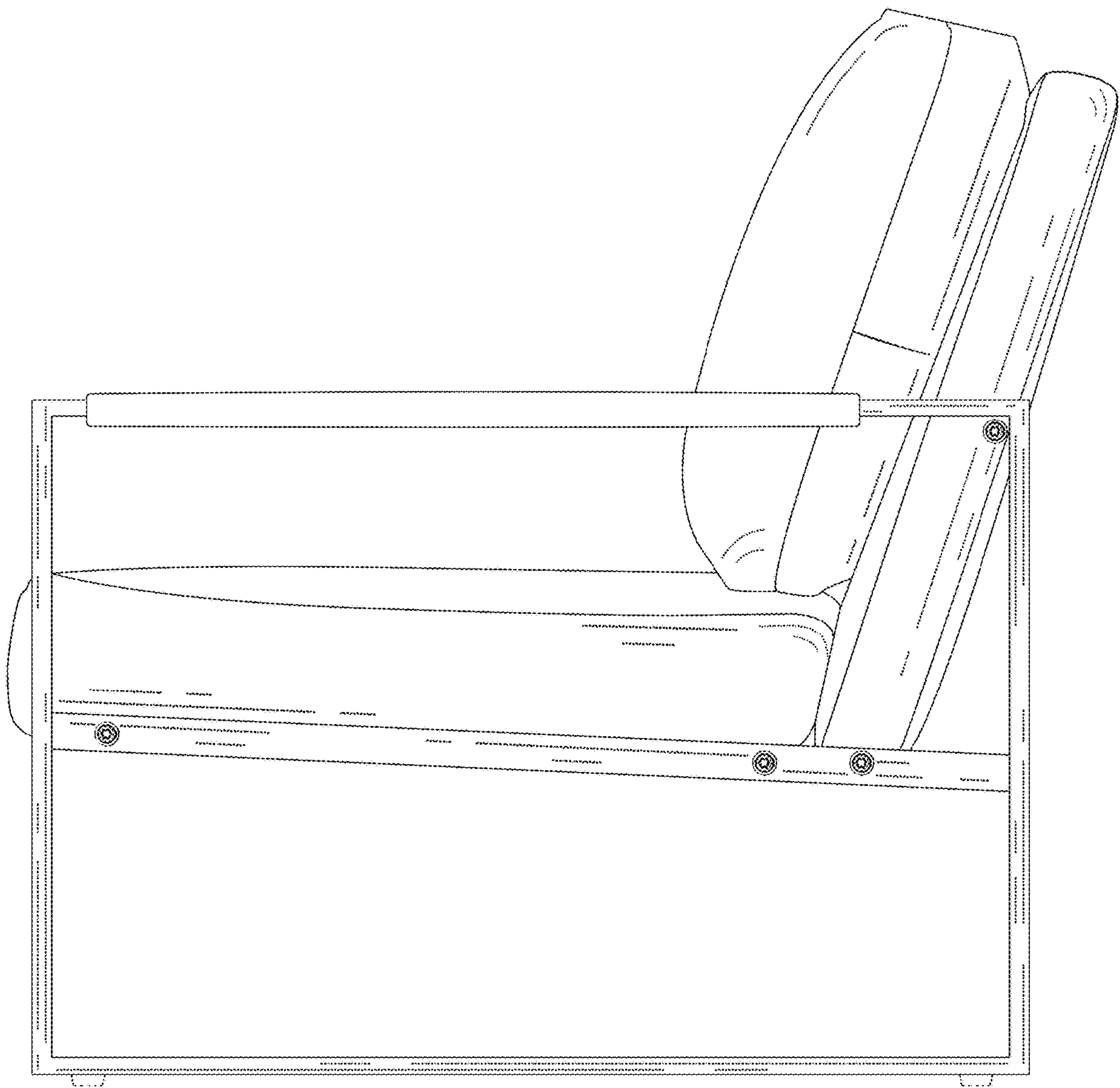


FIG. 5

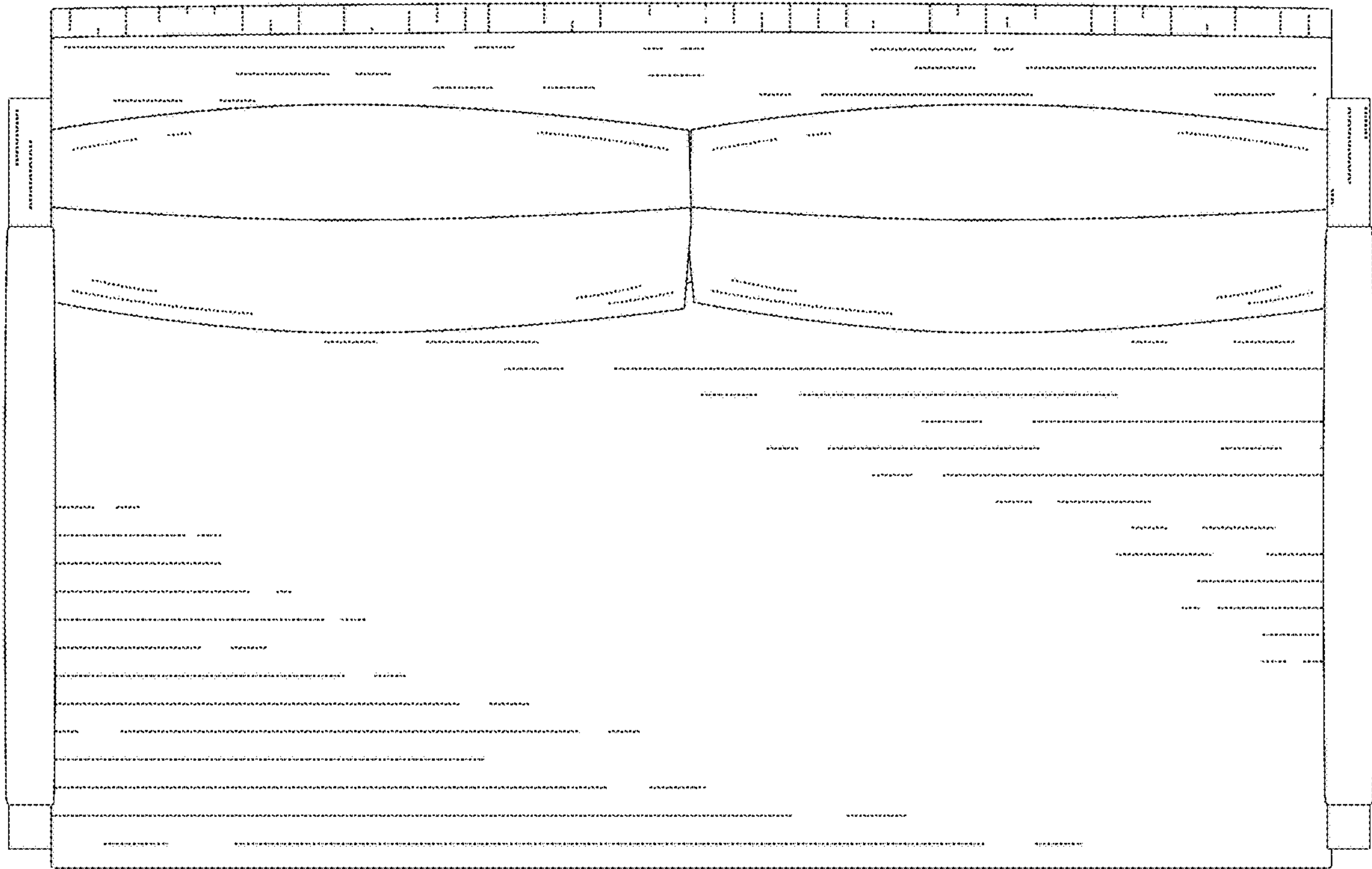


FIG. 6

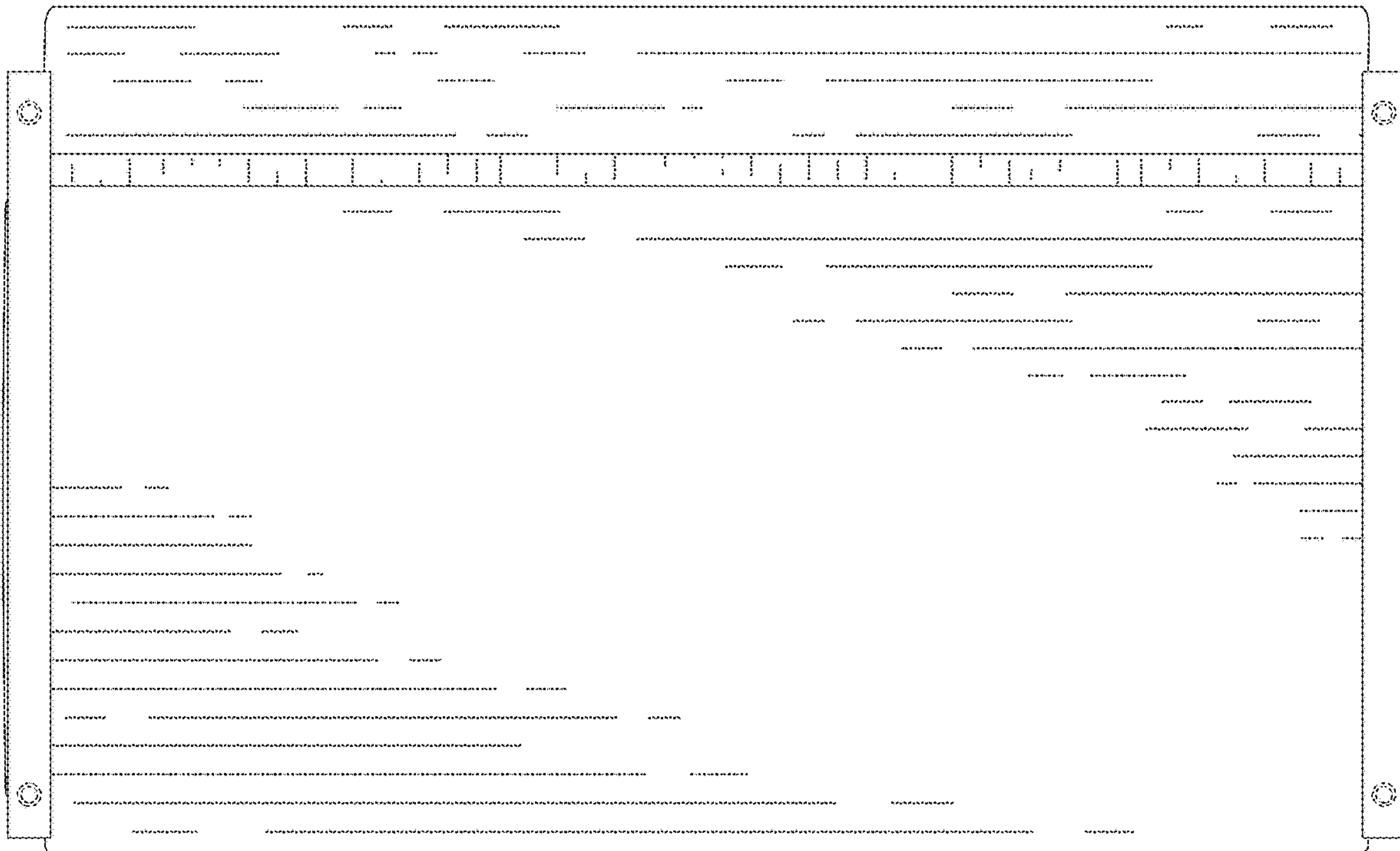


FIG. 7