



US00D971624S

(12) **United States Design Patent**
Liu

(10) **Patent No.:** **US D971,624 S**
(45) **Date of Patent:** **** Dec. 6, 2022**

(54) **OFFICE CHAIR**

(71) Applicant: **BOLTON TECH (USA) INC.**,
Pomona, CA (US)

(72) Inventor: **Huazhu Liu**, Shandong Province (CN)

(**) Term: **15 Years**

(21) Appl. No.: **29/794,908**

(22) Filed: **Jun. 15, 2021**

(51) **LOC (13) Cl.** **06-01**

(52) **U.S. Cl.**
USPC **D6/366**

(58) **Field of Classification Search**

USPC D6/334-336, 364, 365, 366, 367, 374,
D6/379, 716, 716.1, 716.4, 716.5
CPC A47C 7/004; A47C 7/006; A47C 7/18;
A47C 7/24; A47C 7/282; A47C 7/285;
A47C 7/38; A47C 7/383; A47C 7/46;
A47C 7/462; A47C 7/54; A47C 7/541
See application file for complete search history.

(56) **References Cited**

U.S. PATENT DOCUMENTS

D568,624 S * 5/2008 Wen D6/366
D697,330 S * 1/2014 Chen D6/366
D697,732 S * 1/2014 Wan D6/366

D766,605 S * 9/2016 Li D6/366
D785,390 S * 5/2017 Tong D6/366
D916,477 S 4/2021 Tu
D929,757 S * 9/2021 Feng D6/366
D935,822 S * 11/2021 Wang D6/716
D959,162 S * 8/2022 Tong D6/366

* cited by examiner

Primary Examiner — Mimosa De

(57) **CLAIM**

The ornamental design for an office chair, as shown and described.

DESCRIPTION

FIG. 1 is a front and top perspective view of an office chair, showing my new design;
FIG. 2 is a rear and bottom perspective view thereof;
FIG. 3 is a front elevation view thereof;
FIG. 4 is a rear elevation view thereof;
FIG. 5 is a left side elevation view thereof;
FIG. 6 is a right side elevation view thereof;
FIG. 7 is a top plan view thereof;
FIG. 8 is a bottom plan view thereof; and,
FIG. 9 is an enlarged view of a portion labeled, 'FIG. 9' in FIG. 1.

The broken lines in the figures illustrate portions of the office chair that form no part of the claimed design. The dash dot dash lines in FIGS. 1 and 9 are for the purpose of depicting the cut line of the enlarged view and form no part of the claim.

1 Claim, 9 Drawing Sheets

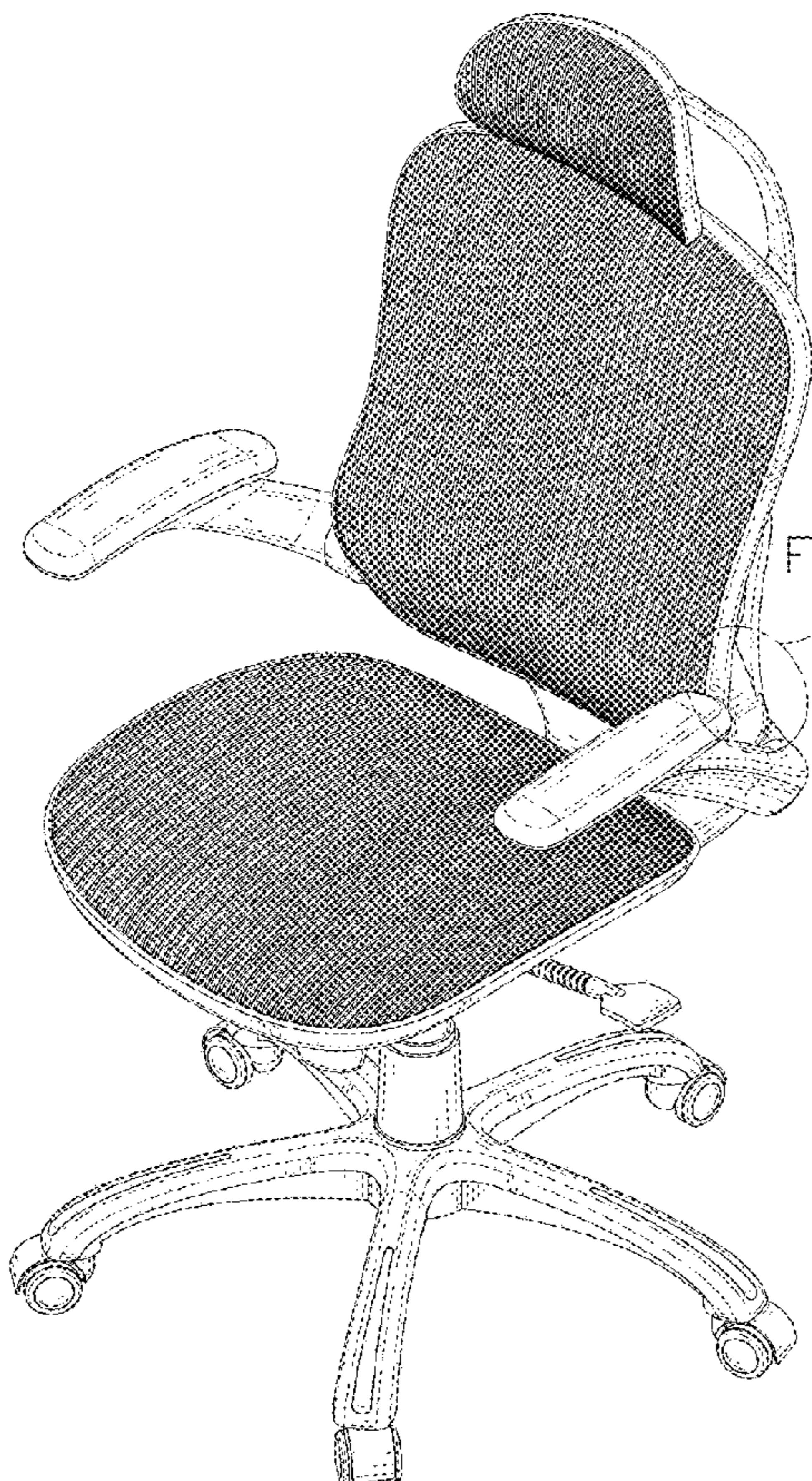
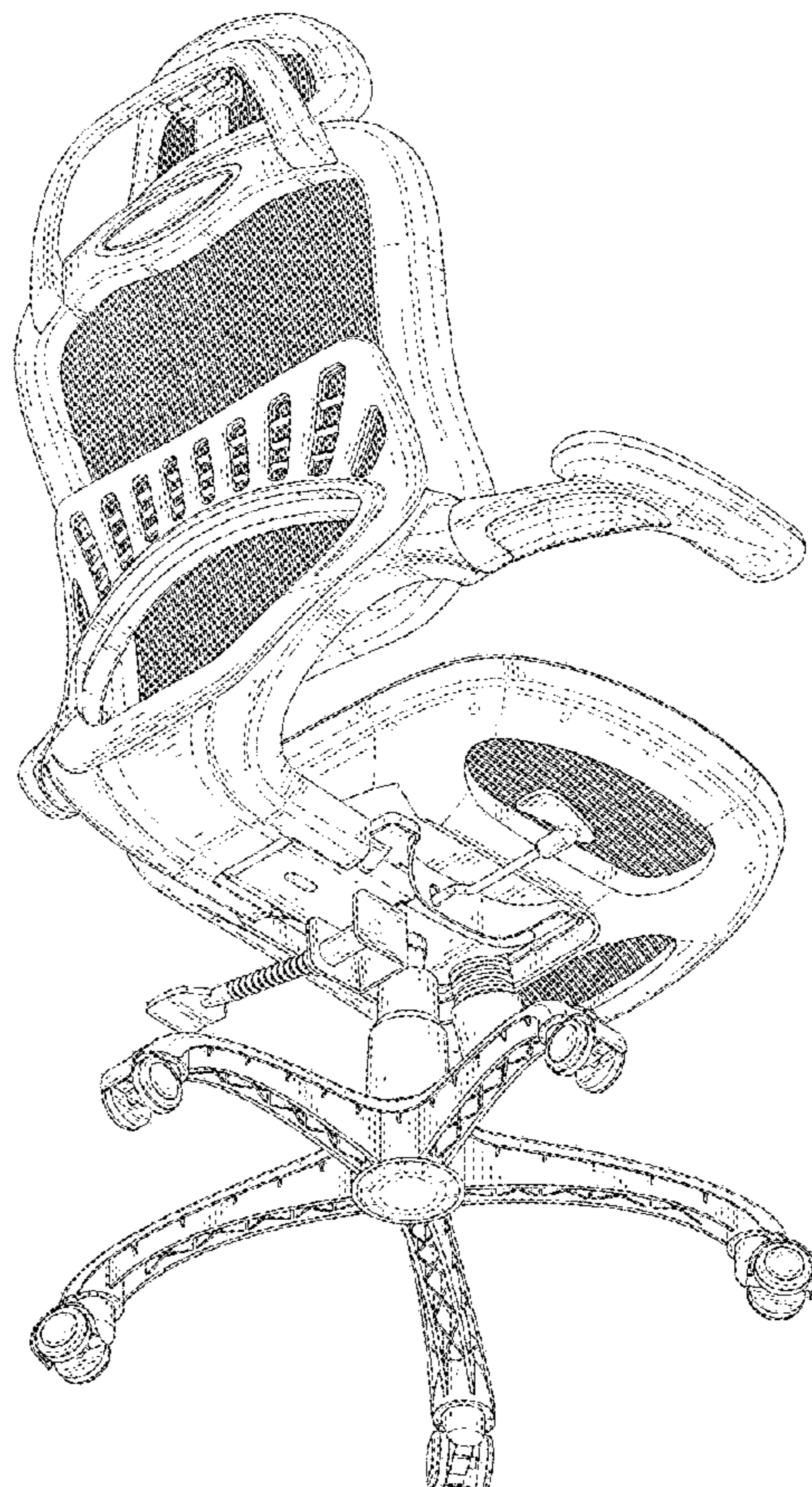


FIG. 9





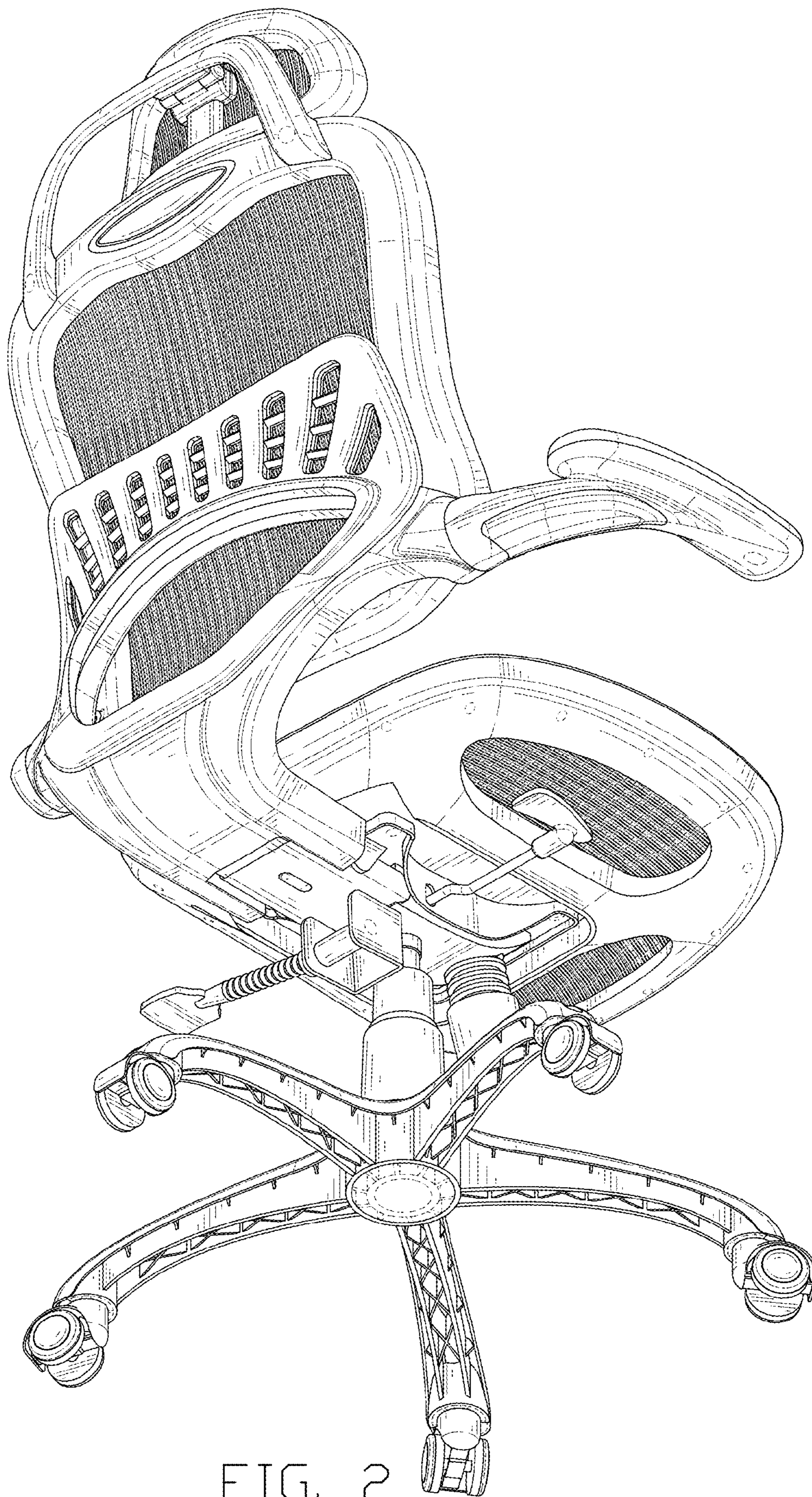


FIG. 2

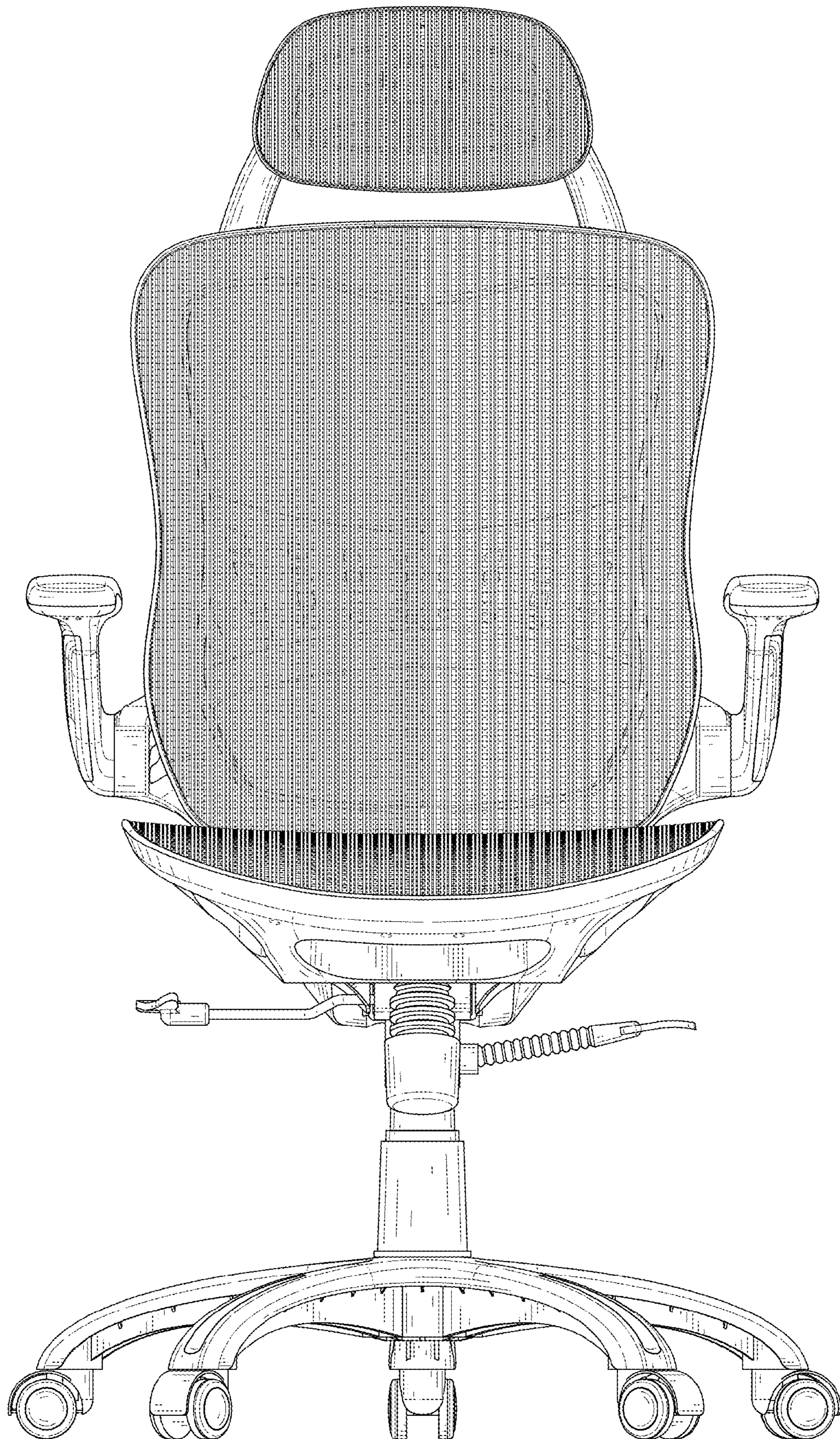


FIG. 3

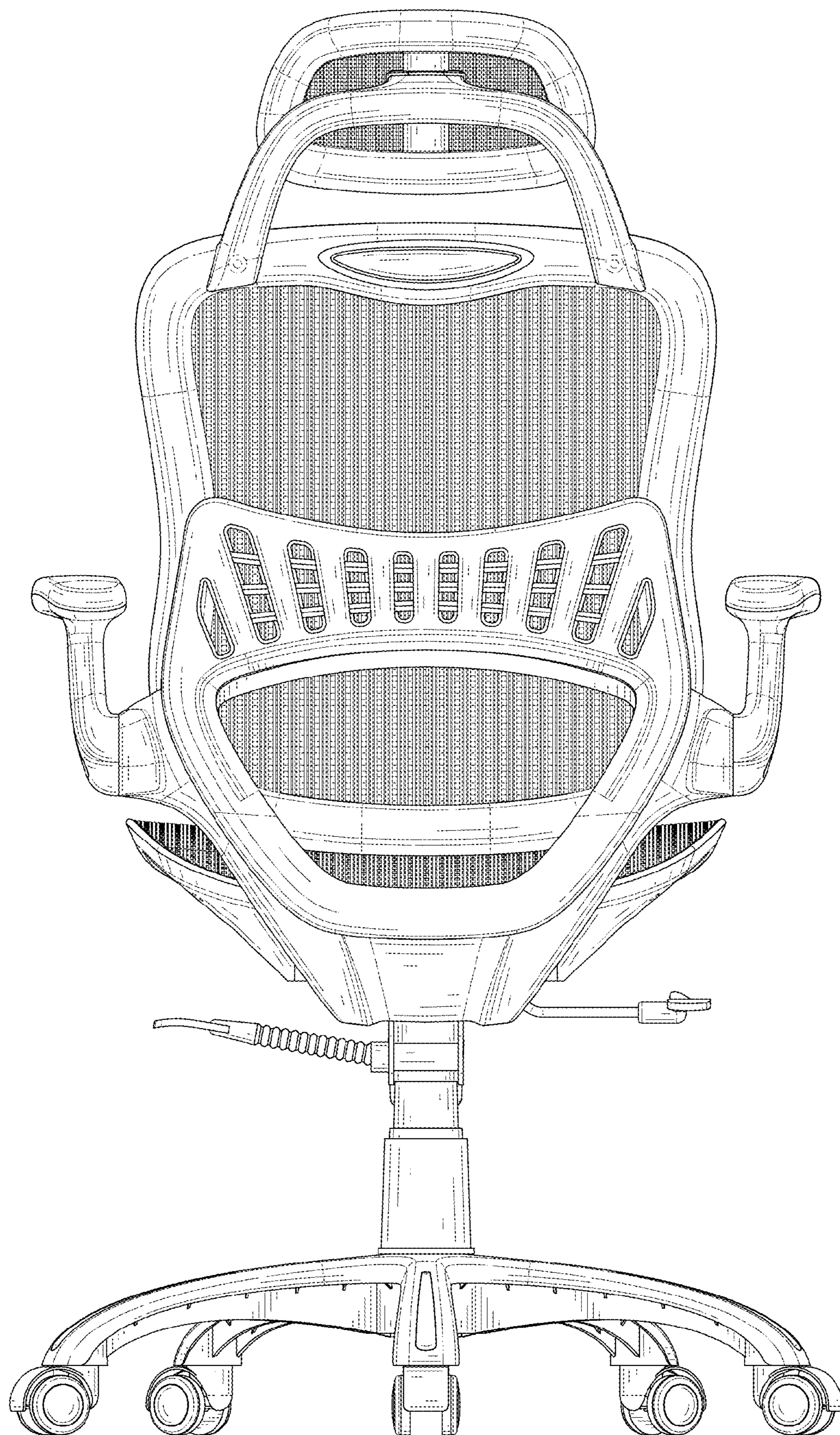


FIG. 4

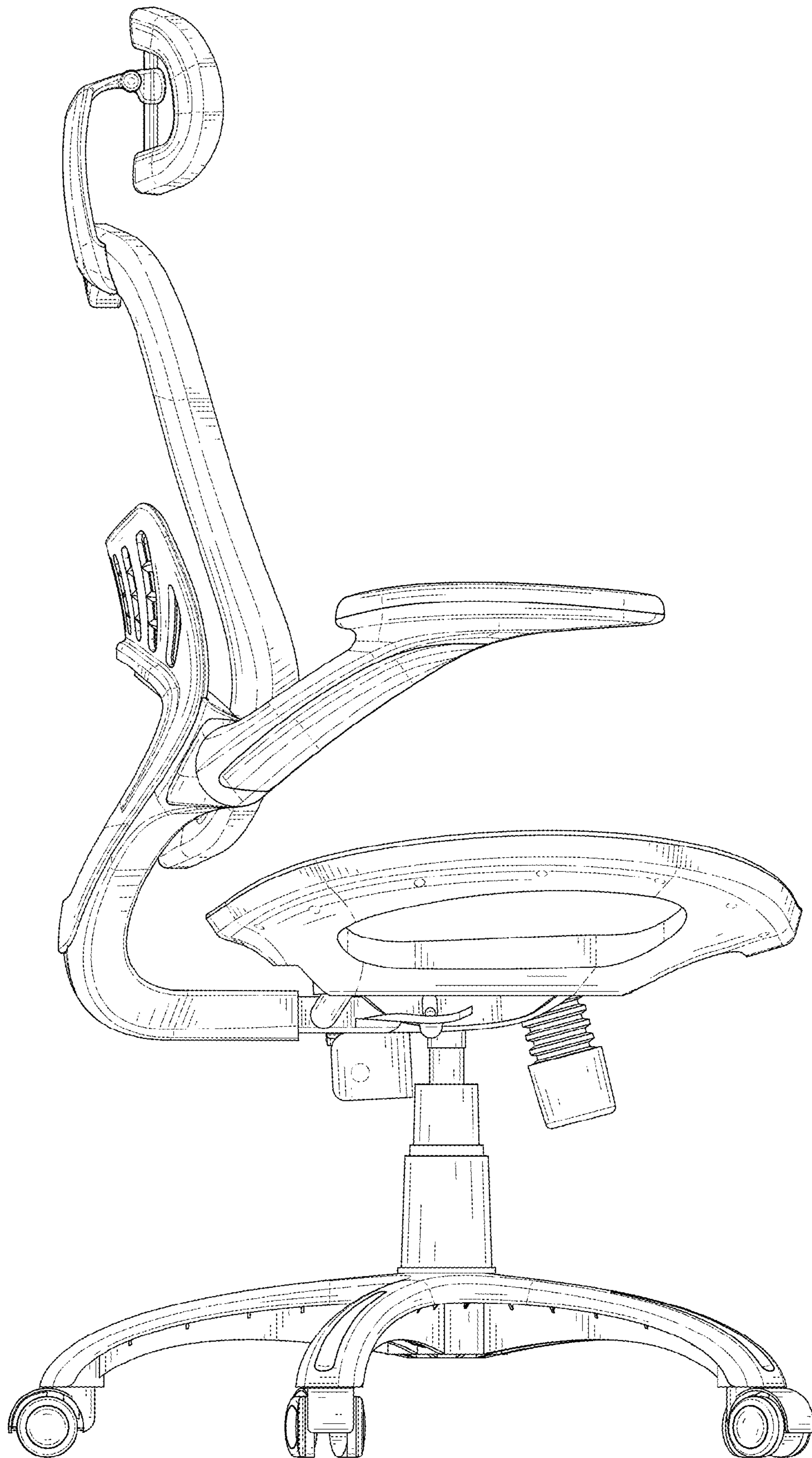


FIG. 5

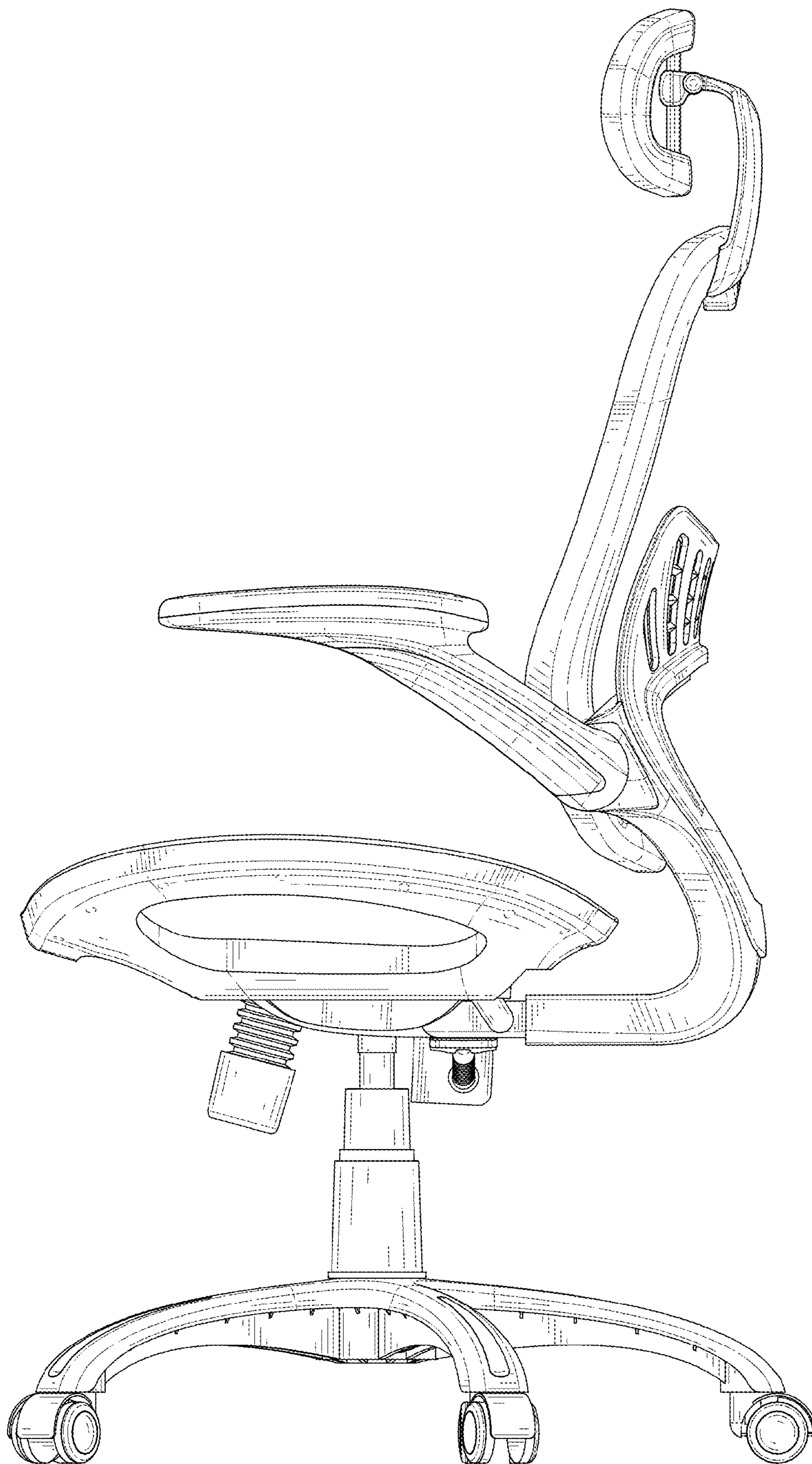


FIG. 6

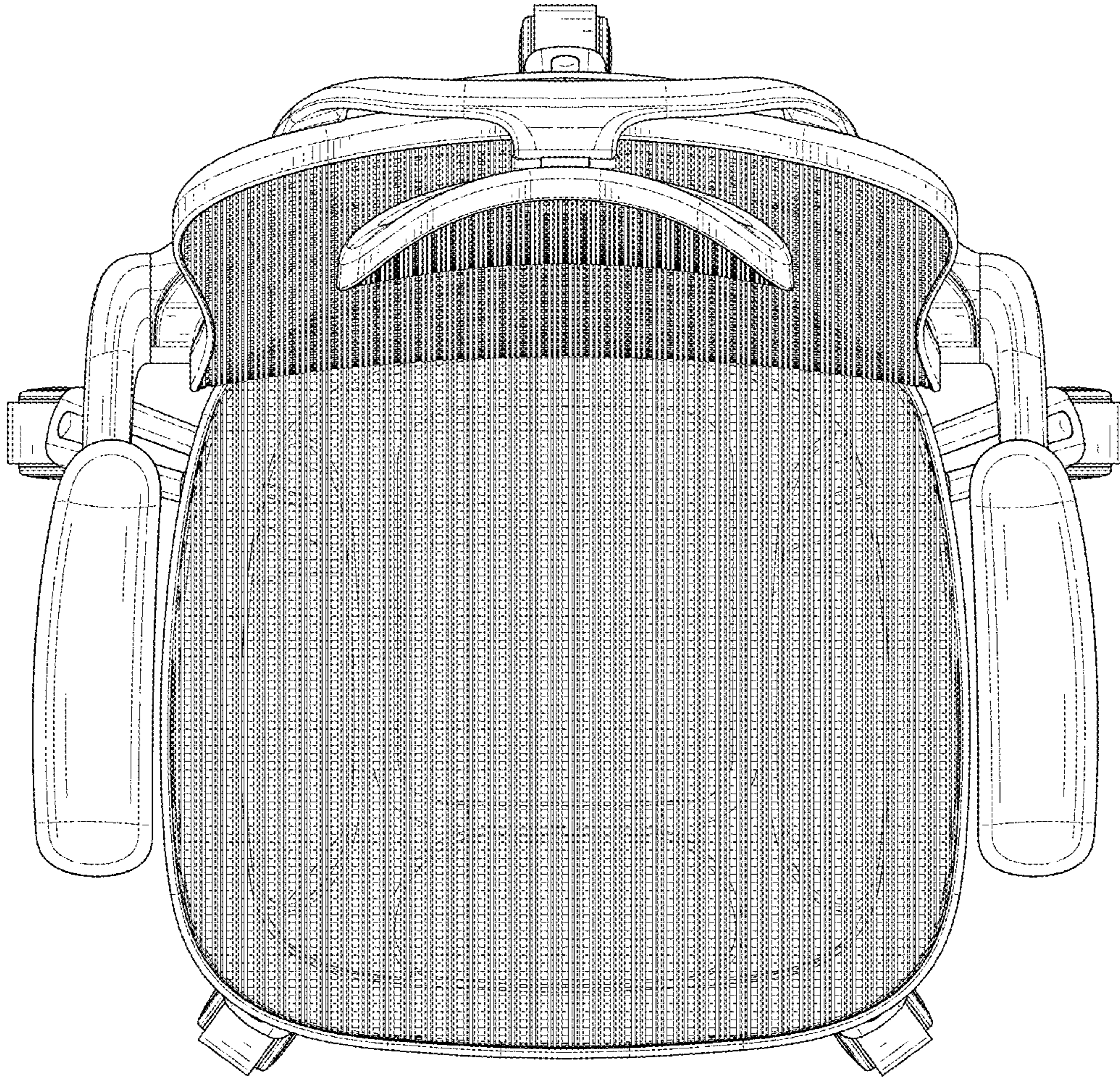


FIG. 7

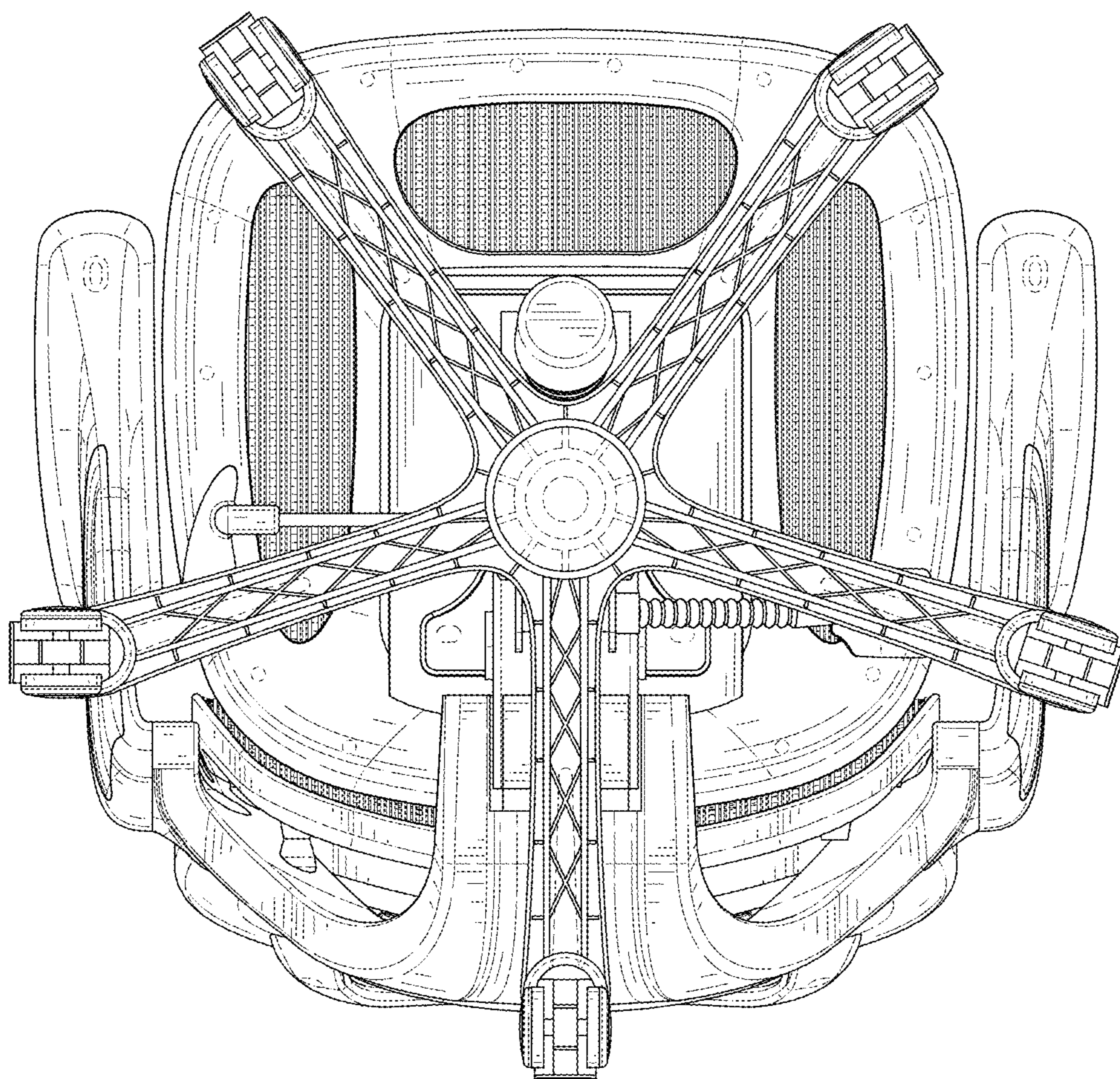


FIG. 8

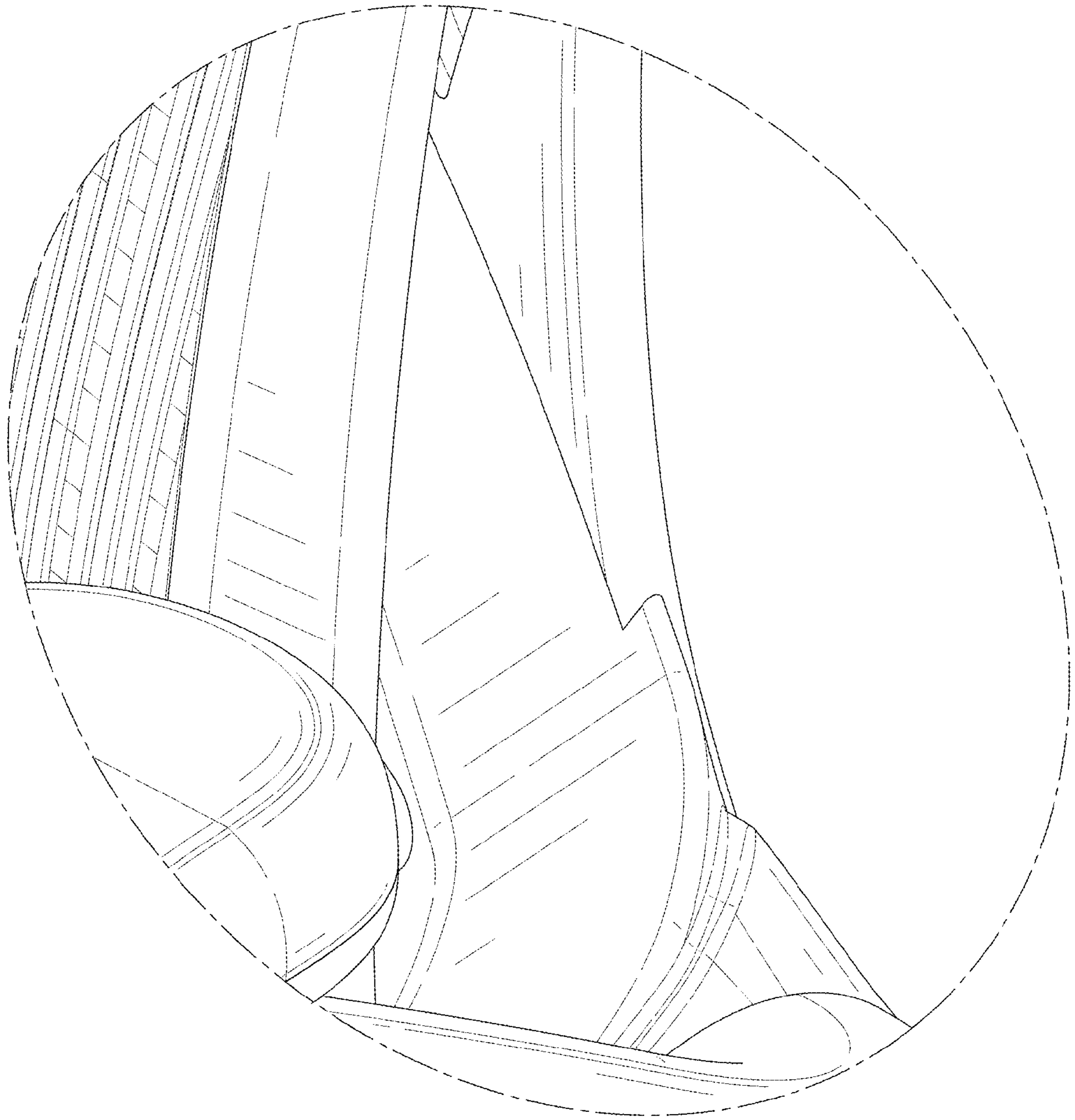


FIG. 9