



US00D971620S

(12) **United States Design Patent**
Liang

(10) **Patent No.:** **US D971,620 S**

(45) **Date of Patent:** **** Dec. 6, 2022**

- (54) **TOWEL HOOK**
- (71) Applicant: **Guangzhou Dihe Technology Co., LTD.**, Guangzhou (CN)
- (72) Inventor: **Meiling Liang**, Luoding (CN)
- (73) Assignee: **Guangzhou Dihe Technology Co., LTD.**, Guangzhou (CN)
- (**) Term: **15 Years**
- (21) Appl. No.: **29/828,191**
- (22) Filed: **Feb. 24, 2022**
- (51) **LOC (13) Cl.** **06-08**
- (52) **U.S. Cl.**
USPC **D6/323**
- (58) **Field of Classification Search**
USPC D6/315, 317-320, 323, 326, 328, 672;
D8/367, 372, 373, 380
CPC A47G 25/00; A47G 25/06; A47G 25/10;
A47G 25/28; A47G 25/30; A47G 25/32;
A47G 25/68; A47G 1/00
See application file for complete search history.

- D839,721 S * 2/2019 Downey D8/367
- D867,771 S 11/2019 Zhong
- D887,254 S * 6/2020 Bond D8/367
- D906,097 S * 12/2020 Krull D8/367
- D935,312 S * 11/2021 Zhou D8/367

OTHER PUBLICATIONS

Taozun Adhesive Hooks—Black Towel Hooks 4 Packs, available in Amazon.com, first available date Aug. 17, 2021, site visited Jul. 27, 2022, URL:https://www.amazon.com/Taozun-Adhesive-Hooks-Stainless-Rustproof/dp/B0997SQ5RM/ (Year: 2021).*

YIGII Adhesive Black Robe Hook KS022H, available in YIGII.com, site visited Jul. 20, 2022, URL:https://www.yigii.com/product/yigii-adhesive-black-robe-hook-ks022h/ (Year: 2022).*

* cited by examiner

Primary Examiner — Mary Ann Calabrese
Assistant Examiner — Mark David Wolfley
 (74) *Attorney, Agent, or Firm* — ScienBiziP, P.C.

(57) **CLAIM**

The ornamental design for a towel hook, as shown and described.

DESCRIPTION

FIG. 1 is a front, right, top perspective view of a towel hook, showing my design.

FIG. 2 is a rear, left, bottom perspective view thereof.

FIG. 3 is a front elevation view thereof.

FIG. 4 is a rear elevation view thereof.

FIG. 5 is a left side elevation view thereof.

FIG. 6 is a right side elevation view thereof.

FIG. 7 is a top plan view thereof; and,

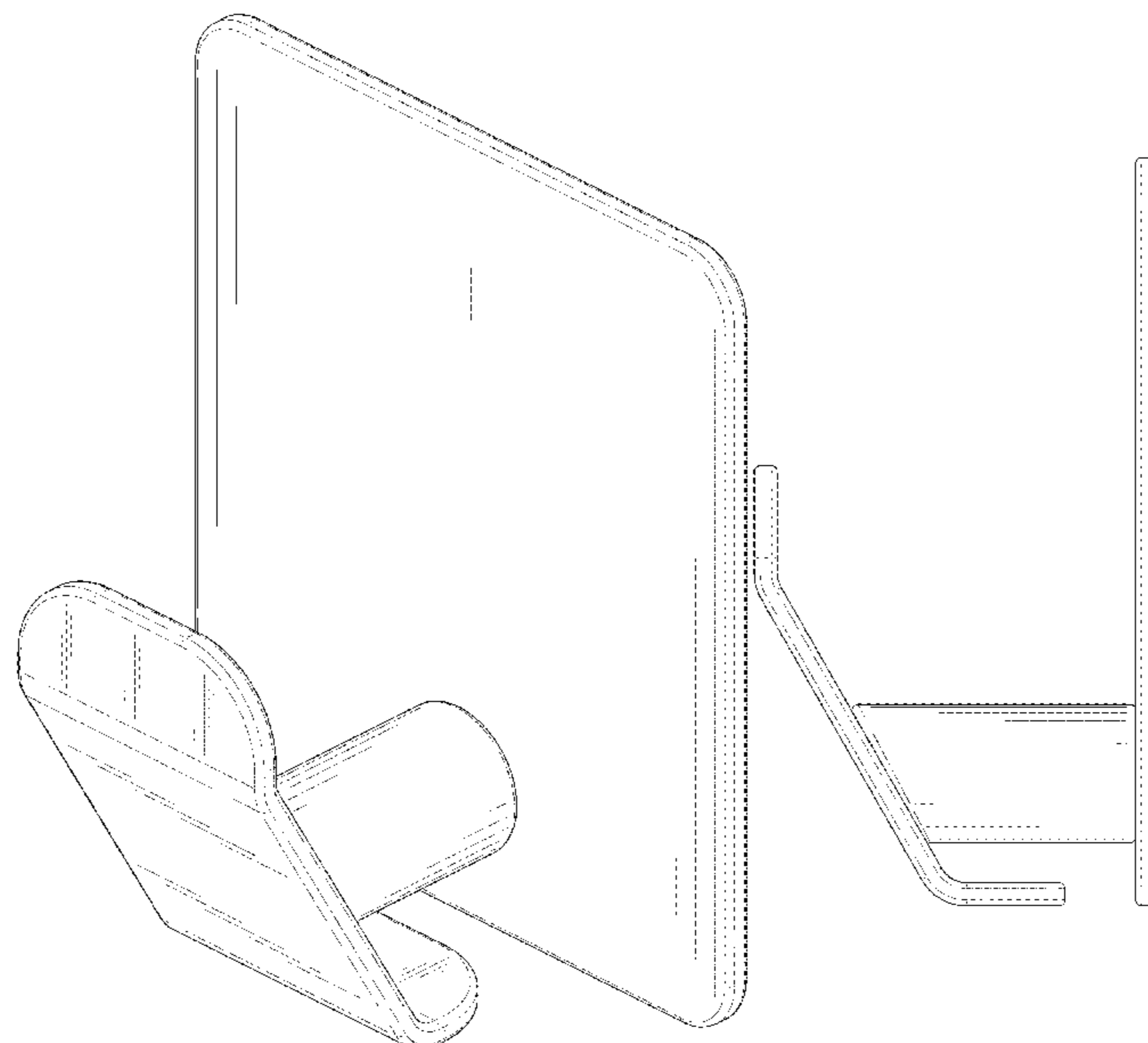
FIG. 8 is a bottom plan view thereof.

1 Claim, 8 Drawing Sheets

(56) **References Cited**

U.S. PATENT DOCUMENTS

- D322,361 S * 12/1991 Goodman D8/367
- 6,789,773 B2 * 9/2004 Holland A47G 25/0607
248/307
- D566,532 S * 4/2008 Wolff D8/367
- D761,093 S * 7/2016 Liu D8/367
- D767,907 S * 10/2016 Goodman D6/323
- D769,702 S * 10/2016 Kuniyoshi D8/367
- D811,201 S * 2/2018 Berger D8/367
- D811,862 S * 3/2018 Berger D8/367
- D812,453 S * 3/2018 Berger D8/367
- D812,454 S * 3/2018 Berger D8/367
- D821,184 S * 6/2018 Berger D8/367
- D839,632 S 2/2019 Downey



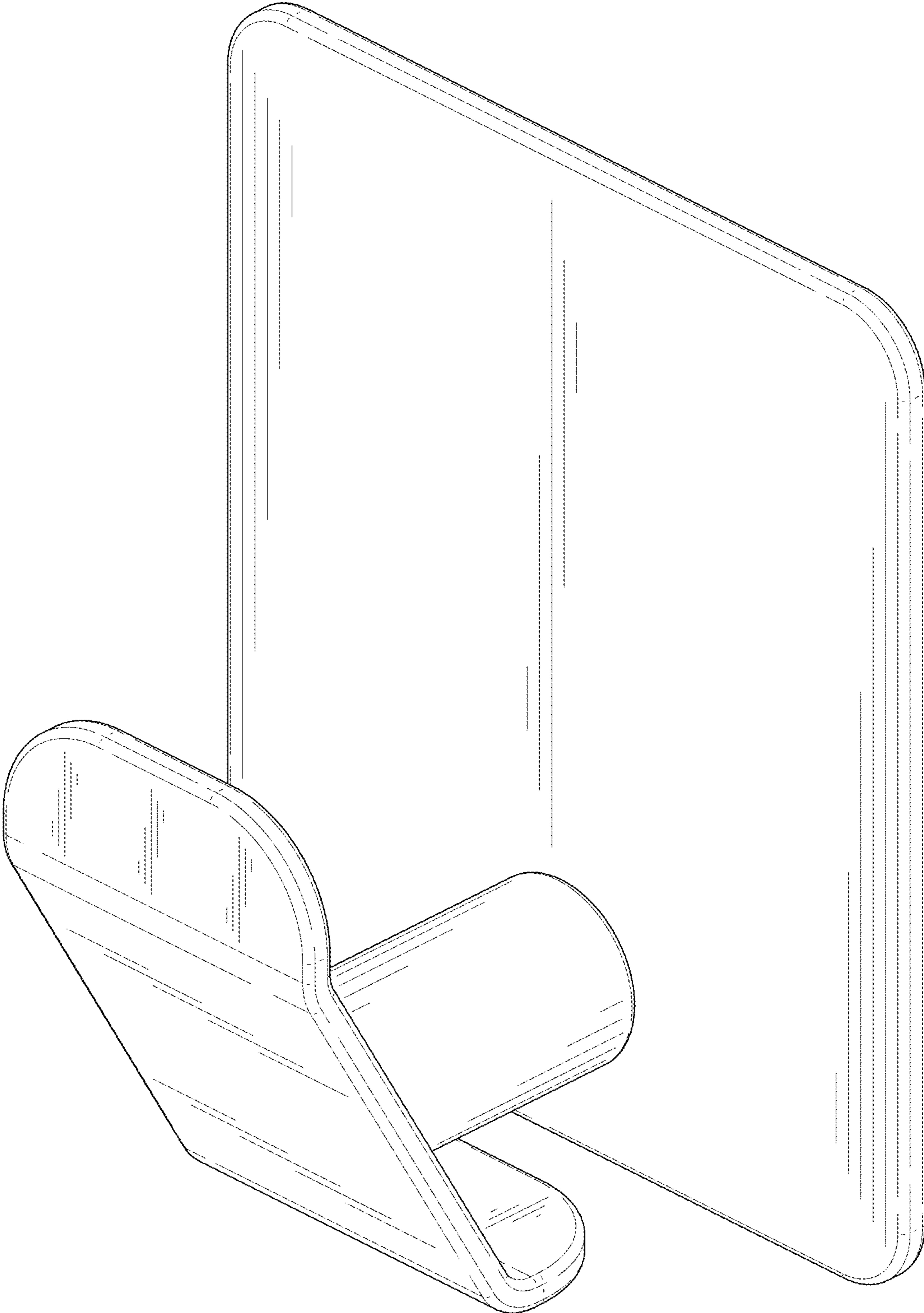


FIG. 1

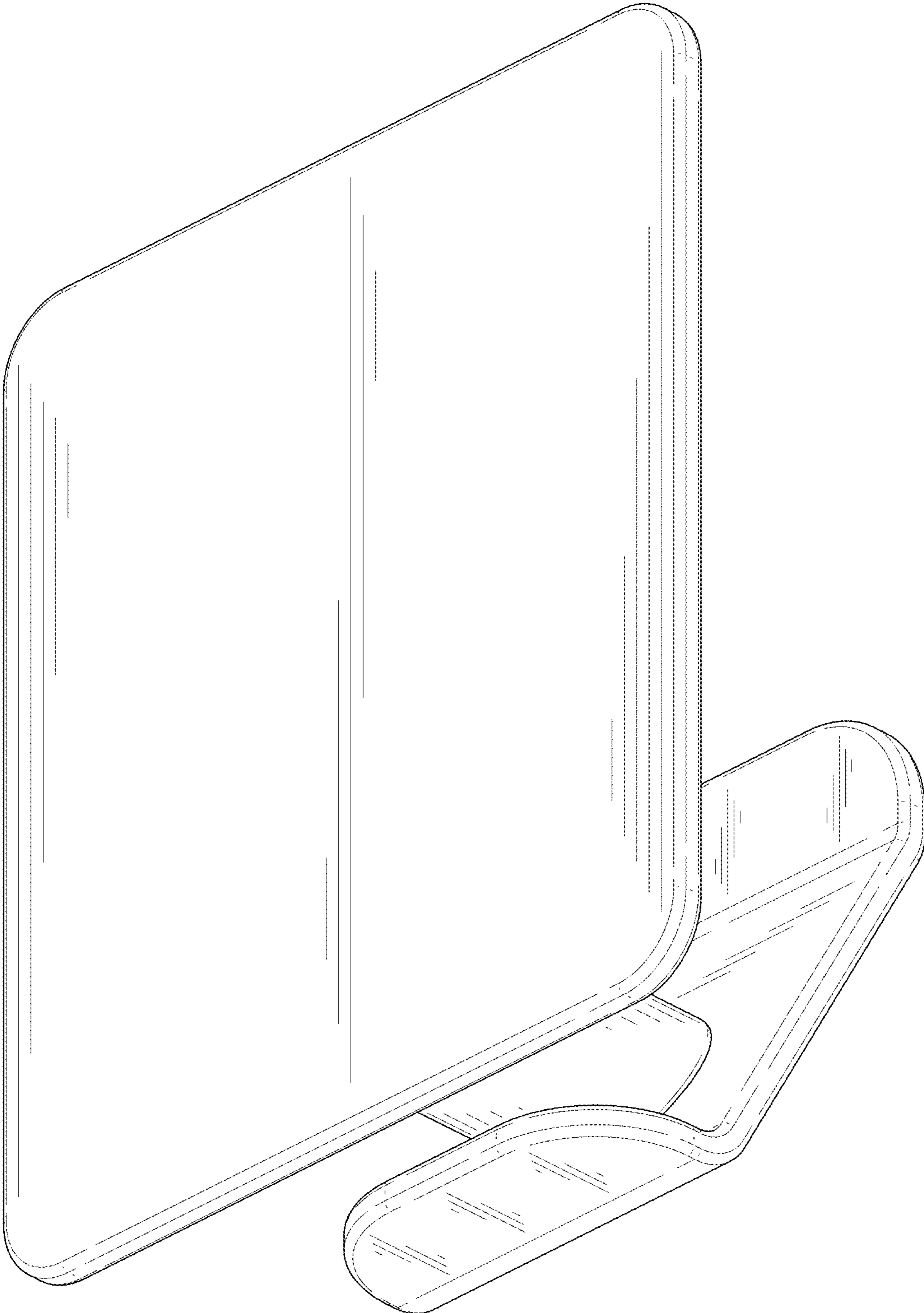


FIG. 2

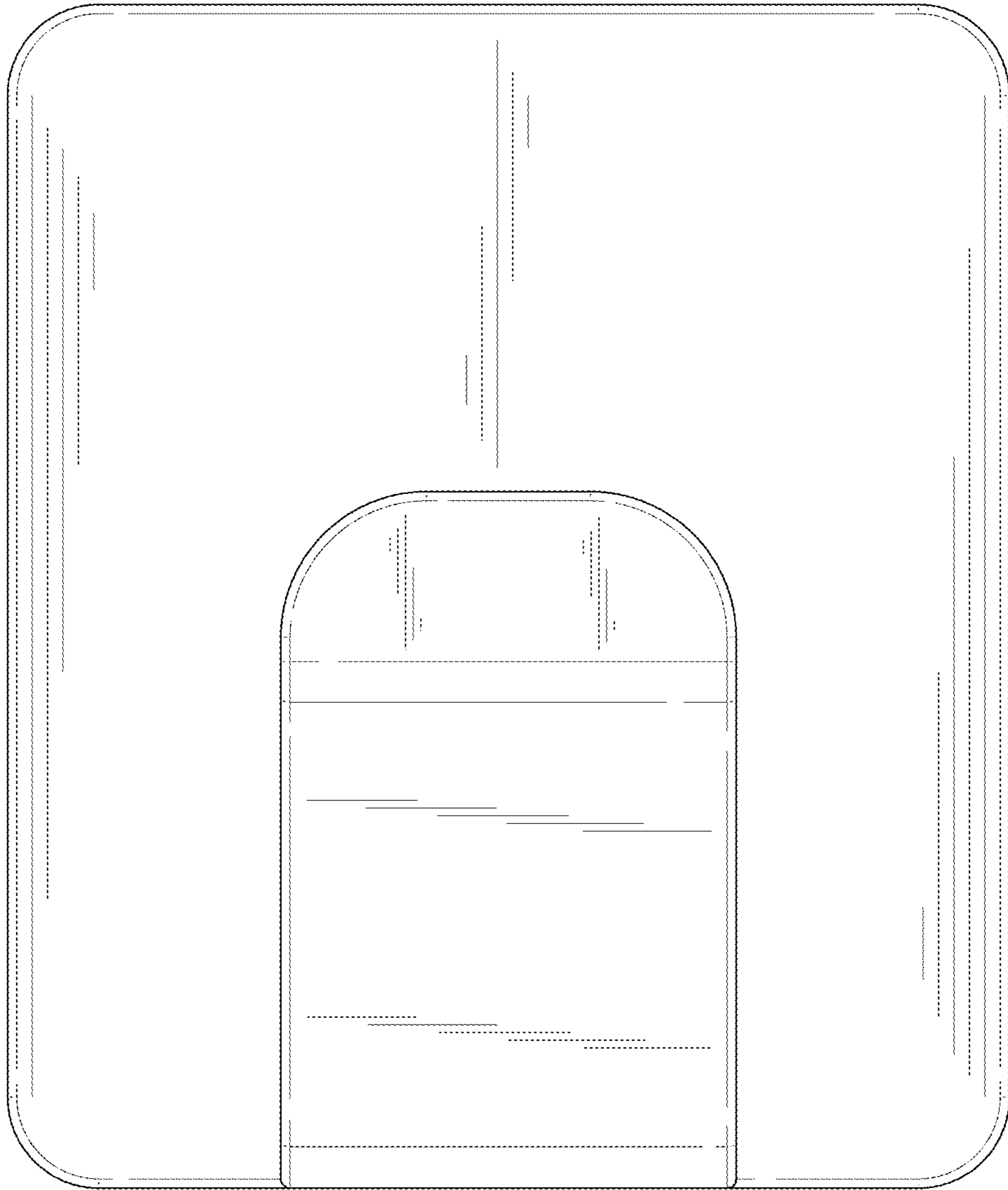


FIG. 3

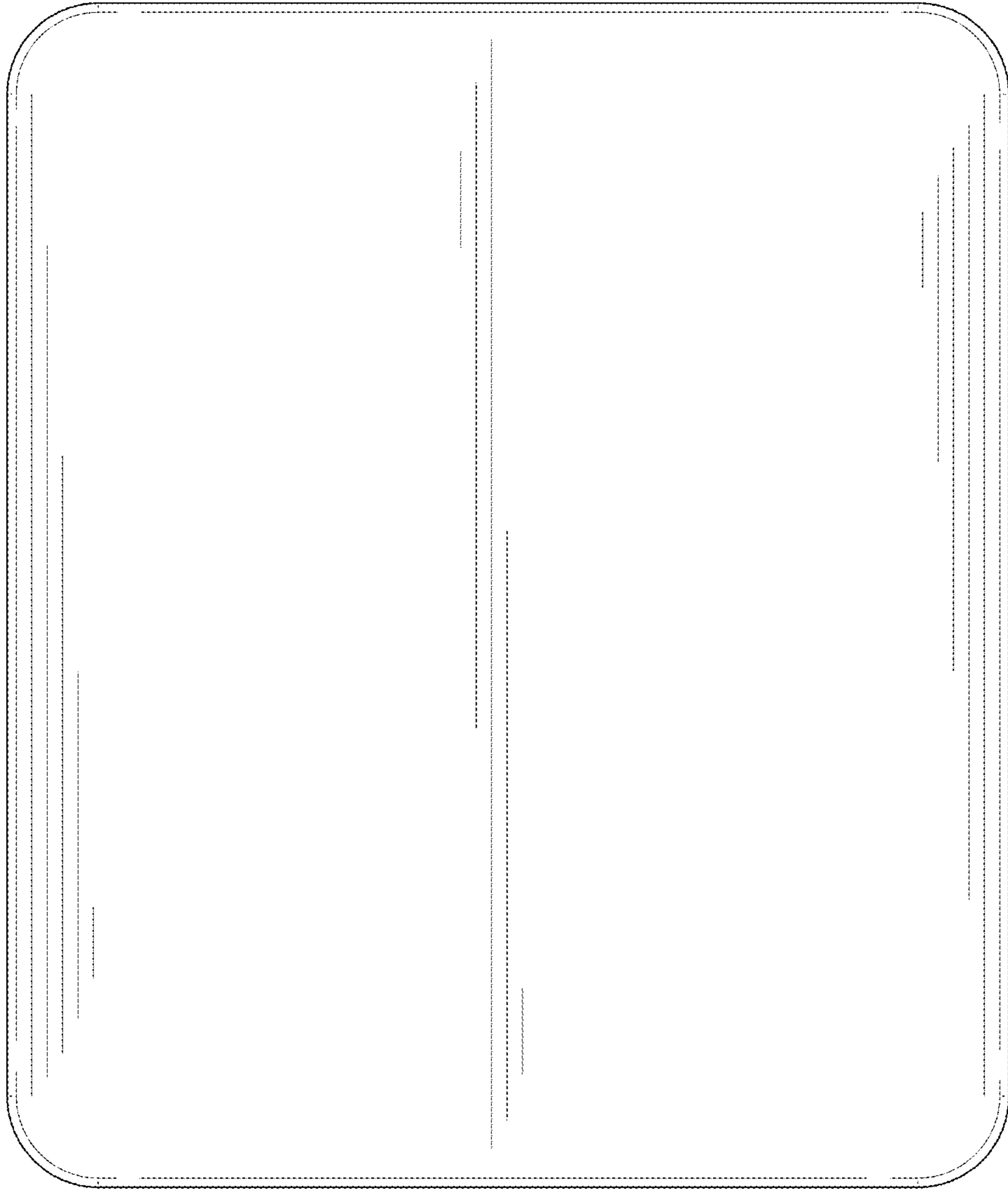


FIG. 4

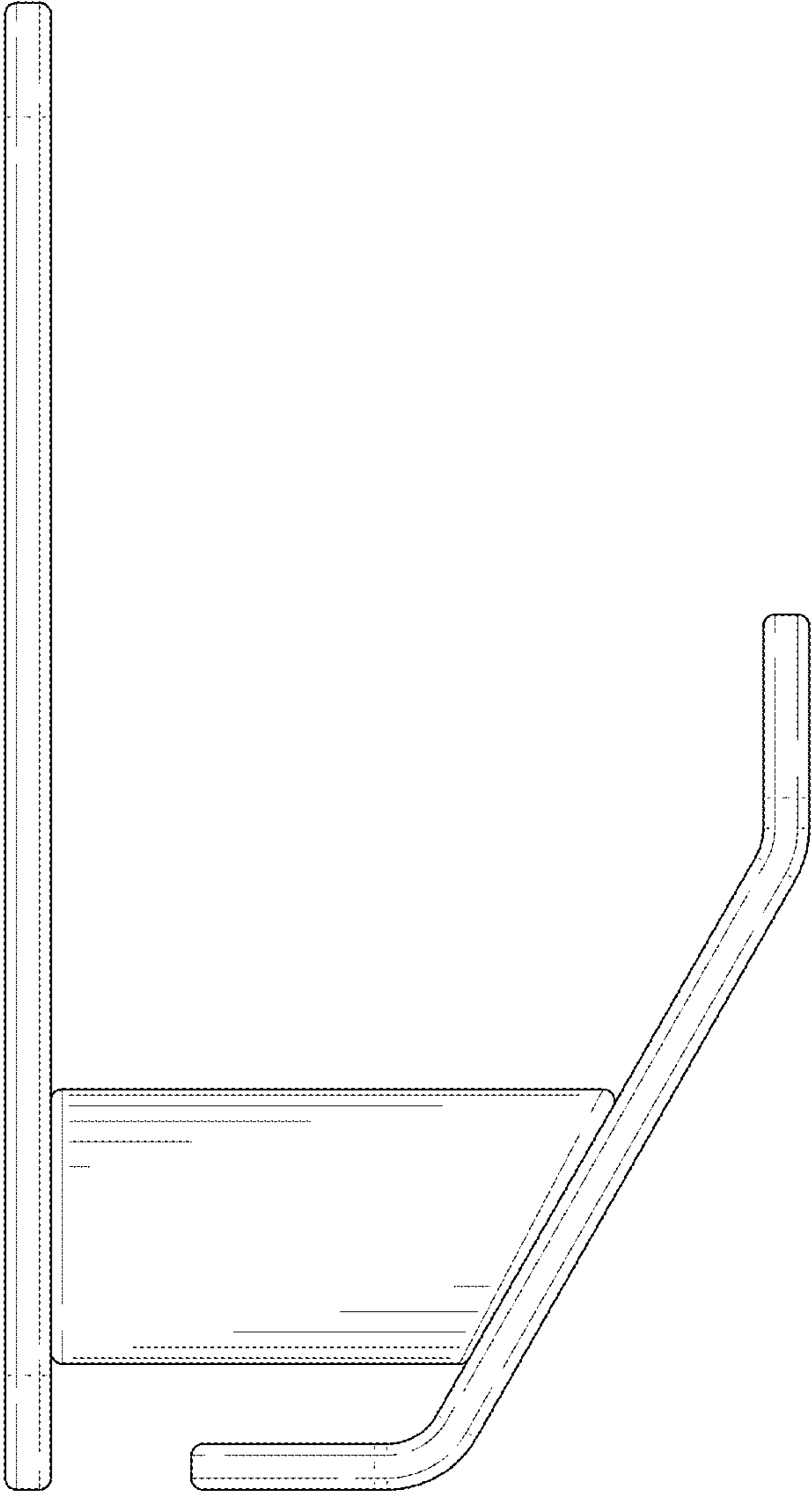


FIG. 5

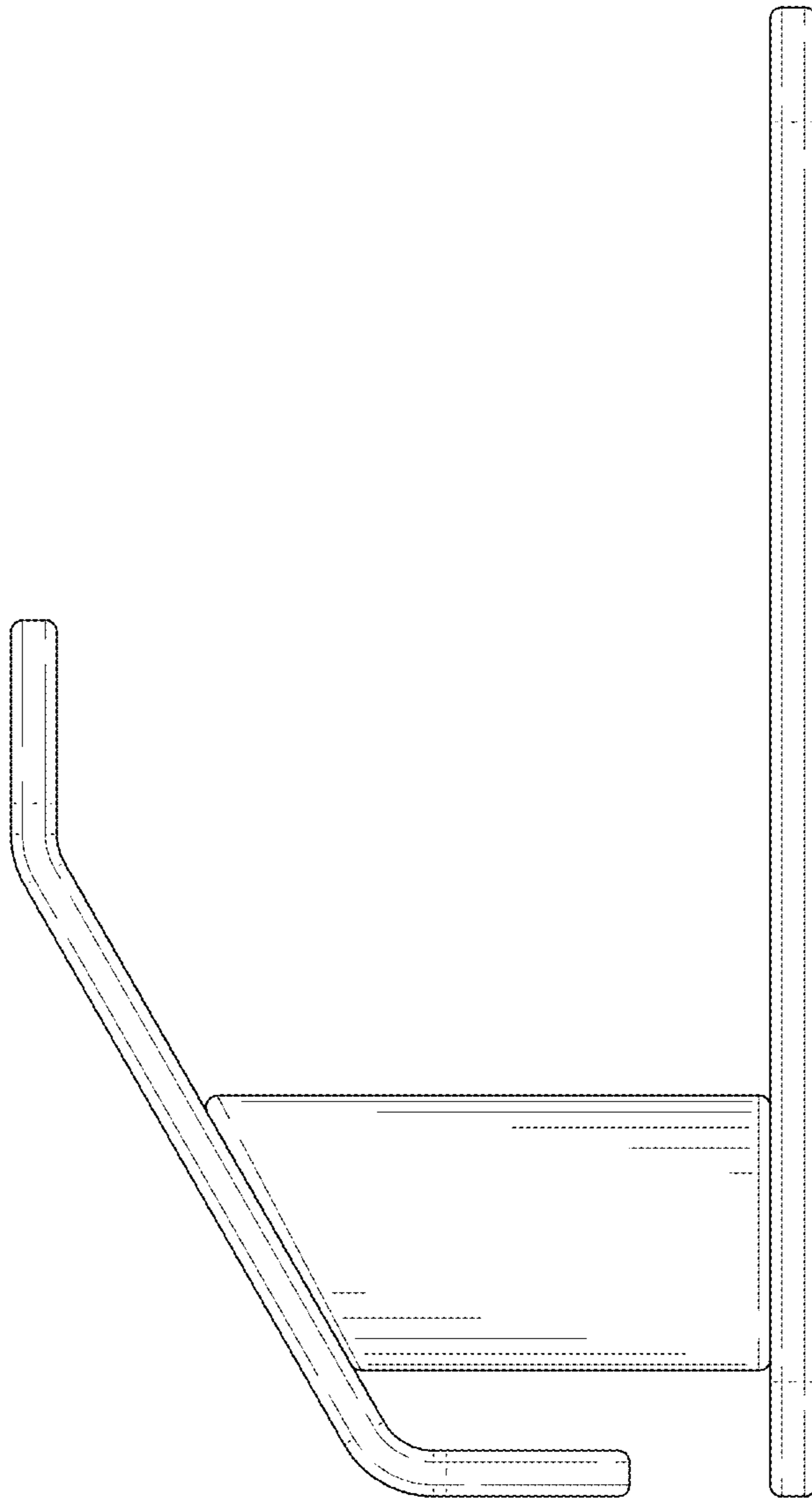


FIG. 6

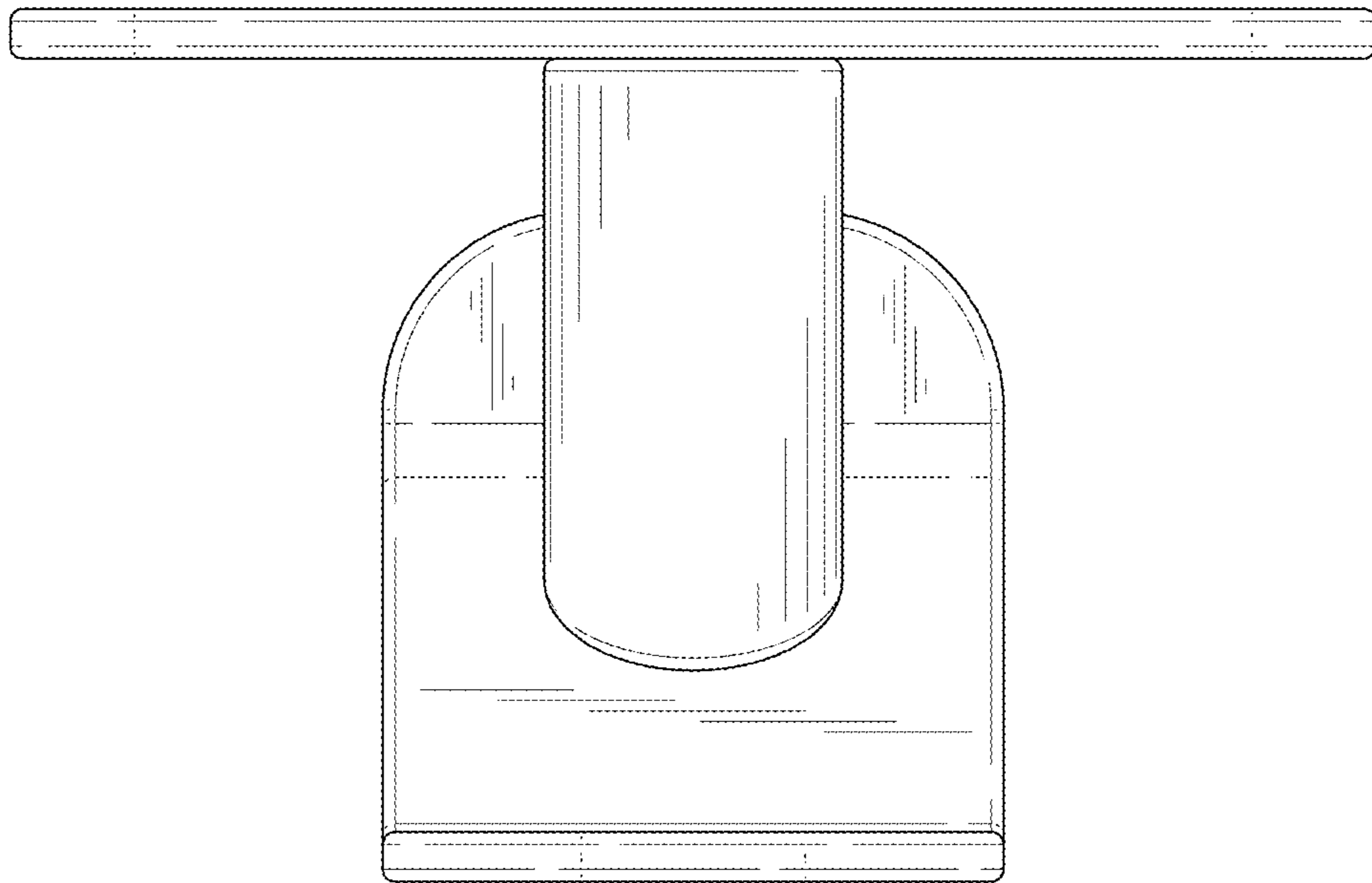


FIG. 7

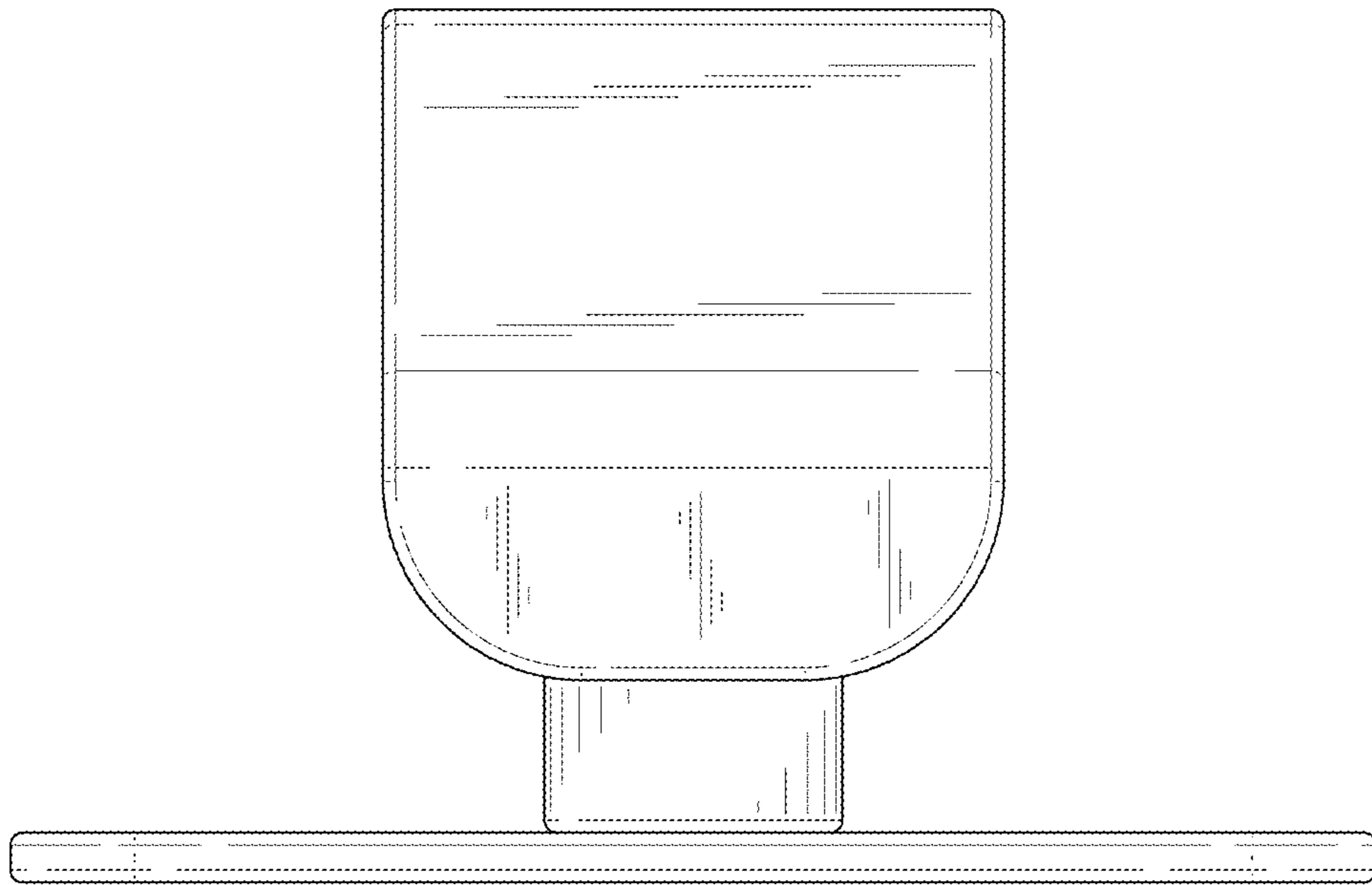


FIG. 8