



US00D971619S

(12) **United States Design Patent** (10) **Patent No.:** **US D971,619 S**
Wang (45) **Date of Patent:** **** Dec. 6, 2022**

(54) **DIGITAL FRAME**

D634,320 S * 3/2011 Bliven D14/371
D818,723 S * 5/2018 Moyer D6/310
D878,775 S * 3/2020 Wang D14/371

(71) Applicant: **Shenzhen Renmei Plastic Cement Electronic Co., Ltd., Shenzhen (CN)**

FOREIGN PATENT DOCUMENTS

(72) Inventor: **Huailu Wang, Ganzhou (CN)**

CN 307010805 * 12/2021
CN 307203079 * 3/2022

(**) Term: **15 Years**

OTHER PUBLICATIONS

(21) Appl. No.: **29/800,193**

Evatronic Digital Picture Frame [online], [site visited May 2, 2022]. Available from internet, URL: <https://www.amazon.com/dp/B09Q5G1TC4> (Year: 2022).*

(22) Filed: **Jul. 20, 2021**

(Continued)

(51) **LOC (13) Cl.** **06-07**

(52) **U.S. Cl.**

USPC **D6/308**

(58) **Field of Classification Search**

USPC D6/300, 301, 302, 303, 304, 307, 308, D6/309, 310, 311, 312, 313, 314; D10/15, 21, 24; D14/336, 341, 371, 372, D14/374, 381, 382, 448, 450; D20/10, D20/27

CPC A47G 1/06; A47G 1/0605; A47G 1/0616; A47G 1/0638; A47G 1/08; A47G 1/14; A47G 1/142; A47G 1/16; A47G 1/1613; A47G 2001/0688; A47G 2001/0694; A47G 2001/148; G09G 2380/16

See application file for complete search history.

Primary Examiner — Cynthia Ramirez

Assistant Examiner — Xavier Marti-Santos

(74) *Attorney, Agent, or Firm* — Rumit R. Kanakia

(57) **CLAIM**

The ornamental design for a digital frame, as shown and described.

DESCRIPTION

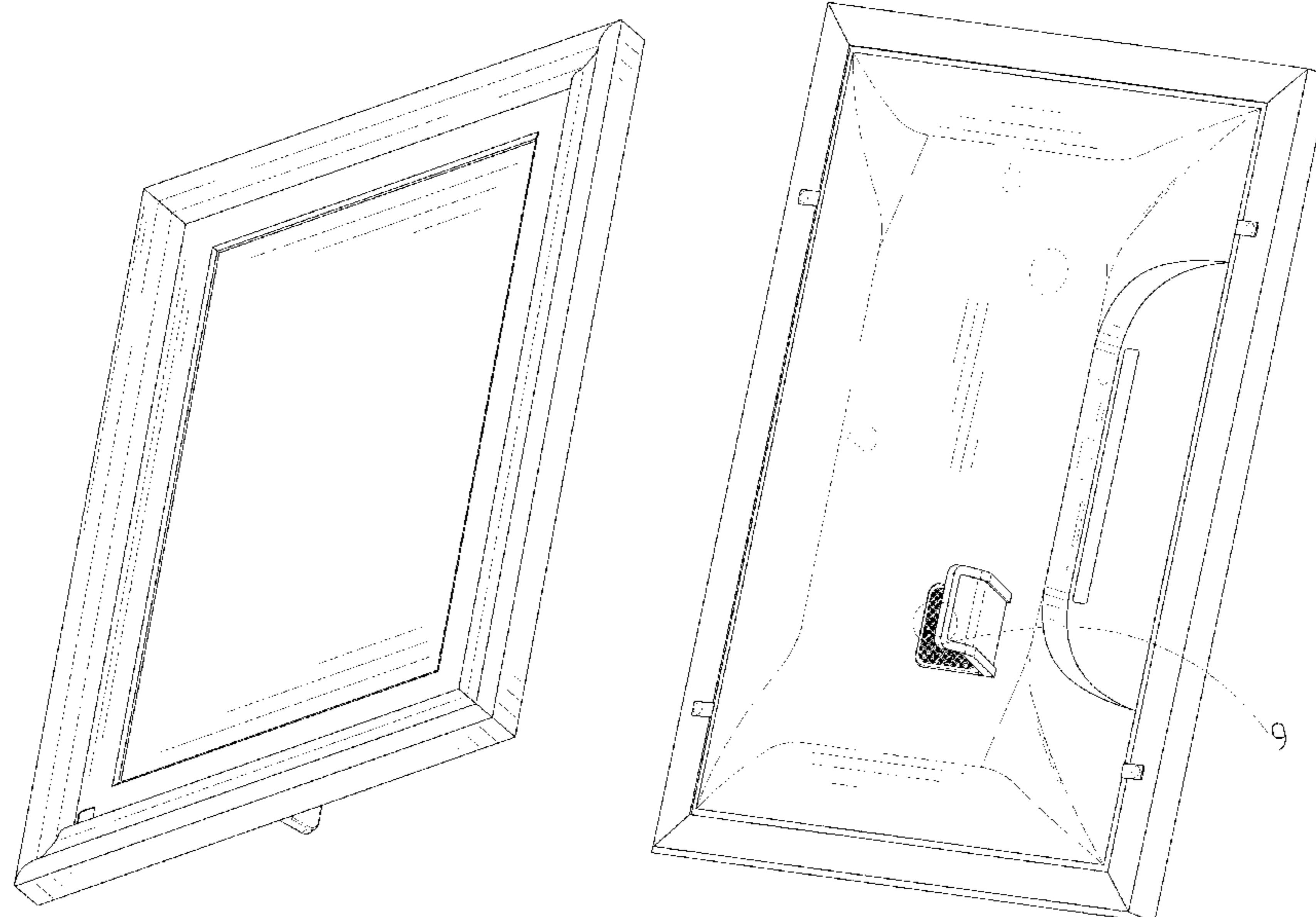
FIG. 1 is a first perspective view of a digital frame showing my new design;
FIG. 2 is a second perspective view thereof;
FIG. 3 is a front view thereof;
FIG. 4 is a back view thereof;
FIG. 5 is a left side view thereof;
FIG. 6 is a right side view thereof;
FIG. 7 is a top view thereof;
FIG. 8 is a bottom view thereof; and,
FIG. 9 is an enlarged view of the selected portion in FIG. 2. The broken lines shown in the drawings depict portions of the digital frame in which the design is embodied that form no part of the claimed design. The dash-dot broken lines in the figures are demarcating enlarged areas and form no part of the claimed design.

(56) **References Cited**

U.S. PATENT DOCUMENTS

D570,610 S * 6/2008 Chuang D14/371
D572,025 S * 7/2008 Kwon D14/371
D577,207 S 9/2008 Tsai
D583,572 S 12/2008 Zhai et al.
D591,518 S * 5/2009 Zhai D14/371
D601,814 S * 10/2009 Lissola D6/311
D602,259 S * 10/2009 Finnegan D14/371
D609,018 S * 2/2010 Tzeng D14/371
D613,510 S * 4/2010 Tzeng D14/371
D615,306 S * 5/2010 Ji D14/371

1 Claim, 9 Drawing Sheets



(56)

References Cited

OTHER PUBLICATIONS

AOCWEI Digital Picture Frame [online], [site visited May 2, 2022].
Available from internet, URL: <<https://www.amazon.com/AOCWEI-Digital-Picture-Electronic-Storage/dp/B09DPF9WHW/?th=1>> (Year: 2021).*

* cited by examiner

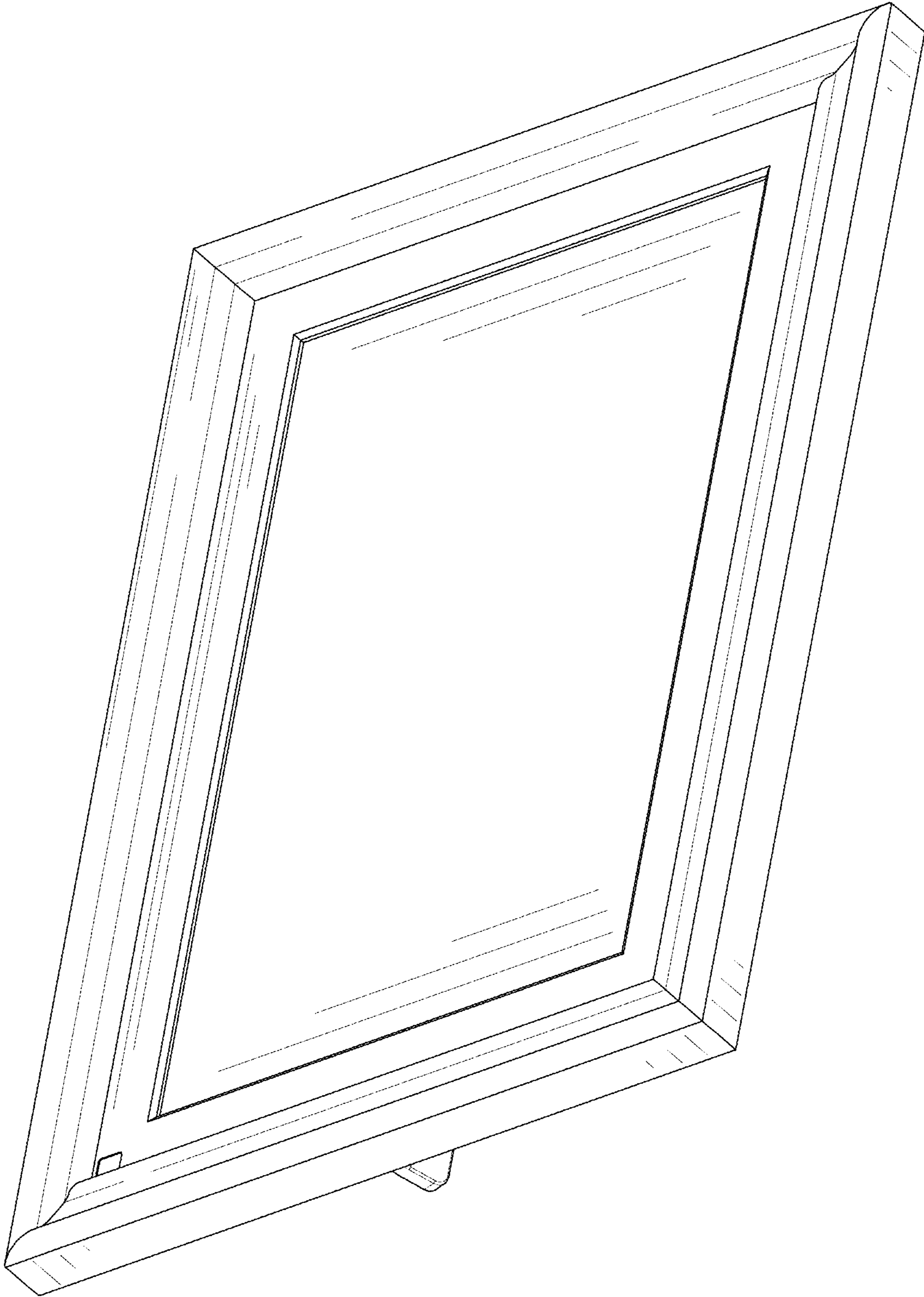


FIG. 1

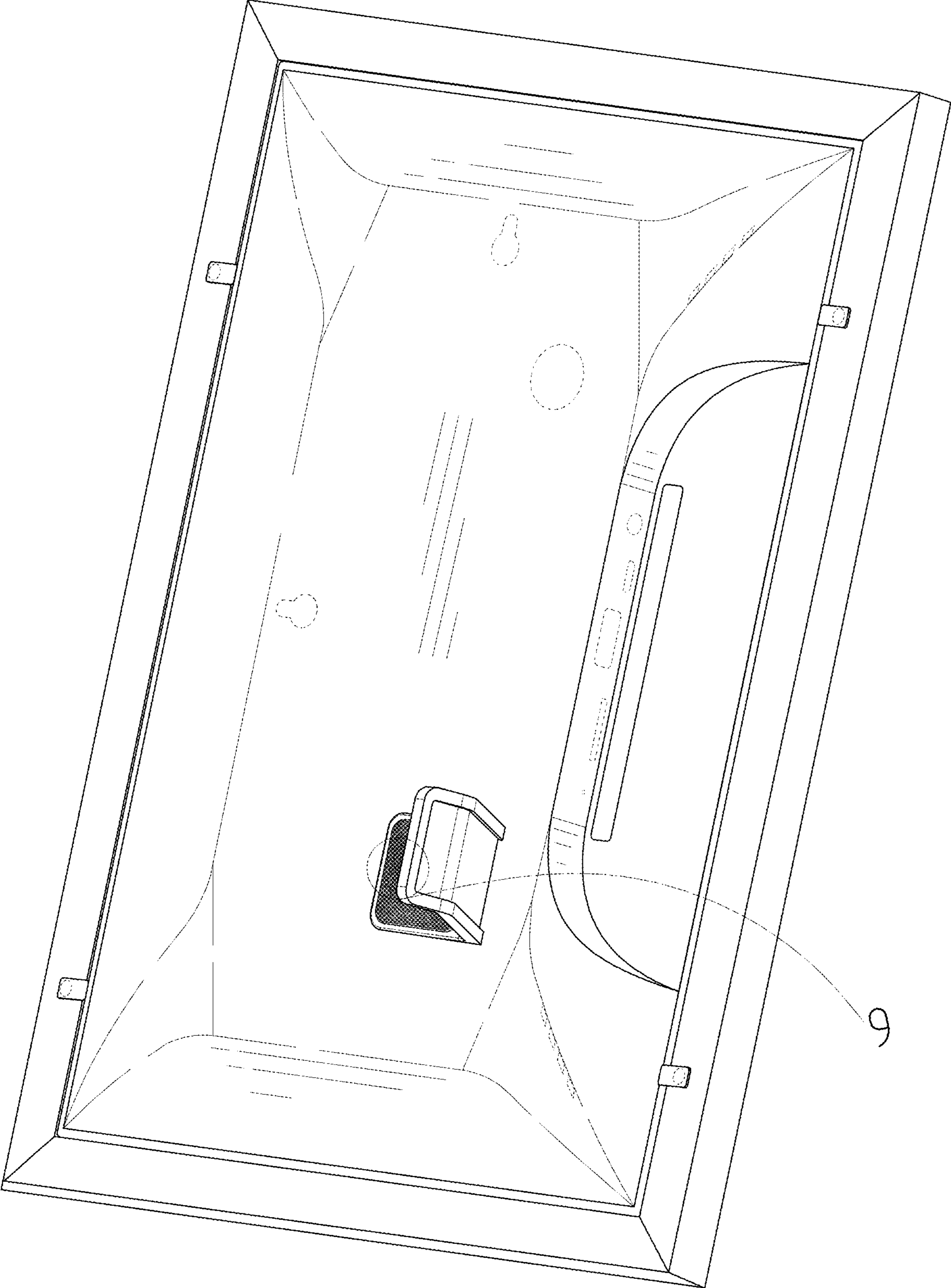


FIG. 2

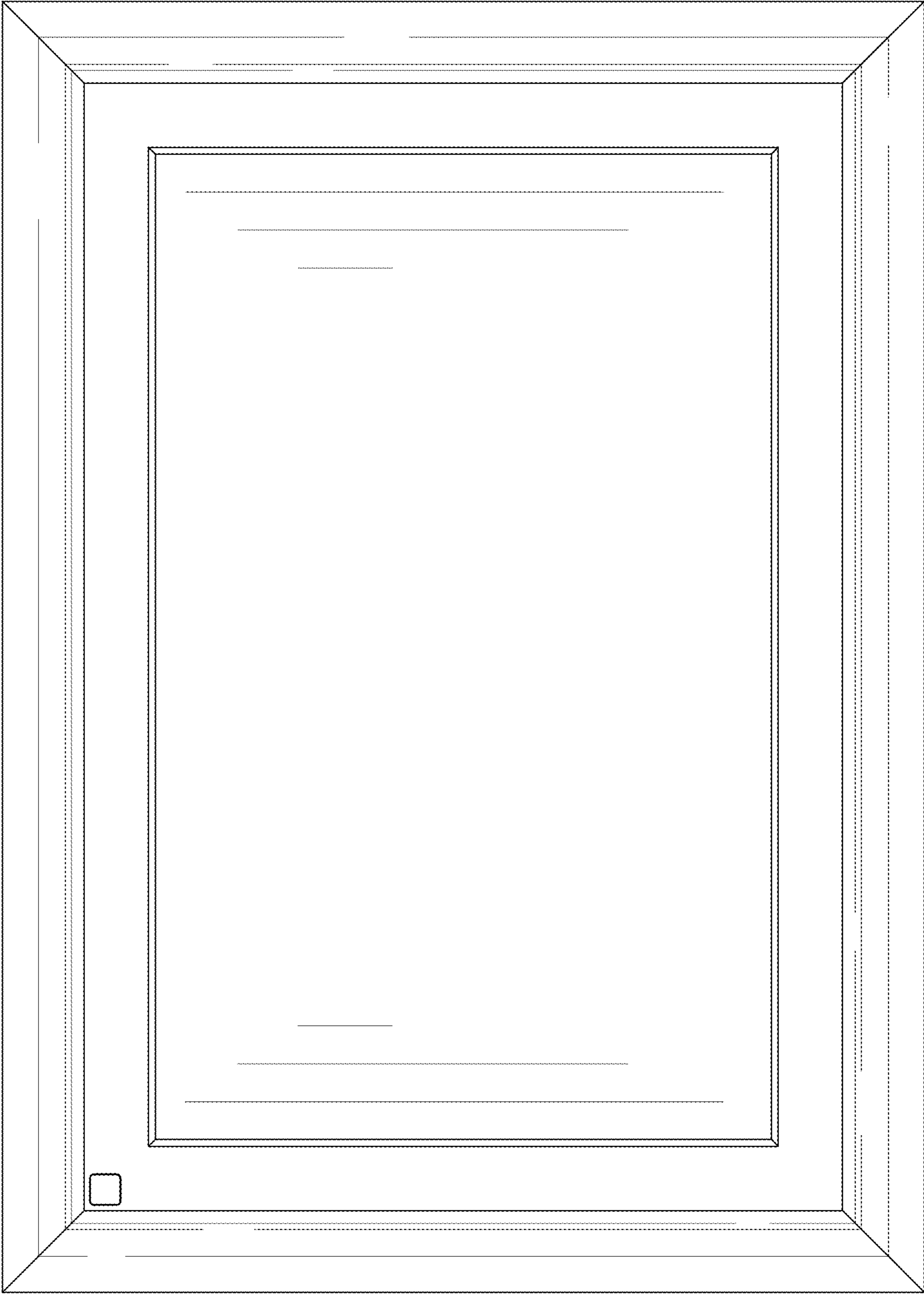


FIG. 3

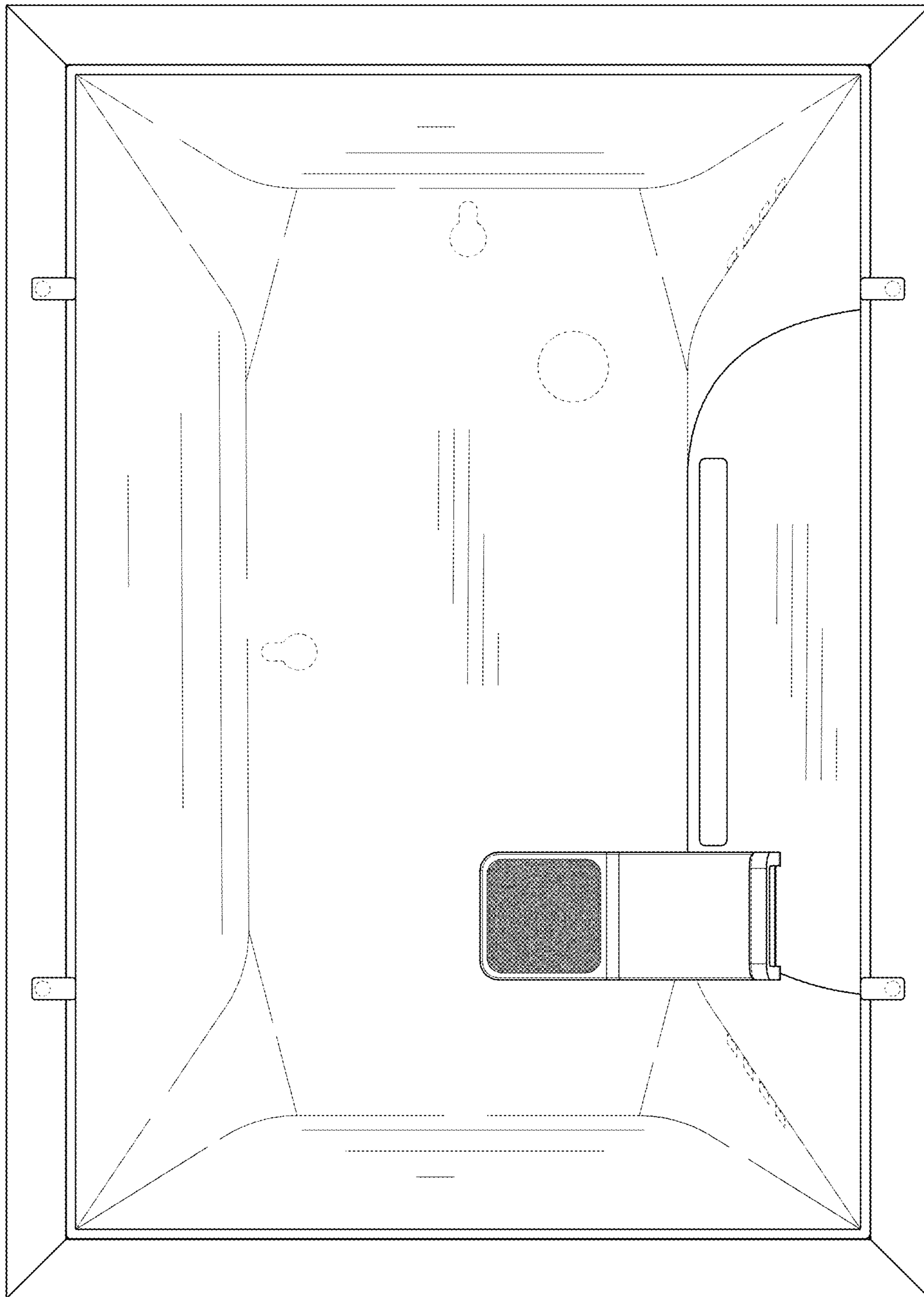


FIG. 4

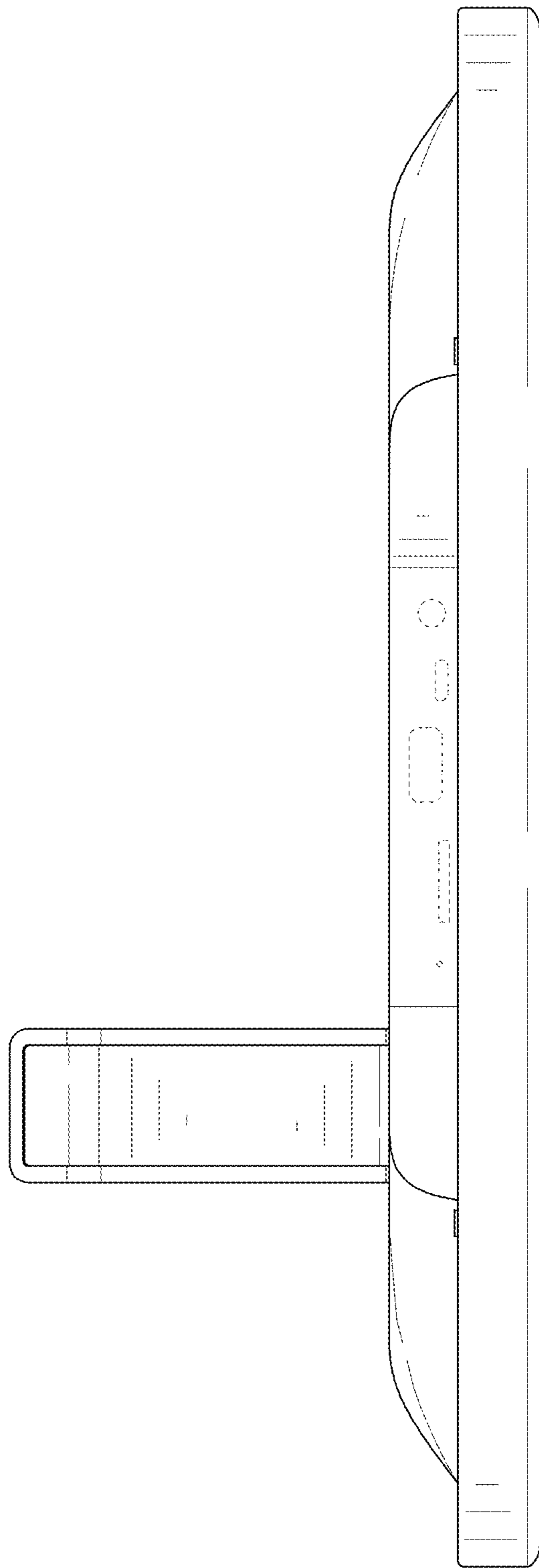


FIG. 5

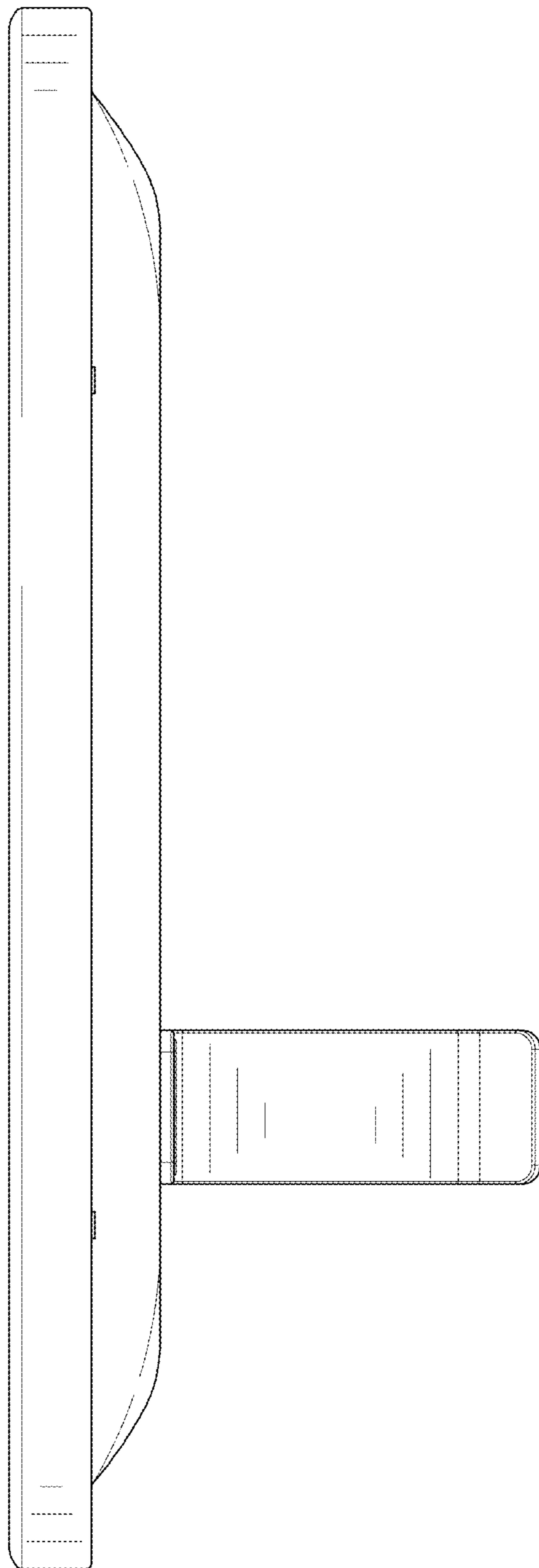


FIG. 6

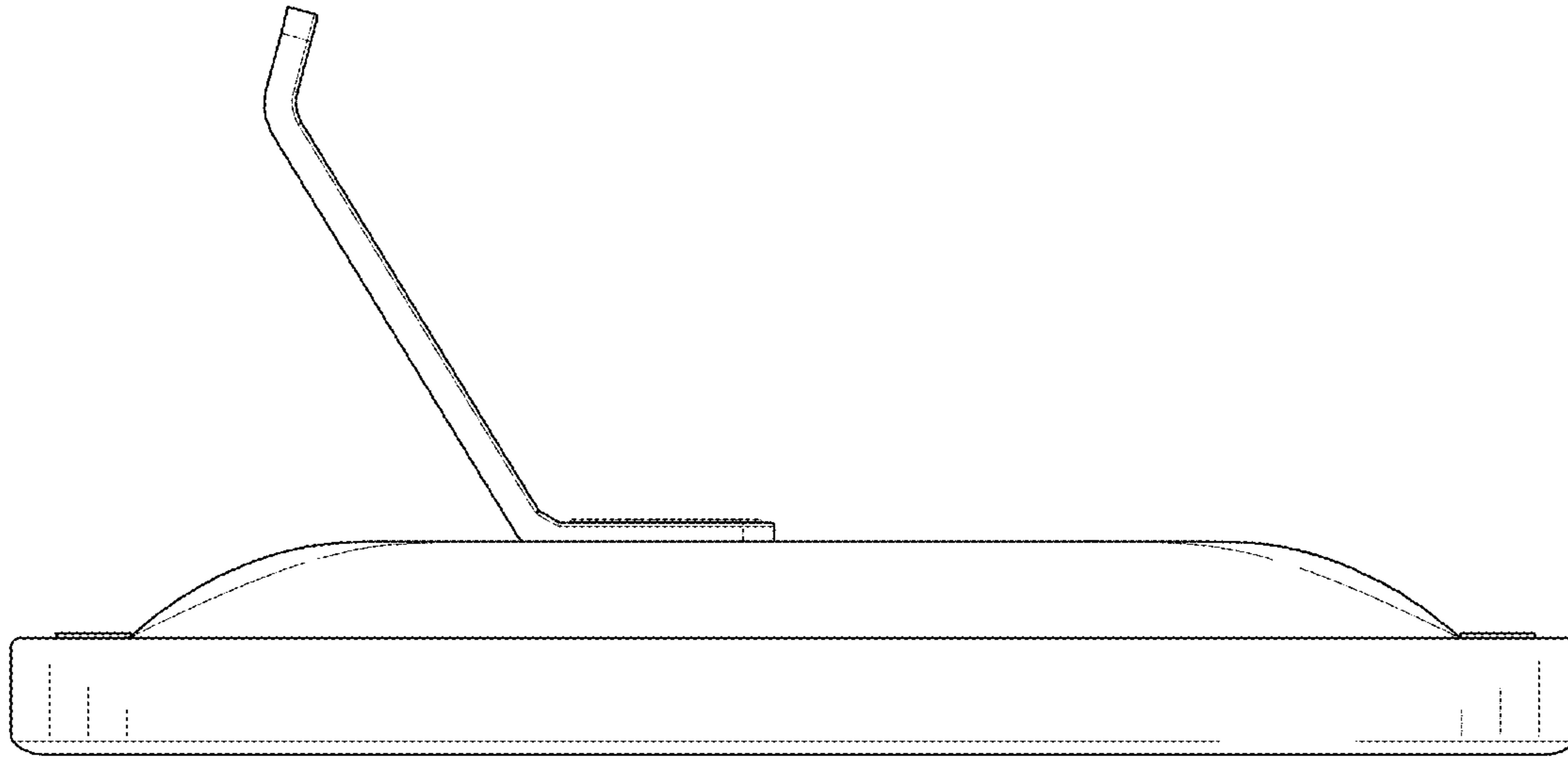


FIG. 7

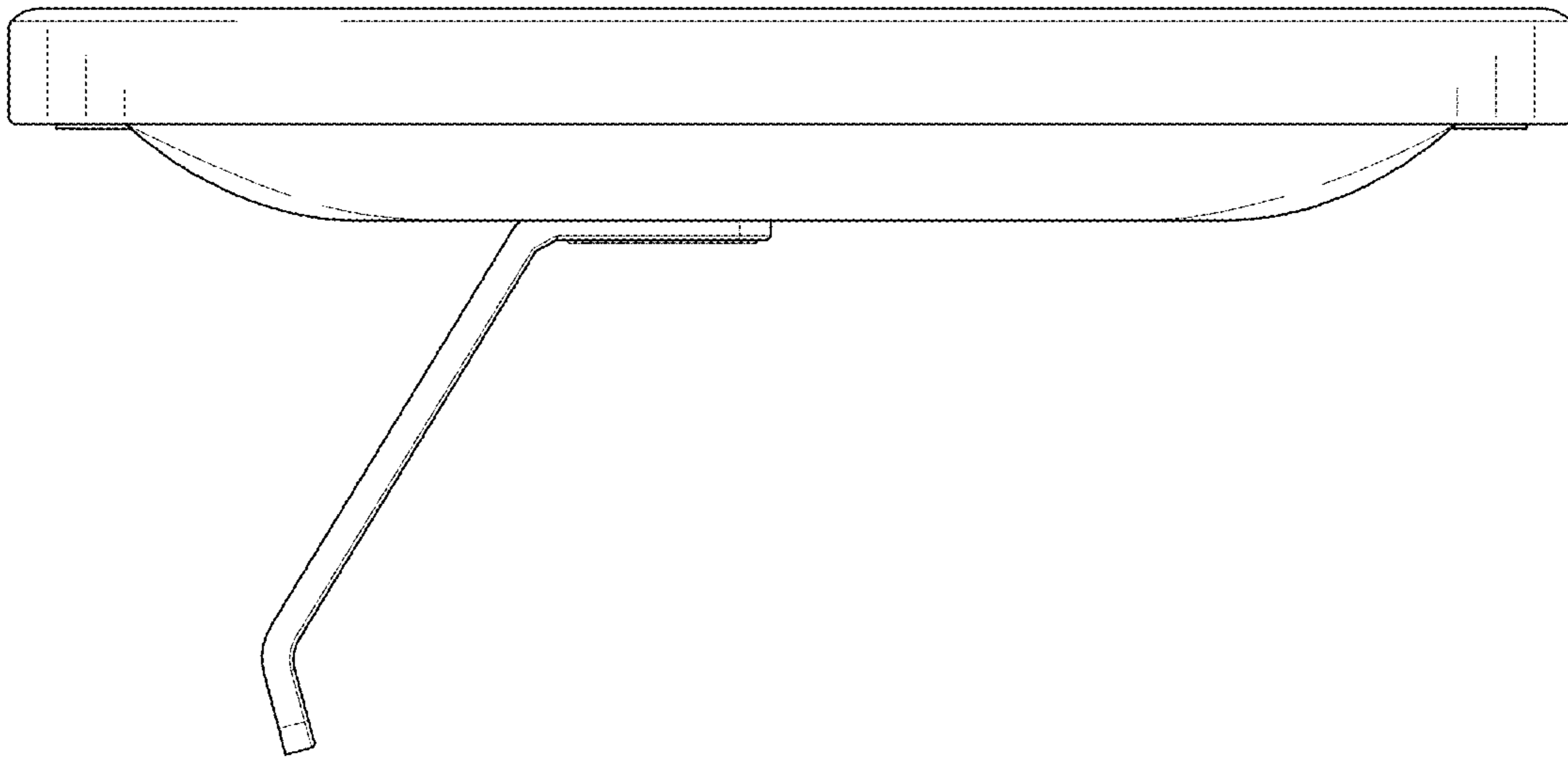


FIG. 8

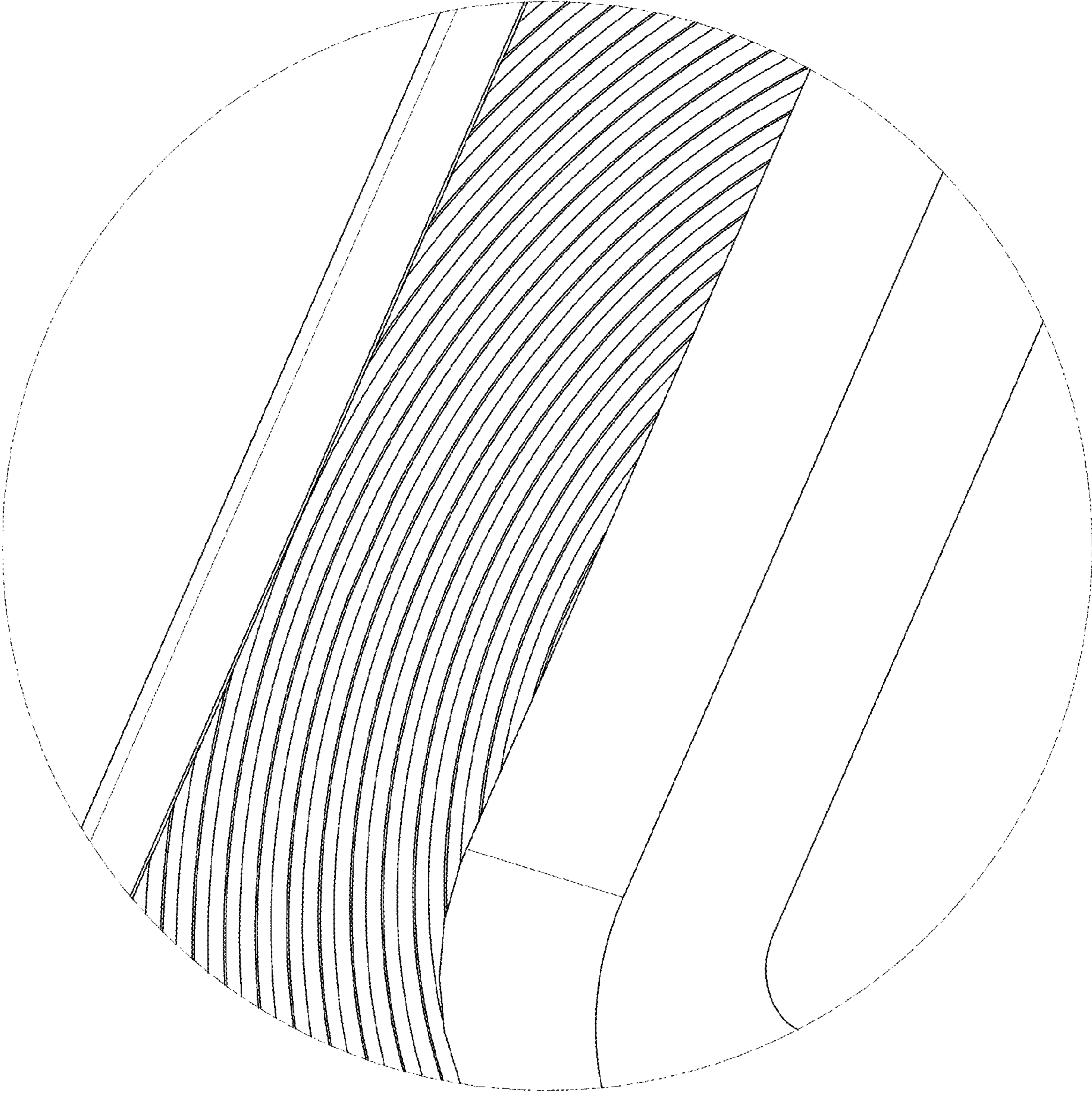


FIG. 9