



US00D971617S

(12) **United States Design Patent** (10) **Patent No.:** **US D971,617 S**
Li (45) **Date of Patent:** **** Dec. 6, 2022**

(54) **POT BRUSH HANDLE**
(71) Applicant: **Guoxiao Li, Dongyang (CN)**
(72) Inventor: **Guoxiao Li, Dongyang (CN)**
(**) Term: **15 Years**
(21) Appl. No.: **29/824,636**
(22) Filed: **Jan. 26, 2022**

(30) **Foreign Application Priority Data**

Jan. 19, 2022 (CN) 202230036368.9

(51) **LOC (13) Cl.** **04-99**
(52) **U.S. Cl.**
USPC **D4/138**
(58) **Field of Classification Search**
USPC D4/104, 108, 109, 111, 113, 116, 127,
D4/138, 199; D6/323; D7/393, 396;
D8/300, 310, 367, 372
CPC A46B 9/02; A46B 9/021; A46B 2200/1046
See application file for complete search history.

(56) **References Cited**

U.S. PATENT DOCUMENTS

2,043,031 A * 6/1936 Bradford, Jr. A47L 13/022
15/229.11
D307,646 S * 5/1990 Kingsford D28/76
D350,914 S * 9/1994 Gershenson D8/342
D357,576 S * 4/1995 Steinweis D8/367
D372,129 S * 7/1996 Chesnut D4/138
D379,124 S * 5/1997 Bantly D4/138
D406,019 S * 2/1999 La Gro D27/196
D429,144 S * 8/2000 Papp D8/372
D451,339 S * 12/2001 Munari D7/393
D469,167 S * 1/2003 Eastman D4/127
D521,738 S * 5/2006 Huller D4/127
D535,482 S * 1/2007 Jackson D6/323
D597,740 S * 8/2009 Borovicka D4/138

D609,015 S * 2/2010 Borovicka D4/138
D609,870 S * 2/2010 Hilger D32/40
D663,124 S * 7/2012 Prince D4/138
D744,754 S * 12/2015 Reishus D4/102
D744,760 S * 12/2015 Harrington D4/138
D771,392 S * 11/2016 Harrington D4/138
D771,475 S * 11/2016 Pan D8/367
D789,776 S * 6/2017 Stacey D8/367
D802,307 S * 11/2017 Peterson D4/127
D823,007 S * 7/2018 Nicoline D4/138
D832,520 S * 10/2018 Celia, Jr. D28/63
D833,153 S * 11/2018 Zemel D4/118
D835,420 S * 12/2018 Nicoline D4/138

(Continued)

OTHER PUBLICATIONS

Maple Handle Pot and Pan Brush Union Blend, kaaterskillmarket.com, <https://kaaterskillmarket.com/products/maple-handle-pot-and-pan-brush> (Year: 2022).*

(Continued)

Primary Examiner — Steven J Czyz
(74) *Attorney, Agent, or Firm* — ScienBiziP, P.C.

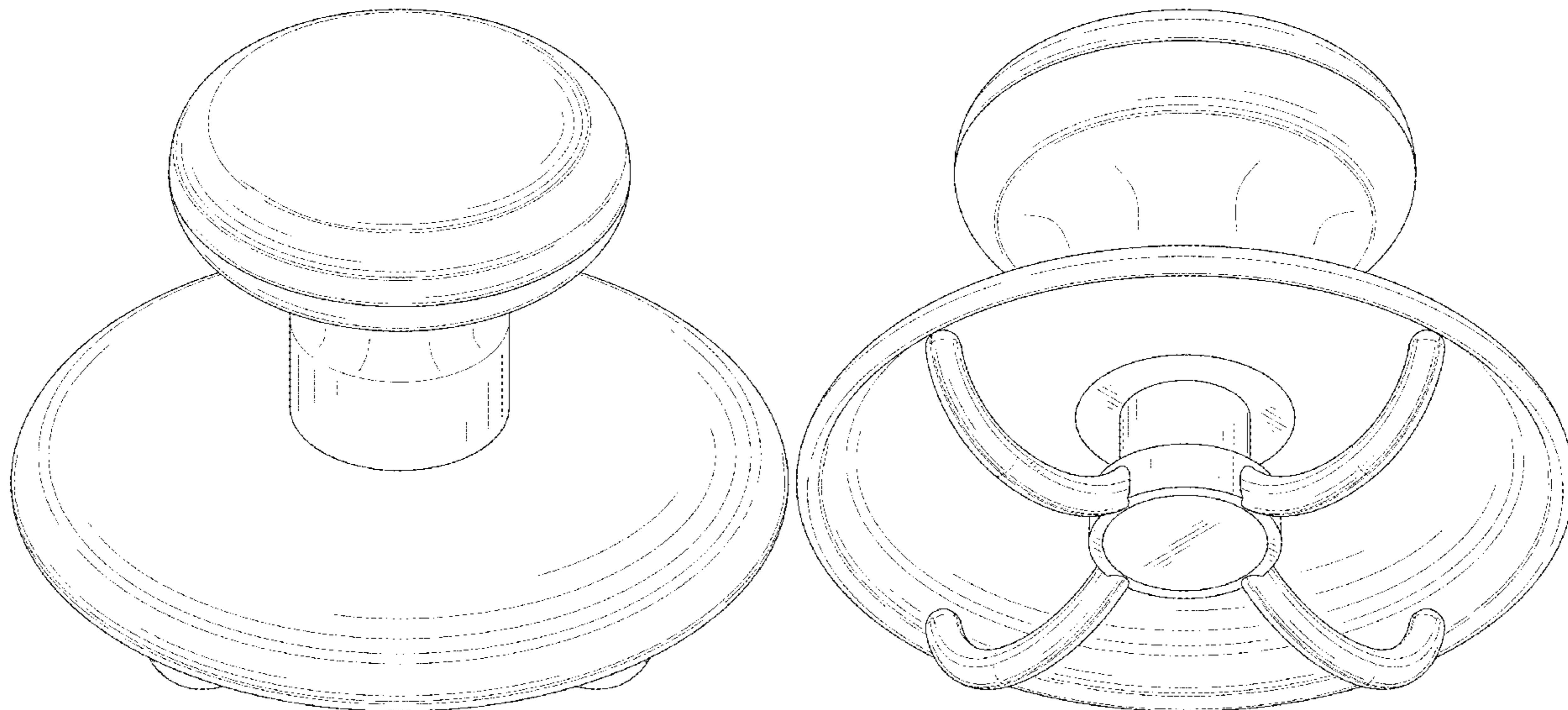
(57) **CLAIM**

The ornamental design for a pot brush handle, as shown and described.

DESCRIPTION

FIG. 1 is a front, right and top perspective view of a pot brush handle, showing my design.
FIG. 2 is a rear, left and bottom perspective view thereof.
FIG. 3 is a front elevation view thereof.
FIG. 4 is a rear elevation view thereof.
FIG. 5 is a left side elevation view thereof.
FIG. 6 is a right-side elevation view thereof.
FIG. 7 is a top plan view thereof; and,
FIG. 8 is a bottom plan view thereof.

1 Claim, 8 Drawing Sheets



(56)

References Cited

U.S. PATENT DOCUMENTS

D847,620 S * 5/2019 Umholtz D8/372
D850,798 S * 6/2019 Lin D28/7
D852,028 S * 6/2019 Kirby D8/372
D956,429 S * 7/2022 Murphy D4/127
D965,304 S * 10/2022 Schreiber D28/63
D966,794 S * 10/2022 Cornu D7/393
2012/0204369 A1 * 8/2012 Watanabe A46B 5/0025
15/110

OTHER PUBLICATIONS

Dish Brush, nudgeecostore.com, <https://www.nudgeecostore.com/products/pot-brush> (Year: 2022).*

* cited by examiner

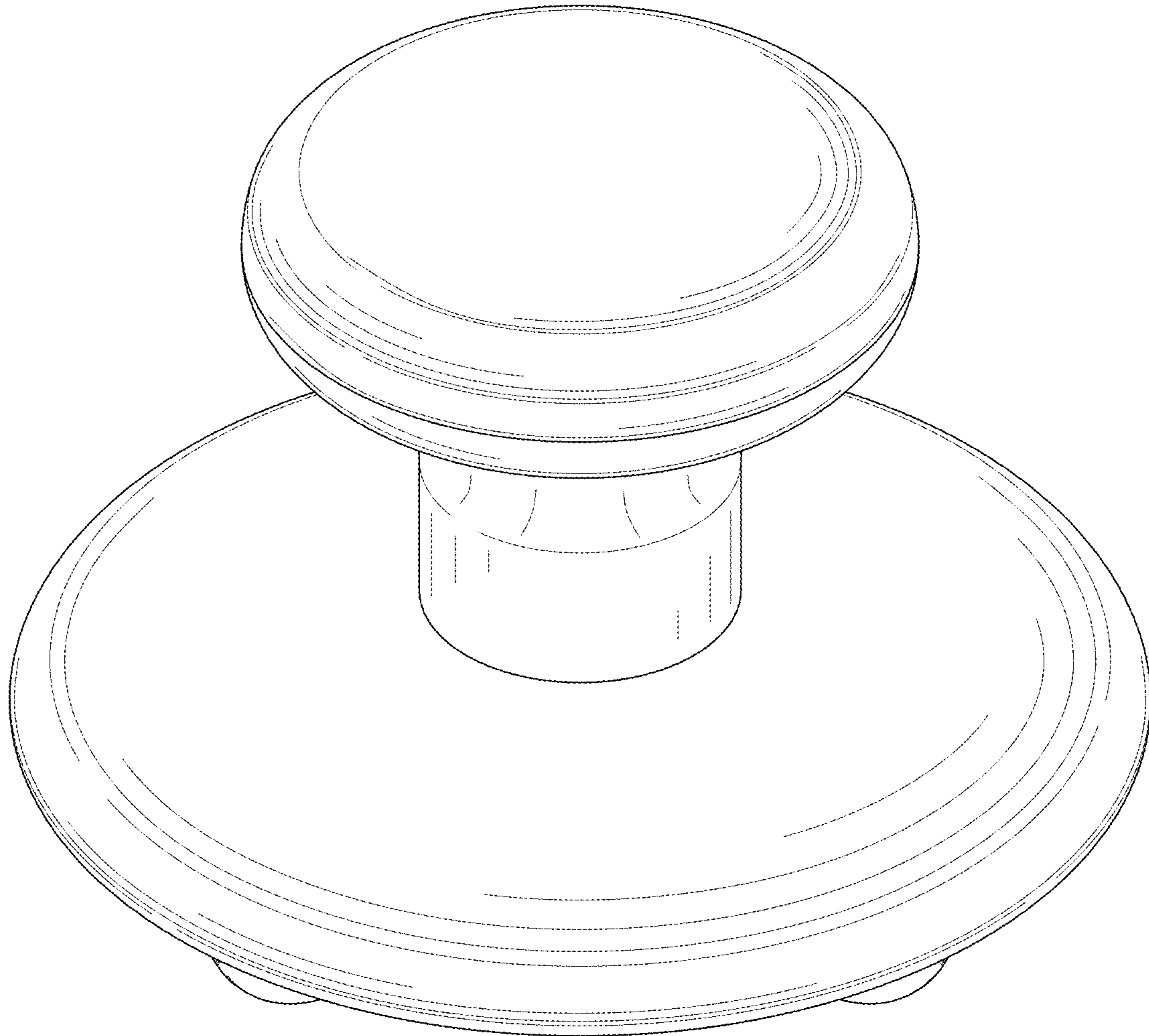


FIG. 1

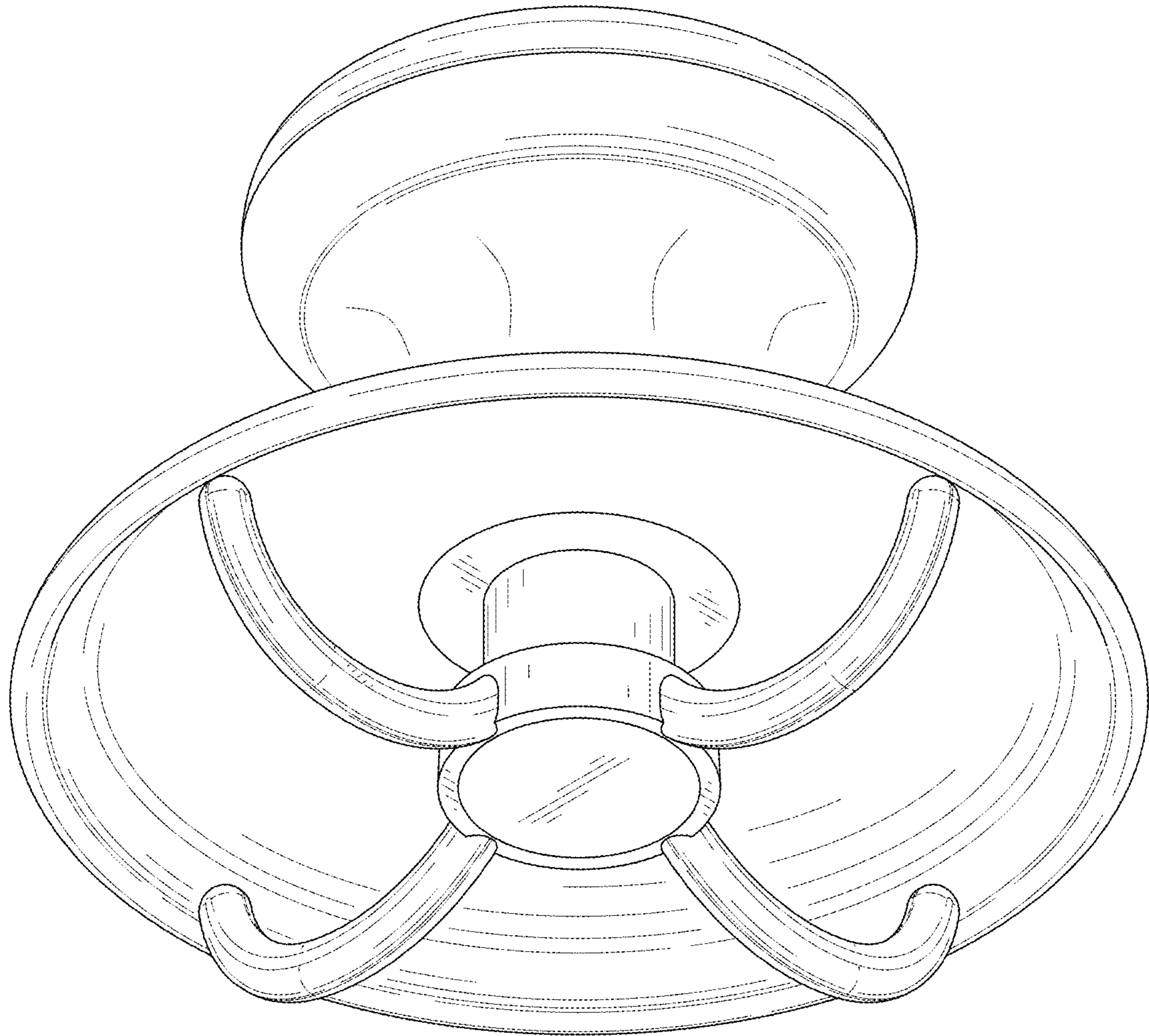


FIG. 2

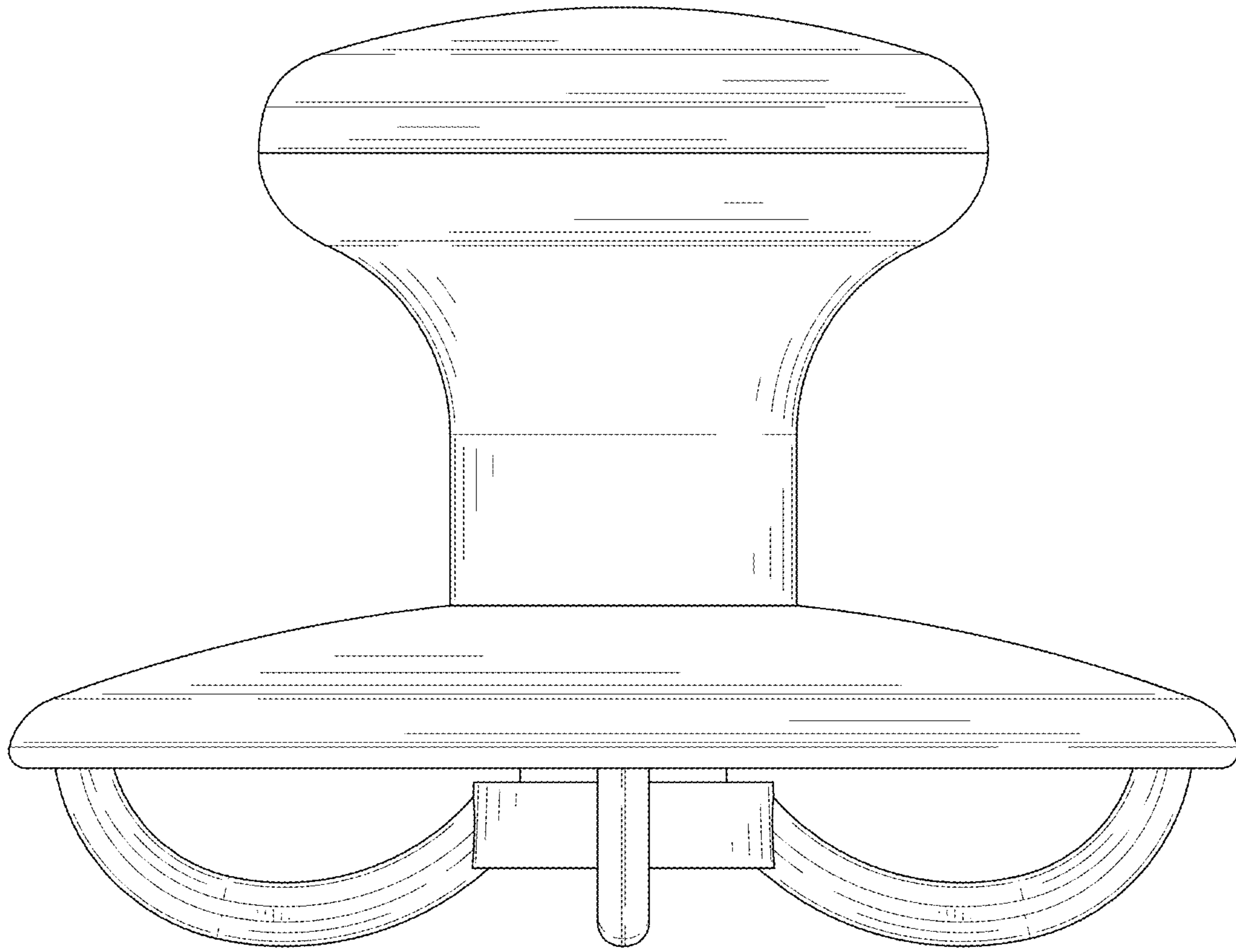


FIG. 3

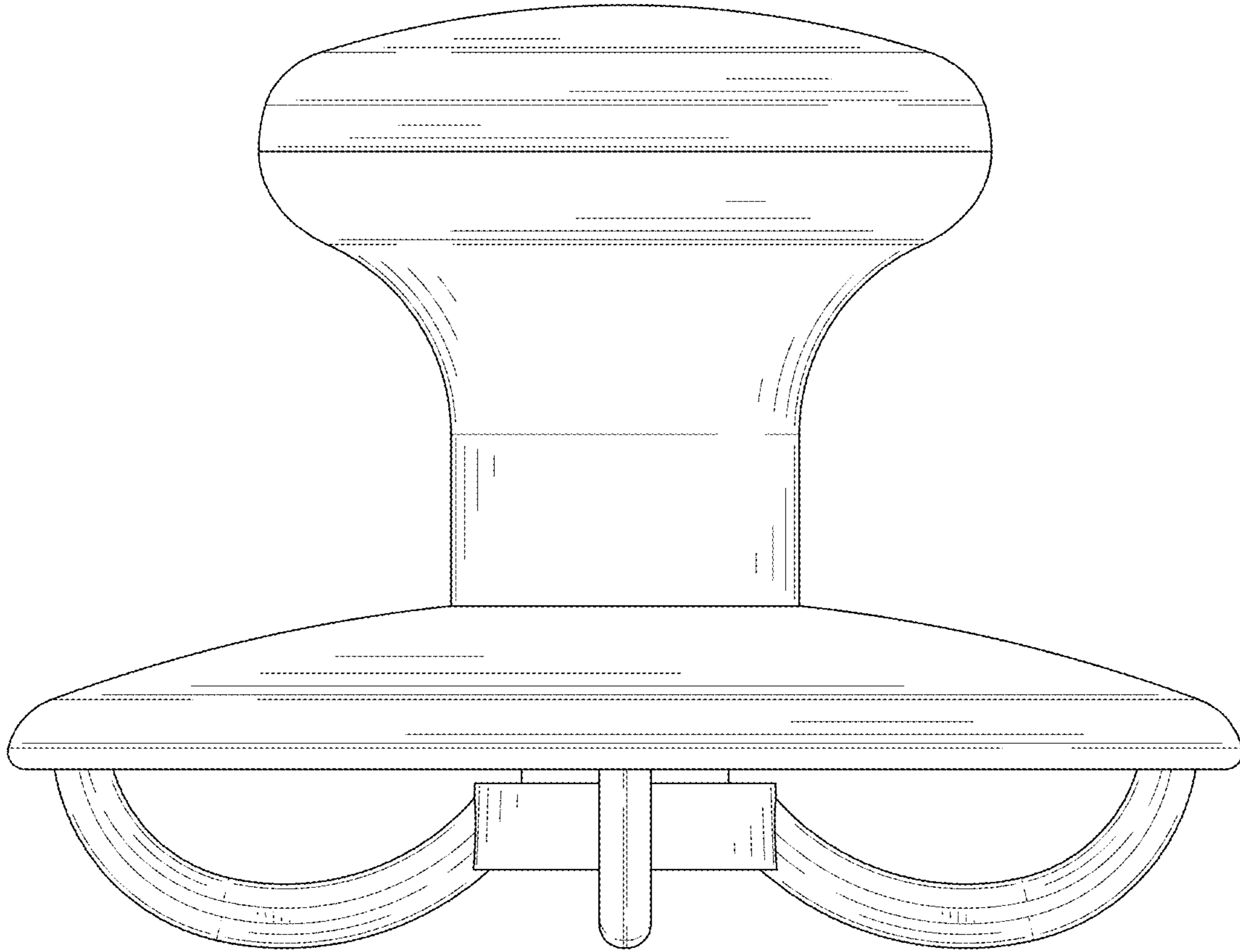


FIG. 4

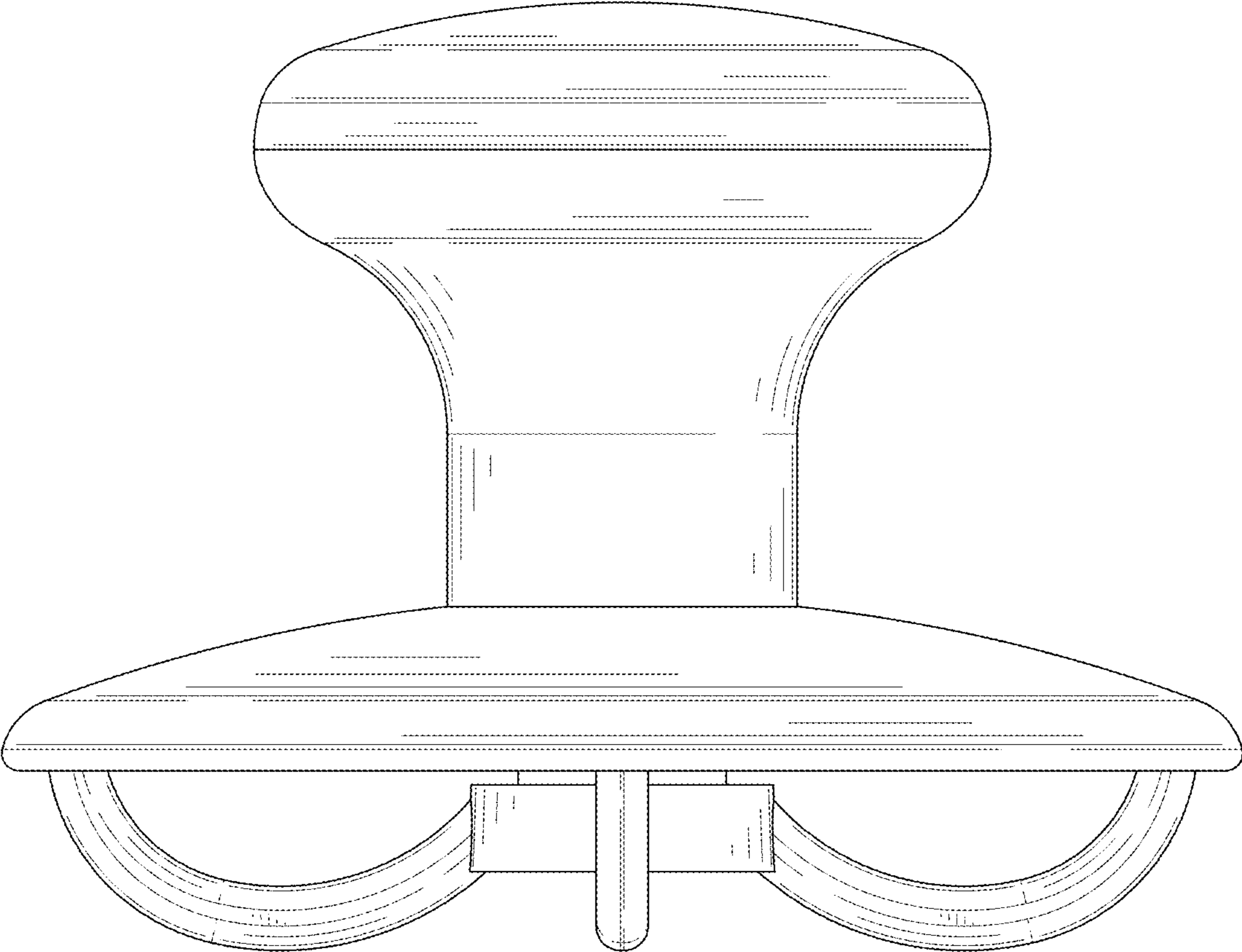


FIG. 5

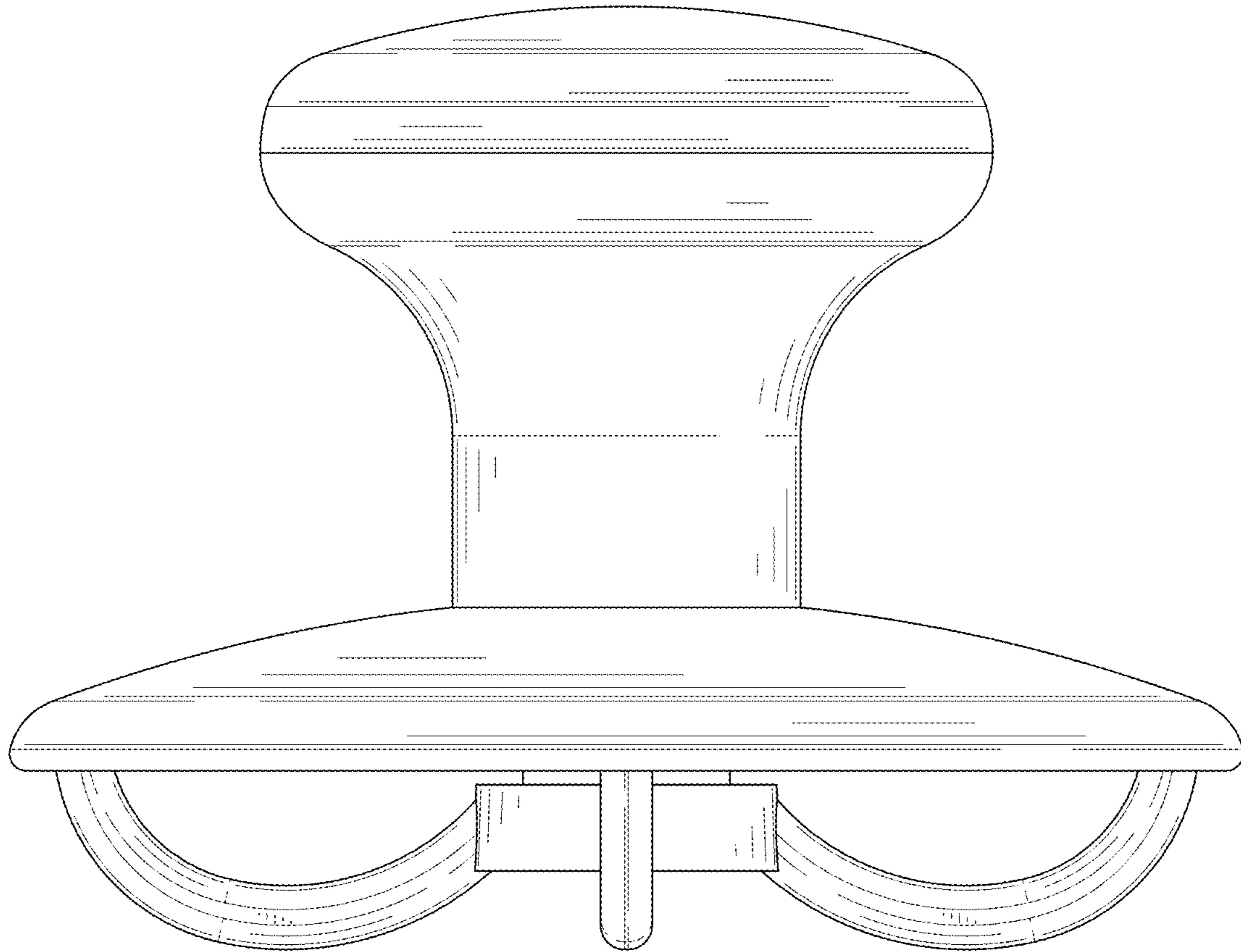


FIG. 6

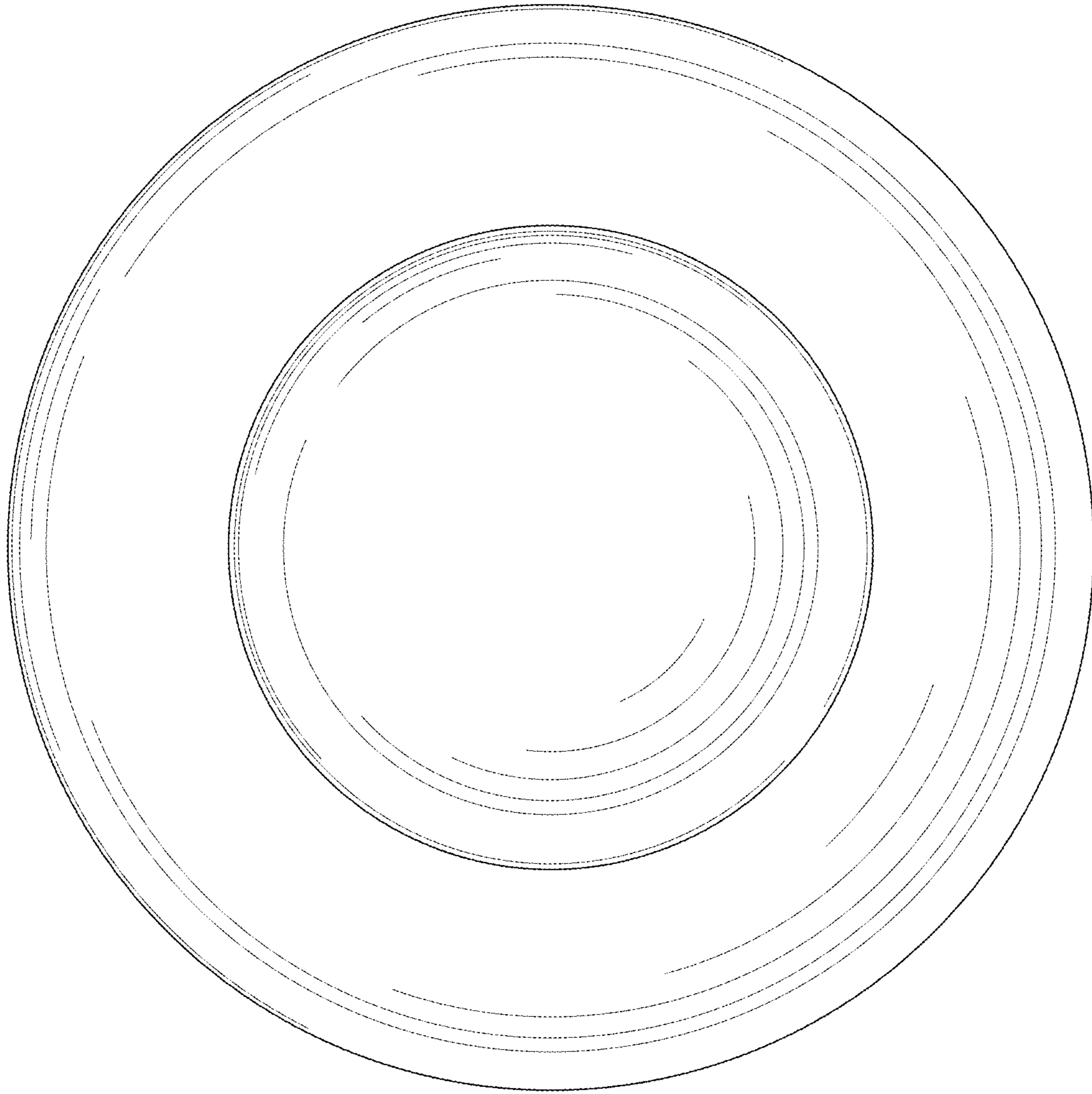


FIG. 7

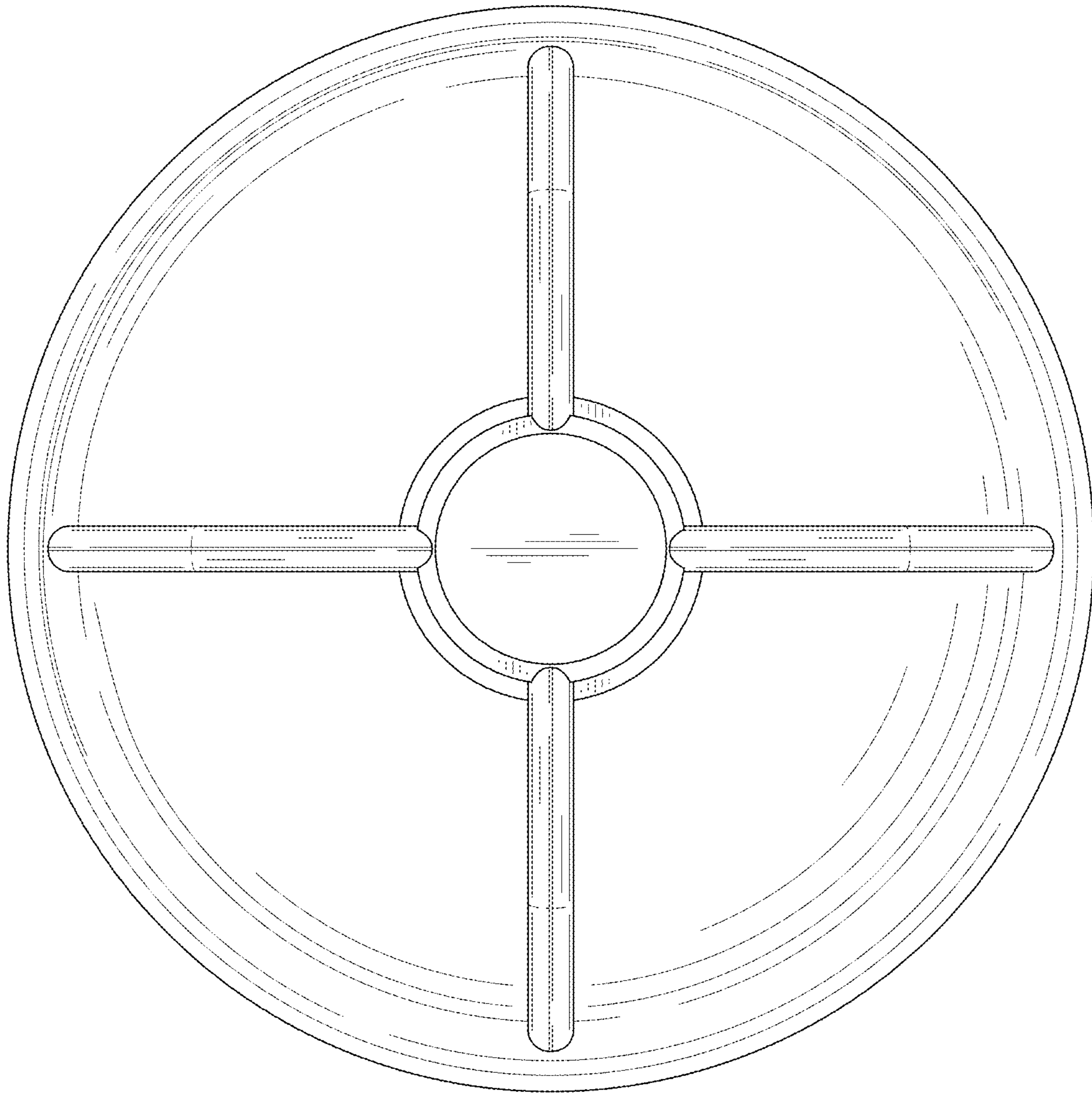


FIG. 8