



US00D971616S

(12) **United States Design Patent** (10) **Patent No.:** **US D971,616 S**
Rennette (45) **Date of Patent:** **** Dec. 6, 2022**

- (54) **VENTED HAIR BRUSH**
- (71) Applicant: **Olivia Garden International Inc.,**
Walnut Creek, CA (US)
- (72) Inventor: **Jean Rennette,** Walnut Creek, CA (US)
- (73) Assignee: **Olivia Garden International, Inc.,**
Walnut Creek, CA (US)
- (**) Term: **15 Years**
- (21) Appl. No.: **29/780,133**
- (22) Filed: **Apr. 22, 2021**

Related U.S. Application Data

- (60) Division of application No. 29/731,139, filed on Apr. 13, 2020, now Pat. No. Des. 919,976, which is a continuation-in-part of application No. 29/698,095, filed on Jul. 15, 2019, now Pat. No. Des. 911,717.
- (51) **LOC (13) Cl.** **04-02**
- (52) **U.S. Cl.**
USPC **D4/128**
- (58) **Field of Classification Search**
USPC D4/121, 127, 135, 138; 15/106, 159.1,
15/160, 176.1, 184, 190-194; 132/289,
132/294, 298, 313, 317, 320; 401/123,
401/141, 175, 281
CPC A46B 7/026; A46B 5/005; A46B 17/04;
A46B 2200/1046
See application file for complete search history.

References Cited

U.S. PATENT DOCUMENTS

323,005 A	6/1906	Thompson
832,591 A	10/1906	Brown et al.
846,286 A	3/1907	Darlington
D555,907 S	11/2007	Rennette
D573,755 S	7/2008	Rennette
D621,163 S	8/2010	Rennette

(Continued)

Primary Examiner — Austin Murphy
(74) *Attorney, Agent, or Firm* — Volk & McElroy, LLP;
Michael D. Volk, Jr.

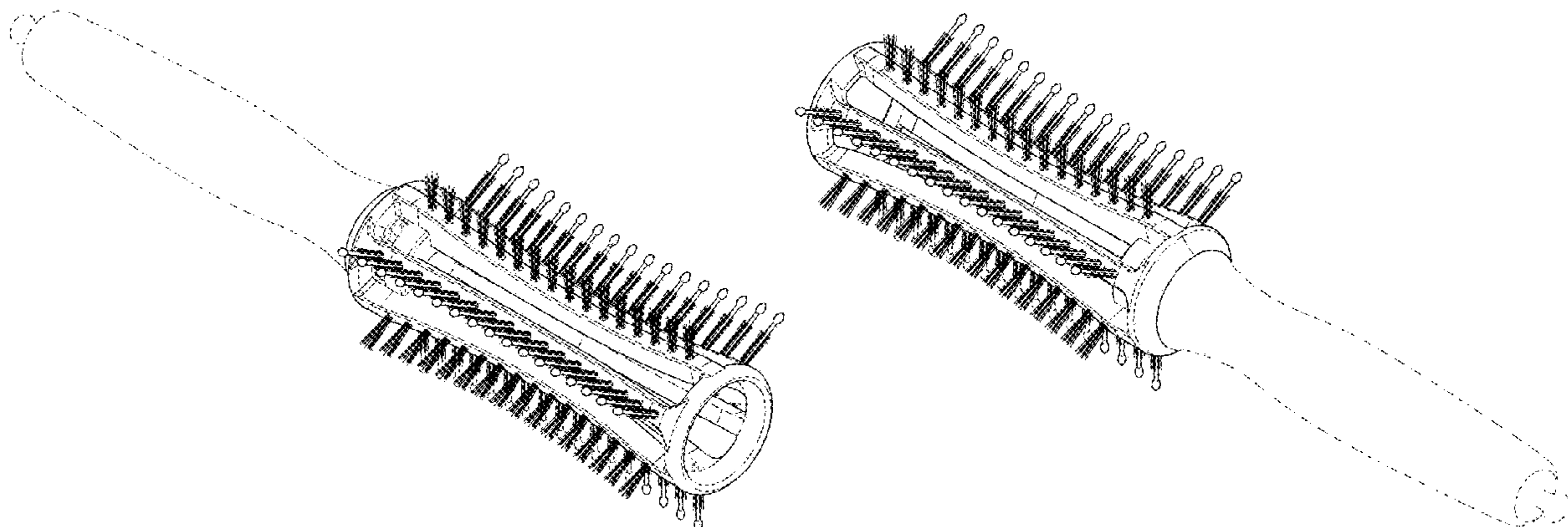
(57) **CLAIM**

The ornamental design for a vented hair brush, as shown.

DESCRIPTION

FIG. 1 is a front perspective view of a vented hair brush showing my new design.
FIG. 2 is a rear perspective view thereof;
FIG. 3 is a front view thereof. The rear view is the same as the front view;
FIG. 4 is a right side view thereof. The left side view is the same as the right side;
FIG. 5 is a bottom view thereof;
FIG. 6 is a top view thereof;
FIG. 7 is a front perspective view of a vented hair brush showing my new Design;
FIG. 8 is a rear perspective view thereof;
FIG. 9 is a front view thereof. The rear view is the same as the front view;
FIG. 10 is a right side view thereof. The left side view is the same as the right side;
FIG. 11 is a bottom view thereof;
FIG. 12 is a top view thereof;
FIG. 13 is a front perspective view of a vented hair brush showing my new Design;
FIG. 14 is a rear perspective view thereof;
FIG. 15 is a front view thereof. The rear view is the same as the front view;
FIG. 16 is a right side view thereof. The left side view is the same as the right side;
FIG. 17 is a bottom view thereof; and,
FIG. 18 is a top view thereof.
The broken lines in the drawings depict features that form no part of the claimed design.

1 Claim, 15 Drawing Sheets



(56)

References Cited

U.S. PATENT DOCUMENTS

D624,321 S 9/2010 Rennette
 D627,568 S 11/2010 Rennette
 D644,440 S 9/2011 Rennette
 D646,488 S 10/2011 Rennette
 D648,540 S 11/2011 Rennette
 D684,373 S 6/2013 Rennette
 D710,114 S 8/2014 Yao
 D720,138 S 12/2014 Schuler
 D730,060 S 5/2015 Rennette
 D730,061 S 5/2015 Rennette
 D739,660 S 9/2015 Rennette
 D749,326 S 2/2016 Rennette
 D759,477 S 6/2016 Rennette
 D762,069 S 7/2016 Rennette
 D766,588 S 9/2016 Rennette
 D775,839 S * 1/2017 Rennette D4/138
 D776,940 S * 1/2017 Park D4/138
 D782,829 S 4/2017 Park
 D787,834 S * 5/2017 Cheung D4/128
 D792,711 S 7/2017 Hou
 D794,339 S * 8/2017 Morton D4/138
 D798,605 S 10/2017 Funches
 D798,607 S 10/2017 Park
 D801,701 S 11/2017 Rennette
 D801,702 S 11/2017 Rennette
 D807,646 S 1/2018 Rennette
 D823,004 S * 7/2018 Kuo D4/128
 D823,005 S 7/2018 Kuo
 10,028,574 B2 7/2018 Rennette
 D832,591 S * 11/2018 Kuo D4/128

D846,286 S 4/2019 Treeby et al.
 D846,887 S * 4/2019 Treeby D4/133
 D847,514 S 5/2019 Maman
 D856,683 S 8/2019 Rennette
 D884,360 S * 5/2020 Hou D4/128
 10,750,851 B2 * 8/2020 Mikitovic A46B 1/00
 D895,981 S 9/2020 Rennette et al.
 D899,784 S 10/2020 Hou
 D911,717 S * 3/2021 Rennette D4/128
 D916,468 S * 4/2021 Rennette D4/128
 D919,976 S * 5/2021 Rennette D4/138
 D919,977 S * 5/2021 Rennette D4/138
 D928,514 S * 8/2021 Rennette D4/128
 D943,287 S * 2/2022 Rennette D4/128
 D944,534 S * 3/2022 Hinds D4/128
 2002/0066150 A1 * 6/2002 Bigio A46B 9/023
 D4/133
 2003/0110585 A1 6/2003 Rechelbacher
 2004/0088811 A1 * 5/2004 Bigio A46B 9/023
 15/160
 2007/0261187 A1 11/2007 DiPippo
 2008/0190441 A1 * 8/2008 Vecchiola A45D 24/38
 132/150
 2009/0229624 A1 * 9/2009 Purvis A45D 20/525
 186/59
 2012/0260444 A1 * 10/2012 Fong A46B 9/023
 15/159.1
 2014/0366910 A1 * 12/2014 Habibi A45D 20/525
 15/160
 2015/0182013 A1 * 7/2015 Yao A46B 1/00
 132/120
 2016/0353855 A1 12/2016 Rennette

* cited by examiner

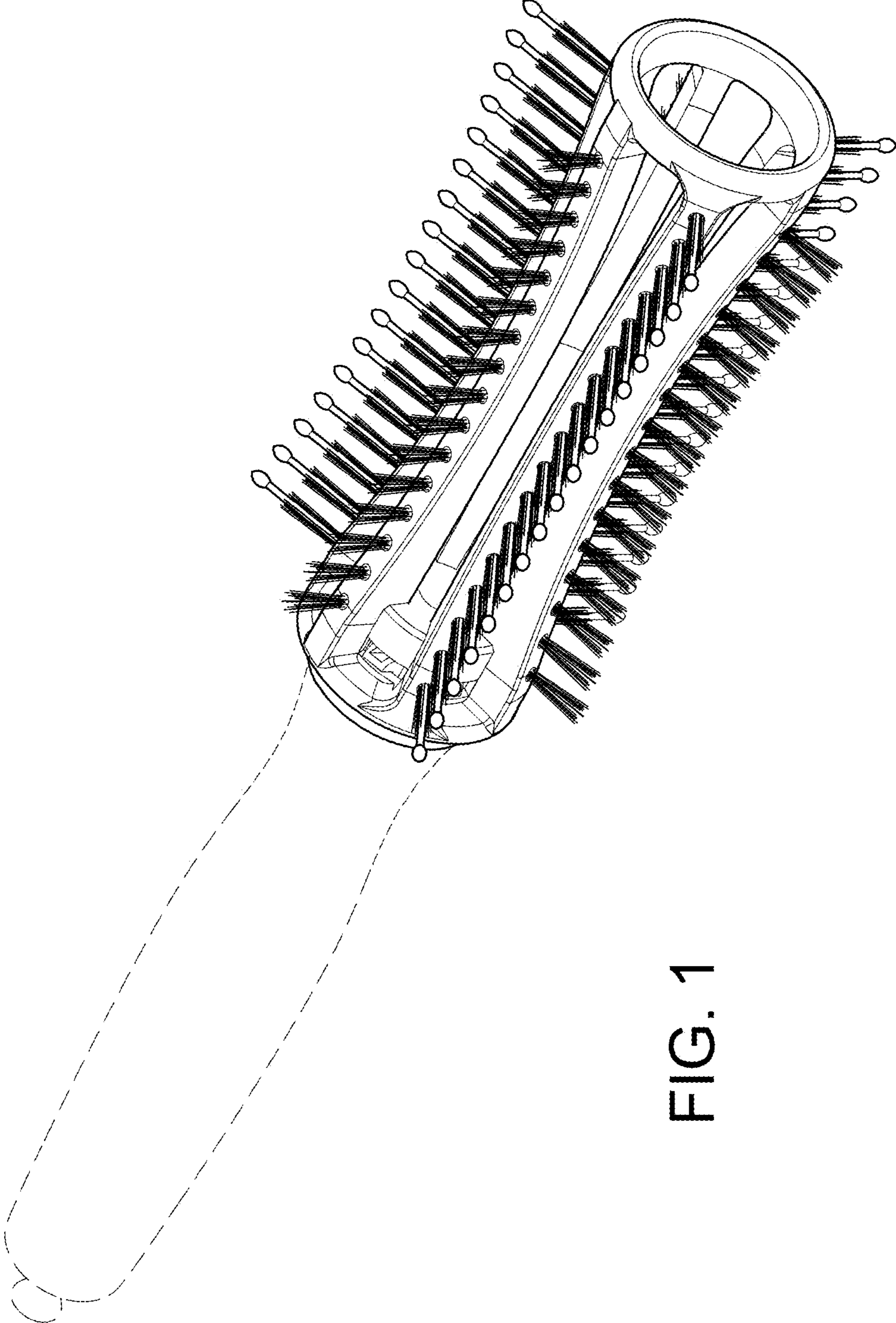


FIG. 1

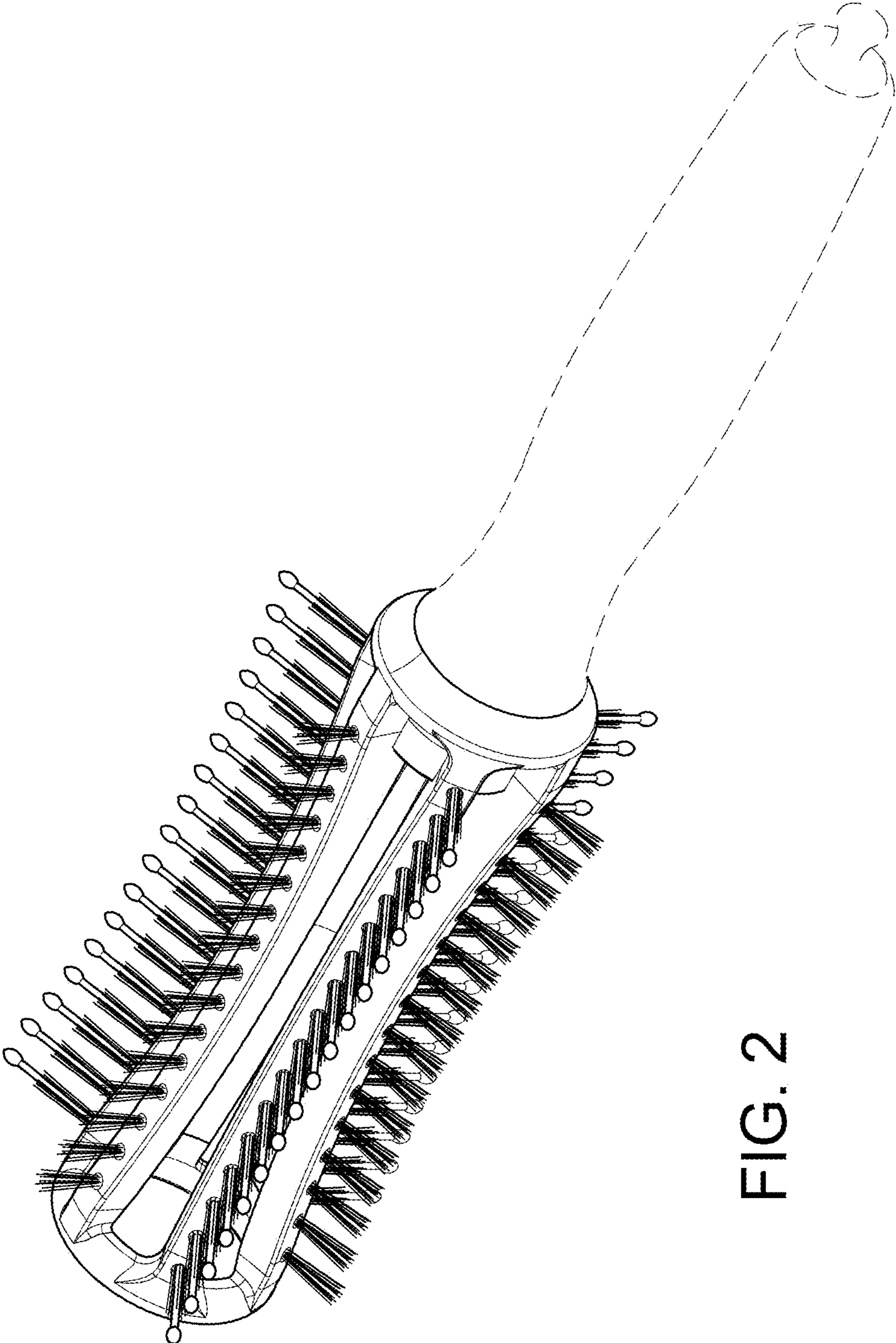


FIG. 2

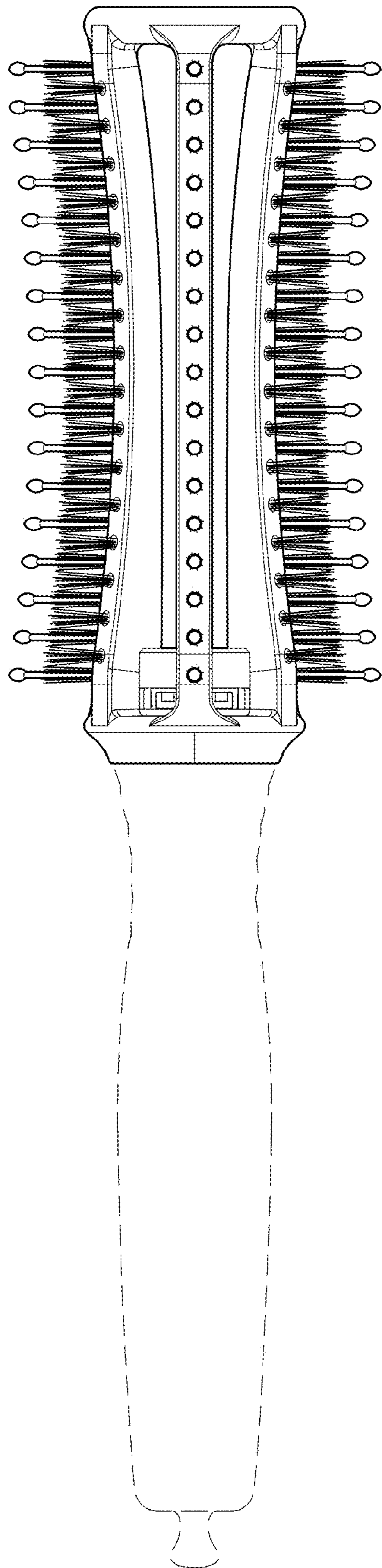


FIG. 3

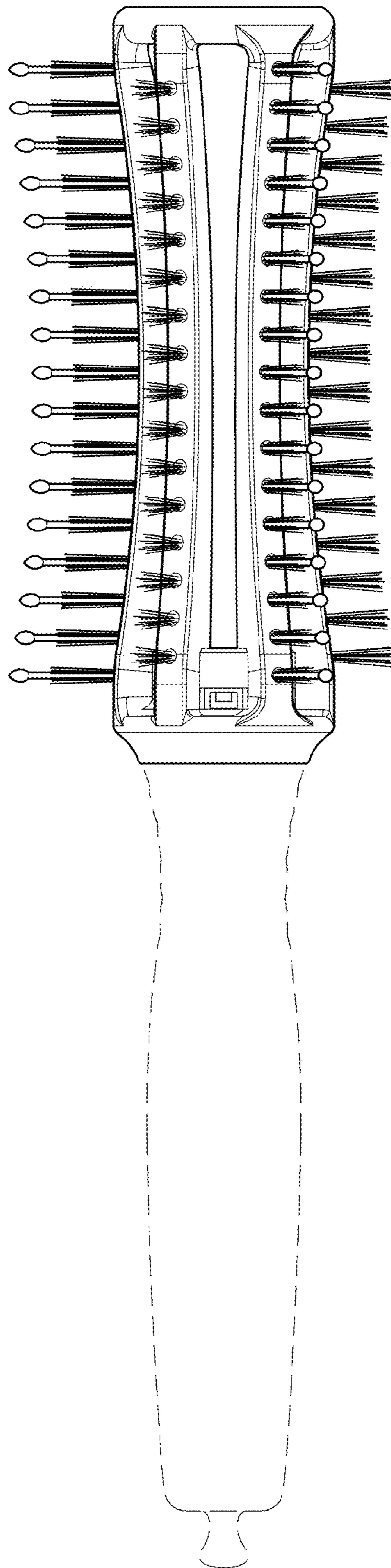


FIG. 4

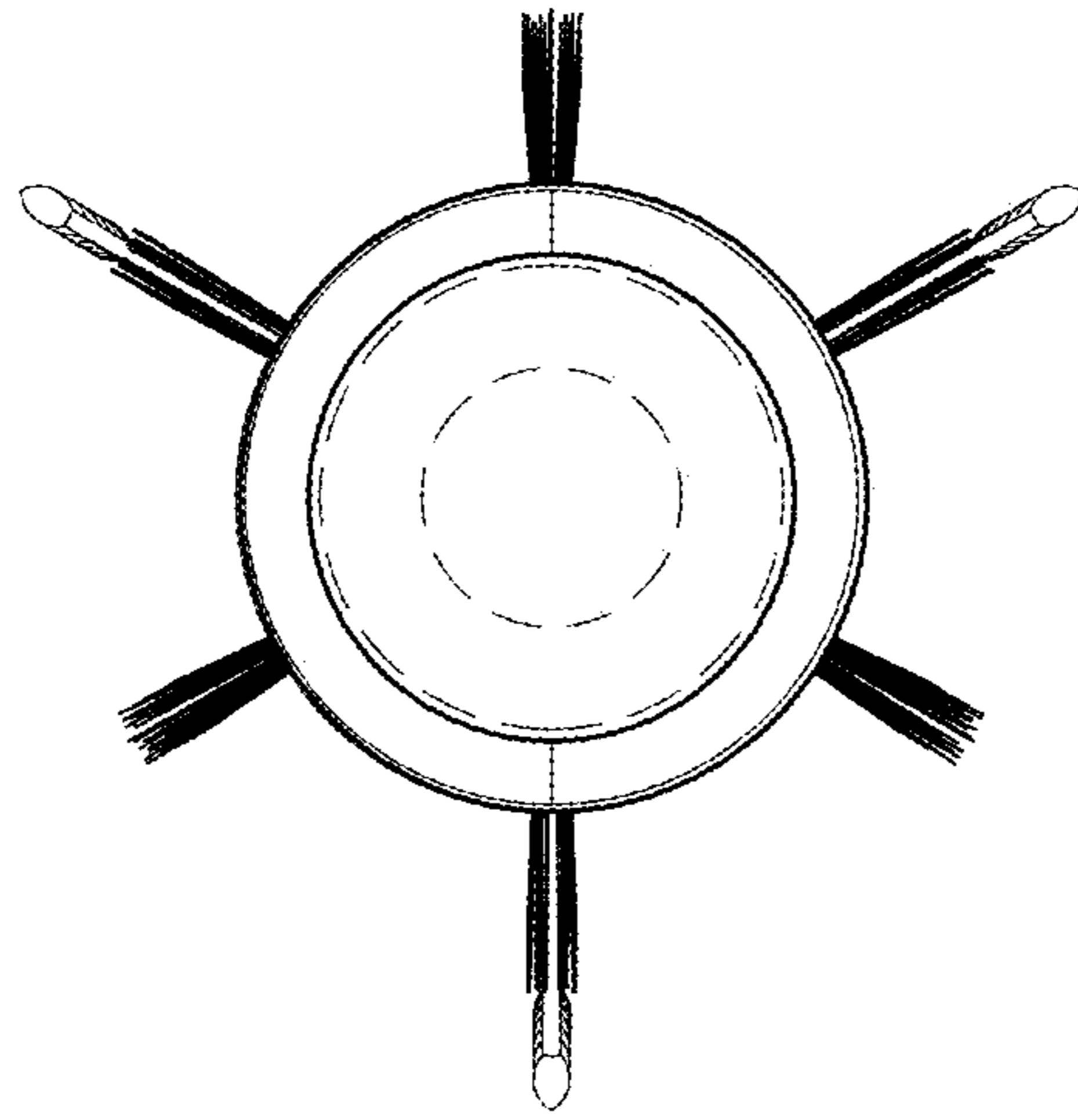


FIG. 5

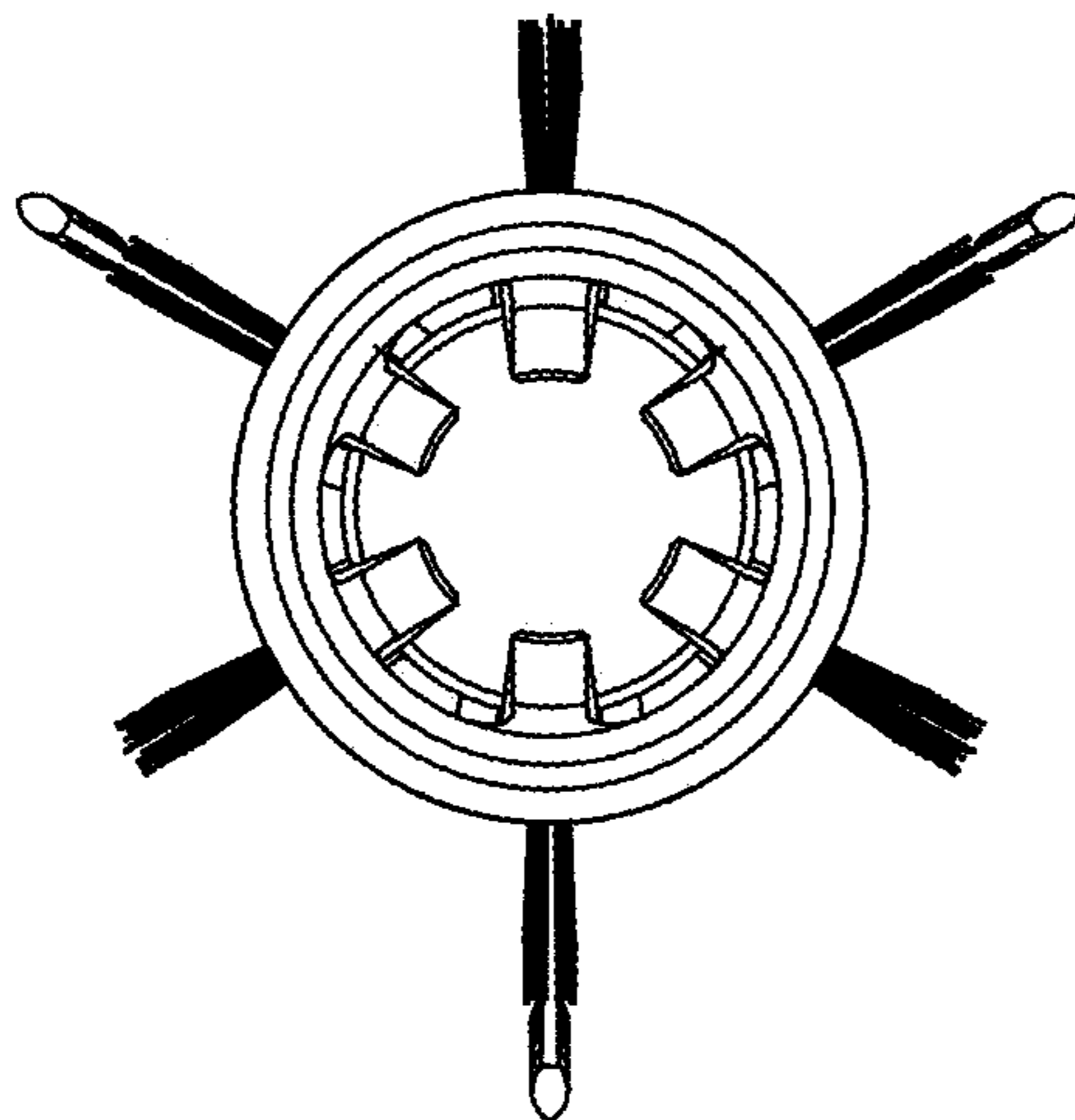


FIG. 6

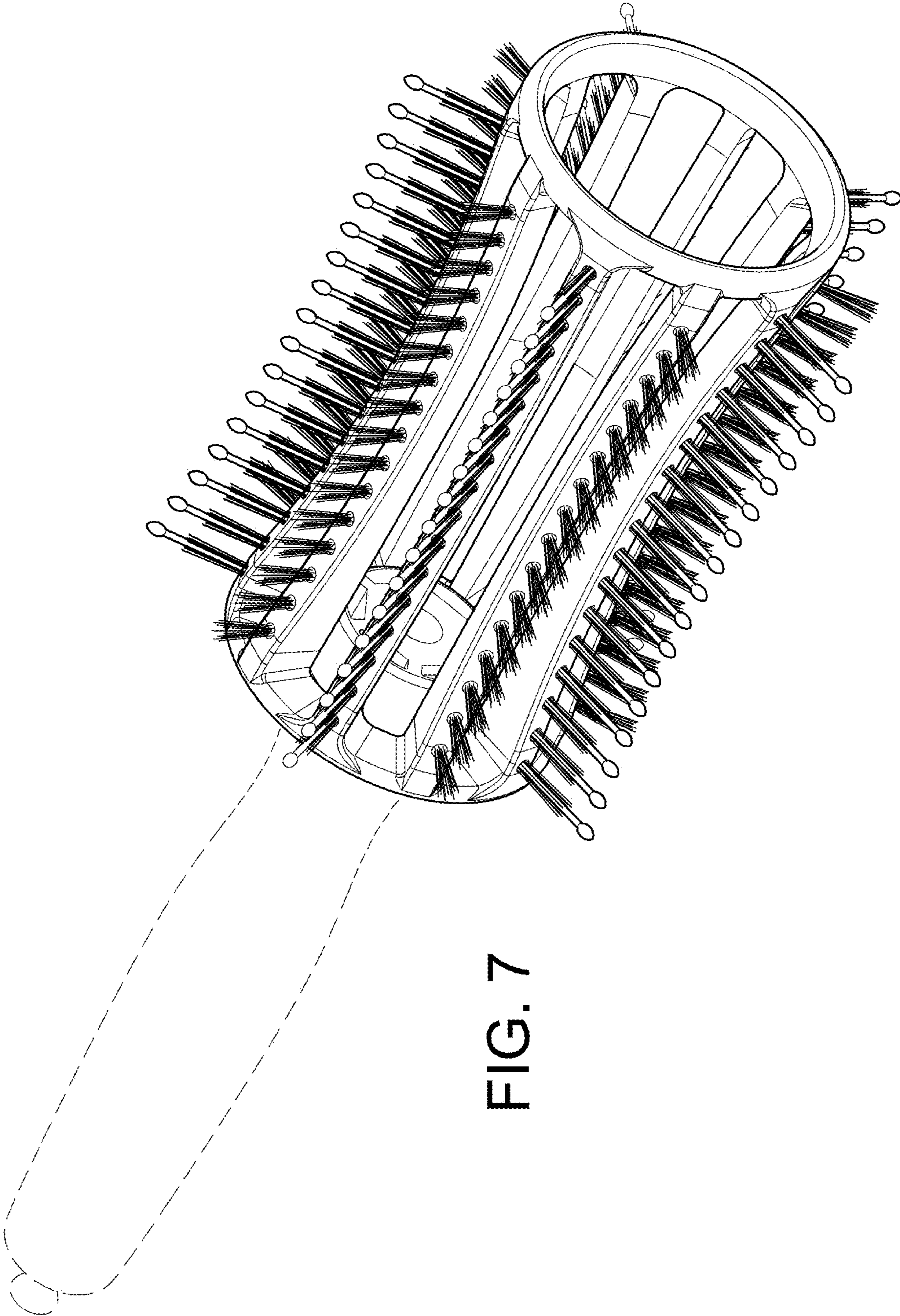


FIG. 7

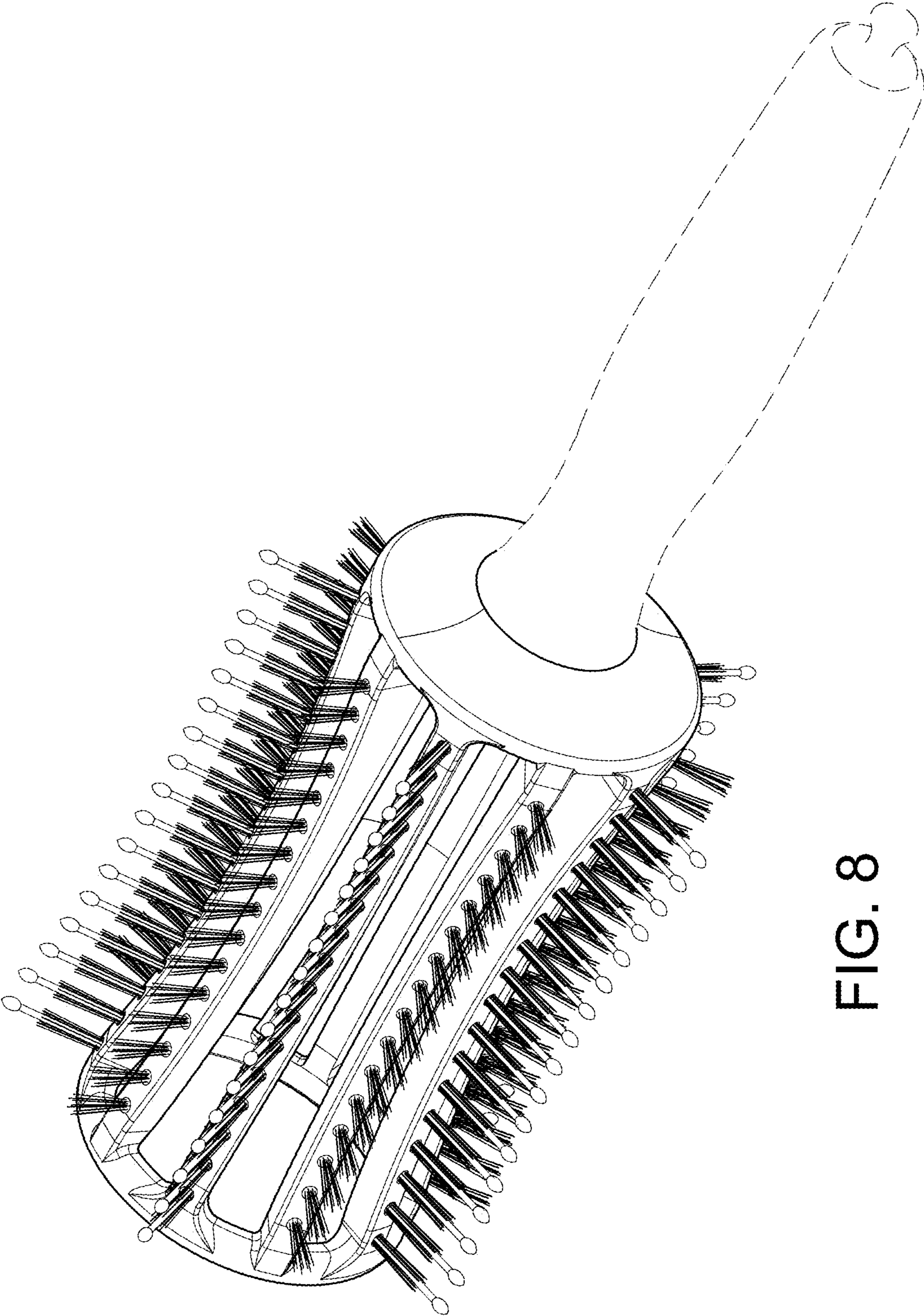


FIG. 8

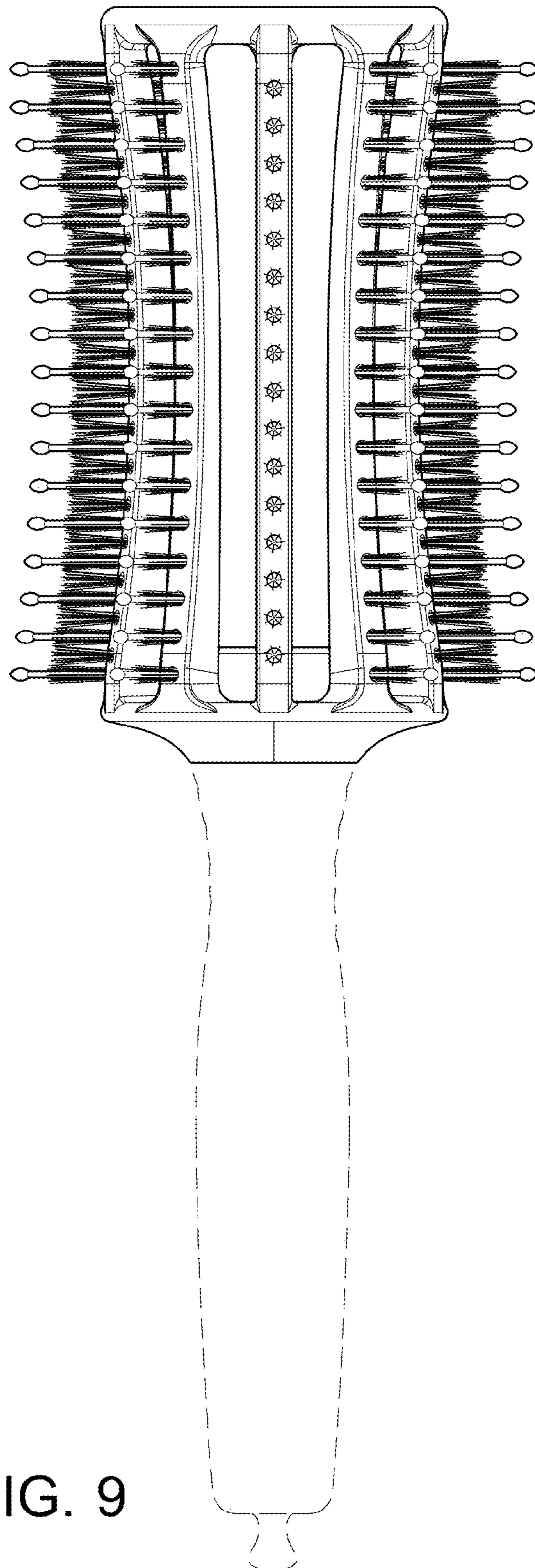


FIG. 9

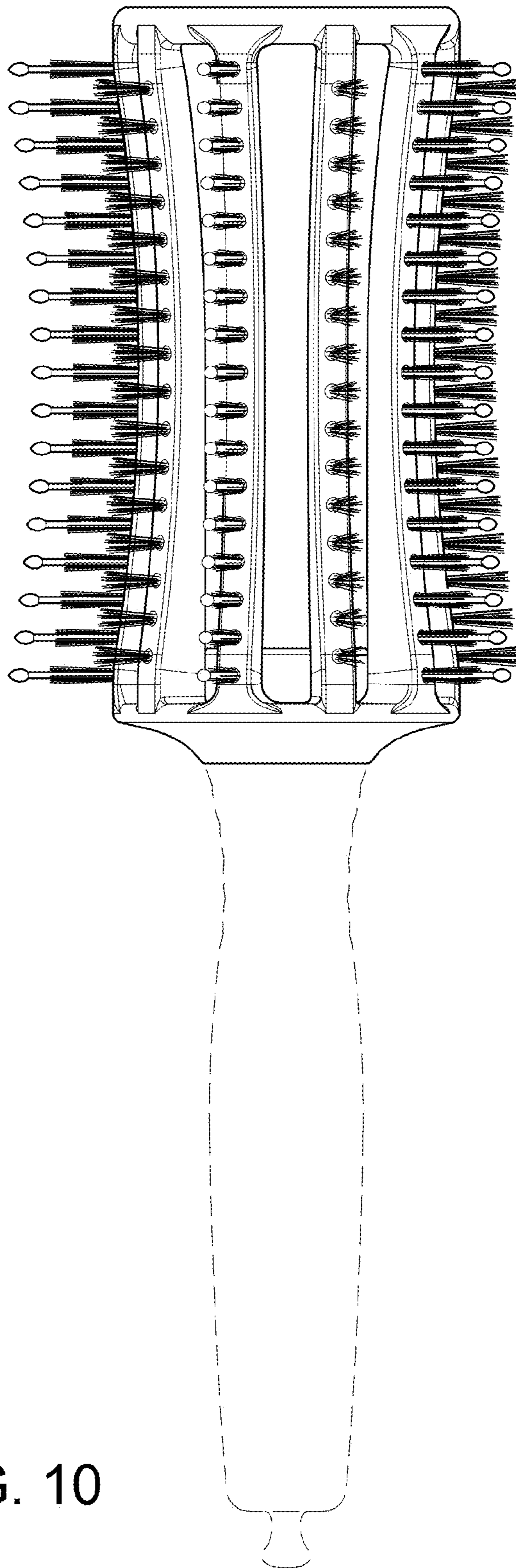


FIG. 10

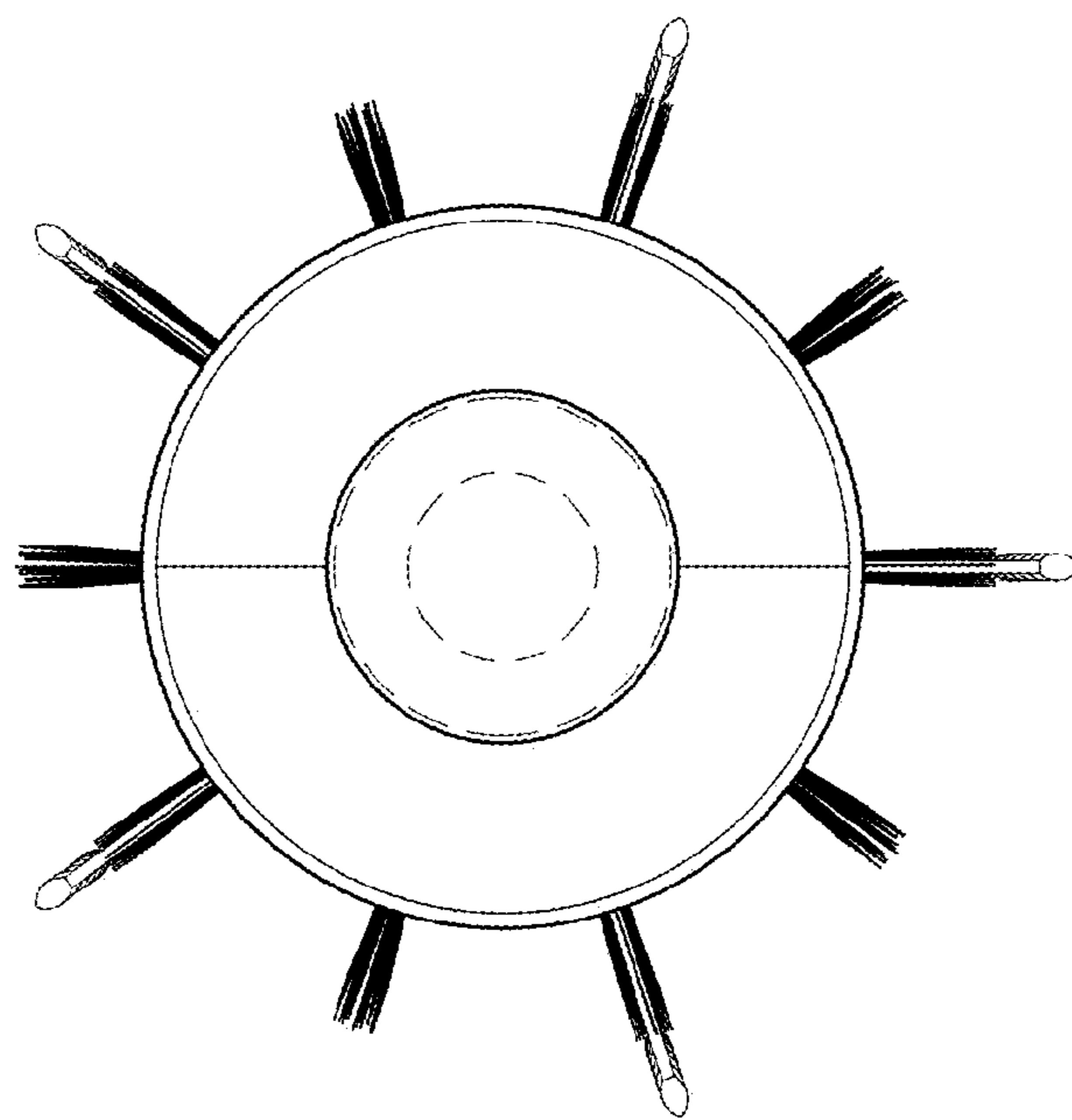


FIG. 11

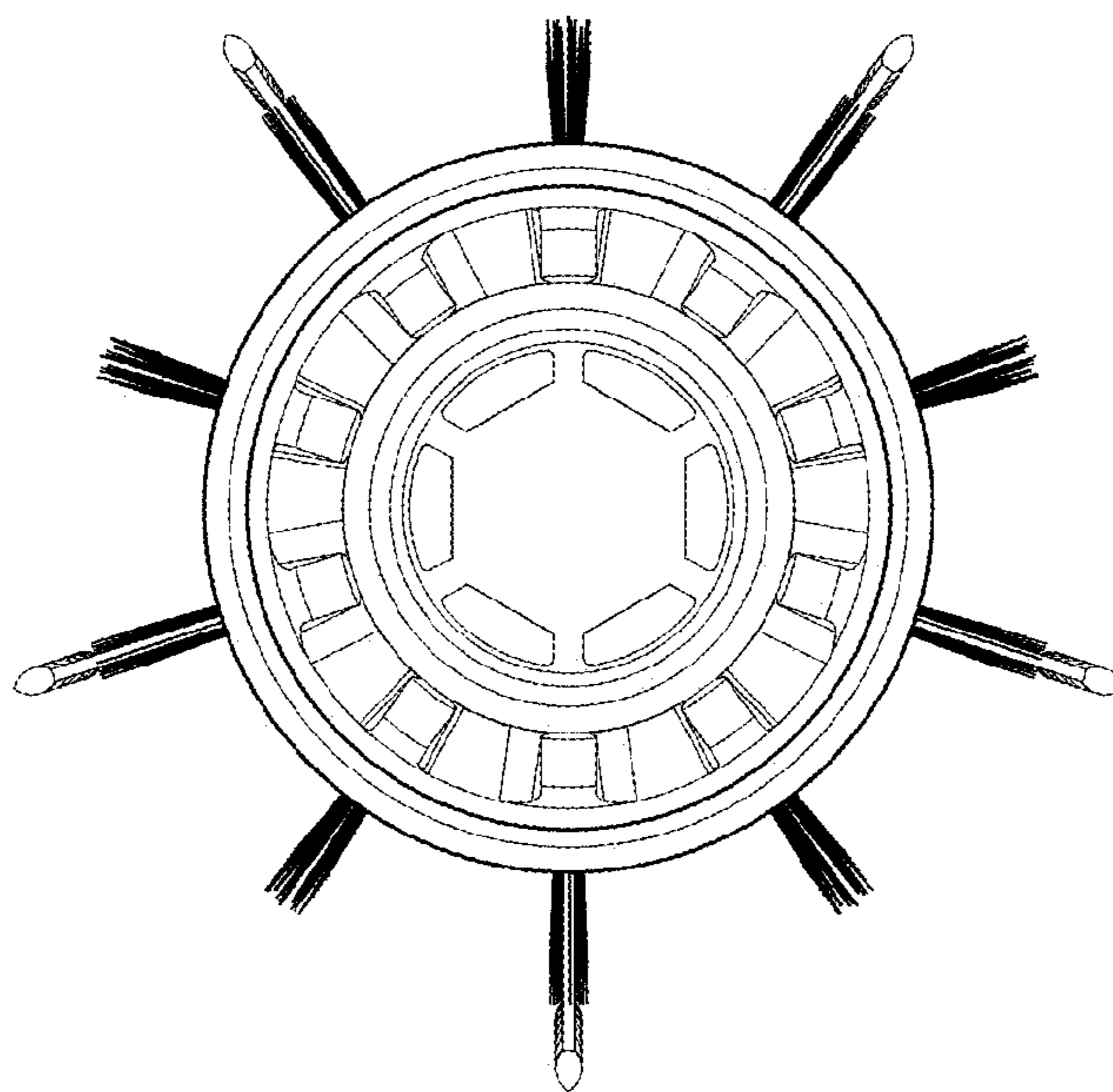


FIG. 12

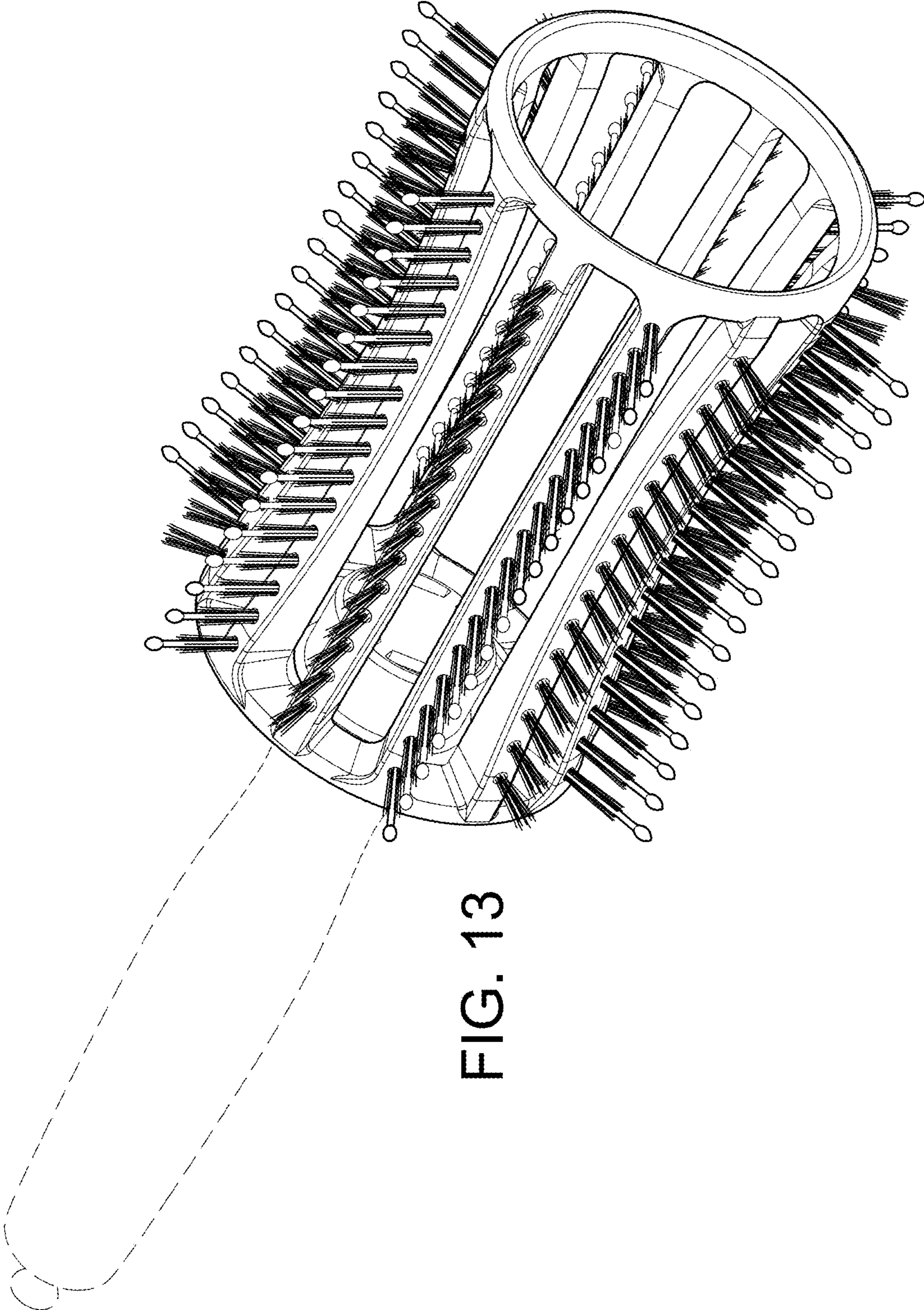


FIG. 13

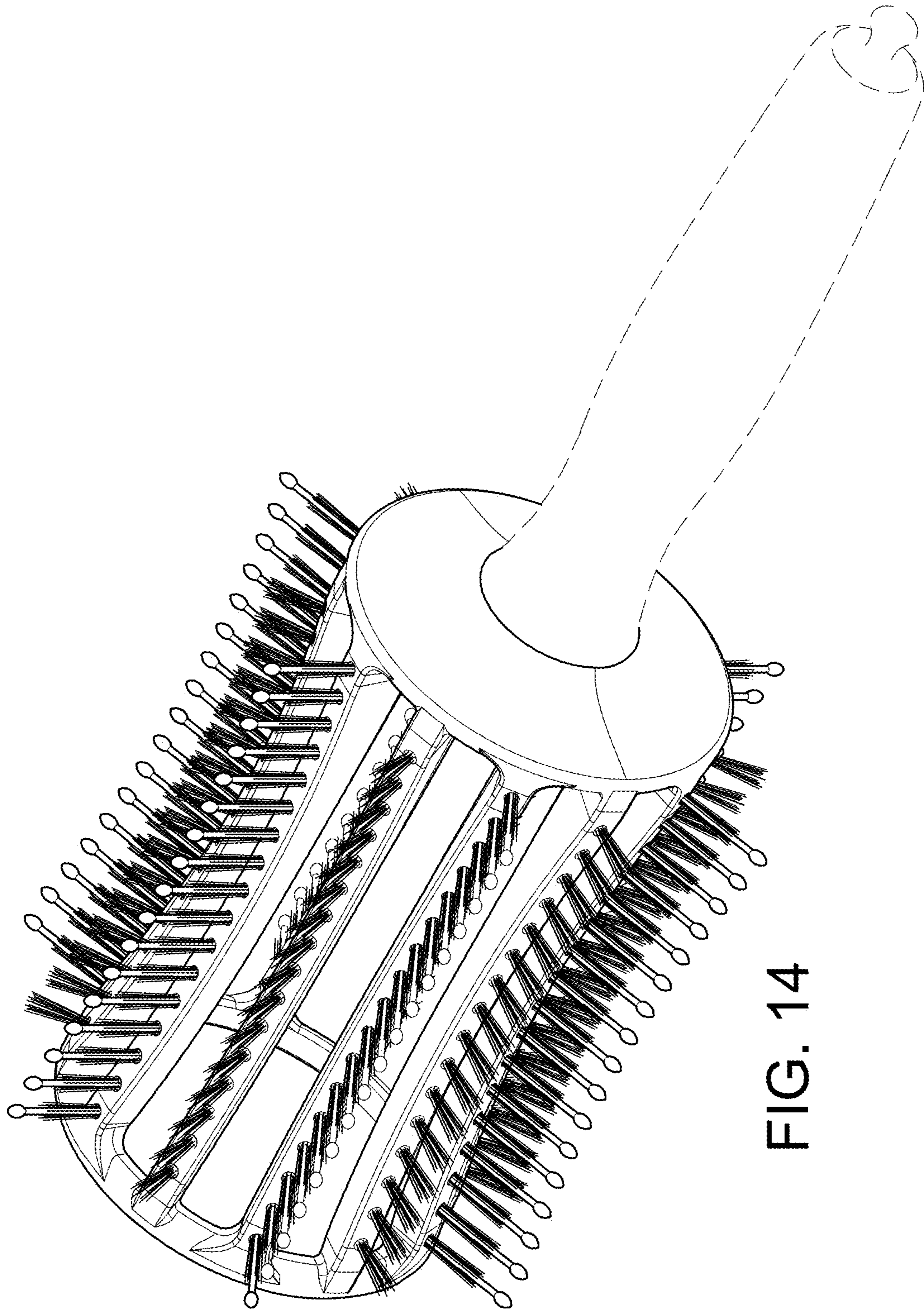


FIG. 14

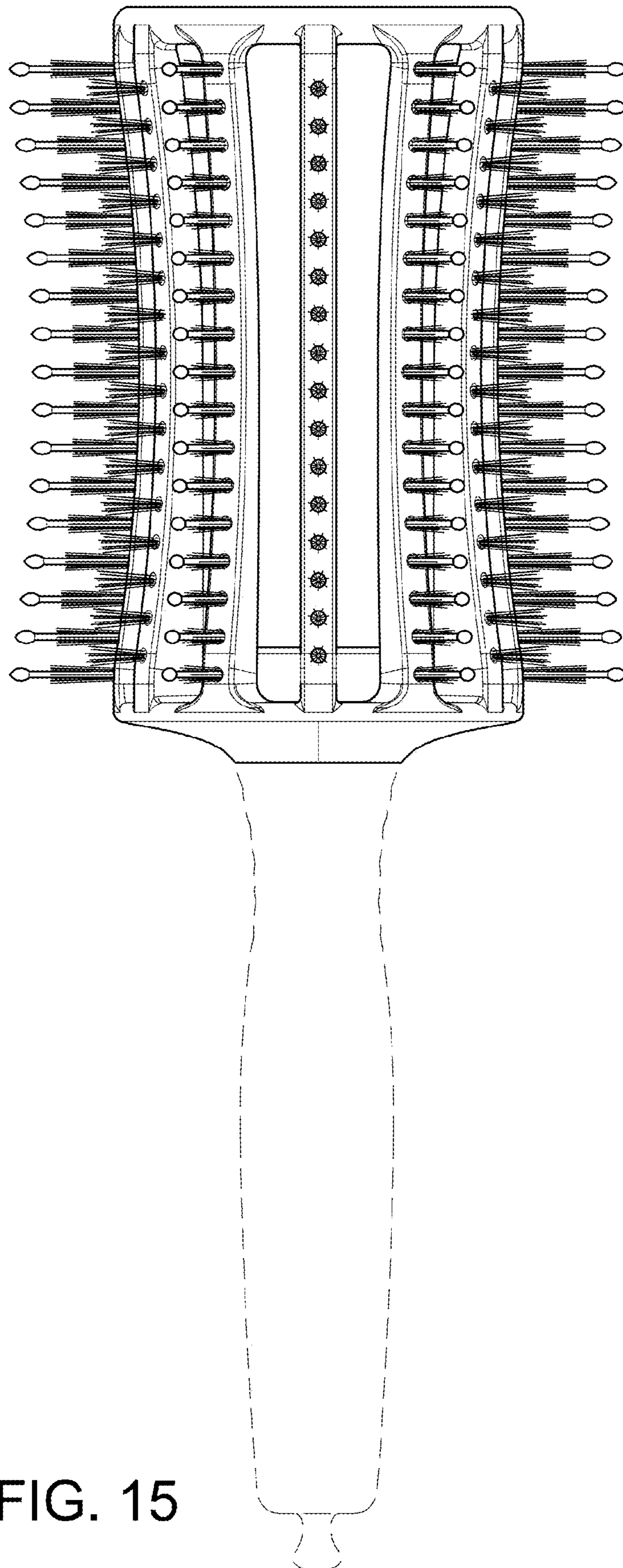


FIG. 15

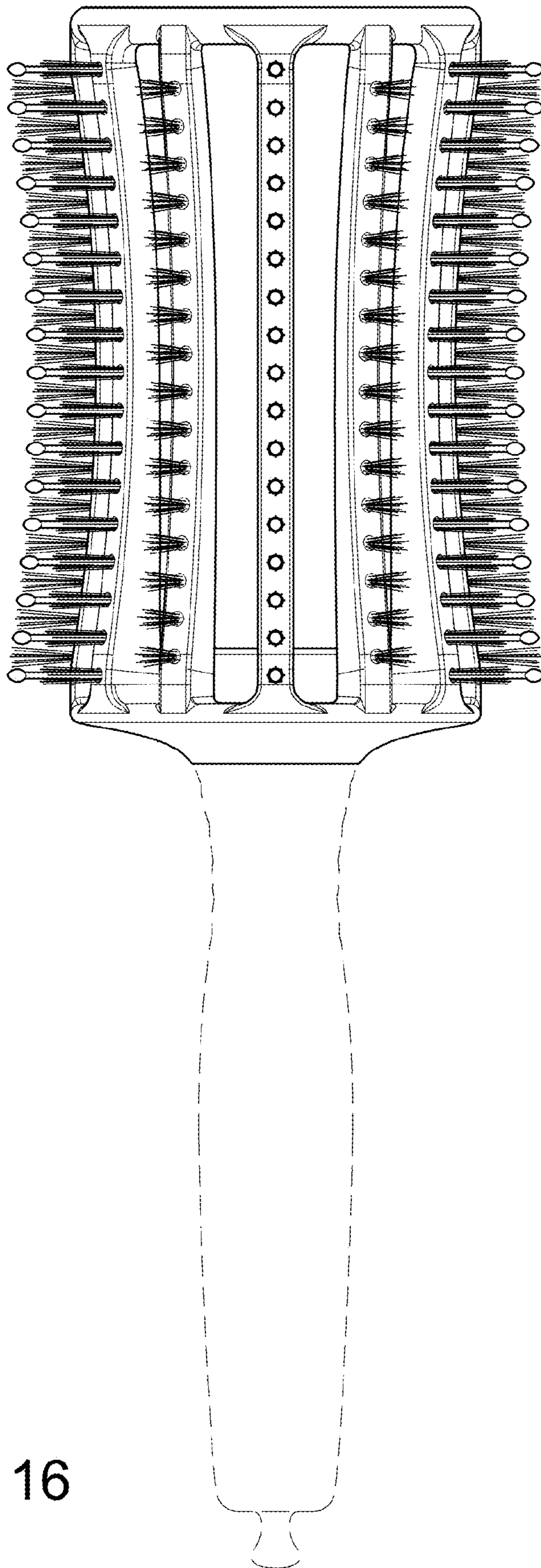


FIG. 16

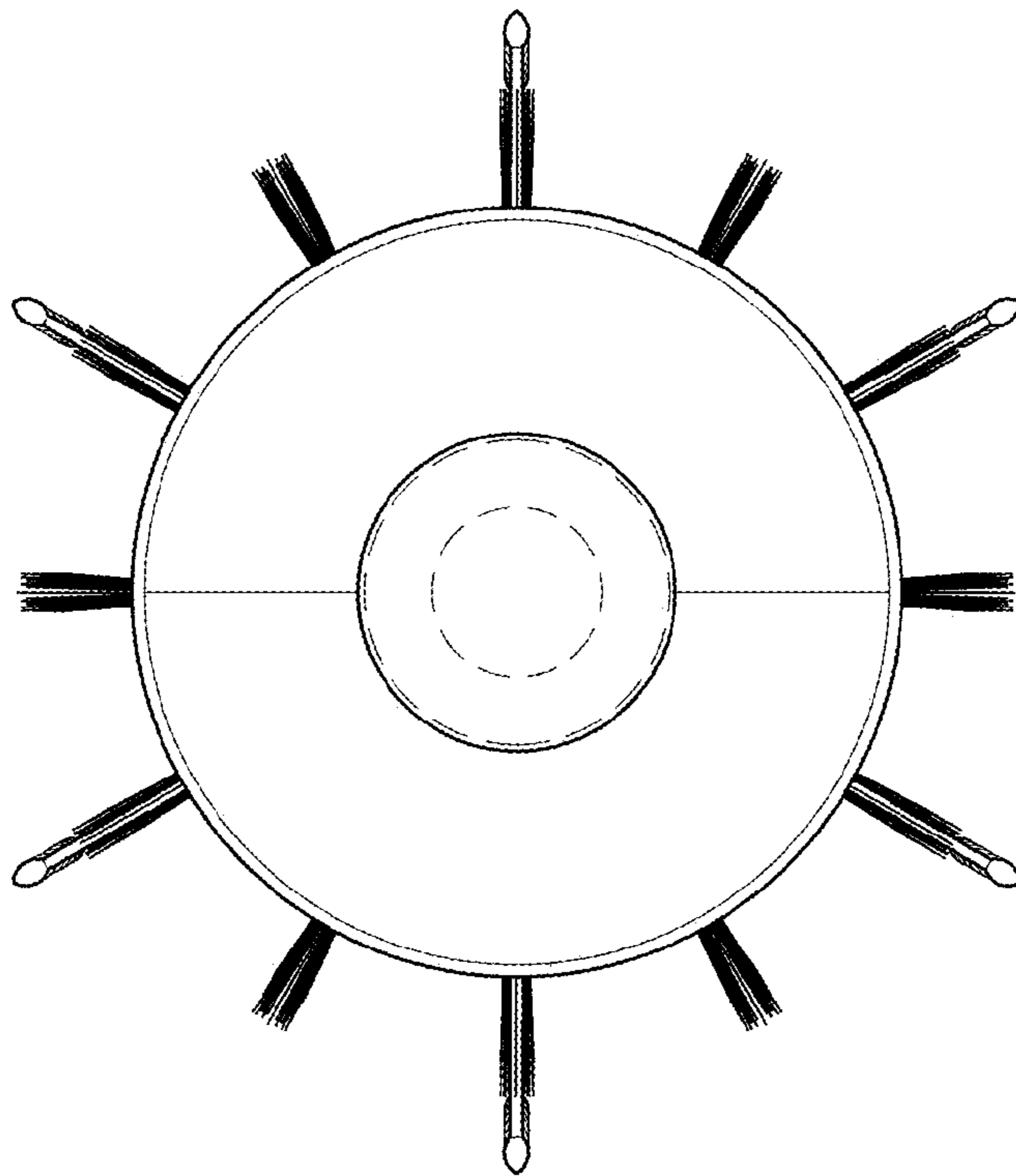


FIG. 17

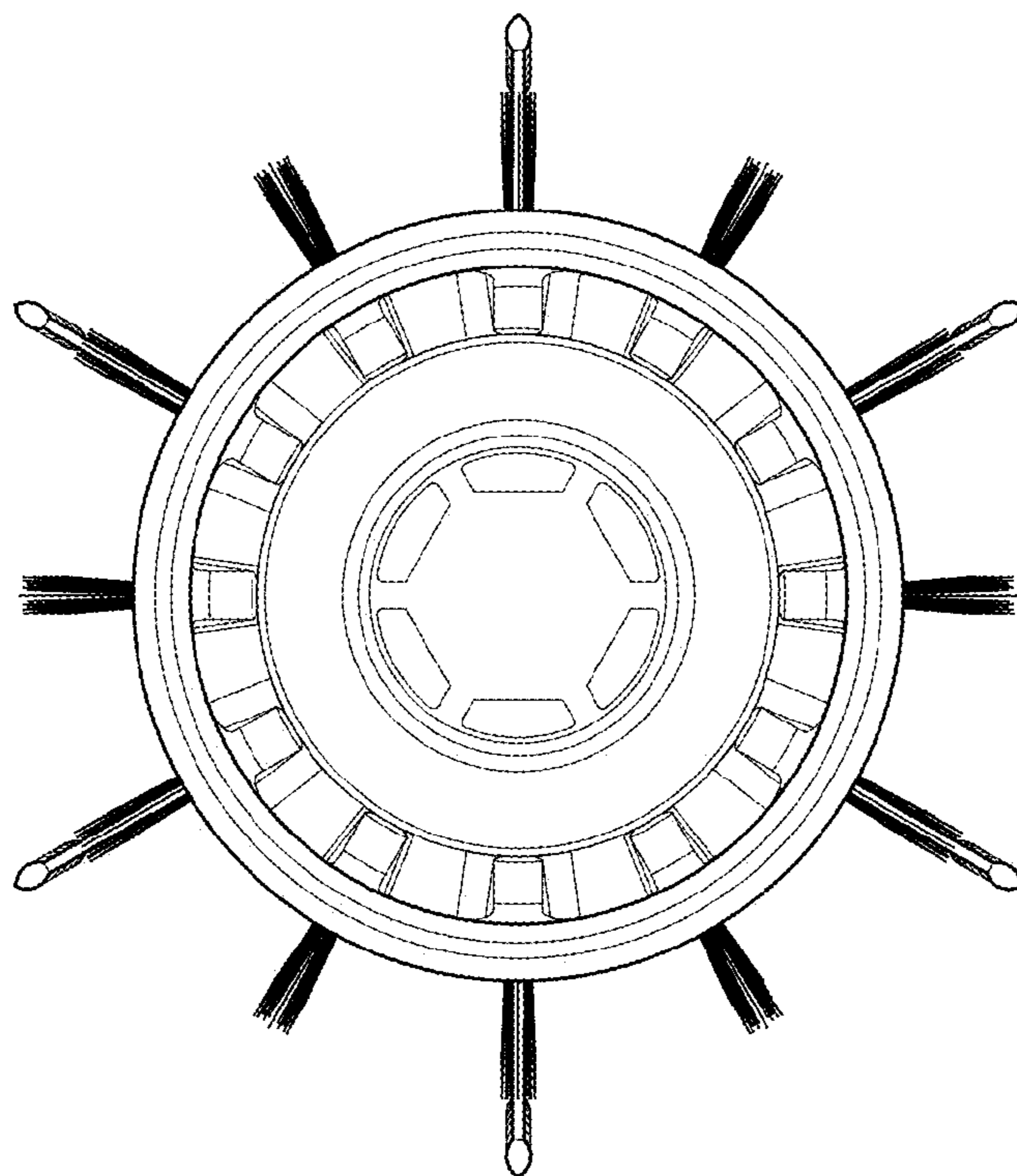


FIG. 18