



US00D971615S

(12) **United States Design Patent** (10) **Patent No.:** **US D971,615 S**
Wang (45) **Date of Patent:** **** Dec. 6, 2022**

(54) **HAIR REMOVER**

(71) Applicant: **Qi Wang**, Jiangxi (CN)

(72) Inventor: **Qi Wang**, Jiangxi (CN)

(**) Term: **15 Years**

(21) Appl. No.: **29/778,413**

(22) Filed: **Apr. 13, 2021**

(51) **LOC (13) Cl.** **04-99**

(52) **U.S. Cl.**
USPC **D4/118; D28/44**

(58) **Field of Classification Search**
USPC D4/137, 118; D28/50, 44
CPC B26B 19/14; B26B 19/48; B26B 19/3853;
B26B 19/44; D06C 11/00; A47L 25/08;
A46B 2200/3053

See application file for complete search history.

(56) **References Cited**

U.S. PATENT DOCUMENTS

D642,740 S *	8/2011	Chiodo	D28/44
D889,851 S *	7/2020	Lei	D4/118
10,874,207 B1 *	12/2020	Wengreen	A46B 9/005
2016/0120392 A1 *	5/2016	Jang	A47L 25/08
				15/104.002
2019/0246783 A1 *	8/2019	Allen-Gipson	A46B 13/02

OTHER PUBLICATIONS

Portable Lint Remover by Mocumei, www.amazon.com, first available May 20, 2021, 1 page (Year: 2021).*

* cited by examiner

Primary Examiner — Jennifer Rivard

(74) *Attorney, Agent, or Firm* — ScienBiziP, P.C.

(57) **CLAIM**

The ornamental design for a hair remover, as shown and described.

DESCRIPTION

FIG. 1 is a front, right, and top perspective view of a hair remover, showing my design.

FIG. 2 is a front elevation view thereof.

FIG. 3 is a rear elevation view thereof.

FIG. 4 is a left side elevation view thereof.

FIG. 5 is a right side elevation view thereof.

FIG. 6 is a top plan view thereof.

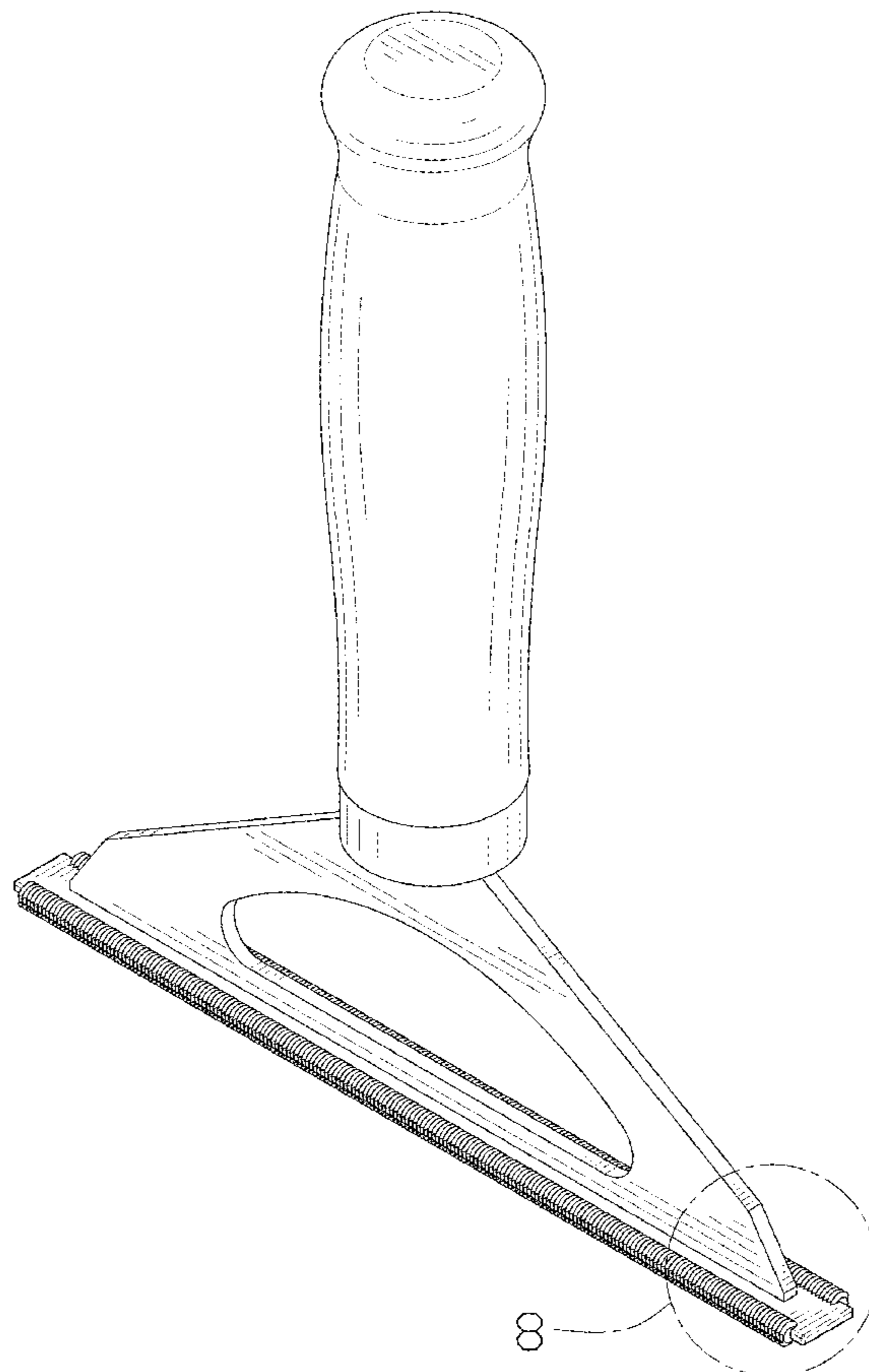
FIG. 7 is a bottom plan view thereof.

FIG. 8 is a partial, enlarged view of the area labeled 8 in FIG. 1 illustrating the top of the blades; and,

FIG. 9 is a partial, enlarged view of the area labeled 9 in FIG. 7 illustrating the bottom of the blades.

The broken lines shown in the drawings are included for the purpose of illustrating portions of the hair remover that form no part of the claimed design.

1 Claim, 9 Drawing Sheets



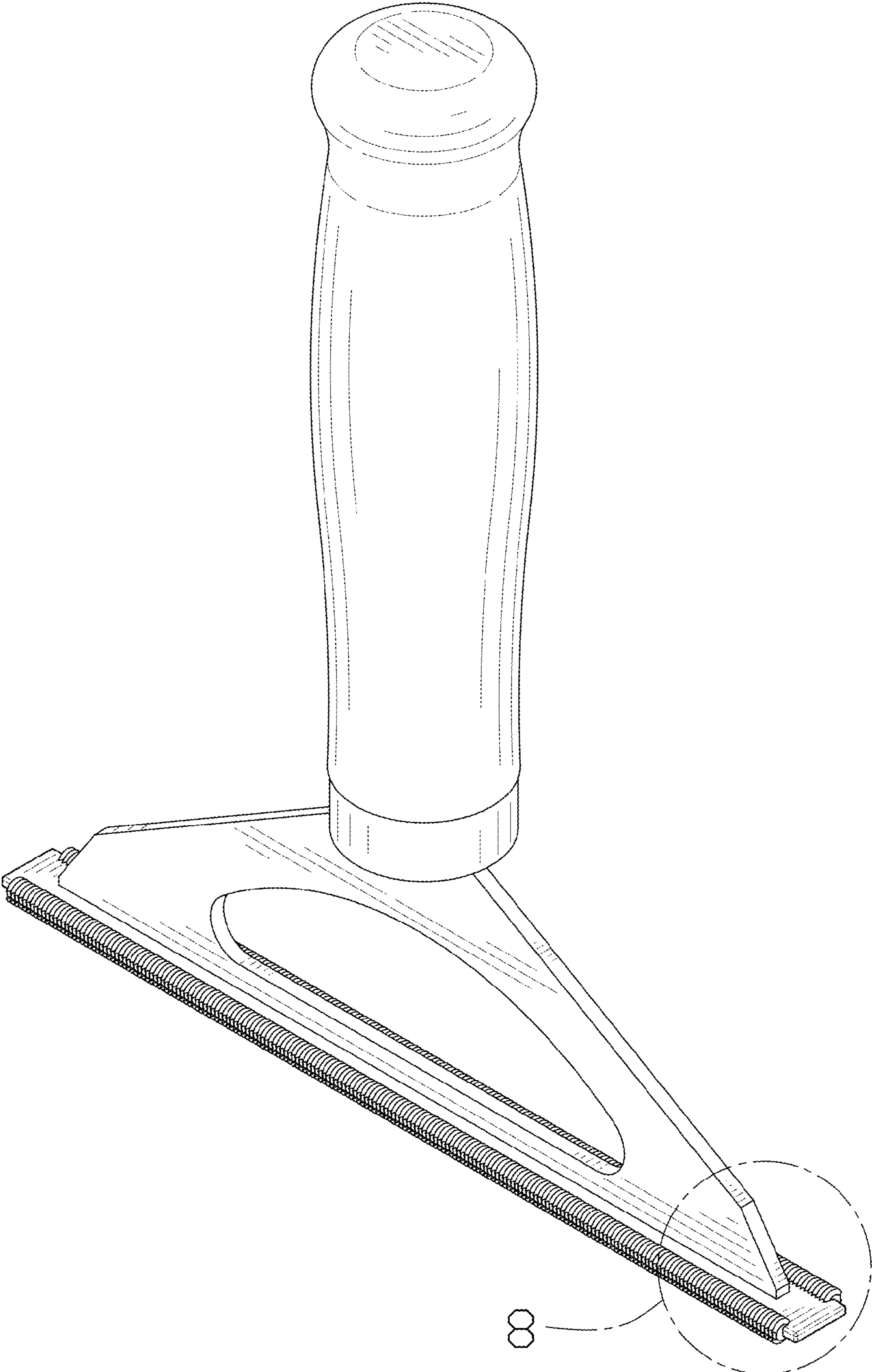


FIG. 1

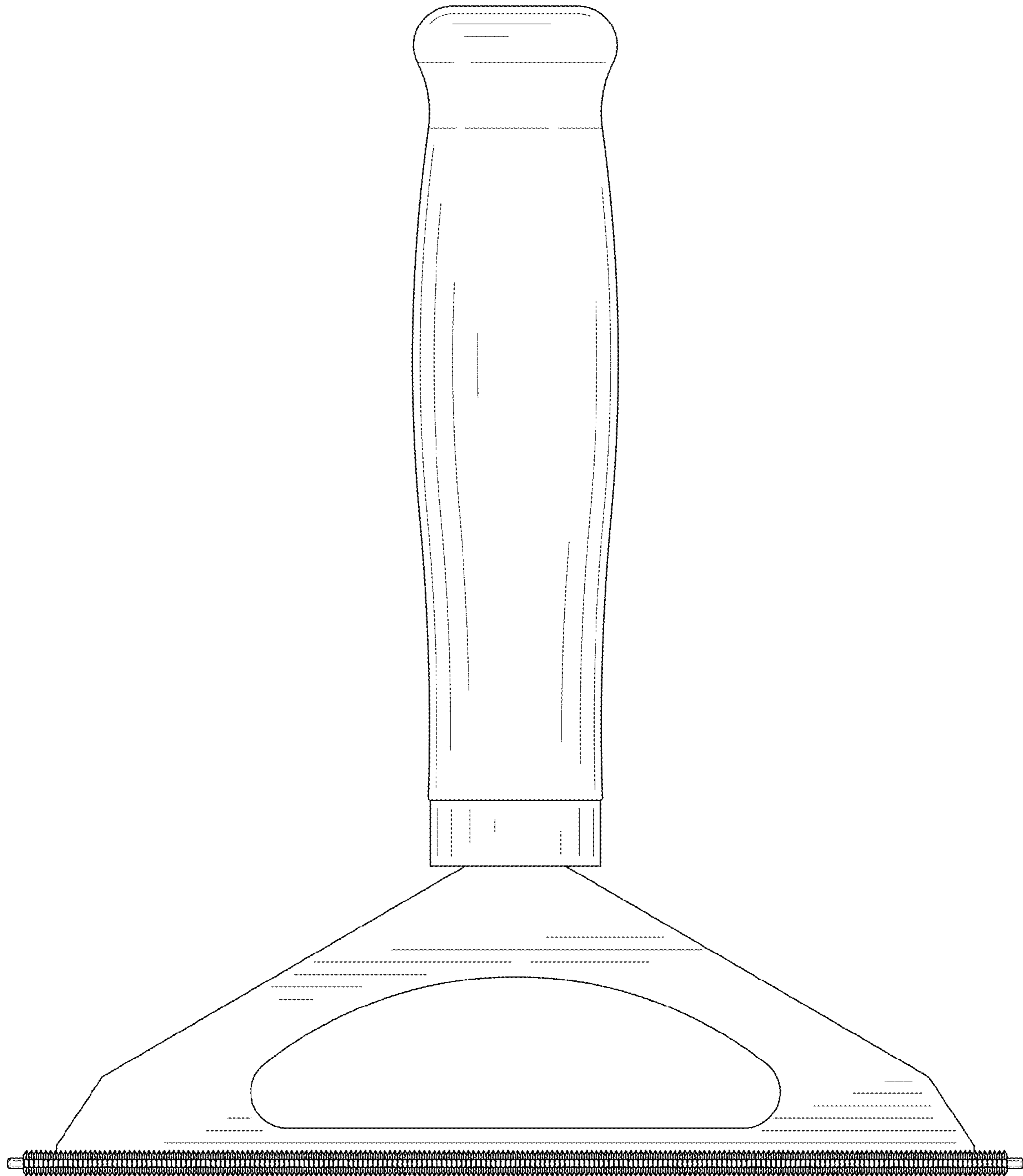


FIG. 2

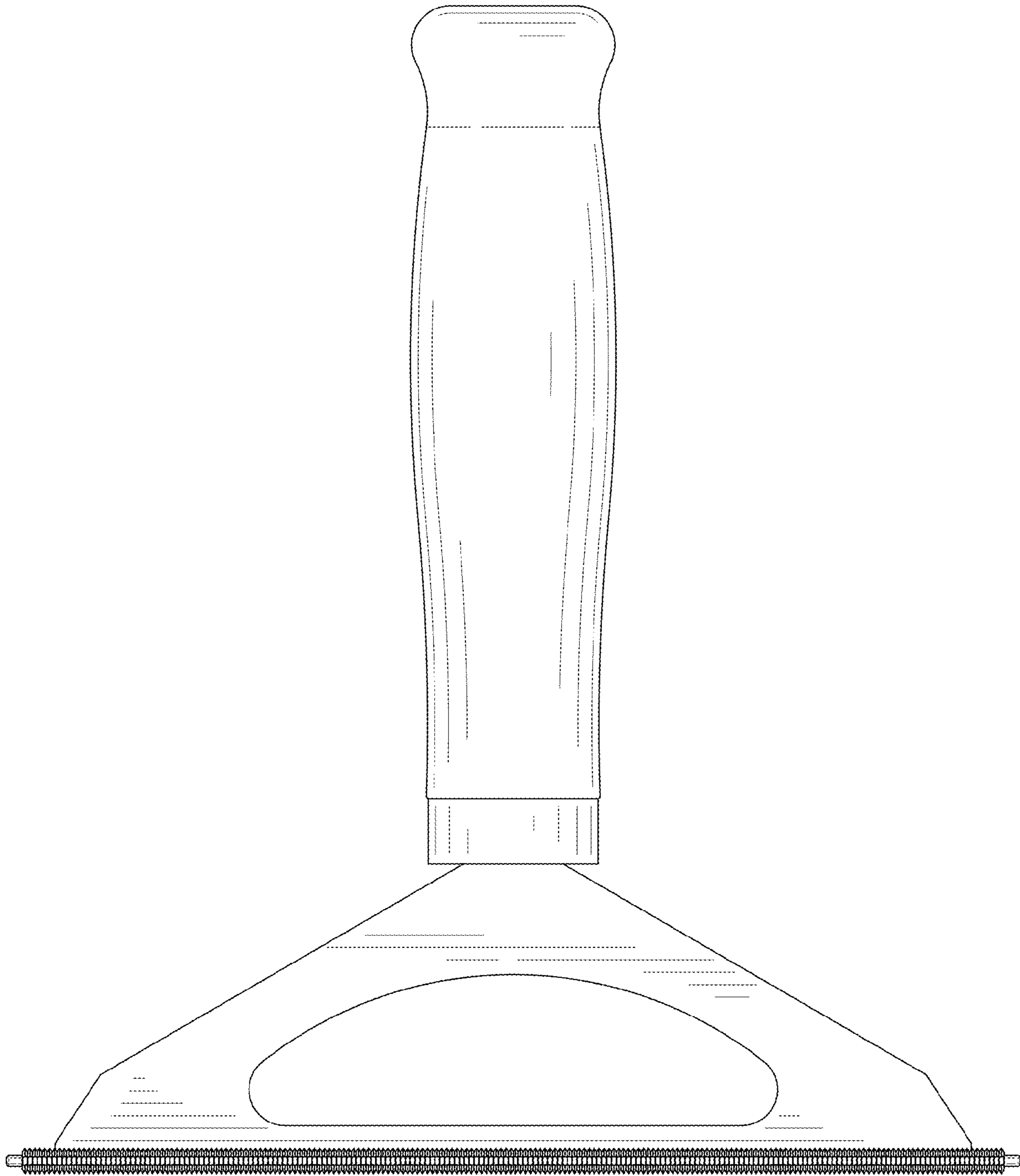


FIG. 3

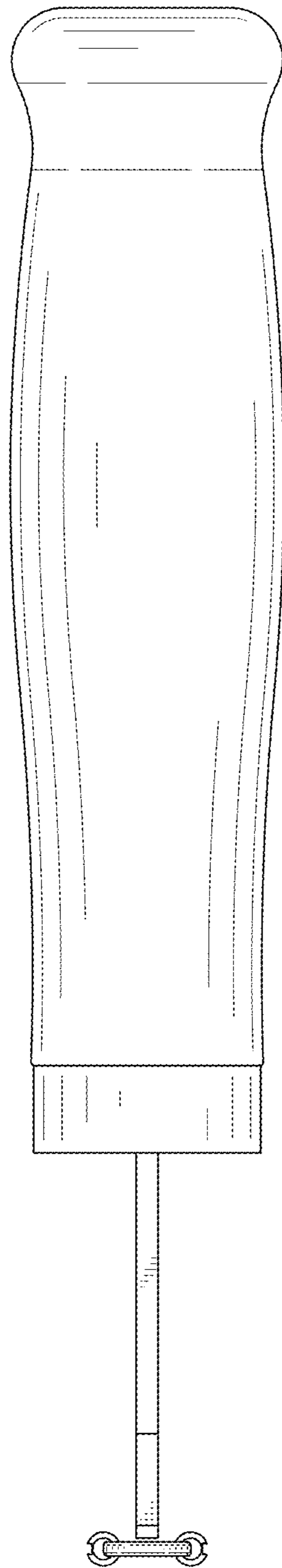


FIG. 4

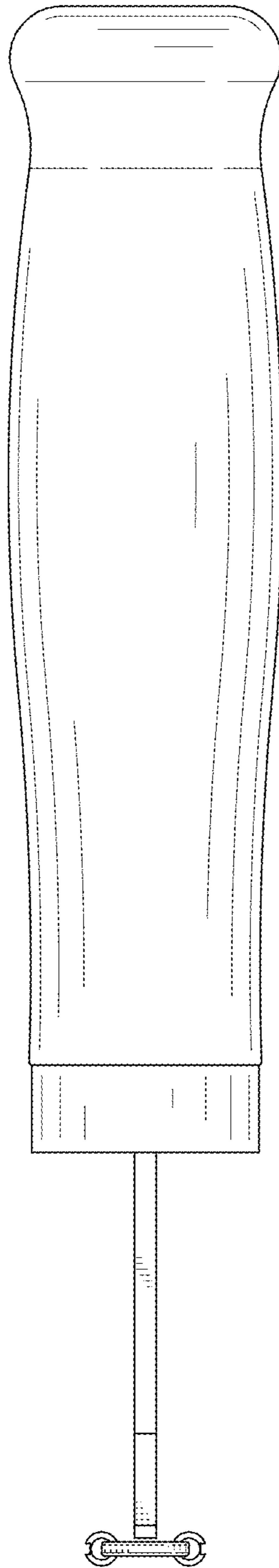


FIG. 5

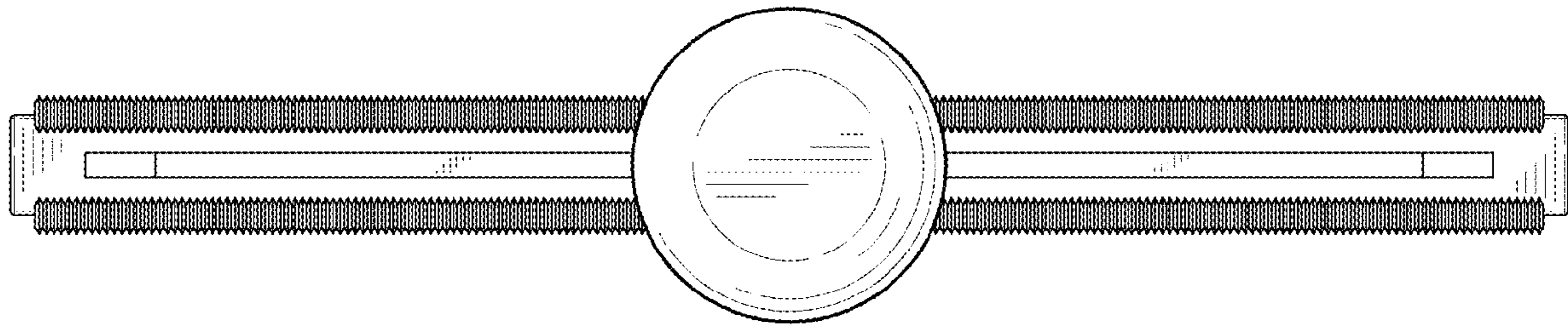


FIG. 6

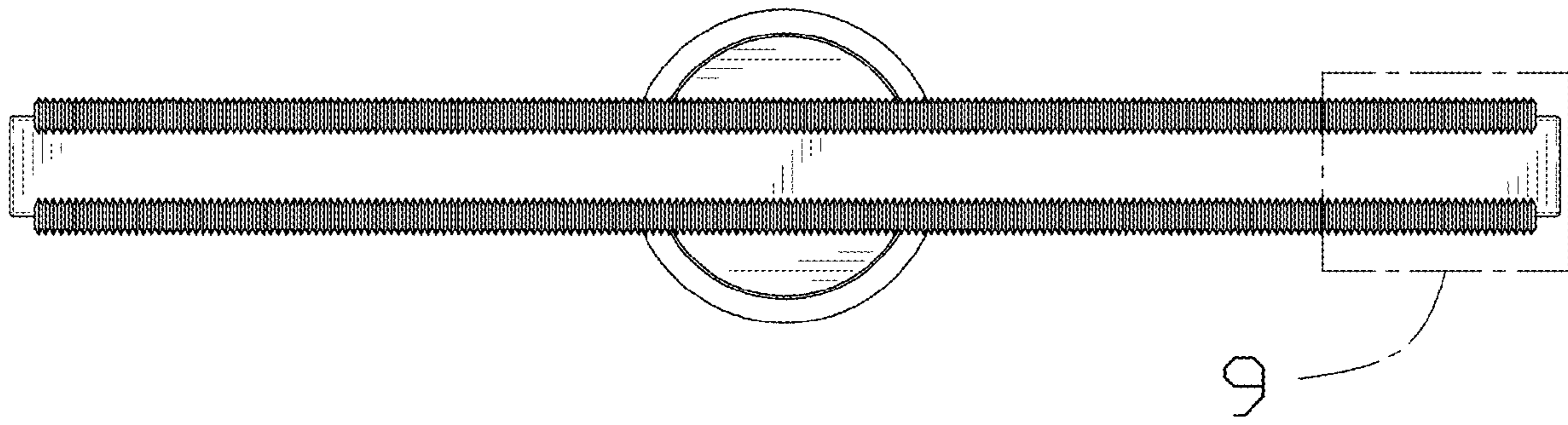


FIG. 7

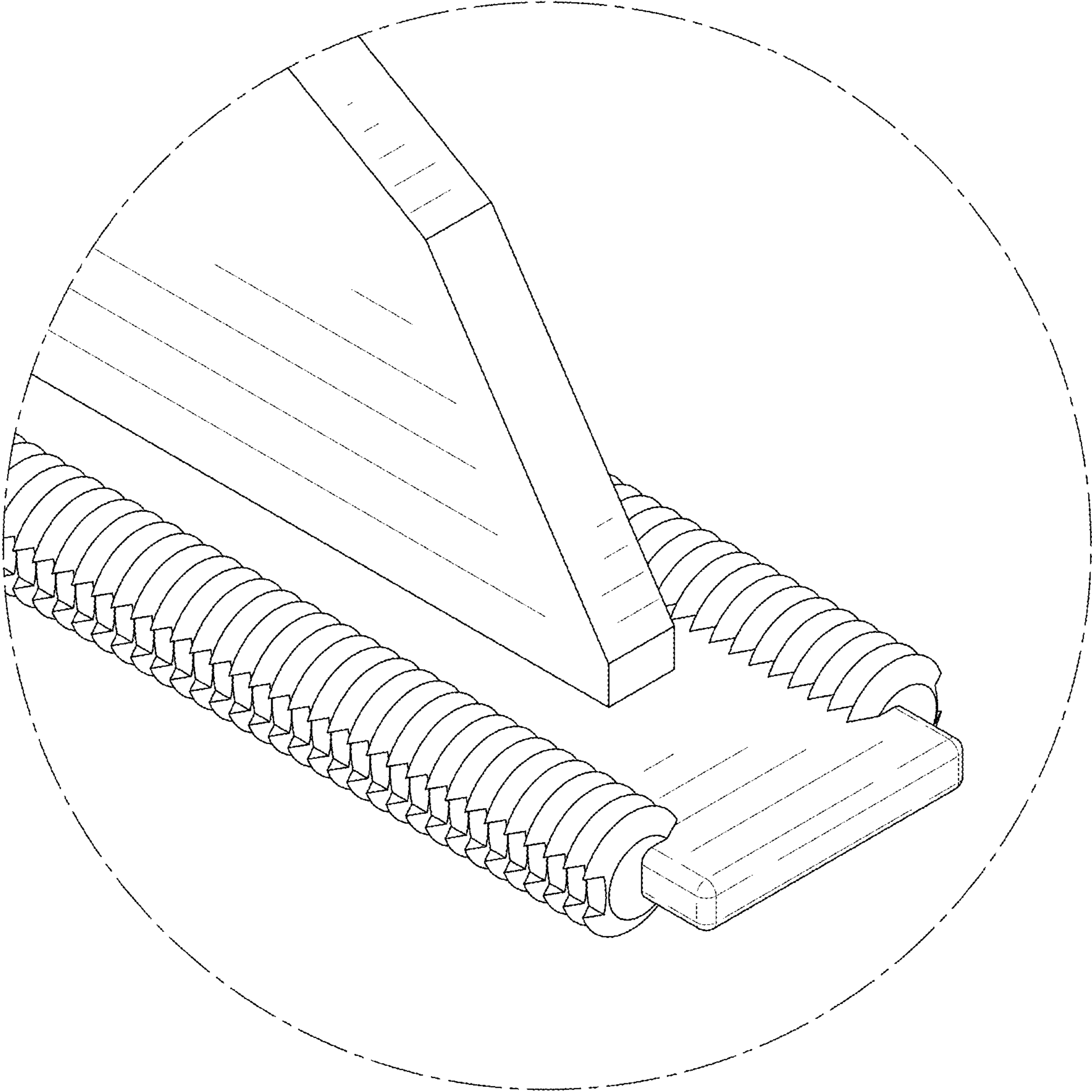


FIG. 8

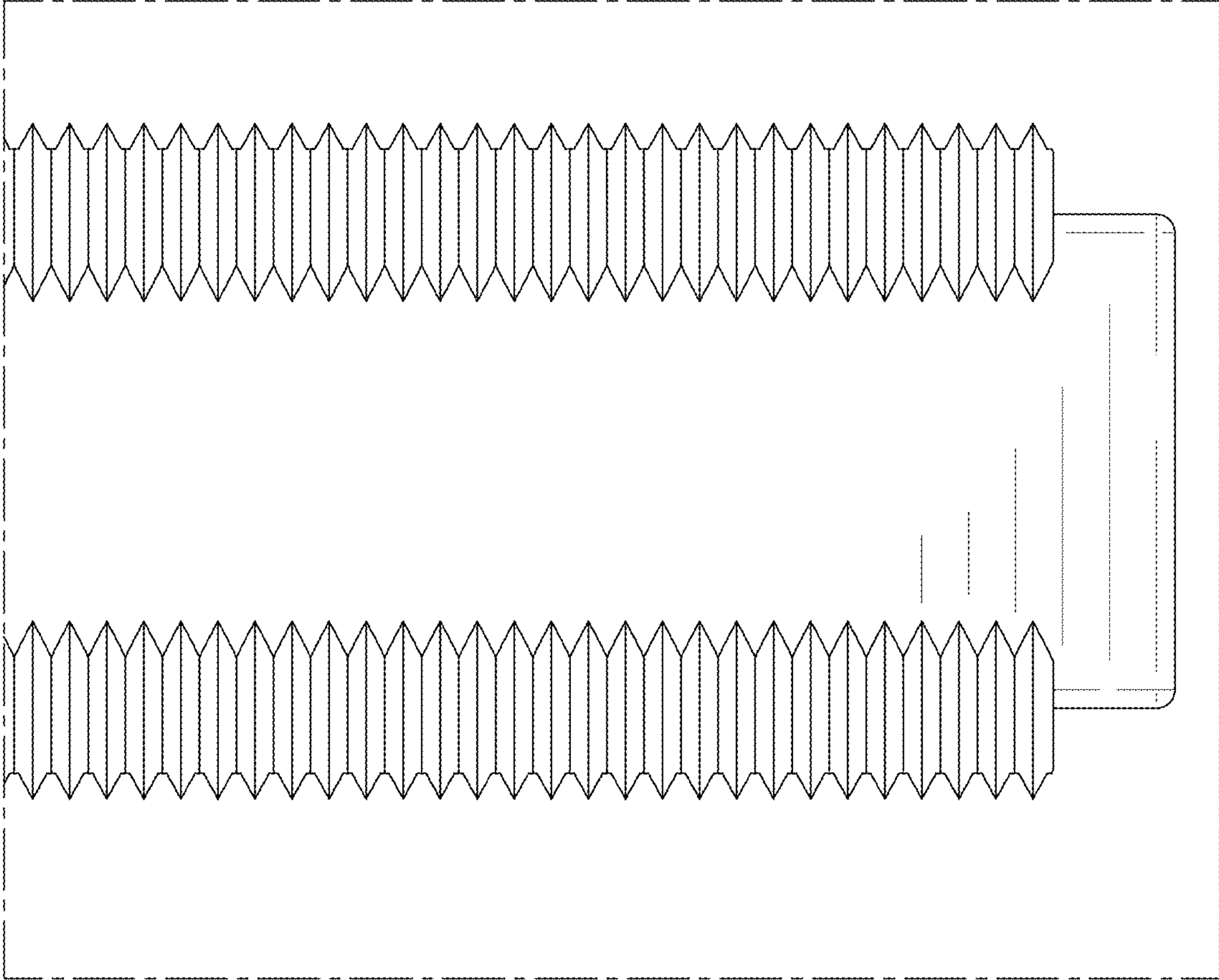


FIG. 9