



US00D971611S

(12) **United States Design Patent** (10) **Patent No.:** **US D971,611 S**
Liu (45) **Date of Patent:** **** Dec. 6, 2022**

(54) **TOOTHBRUSH HEAD**
(71) Applicant: **Chunyang Liu**, Dongguan (CN)
(72) Inventor: **Chunyang Liu**, Dongguan (CN)
(**) Term: **15 Years**
(21) Appl. No.: **29/808,355**
(22) Filed: **Sep. 17, 2021**

D569,623 S 5/2008 Beedham
D580,173 S 11/2008 Beedham
7,722,278 B2 5/2010 Black
(Continued)

FOREIGN PATENT DOCUMENTS

CN 303783916 S 8/2016
CN 304251488 S 8/2017
(Continued)

OTHER PUBLICATIONS

Non-Final Rejection dated May 26, 2021 for the parent U.S. Appl. No. 29/763,794, Chunyang Liu, filed Dec. 24, 2020.

Primary Examiner — Rebekah A Caruso
(74) *Attorney, Agent, or Firm* — ScienBiziP, P.C.

(57) **CLAIM**

The ornamental design for a toothbrush head, as shown and described.

DESCRIPTION

The file of this patent contains at least one drawing/photograph executed in color. Copies of this patent with color drawing(s)/photograph(s) will be provided by the Office upon request and payment of the necessary fee.

FIG. 1 is a front, right, and top perspective view of a toothbrush head, showing my design;
FIG. 2 is a rear, left, and bottom perspective view thereof;
FIG. 3 is a front elevational view thereof;
FIG. 4 is a rear elevational view thereof;
FIG. 5 is a left side elevational view thereof;
FIG. 6 is a right side elevational view thereof;
FIG. 7 is a top plan view thereof; and,
FIG. 8 is a bottom plan view thereof.

The broken lines shown in the drawings are included for the purpose of illustrating portions of the toothbrush head that form no part of the claimed design.

1 Claim, 8 Drawing Sheets
(7 of 8 Drawing Sheet(s) Filed in Color)

Related U.S. Application Data

(63) Continuation-in-part of application No. 29/763,794, filed on Dec. 24, 2020, now Pat. No. Des. 939,216.

(30) **Foreign Application Priority Data**

Dec. 17, 2020 (EM) 008327910

(51) **LOC (13) Cl.** **04-02**

(52) **U.S. Cl.**
USPC **D4/101; D4/110**

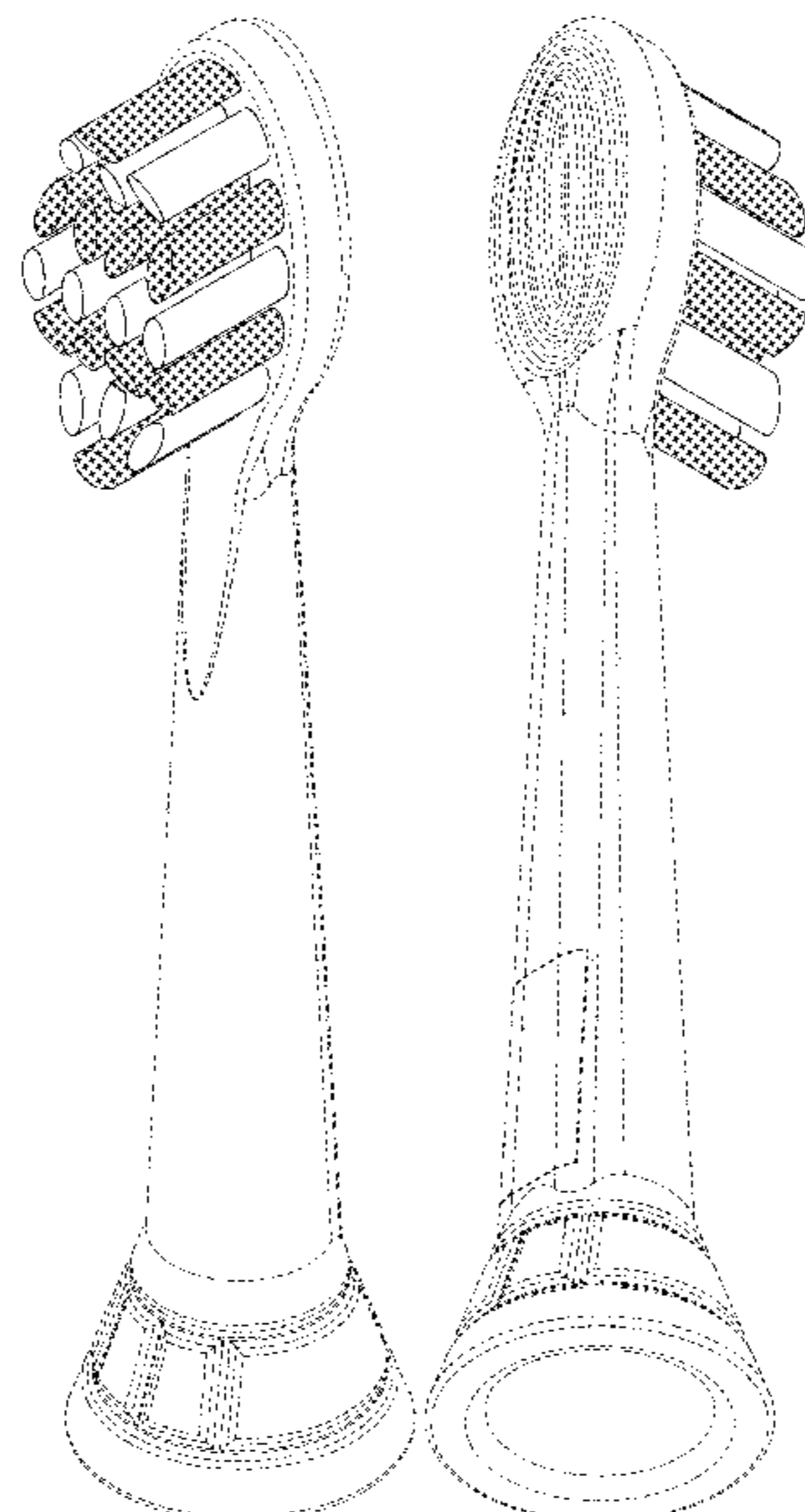
(58) **Field of Classification Search**
USPC D4/101, 102, 104, 114, 116, 118, 120,
D4/121, 125, 132, 134, 138, 100,
D4/105-113; D24/152, 176
CPC . A46B 5/00; A46B 5/0095; A46B 2200/1066;
A61C 17/16; A61C 17/221; A61C
17/222; A61C 17/225; A61C 17/0202;
A61C 17/34

See application file for complete search history.

(56) **References Cited**

U.S. PATENT DOCUMENTS

1,892,068 A 12/1932 Metzler
5,412,827 A 5/1995 Muller et al.
5,448,792 A 9/1995 Wiedemann et al.
5,467,494 A 11/1995 Muller et al.
D563,674 S 3/2008 Beedham



(56)

References Cited

U.S. PATENT DOCUMENTS

D621,160 S 8/2010 Ballmaier et al.
 D653,035 S * 1/2012 Gebski D4/101
 D657,565 S * 4/2012 Gebski D4/101
 D657,954 S 4/2012 Gebski
 D696,517 S 12/2013 Gebski
 8,782,841 B2 7/2014 Sale et al.
 D715,057 S * 10/2014 Adriaenssen D4/101
 9,173,479 B2 11/2015 Butz et al.
 D747,609 S * 1/2016 Watkins D4/101
 D759,380 S * 6/2016 Watkins D4/101
 D759,383 S * 6/2016 Watkins D4/101
 9,724,180 B1 8/2017 Liu
 D805,306 S * 12/2017 Masee D4/101
 D823,469 S 7/2018 Hayes
 D863,771 S 10/2019 Zavalloni
 10,441,175 B2 10/2019 Xi et al.
 D866,188 S * 11/2019 Wagner A61C 17/02
 D4/101
 D878,765 S 3/2020 Wagner et al.
 10,575,626 B2 3/2020 Dengler et al.
 D887,145 S * 6/2020 Hu D4/101
 D891,114 S * 7/2020 Kuang D4/101
 D891,116 S * 7/2020 Feng D4/101
 D895,976 S * 9/2020 Li D4/104
 D895,977 S 9/2020 Kuang
 D919,301 S * 5/2021 Zhao D4/101
 D931,615 S * 9/2021 Huang D4/101
 D933,962 S * 10/2021 He D4/101
 D933,965 S * 10/2021 Tang D4/101

D935,187 S * 11/2021 Hu D4/101
 D939,216 S * 12/2021 Liu D4/111
 D951,650 S * 5/2022 Peng D4/101
 D955,753 S * 6/2022 Zhou D4/101
 D956,424 S * 7/2022 Zhou D4/101
 D958,542 S * 7/2022 Zhou D4/101
 2014/0007361 A1 1/2014 Nazaroff et al.
 2015/0157122 A1 6/2015 Prescott
 2016/0150874 A1 6/2016 Rocha Silva
 2017/0105824 A1 4/2017 Dengler et al.
 2020/0085178 A1 3/2020 Van Den Ende et al.

FOREIGN PATENT DOCUMENTS

CN 306206871 S 12/2020
 EM 001787714-0001 S 12/2010
 EM 001787714-0004 S 12/2010
 EM 002163675-0002 S 1/2013
 EM 002163675-0003 S 1/2013
 EM 002163675-0004 S 1/2013
 EM 002424069-0001 S 9/2014
 EM 002691360-0001 S 5/2015
 EM 002691360-0002 S 5/2015
 EM 004005254-0001 S 8/2017
 EM 008327910-0001 S 12/2020
 EM 008408397-0001 S 1/2021
 EM 008408397-0004 S 1/2021
 EM 008408397-0011 S 1/2021
 EM 008408397-0012 S 1/2021
 EM 008047922-0006 S 2/2021
 EM 008047922-0007 S 2/2021

* cited by examiner

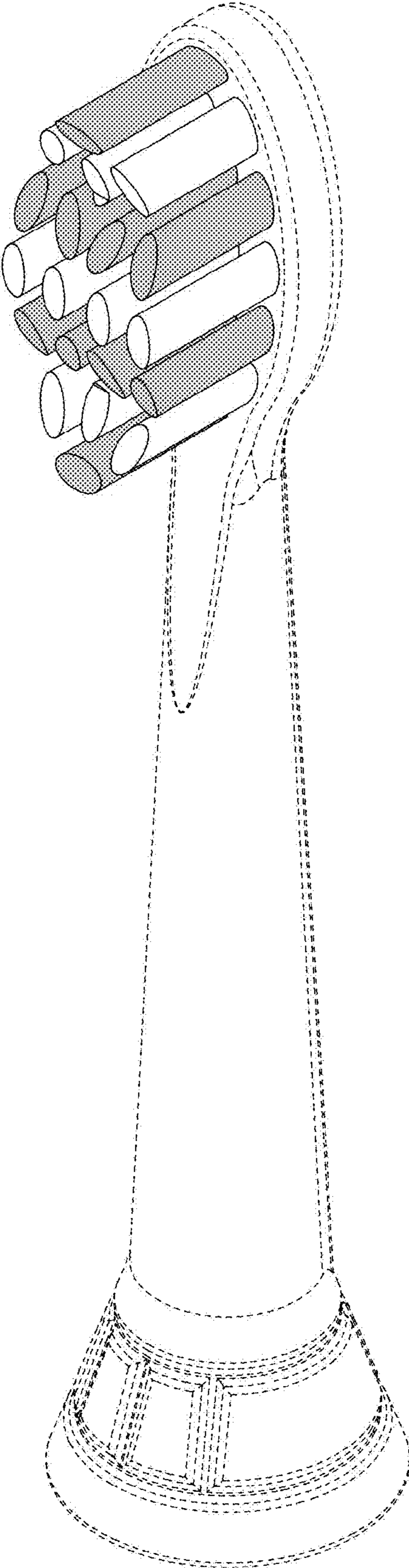


FIG. 1

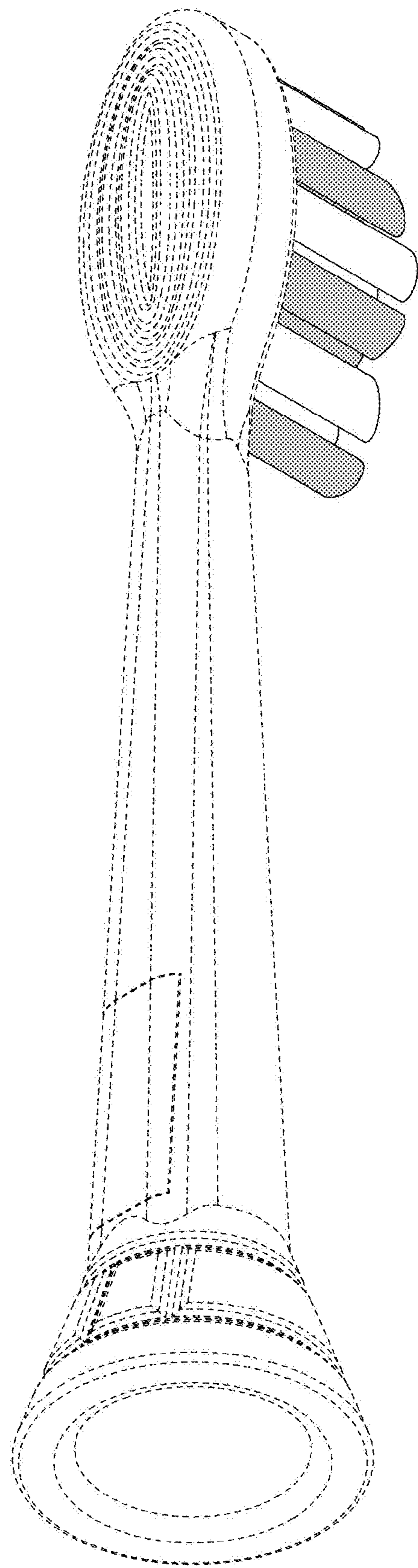


FIG. 2

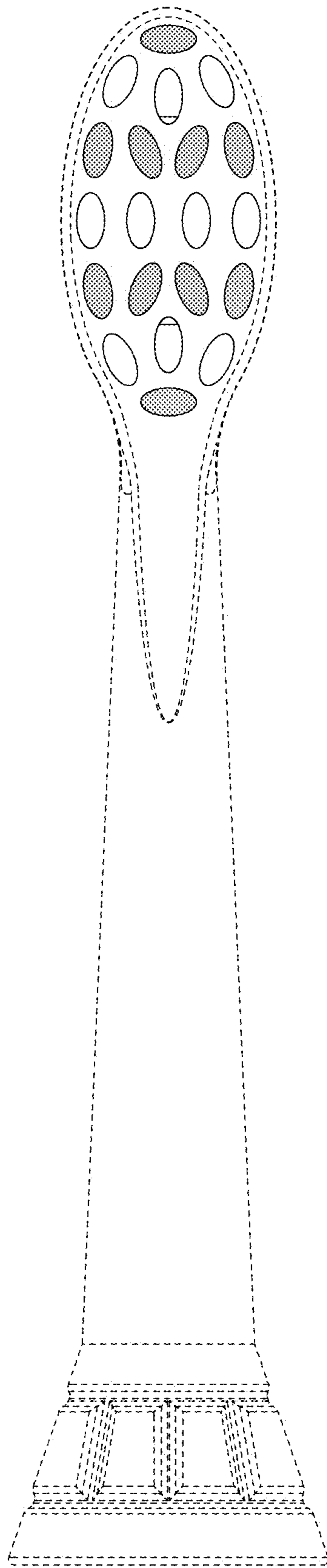


FIG. 3

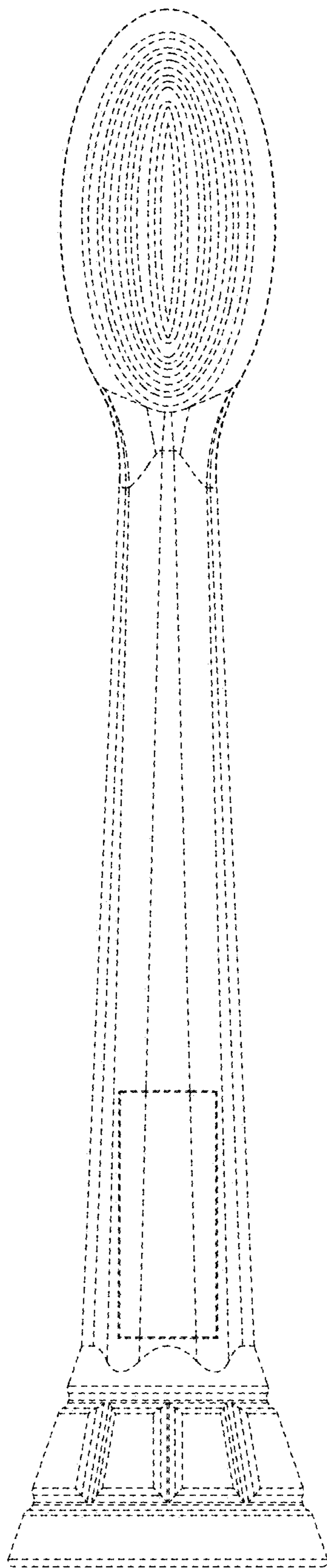


FIG. 4

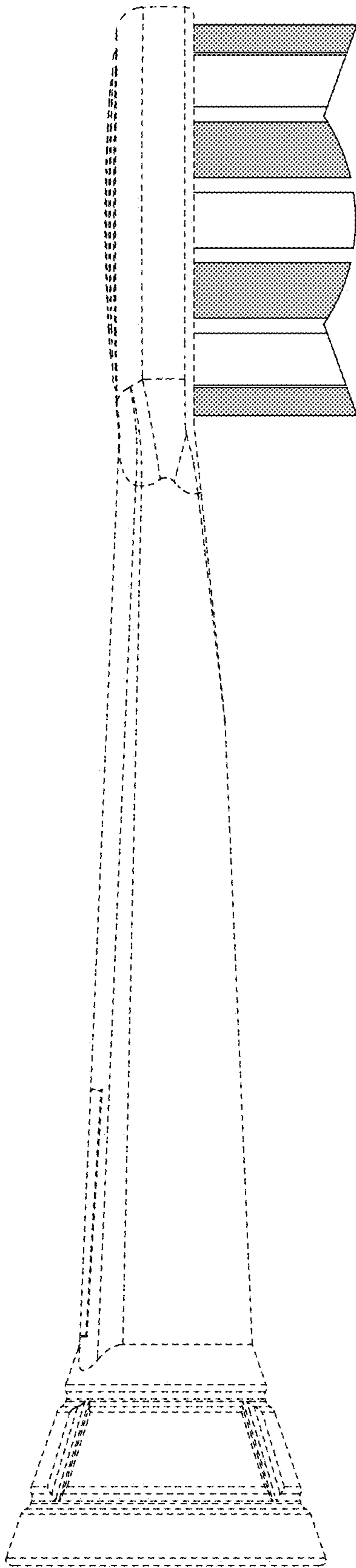


FIG. 5

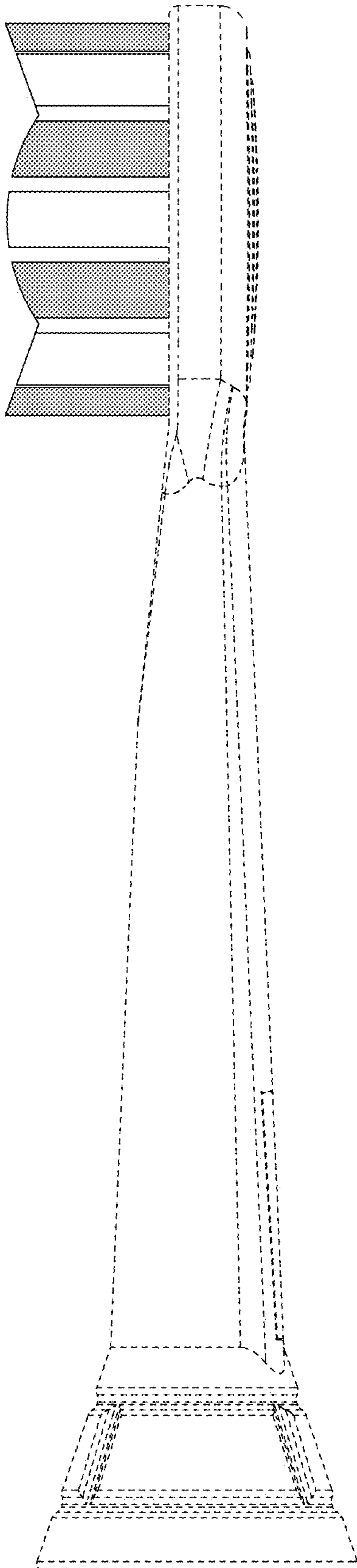


FIG. 6

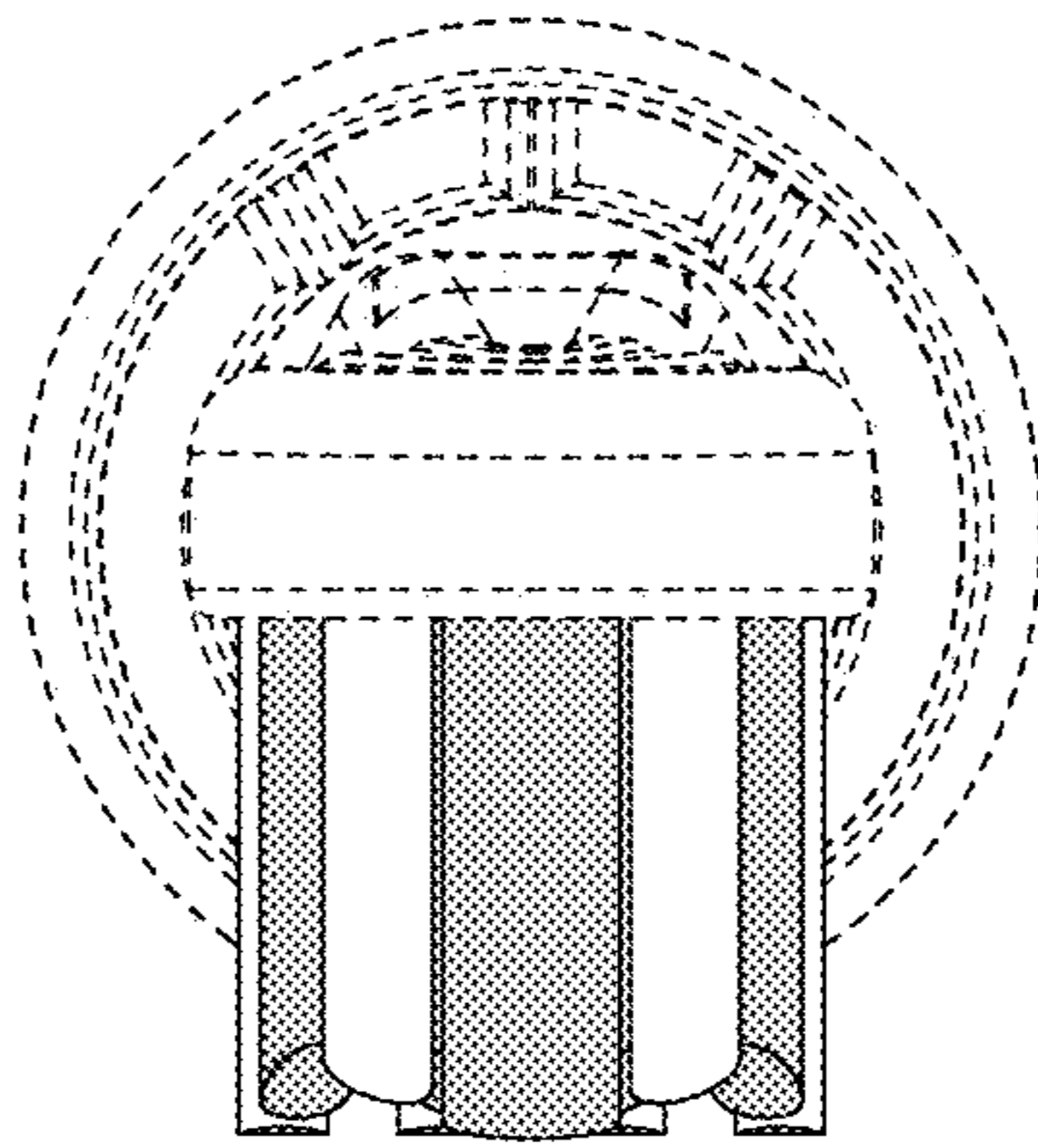


FIG. 7

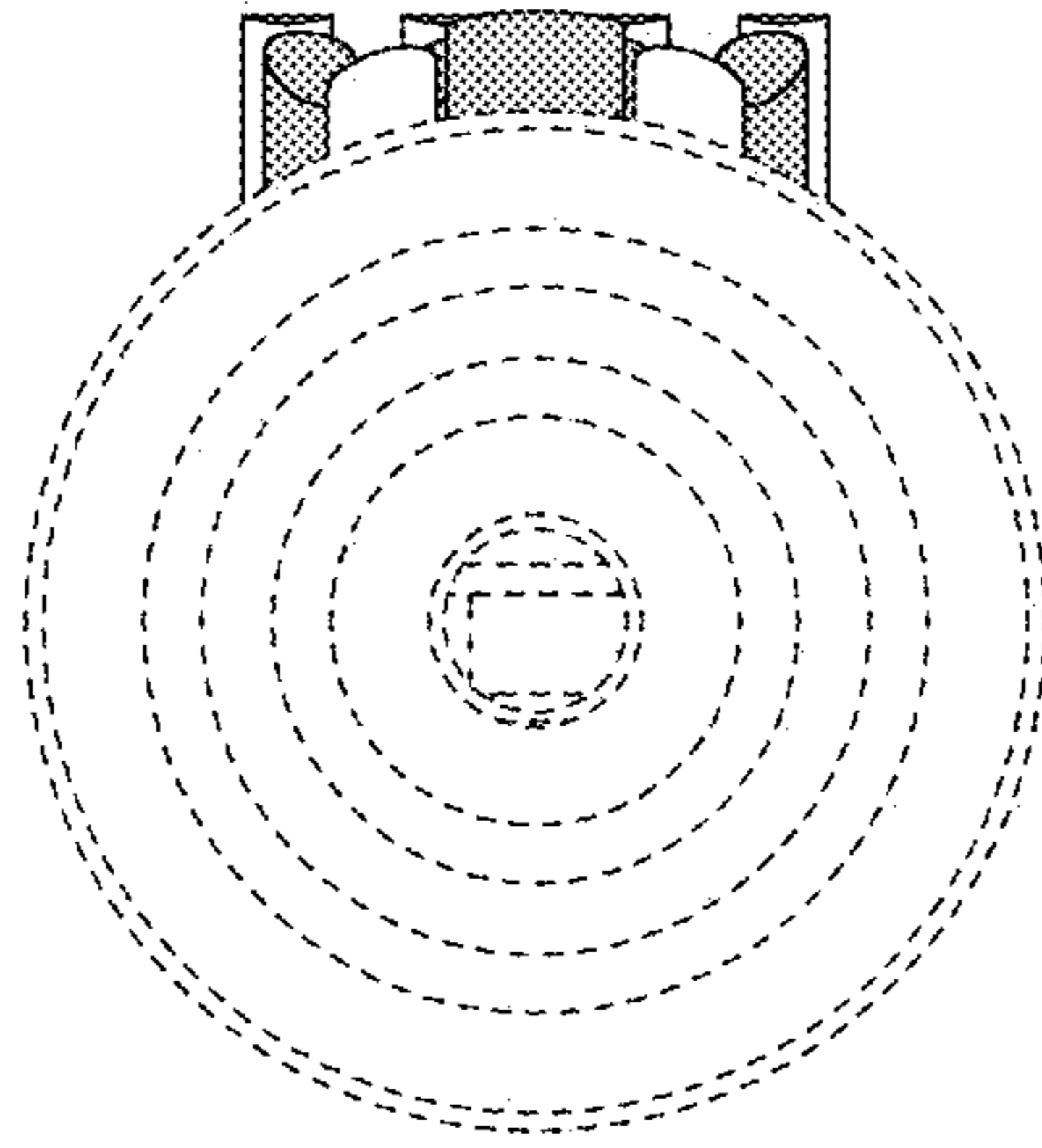


FIG. 8