



US00D971610S

(12) **United States Design Patent**
Kuang

(10) **Patent No.:** **US D971,610 S**

(45) **Date of Patent:** **** Dec. 6, 2022**

(54) **TOOTHBRUSH HEAD**

(71) Applicant: **Chaorui Kuang**, Guangdong (CN)

(72) Inventor: **Chaorui Kuang**, Guangdong (CN)

(**) Term: **15 Years**

(21) Appl. No.: **29/804,455**

(22) Filed: **Aug. 20, 2021**

(51) **LOC (13) Cl.** **04-02**

(52) **U.S. Cl.**
USPC **D4/101; D4/110**

(58) **Field of Classification Search**
USPC D4/101, 102, 104, 114, 116, 118, 120,
D4/121, 125, 132, 134, 138, 100,
D4/105-113; D24/152, 176
CPC . A46B 5/00; A46B 5/0095; A46B 2200/1066;
A61C 17/16; A61C 17/221; A61C
17/222; A61C 17/225; A61C 17/0202;
A61C 17/34
See application file for complete search history.

(56) **References Cited**

U.S. PATENT DOCUMENTS

D388,958 S *	1/1998	Hartwein	D4/111
D453,996 S *	3/2002	Kling	D4/111
D489,534 S *	5/2004	Hensel	D4/111
D526,487 S *	8/2006	Chenvainu	D4/111
D579,664 S *	11/2008	Fisher	D4/111
D612,611 S *	3/2010	Brown, Jr.	D4/111
D689,698 S *	9/2013	Dickie	D4/111

D824,174 S *	7/2018	Altmann	D4/101
D830,699 S *	10/2018	Liu	D4/101
D854,834 S *	7/2019	Altmann	D4/111
10,470,858 B2 *	11/2019	Liu	A46B 15/0071
D902,600 S *	11/2020	Altmann	D4/101
D906,679 S *	1/2021	Yang	D4/101
D907,369 S *	1/2021	Yang	D4/101
D935,189 S *	11/2021	He	D4/101
D935,190 S *	11/2021	He	D4/101
D935,191 S *	11/2021	He	D4/101
D935,194 S *	11/2021	Yang	D4/110
D950,959 S *	5/2022	Liu	D4/101
D952,350 S *	5/2022	Altmann	D4/101
2013/0007968 A1 *	1/2013	Driesen	A61C 17/222 15/22.1

* cited by examiner

Primary Examiner — Rebekah A Caruso

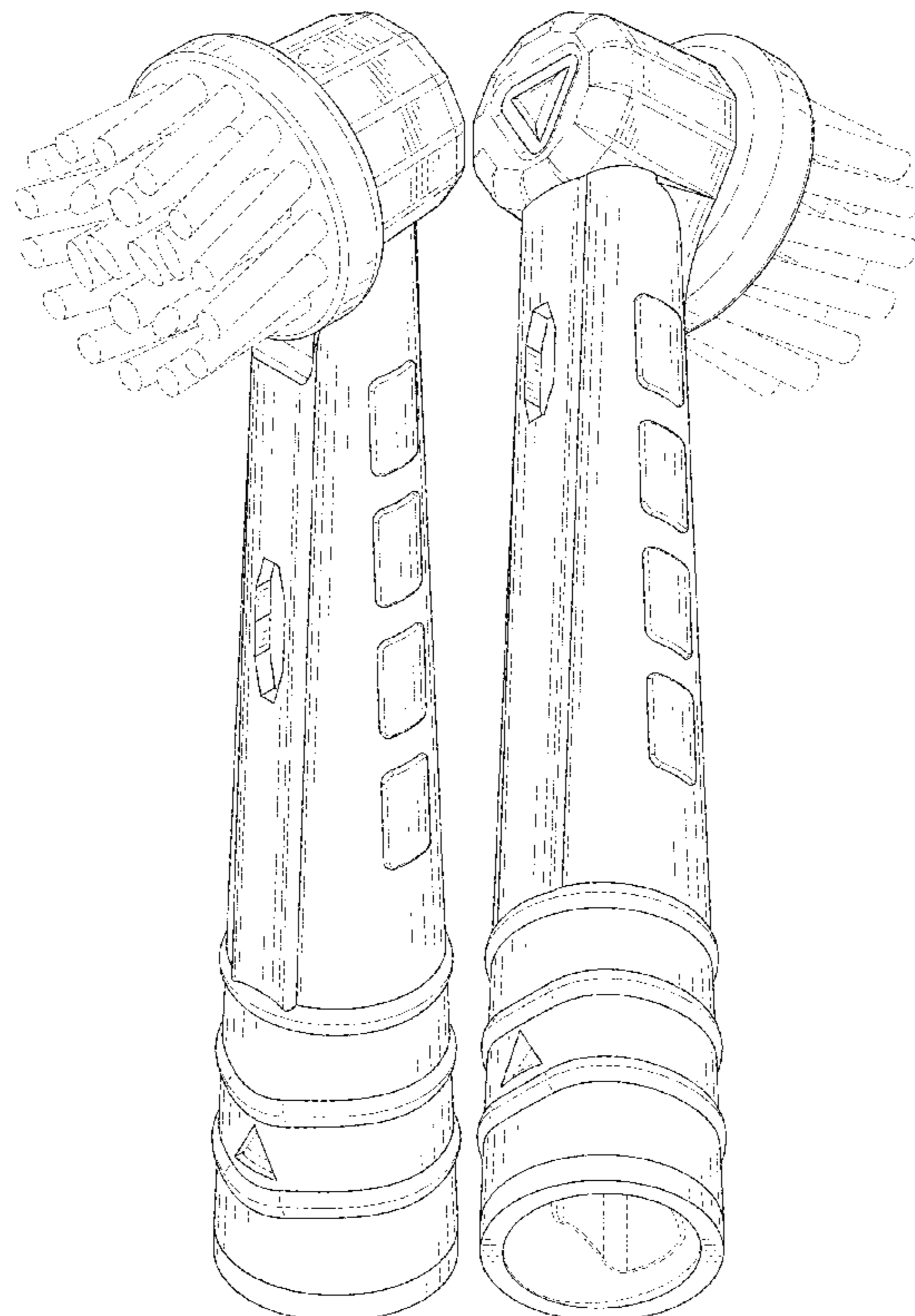
(57) **CLAIM**

The ornamental design for a toothbrush head, as shown and described.

DESCRIPTION

FIG. 1 is a front and top perspective view of a toothbrush head, showing my new design;
FIG. 2 is a rear and bottom perspective view thereof;
FIG. 3 is a front elevation view thereof;
FIG. 4 is a rear elevation view thereof;
FIG. 5 is a left side elevation view thereof;
FIG. 6 is a right side elevation view thereof;
FIG. 7 is a top plan view thereof; and,
FIG. 8 is a bottom plan view thereof.
The broken lines in the figures illustrate portions of the toothbrush head that form no part of the claimed design.

1 Claim, 8 Drawing Sheets



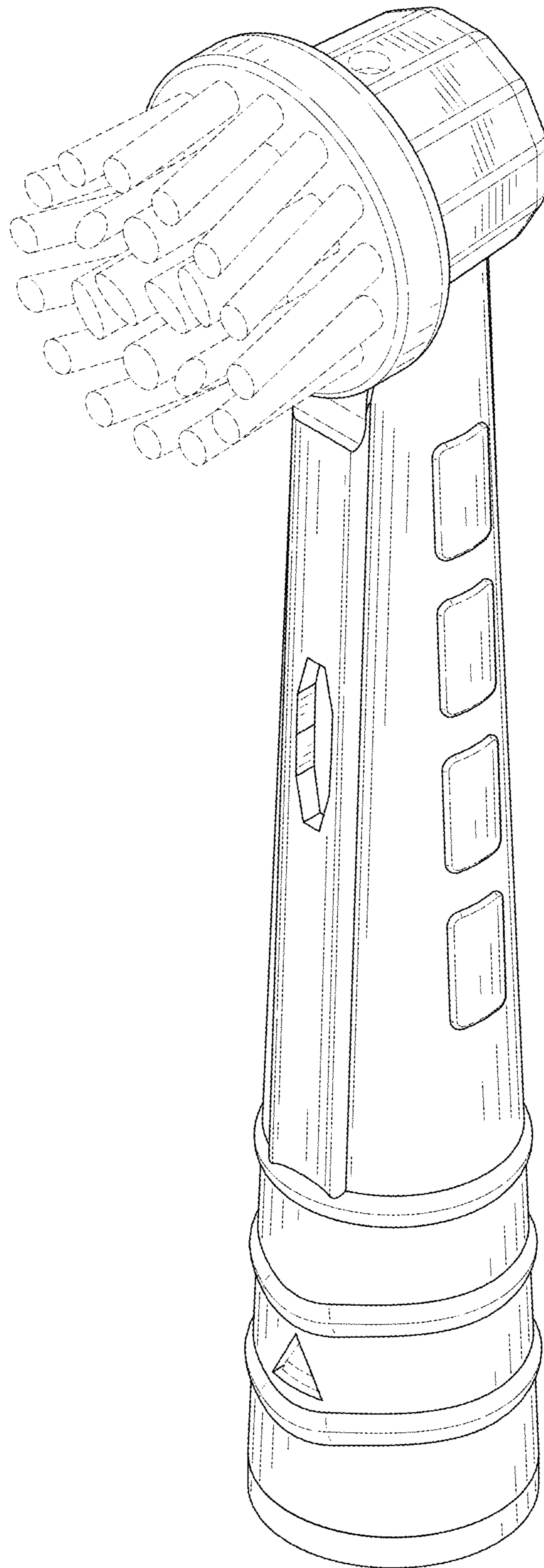


FIG. 1

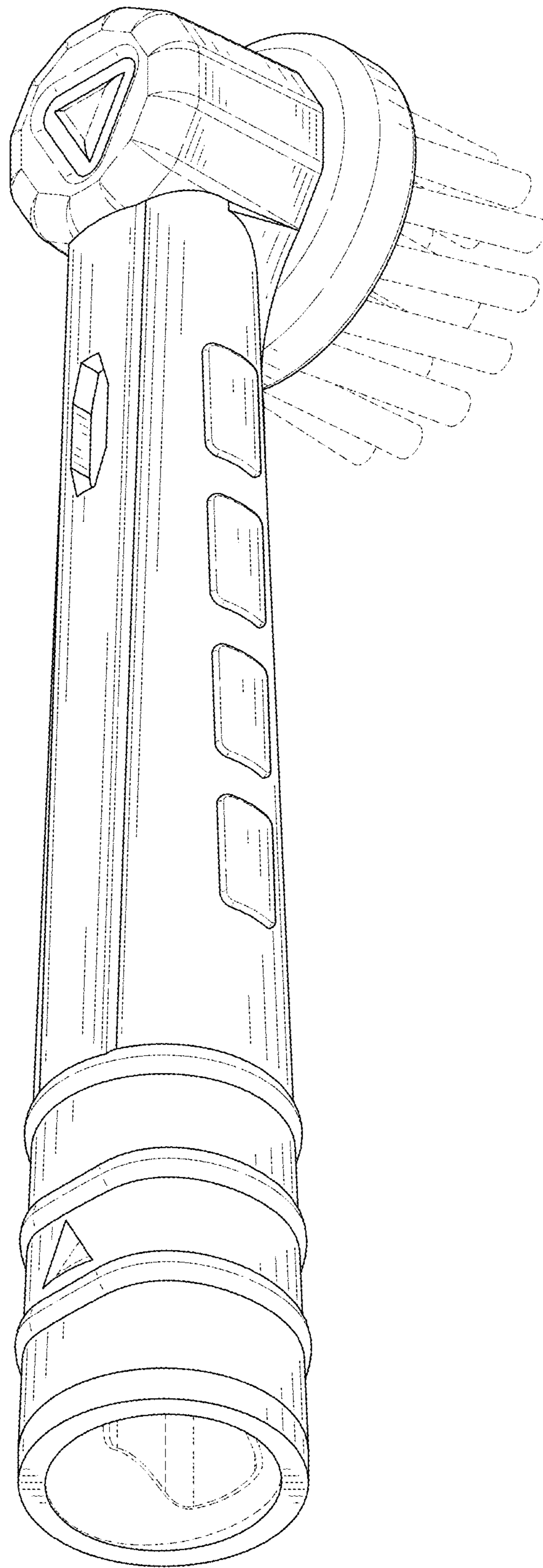


FIG. 2

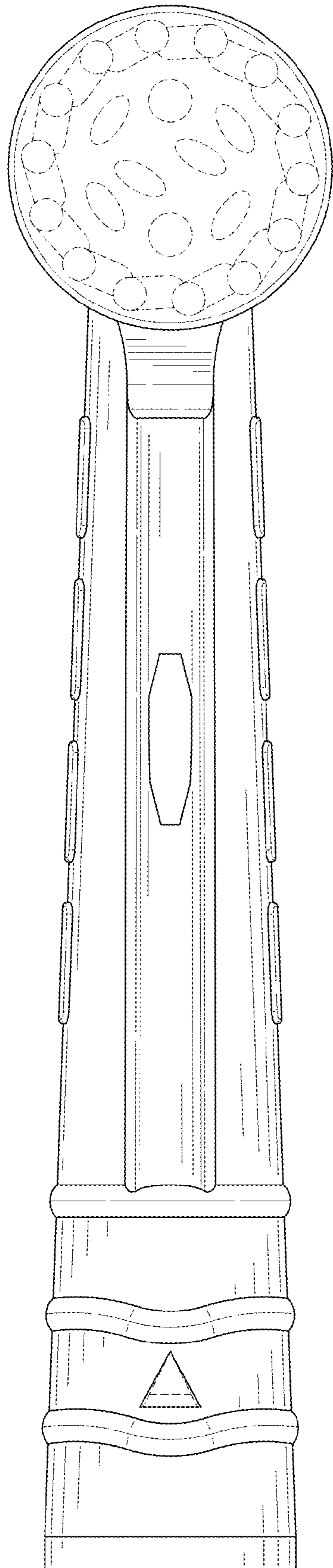


FIG. 3

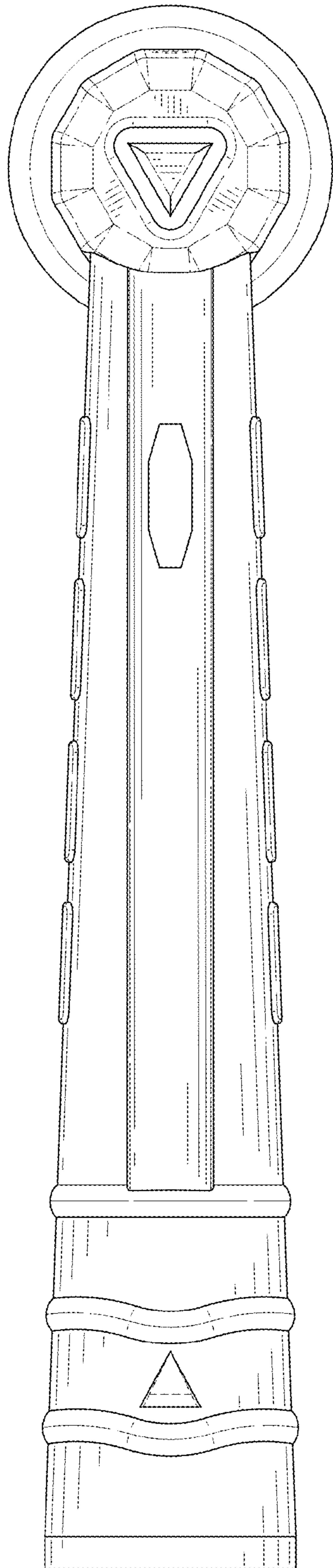


FIG. 4

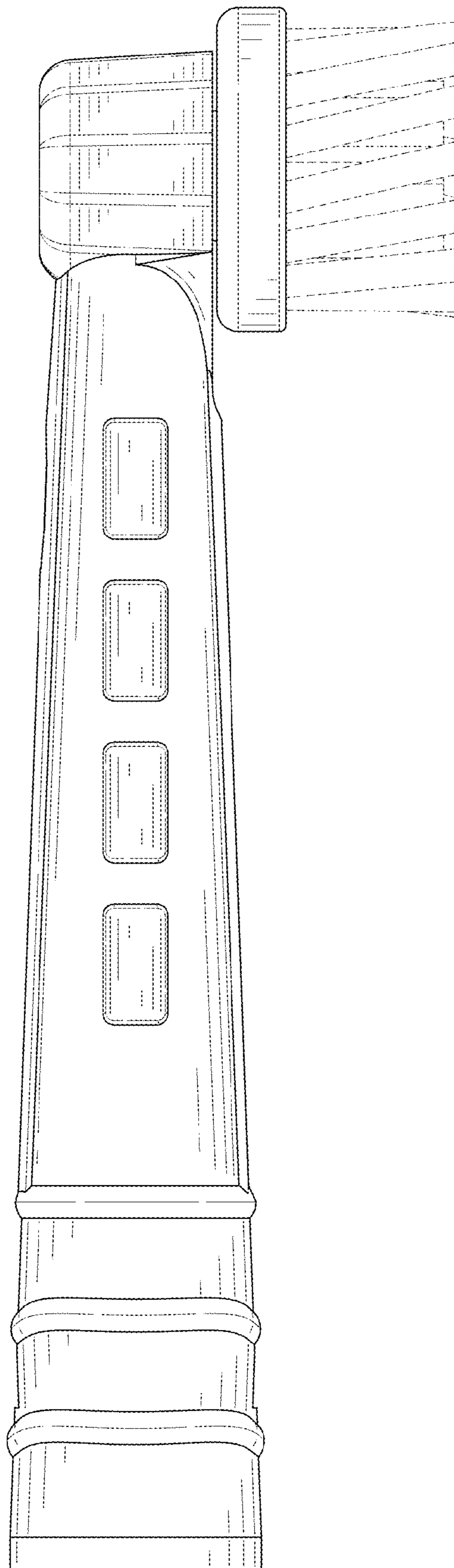


FIG. 5

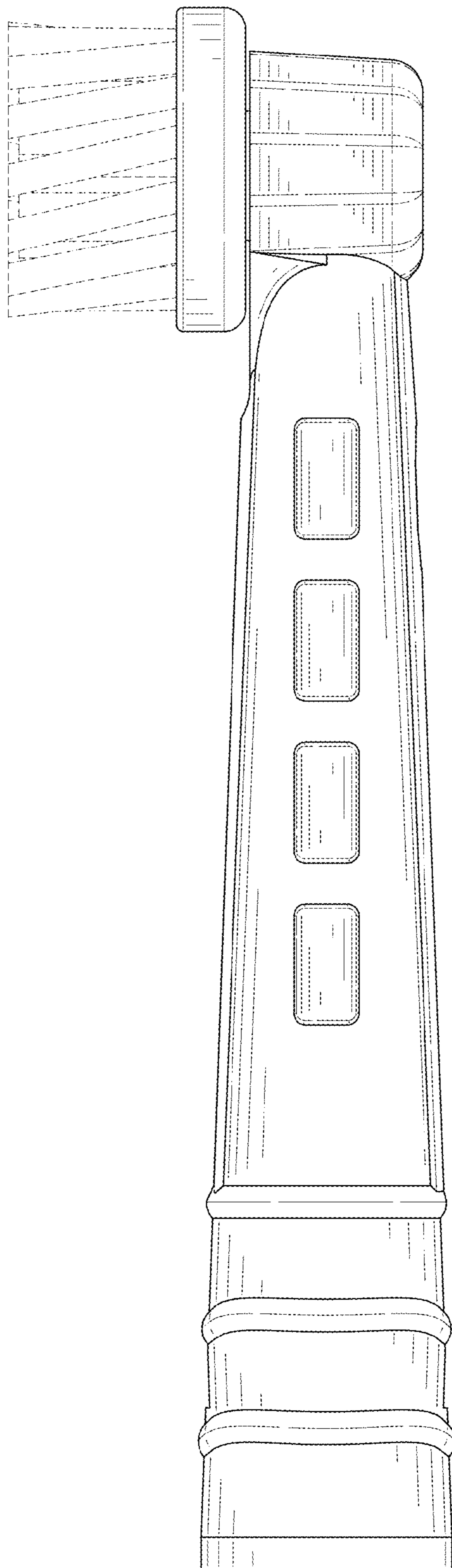


FIG. 6

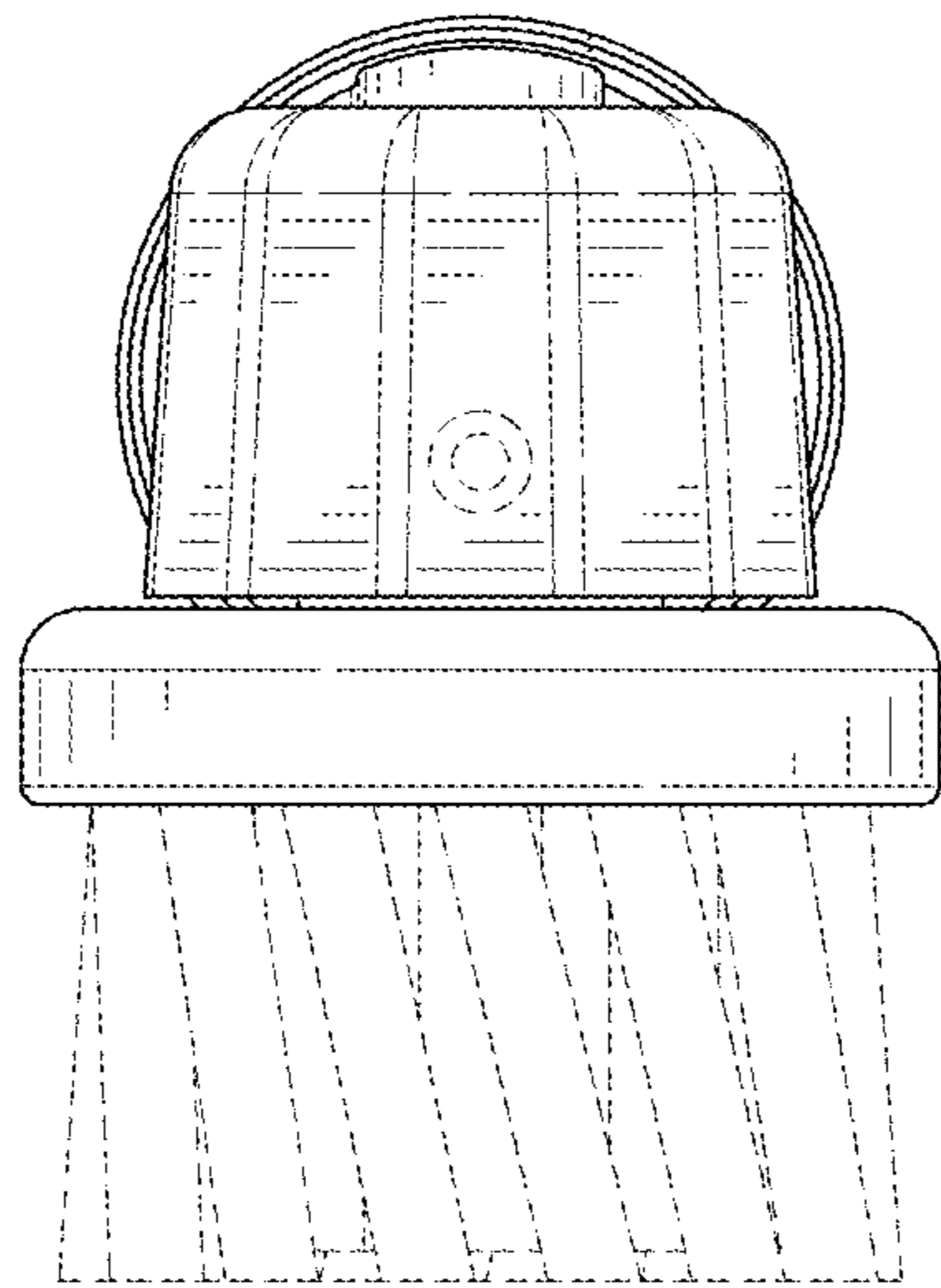


FIG. 7

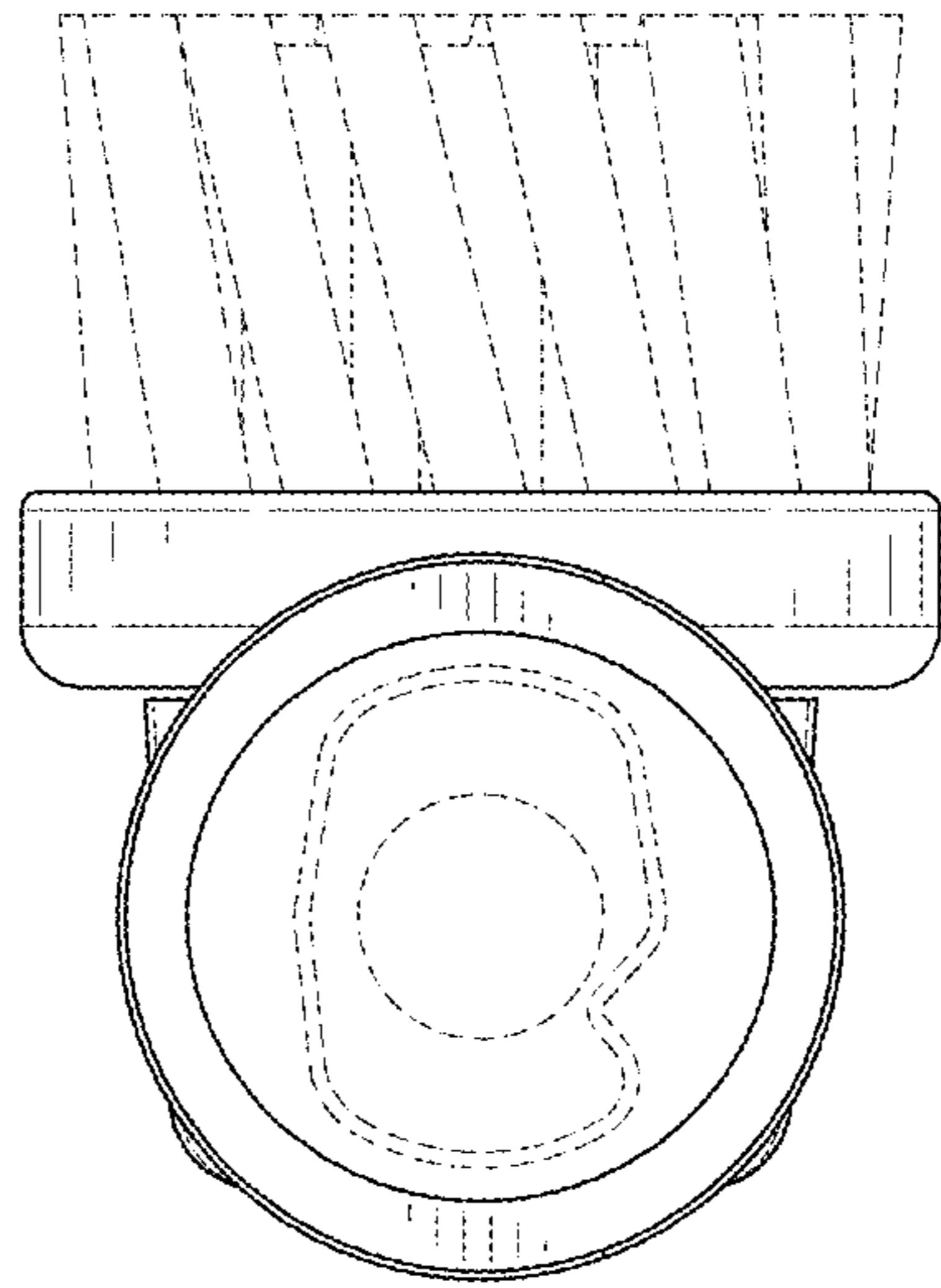


FIG. 8