



US00D971609S

(12) **United States Design Patent** (10) **Patent No.:** **US D971,609 S**
Takahashi et al. (45) **Date of Patent:** **** Dec. 6, 2022**

(54) **ELECTRIC TOOTHBRUSH**
 (71) Applicant: **Panasonic Intellectual Property Management Co., Ltd.**, Osaka (JP)
 (72) Inventors: **Gakuto Takahashi**, Osaka (JP);
Mikiyasu Ishikura, Osaka (JP);
Michael Shadovitz, Tokyo (JP)
 (73) Assignee: **PANASONIC INTELLECTUAL PROPERTY MANAGEMENT CO., LTD.**, Osaka (JP)

D696,517 S * 12/2013 Gebski D4/101
 D855,263 S * 7/2019 Raku D30/158
 D862,088 S * 10/2019 Walter D4/101
 D911,715 S * 3/2021 Kim D4/106
 D922,075 S * 6/2021 Yuan D4/101
 D930,364 S * 9/2021 Qiu D4/101

FOREIGN PATENT DOCUMENTS

CN 307341645 * 5/2022

* cited by examiner

Primary Examiner — George A Bugg

Assistant Examiner — Tamara L Hahn

(74) *Attorney, Agent, or Firm* — Crowell & Moring LLP

(**) Term: **15 Years**

(21) Appl. No.: **29/776,601**

(22) Filed: **Mar. 31, 2021**

(30) **Foreign Application Priority Data**

Oct. 9, 2020 (EM) 008197982-0001

(51) **LOC (13) Cl.** **04-02**

(52) **U.S. Cl.**
USPC **D4/101**

(58) **Field of Classification Search**
USPC D4/100, 101, 102, 103, 104, 107, 109,
D4/110, 111, 113, 127, 128, 129
CPC A46B 2200/1066; A46B 2200/1073; A46B
9/04; A46B 13/023; A46B 5/0095; A61C
17/16; A61C 17/222

See application file for complete search history.

(56) **References Cited**

U.S. PATENT DOCUMENTS

D580,173 S * 11/2008 Beedham D4/101
D619,368 S * 7/2010 Toshima D4/101

(57) **CLAIM**

We claim the ornamental design for an electric toothbrush, as shown and described.

DESCRIPTION

FIG. 1 is a perspective view of an electric toothbrush of the present invention;
 FIG. 2 is a front view thereof;
 FIG. 3 is a top view thereof;
 FIG. 4 is a bottom view thereof;
 FIG. 5 is a first side view thereof;
 FIG. 6 is a second side view thereof; and,
 FIG. 7 is a rear view thereof.

The broken lines in the drawings depict portions of the electric toothbrush that form no part of the claimed design.

1 Claim, 7 Drawing Sheets

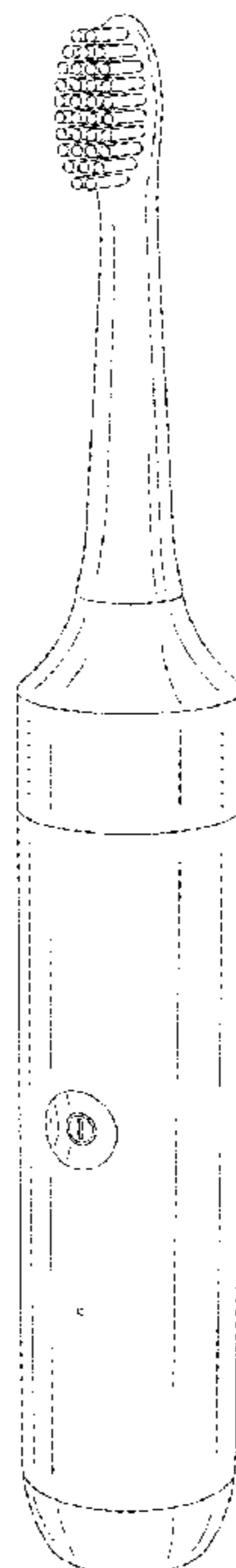


FIG. 1

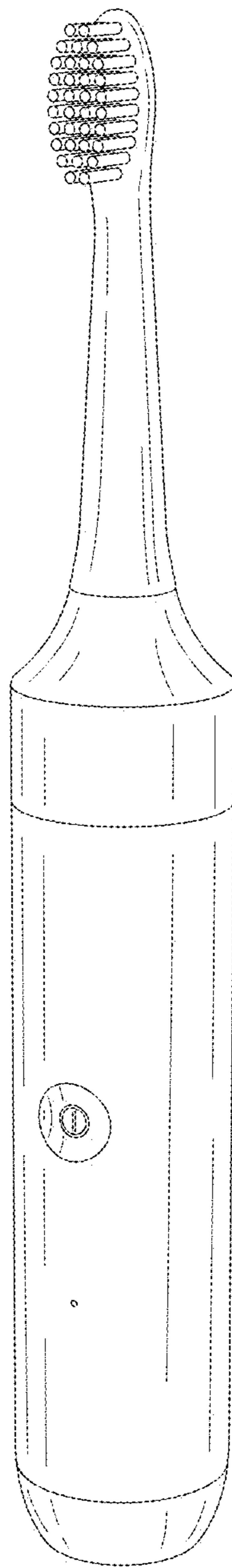


FIG. 2

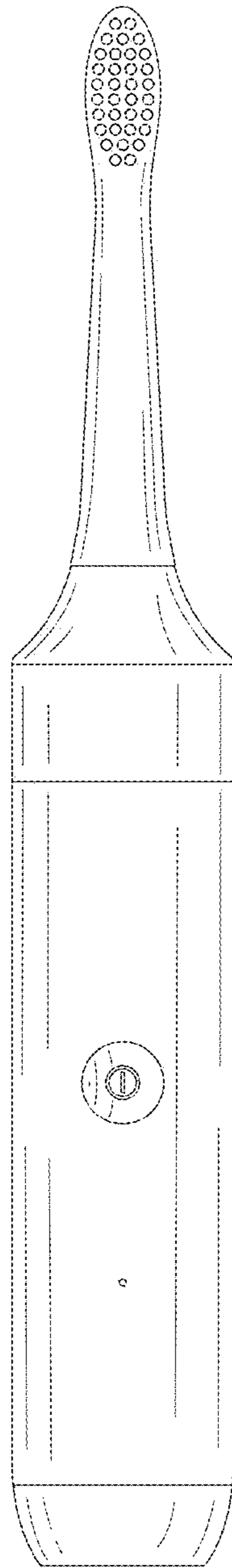


FIG. 3

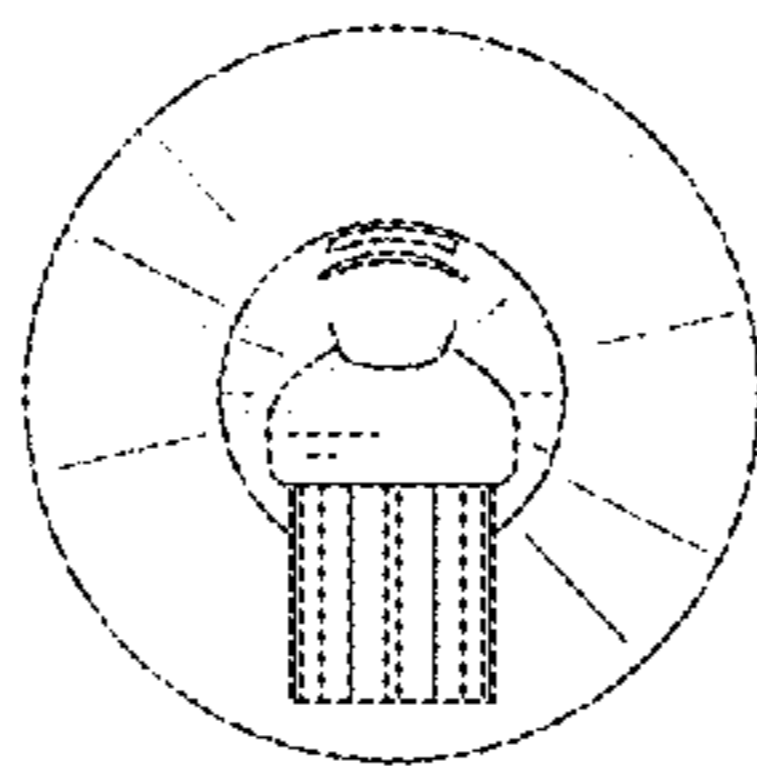


FIG. 4

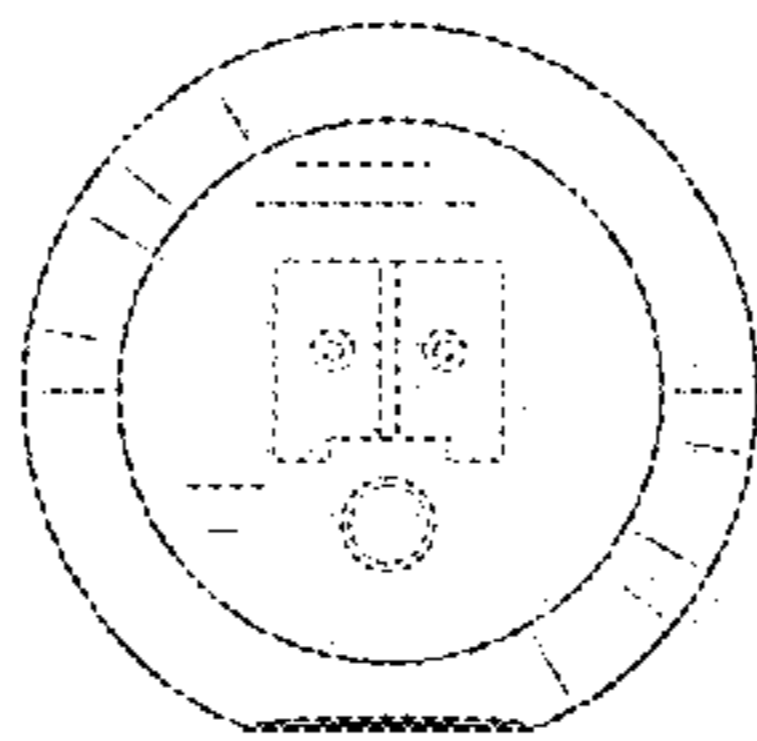


FIG. 5

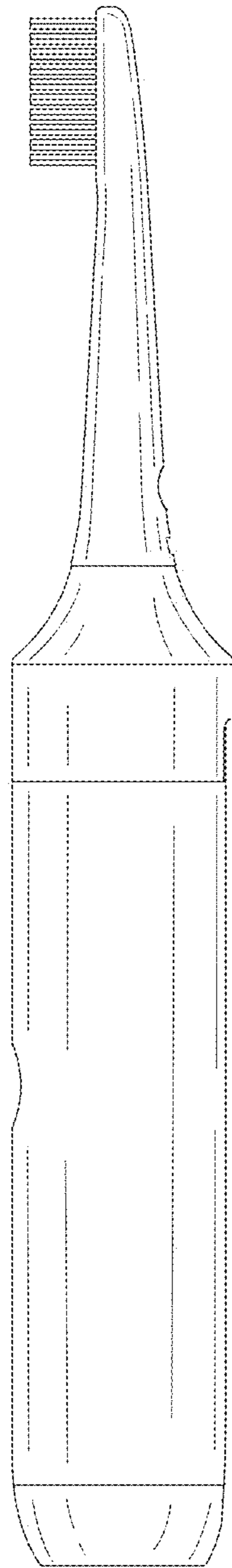


FIG. 6

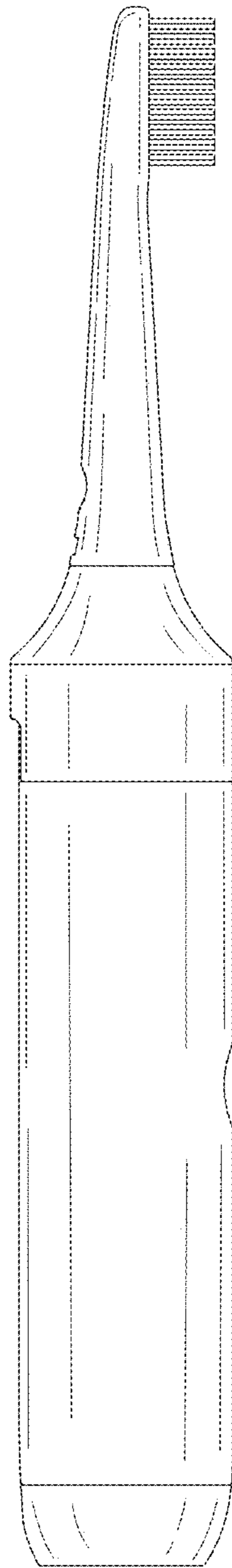


FIG. 7

