



US00D971608S

(12) **United States Design Patent** (10) **Patent No.:** **US D971,608 S**
Hohlbein et al. (45) **Date of Patent:** **** Dec. 6, 2022**

(54) **TOOTHBRUSH**

FOREIGN PATENT DOCUMENTS

(71) Applicant: **Colgate-Palmolive Company**, New York, NY (US)

CN 201920008 8/2011
EP 0580406 1/1994

(Continued)

(72) Inventors: **Douglas Hohlbein**, Hopewell, NJ (US);
Daniel Wainless, New Brunswick, NJ (US)

OTHER PUBLICATIONS

(73) Assignee: **Colgate-Palmolive Company**, New York, NY (US)

Amazon website, <https://www.amazon.com/Colgate-Toothbrush-BPA-Free-Teething-Toothpaste/dp/B07NV1V84X>, retrieved Nov. 21, 2019, pp. 1-6.

(**) Term: **15 Years**

(Continued)

(21) Appl. No.: **29/715,564**

Primary Examiner — Karen E Eldridge Powers

(22) Filed: **Dec. 3, 2019**

(57) **CLAIM**

(51) **LOC (13) Cl.** **28-03**

The ornamental design for a toothbrush, as shown and described.

(52) **U.S. Cl.**

USPC **D4/101**

(58) **Field of Classification Search**

USPC D4/100, 101, 104, 108, 109, 111, 113,
D4/114, 121, 127, 129, 130, 132, 134,
D4/138, 199, 105, 106, 107, 110, 112,
D4/116; D30/158, 159; D24/176
CPC A46B 5/02; A46B 2200/1066; A46B
2200/1073; A46B 2200/1086; A46D
1/0238

See application file for complete search history.

DESCRIPTION

FIG. 1 is a top, front, and left side perspective view of a toothbrush according to the new design;
FIG. 2 is a bottom, rear, and right side perspective view thereof;
FIG. 3 is a front elevation view thereof;
FIG. 4 is a rear elevation view thereof;
FIG. 5 is a left side elevation view thereof;
FIG. 6 is a right side elevation view thereof;
FIG. 7 is an enlarged top plan view thereof;
FIG. 8 is an enlarged plan bottom view thereof;
FIG. 9 is a close-up view of the dot-dash circled area of FIG. 1; and,
FIG. 10 is a close-up view of the dot-dash circled area of FIG. 5.

The dashed broken lines illustrate portions of the toothbrush that form no part of the claimed design. The dot-dash broken lines define the bounds of the claimed design and form no part thereof.

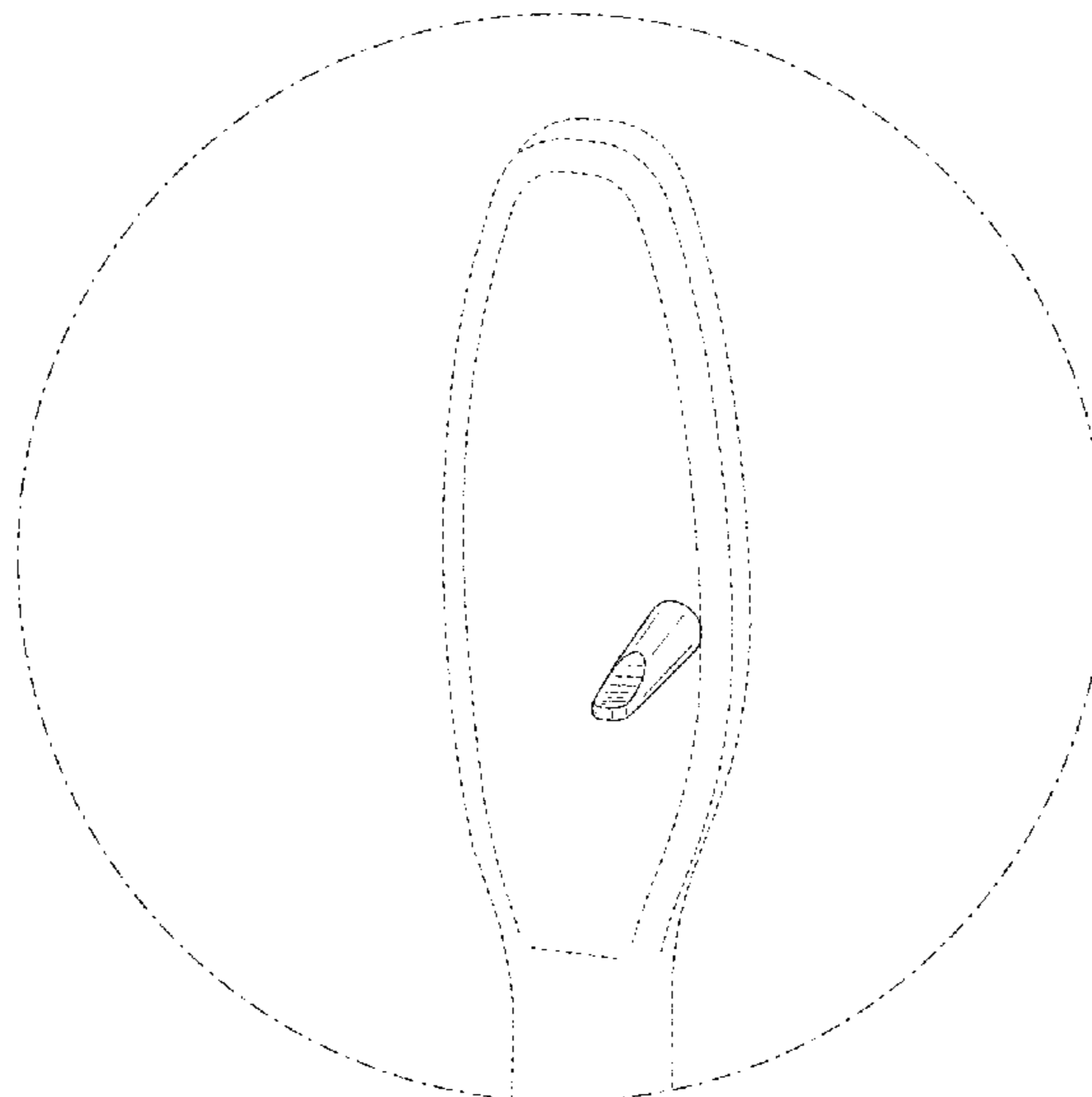
(56) **References Cited**

U.S. PATENT DOCUMENTS

D391,768 S * 3/1998 Moskovich D4/104
6,851,882 B1 2/2005 Maloney
D503,538 S * 4/2005 Desalvo A46B 15/0087
D4/104
D531,809 S * 11/2006 Li D4/104
7,383,619 B2 6/2008 Gross et al.
7,546,658 B2 * 6/2009 Koeth A46B 9/06
15/167.1
7,836,539 B2 11/2010 Moskovich et al.

(Continued)

1 Claim, 6 Drawing Sheets



(56)

References Cited

U.S. PATENT DOCUMENTS

7,941,886 B2 * 5/2011 Chenvainu A61C 17/22
15/22.4
8,016,364 B2 * 9/2011 Huber A46B 9/04
264/243
8,032,968 B2 * 10/2011 Ekercioğlu A46B 17/02
15/167.1
8,056,176 B2 * 11/2011 Claire-Zimmet A46B 9/06
601/142
8,484,789 B2 * 7/2013 Claire-Zimmet .. A61C 17/3481
601/142
8,578,544 B2 * 11/2013 Brown, Jr. A46B 9/025
15/201
D697,721 S * 1/2014 Xi D4/107
8,776,302 B2 * 7/2014 Baertschi A46B 9/04
15/167.1
9,011,032 B2 * 4/2015 Schlatter A46B 15/0087
401/268
D751,823 S * 3/2016 Radzwill D4/107
9,510,664 B2 12/2016 Wen et al.
9,731,427 B2 8/2017 Gratsias et al.
D819,975 S * 6/2018 Wong D4/110
10,226,118 B2 * 3/2019 Jimenez B29C 45/1676
D851,411 S 6/2019 Wainless et al.
10,470,858 B2 * 11/2019 Liu A46B 15/0071
10,925,384 B2 * 2/2021 Hohlbein C08L 23/142
2009/0106919 A1 * 4/2009 Montgomery A46B 7/04
15/144.3
2009/0162130 A1 * 6/2009 Miyazaki A61Q 1/04
401/143
2014/0173853 A1 6/2014 Kirchofer et al.

2015/0313350 A1 11/2015 Hohlbein
2019/0313779 A1 10/2019 Hohlbein et al.
2021/0161282 A1* 6/2021 Hohlbein A46B 9/005
2021/0161283 A1* 6/2021 Hohlbein A46B 3/22
2021/0169207 A1* 6/2021 Wong A46B 5/026

FOREIGN PATENT DOCUMENTS

JP	D1549167	5/2016
KR	3003140940000	12/2002
WO	1997/10938	3/1997
WO	2011/075133	6/2011
WO	2013/078360	5/2013
WO	2014/153747	10/2014

OTHER PUBLICATIONS

Cook's Illustrated website, <https://www.cooksillustrated.com/articles/1508-testing-bottle-brushes>, retrieved Nov. 21, 2019, pp. 1-8.
Electric Teeth website, <https://www.electriceeth.com/best-baby-toothbrush/>, retrieved Nov. 21, 2019, pp. 1-39.
Global Rakuten website, <https://global.rakuten.com/en/store/iihada/item/0512/>, retrieved Nov. 21, 2019, pp. 1-8.
Kapemvun, Sophia (May 7, 2019), "3 Homemade Garden Sprays You Can't Do Without," <http://kapemvun.info/3-homemade-garden-sprays-you-cant-do-without/>, retrieved Nov. 21, 2019, pp. 1-6.
Riteaid website, <https://www.riteaid.com/shop/oral-b-pro-health-clinical-pro-flex-toothbrushes-soft-s-value-pack-2-toothbrushes-0349017>, retrieved Nov. 21, 2019, pp. 1-5.
Star Solutions website, <https://starsolutions.vn/en/hotel-amenities/toothbrush-bc-63/>, retrieved Nov. 21, 2019, pp. 1-6.

* cited by examiner

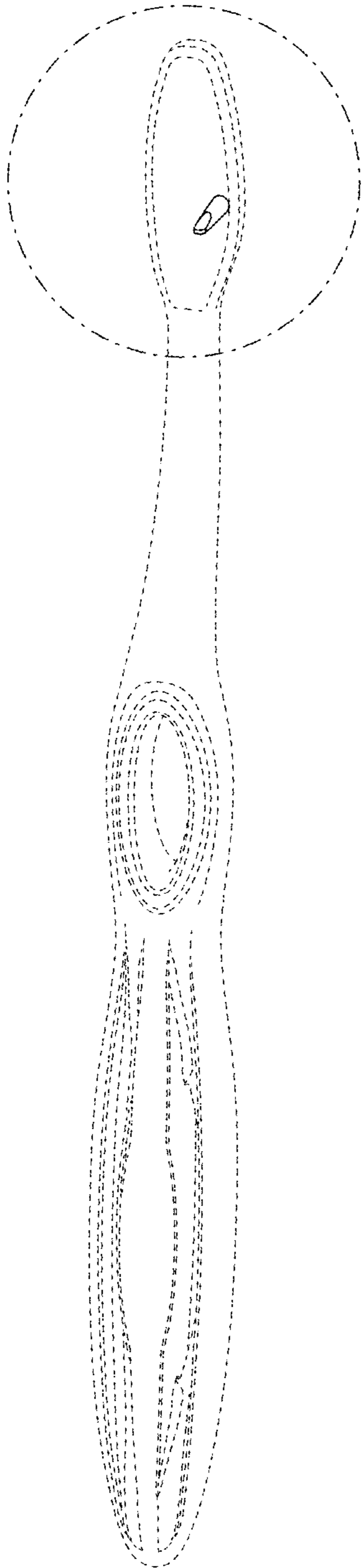


FIG. 1

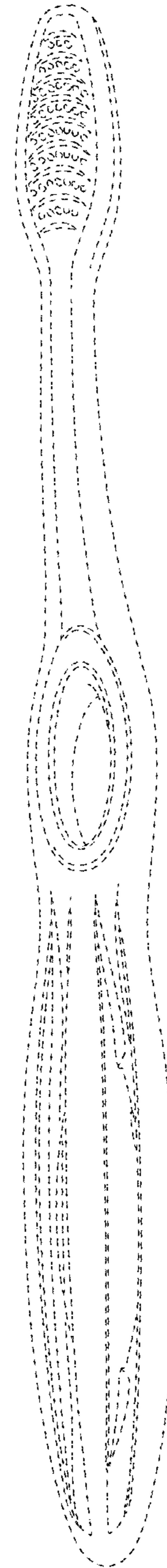


FIG. 2



FIG. 3

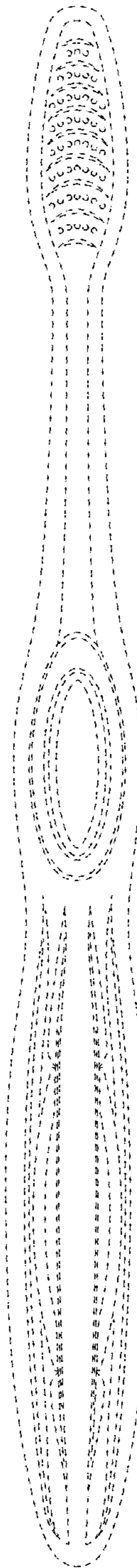


FIG. 4

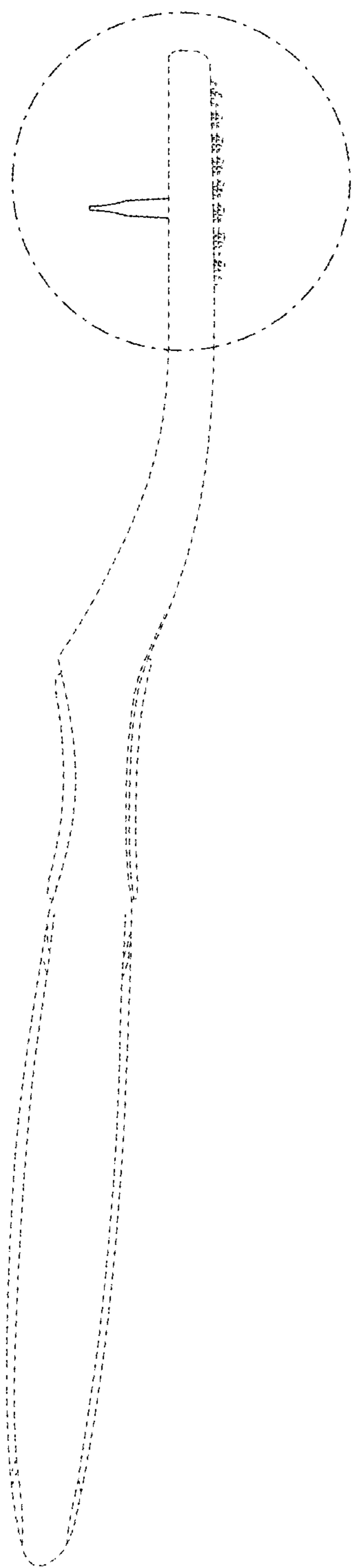


FIG. 5

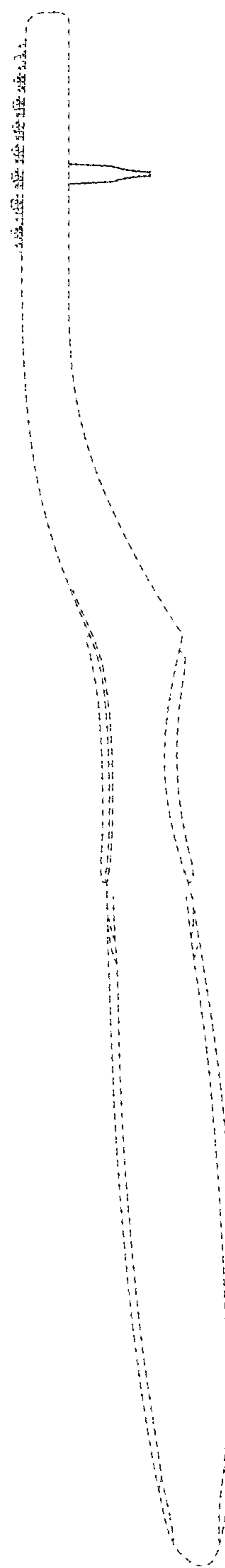


FIG. 6

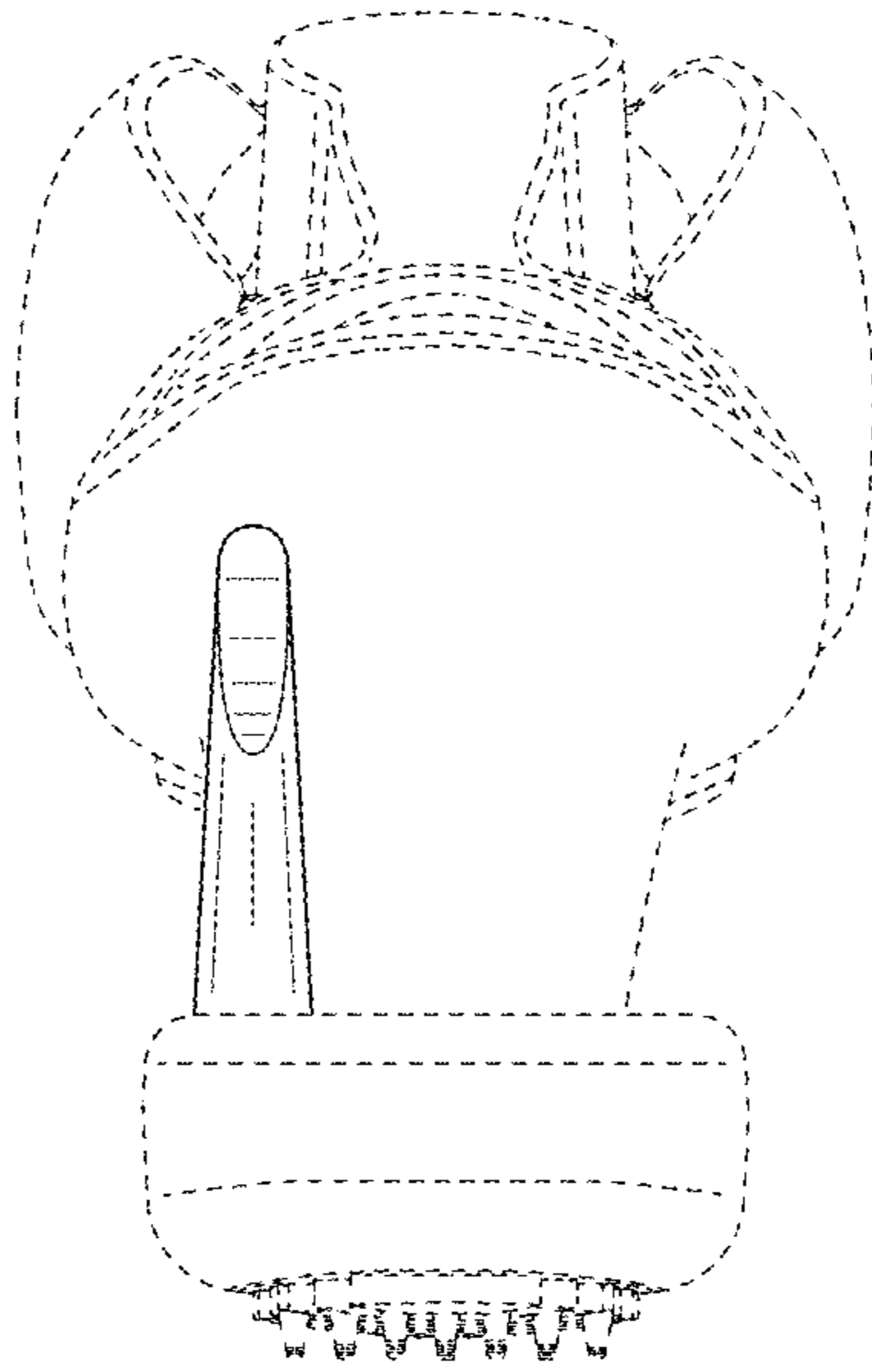


FIG. 7

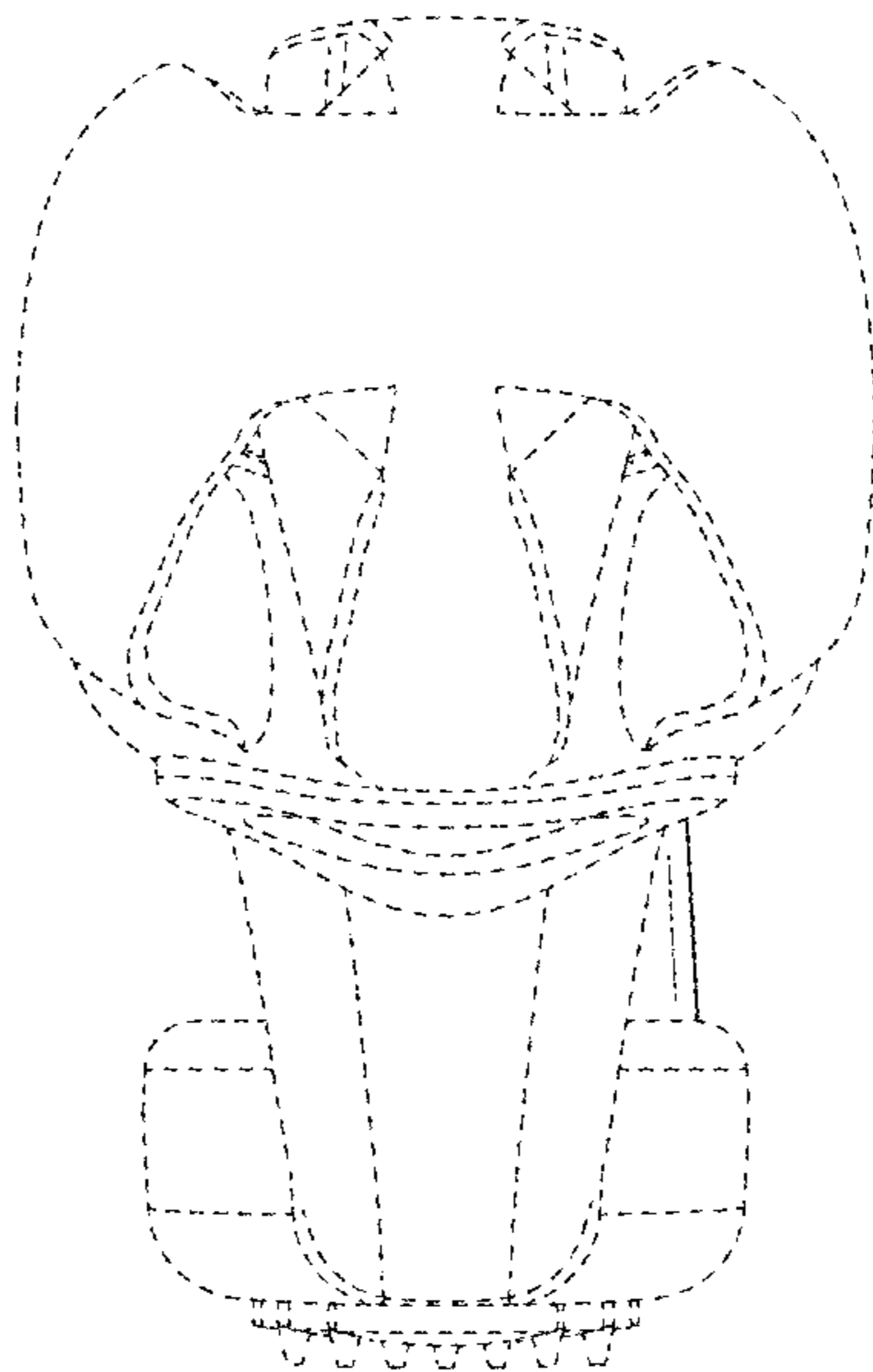


FIG. 8

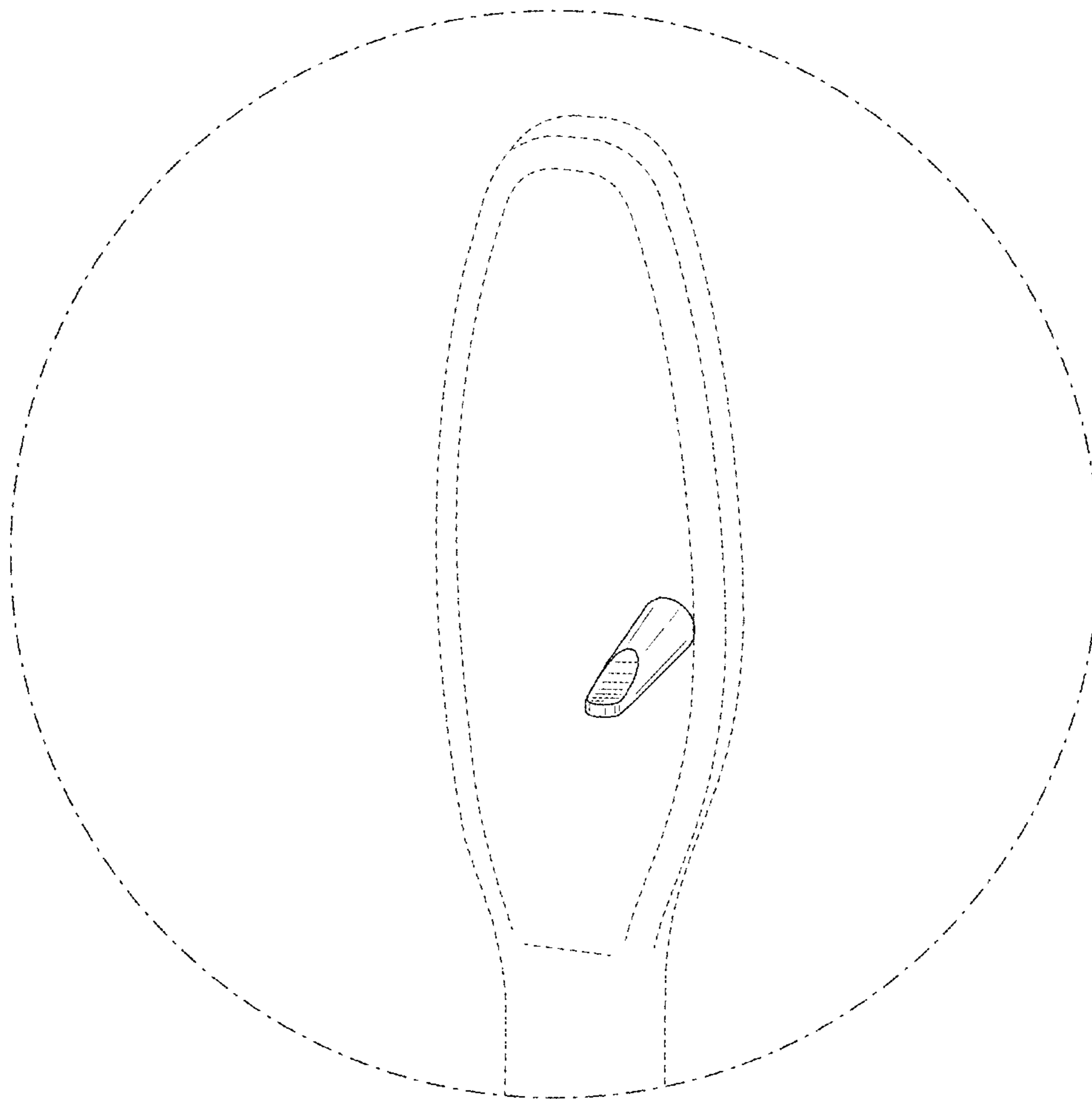


FIG. 9

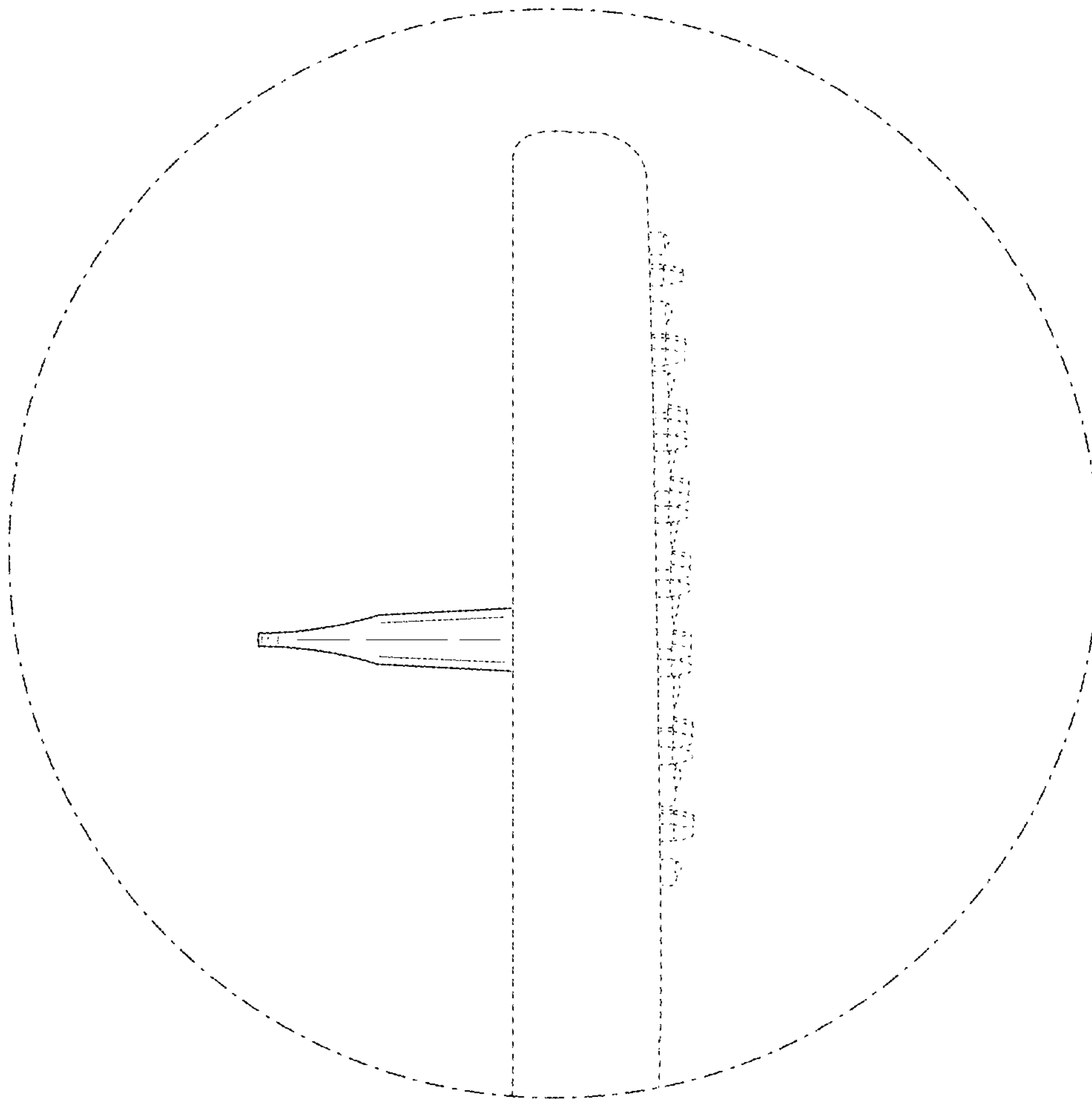


FIG. 10