



US00D971603S

(12) **United States Design Patent** (10) **Patent No.:** **US D971,603 S**  
**Luo** (45) **Date of Patent:** **\*\* Dec. 6, 2022**

(54) **PROTECTIVE CASE FOR EARPHONE**

OTHER PUBLICATIONS

(71) Applicant: **JIULAI (SHENZHEN) TECHNOLOGY CO., LTD.**, Shenzhen (CN)

Amazon, "Koaichi Compatible with AirPods 3rd Generation Case . . . ", First on sale Dec. 7, 2021. (<https://www.amazon.com/Koaichi-Compatible-Generation-Protective-Registered/dp/B09N6TYBJF?th=1>) (Year: 2021).\*

(72) Inventor: **Song Luo**, Huanggang (CN)

\* cited by examiner

(73) Assignee: **JIULAI (SHENZHEN) TECHNOLOGY CO., LTD.**, Shenzhen (CN)

*Primary Examiner* — April Rivas

(\*\*) Term: **15 Years**

(57) **CLAIM**

(21) Appl. No.: **29/824,941**

The ornamental design for a protective case for earphone, as shown and described.

(22) Filed: **Jan. 27, 2022**

**DESCRIPTION**

(51) **LOC (13) Cl.** ..... **03-01**

(52) **U.S. Cl.**  
USPC ..... **D3/302**; D13/118; D14/223

(58) **Field of Classification Search**  
USPC ..... D3/201, 208, 212, 218, 273, 274, 294, D3/302, 300; D13/108, 118; D14/223, D14/496  
CPC ..... A45C 2011/001; H04R 1/1025  
See application file for complete search history.

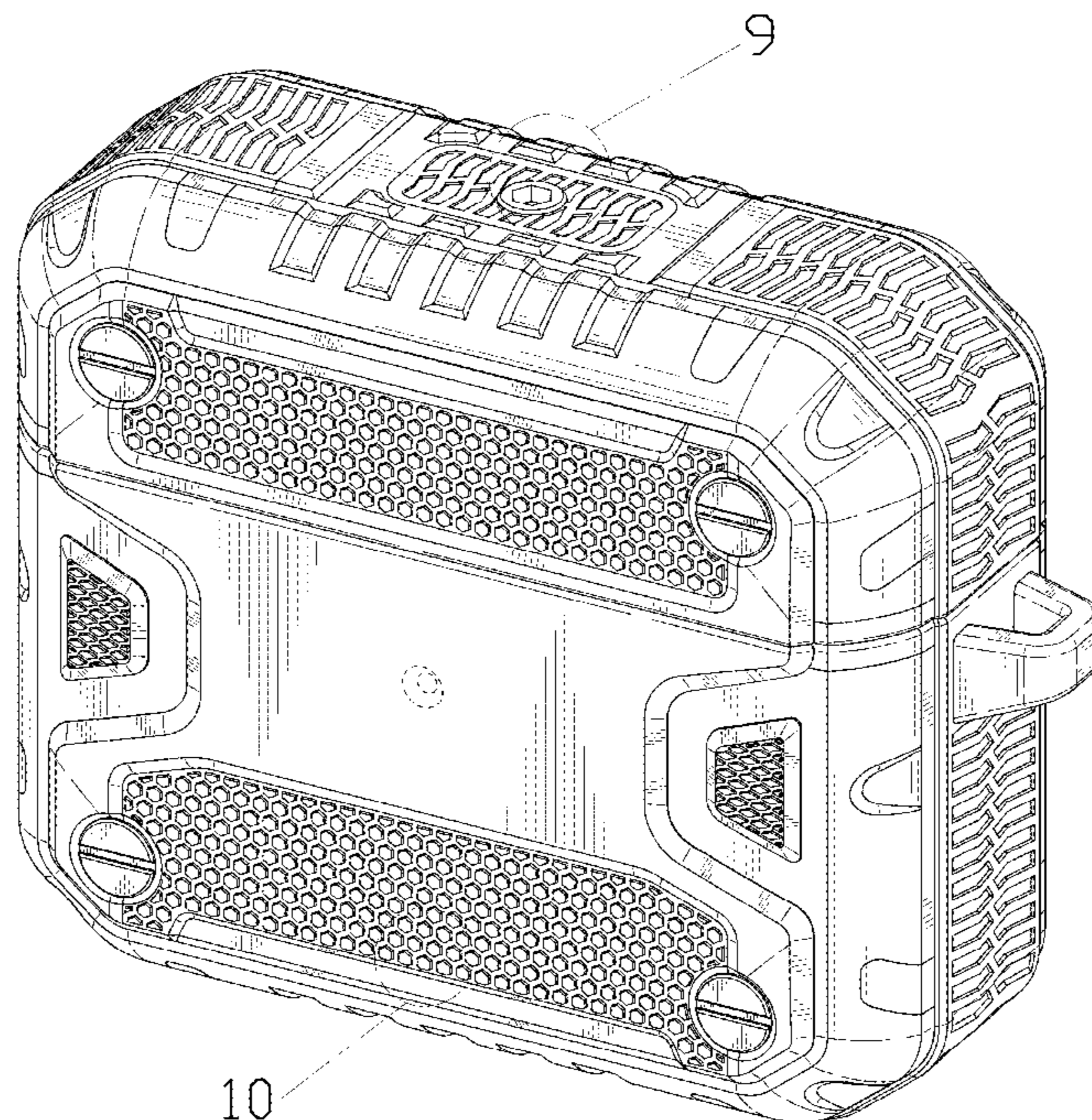
FIG. 1 is a front perspective view of a protective case for earphone showing my new design; FIG. 2 is a rear perspective view thereof; FIG. 3 is a front elevational view thereof; FIG. 4 is a rear elevational view thereof; FIG. 5 is a left side elevational view thereof; FIG. 6 is a right side elevational view thereof; FIG. 7 is a top plan view thereof; FIG. 8 is a bottom plan view thereof; FIG. 9 is an enlarged view of portion 9 shown in FIG. 1; FIG. 10 is an enlarged view of portion 10 shown in FIG. 1; FIG. 11 is an enlarged view of portion 11 shown in FIG. 2; and, FIG. 12 is an enlarged view of portion 12 shown in FIG. 2. The dash-dash broken lines in the drawings depict portions of the protective case for earphone that form no part of the claimed design. The dot-dash broken lines represent boundaries of the enlarged portions and form no part of the claimed design.

(56) **References Cited**

U.S. PATENT DOCUMENTS

D886,445 S	*	6/2020	Hyun	.....	D3/273
D895,287 S	*	9/2020	Hyun	.....	D13/103
D895,288 S	*	9/2020	Hyun	.....	D13/103
D902,854 S		11/2020	Feng		
D904,765 S	*	12/2020	Hyun	.....	D13/103
D912,390 S	*	3/2021	Hyun	.....	D3/273
D935,180 S	*	11/2021	Zhang	.....	D14/440
D959,831 S	*	8/2022	Feng	.....	D3/294
D960,577 S	*	8/2022	Weng	.....	D3/215

**1 Claim, 12 Drawing Sheets**



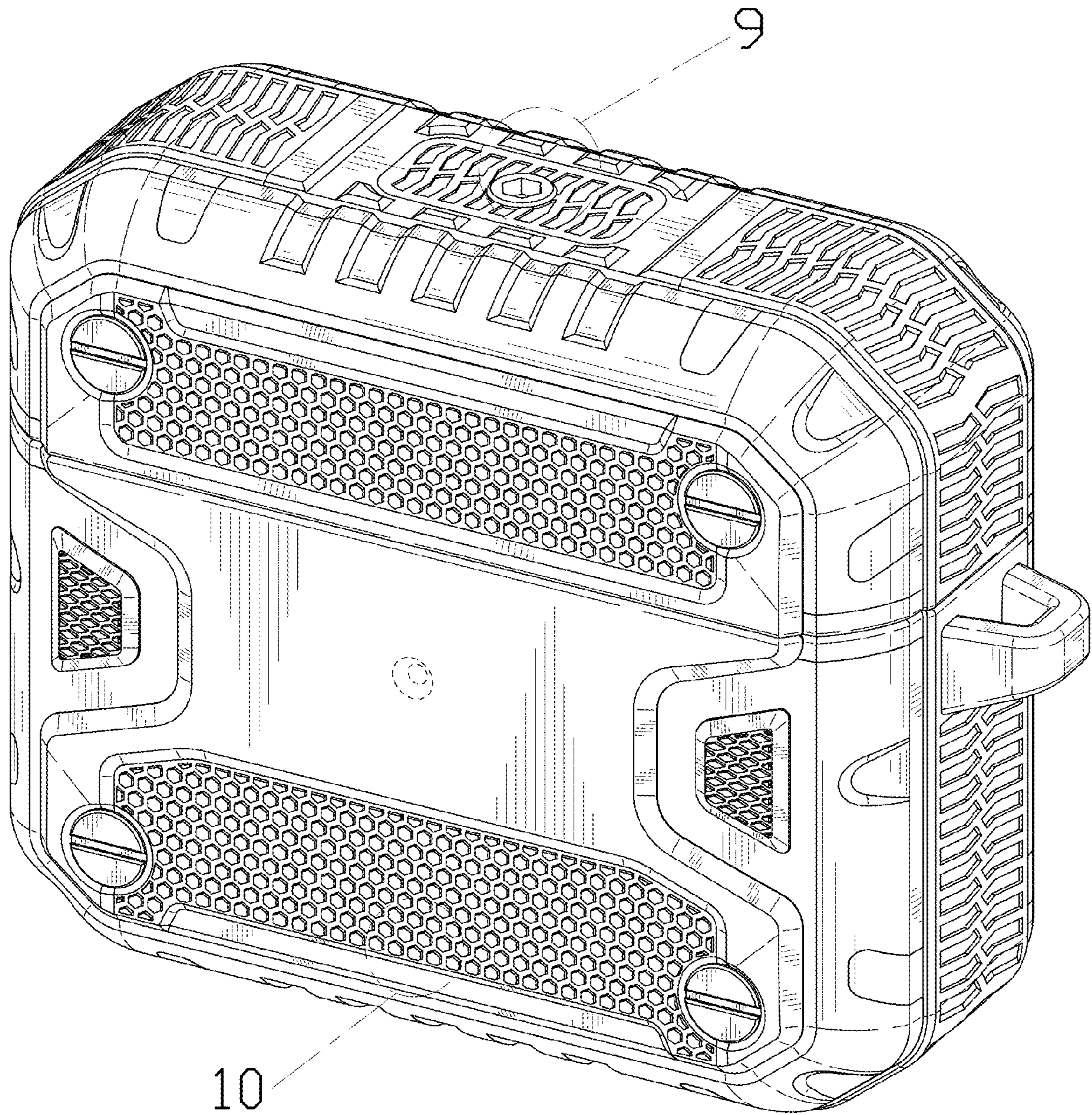


FIG. 1

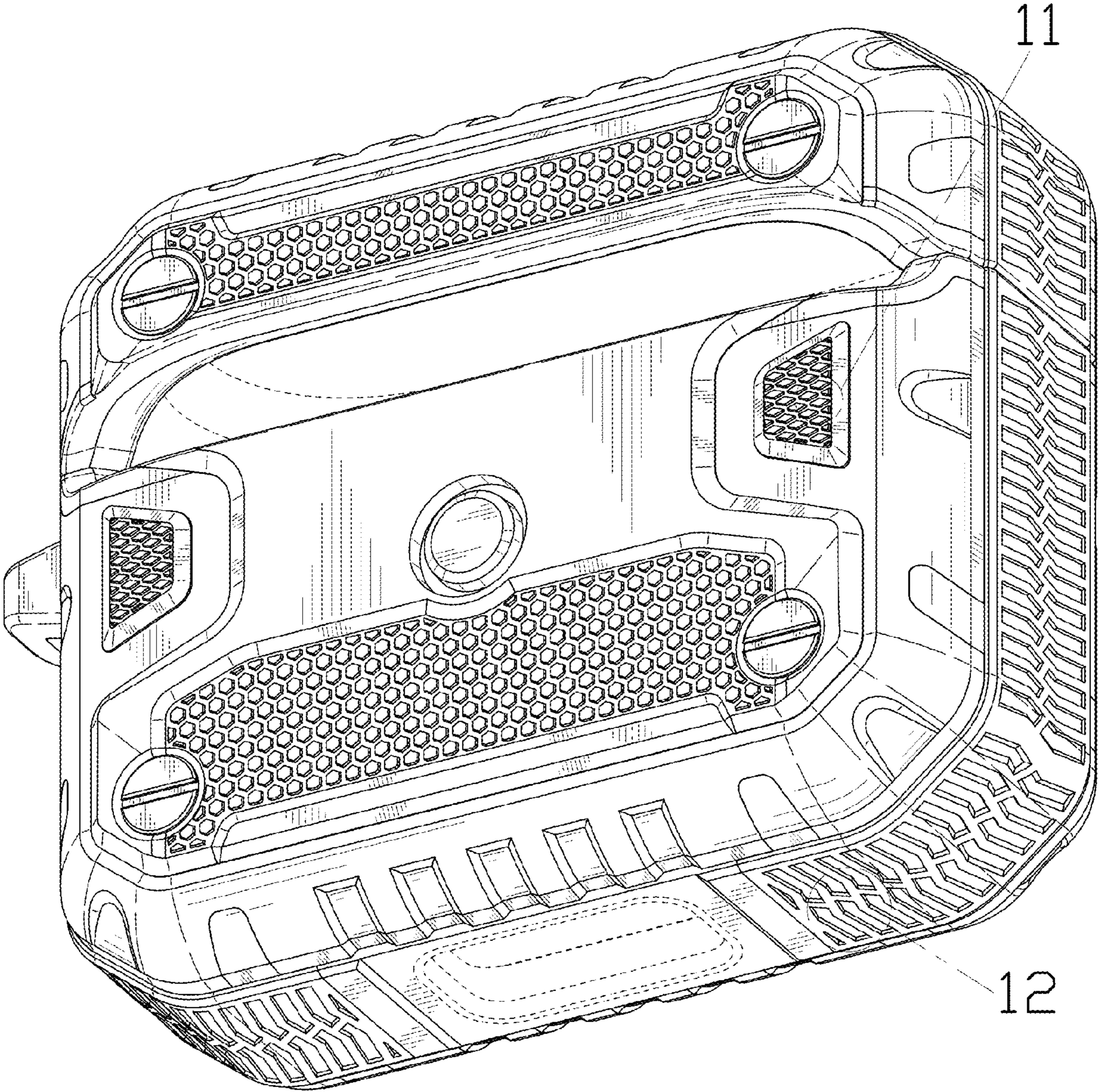


FIG. 2

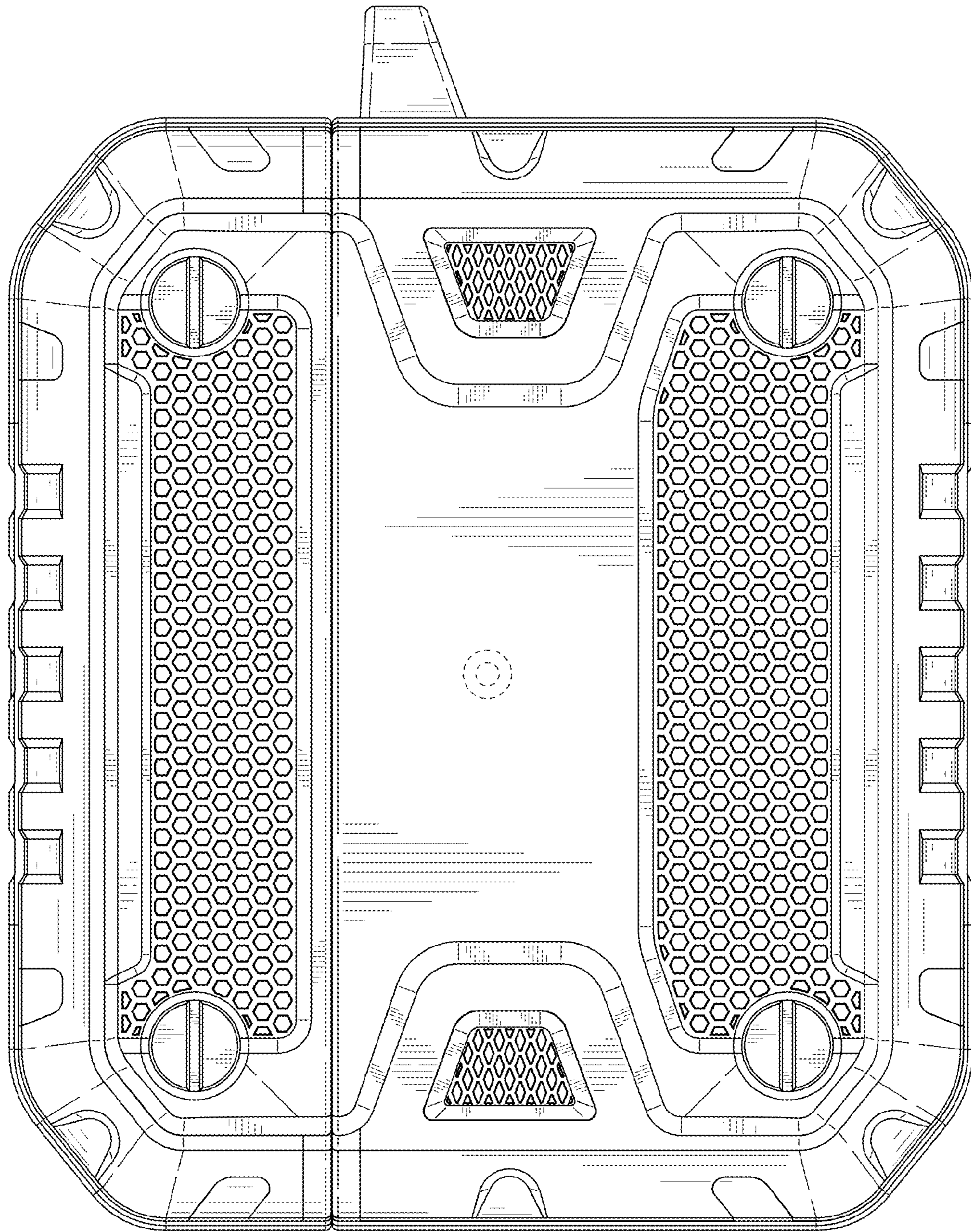


FIG. 3

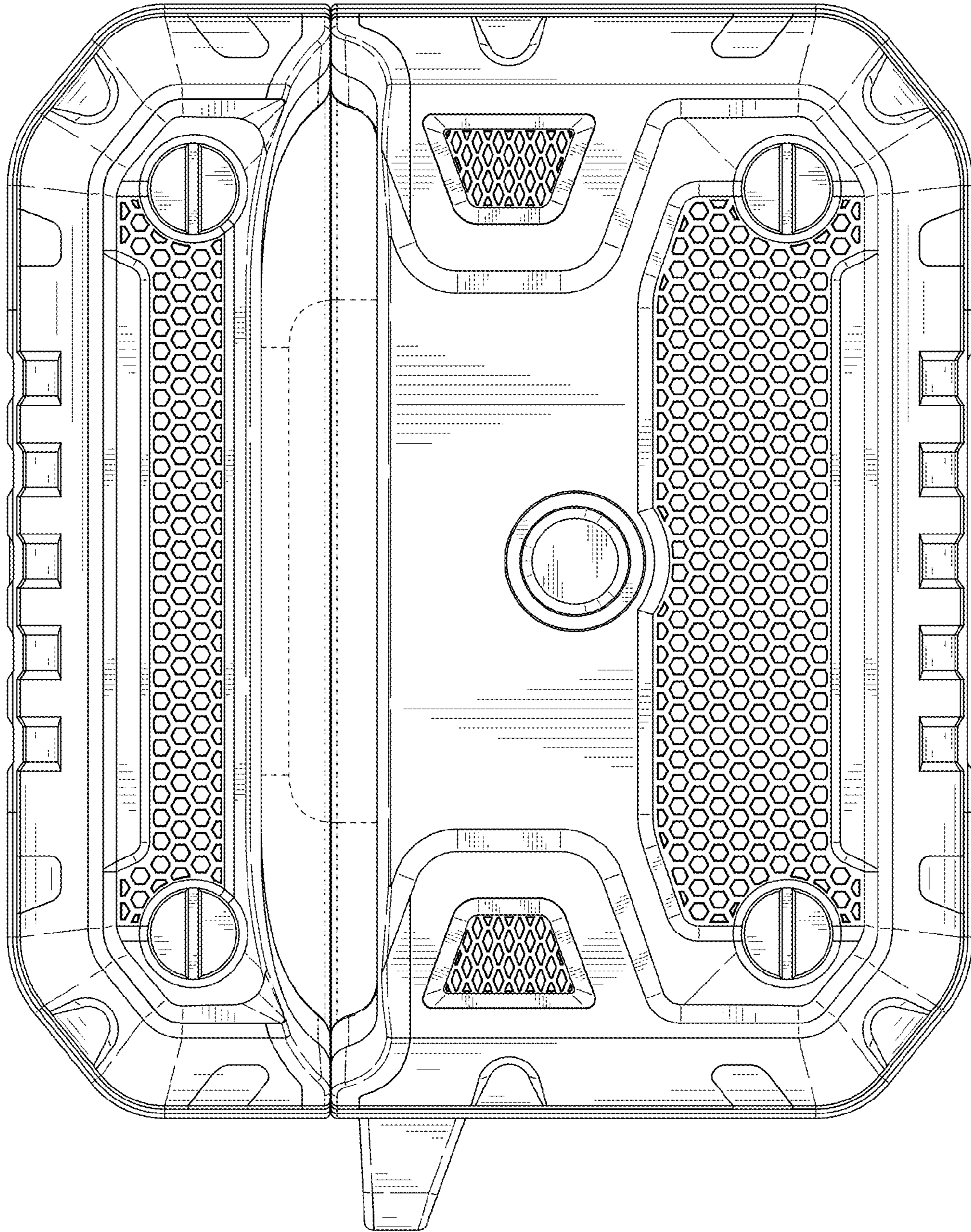


FIG. 4

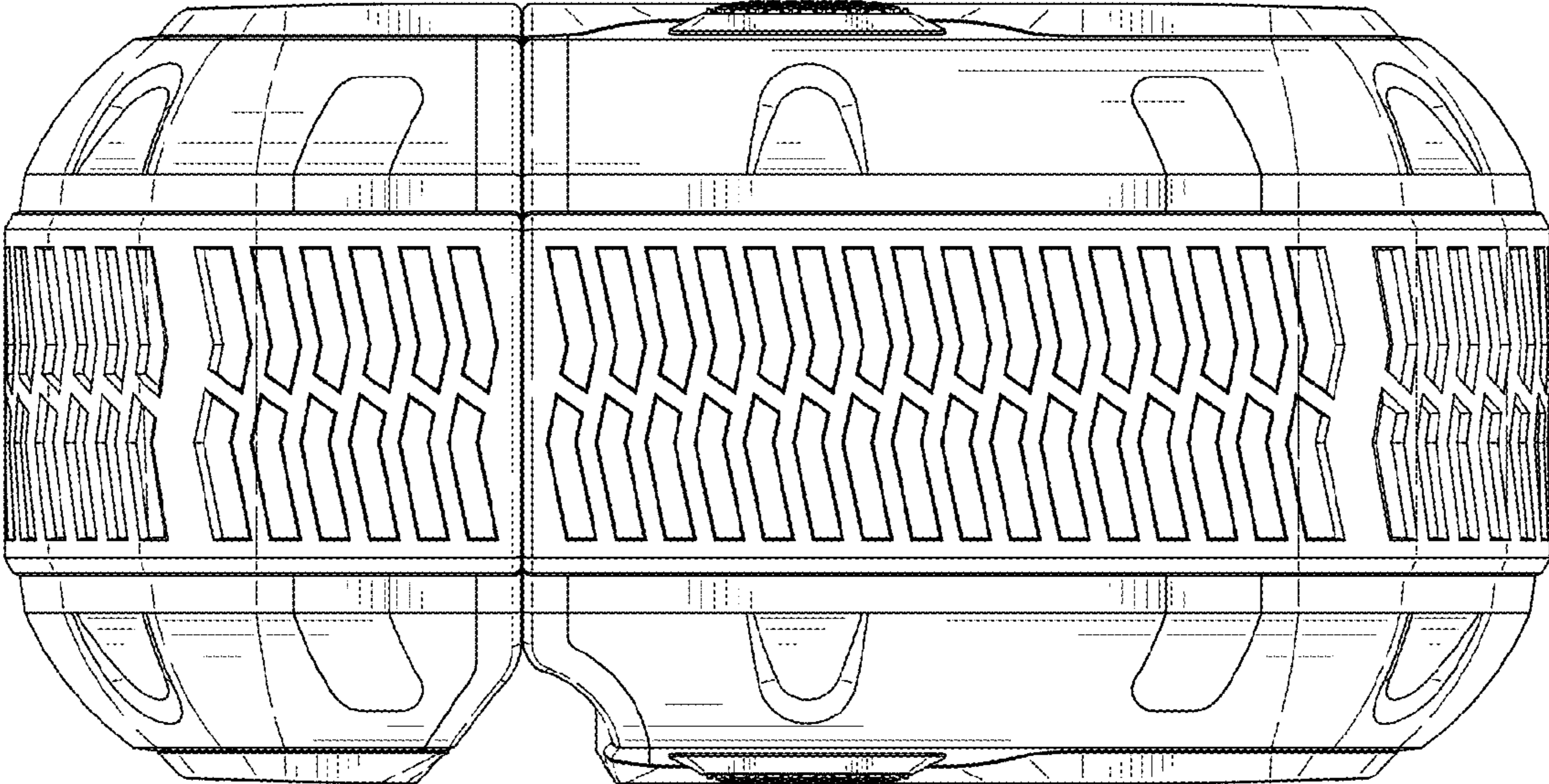


FIG. 5

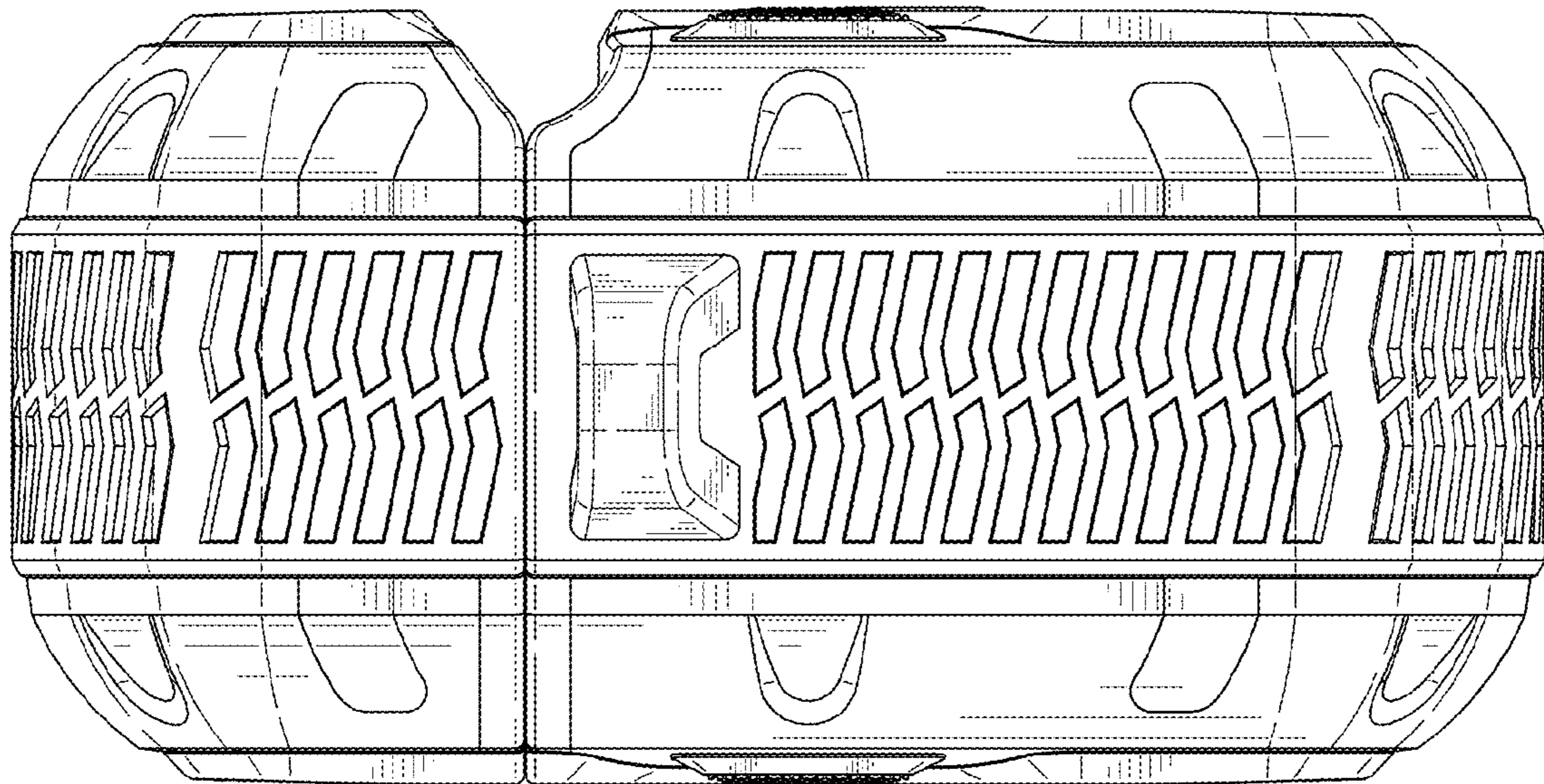


FIG. 6

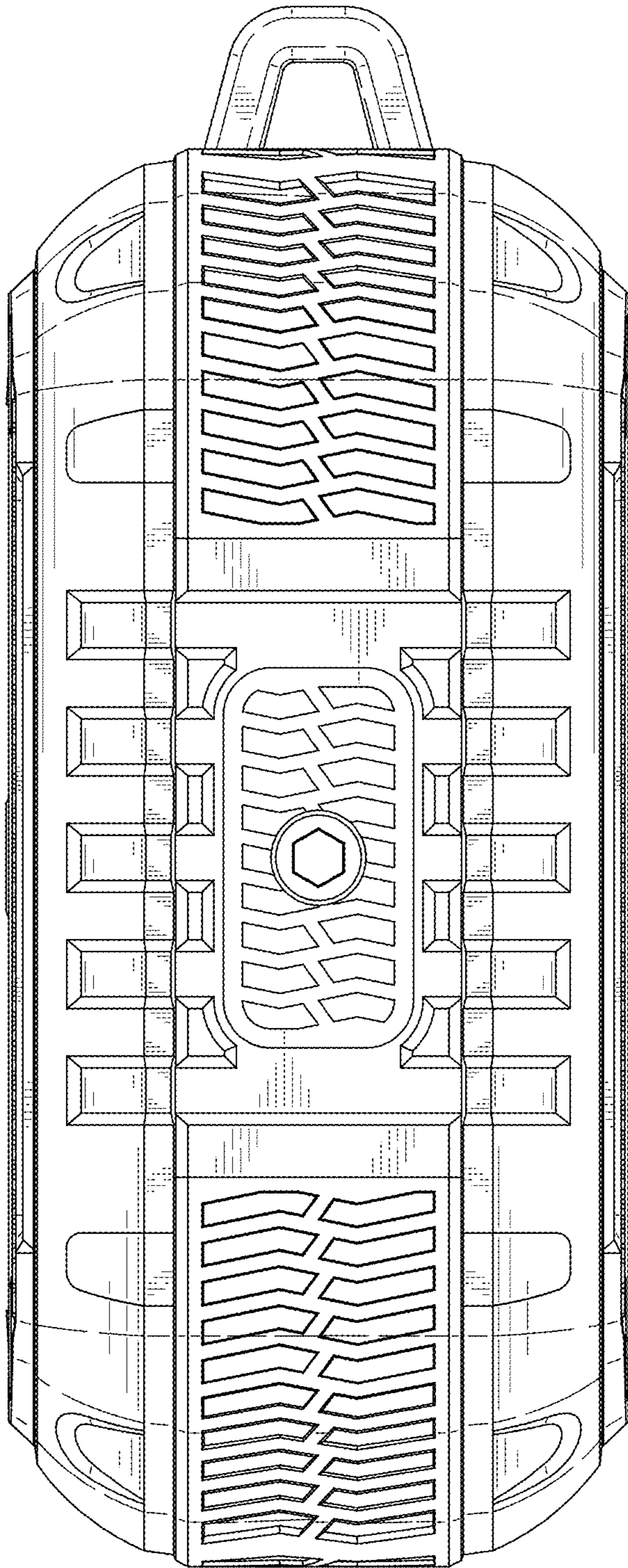


FIG. 7



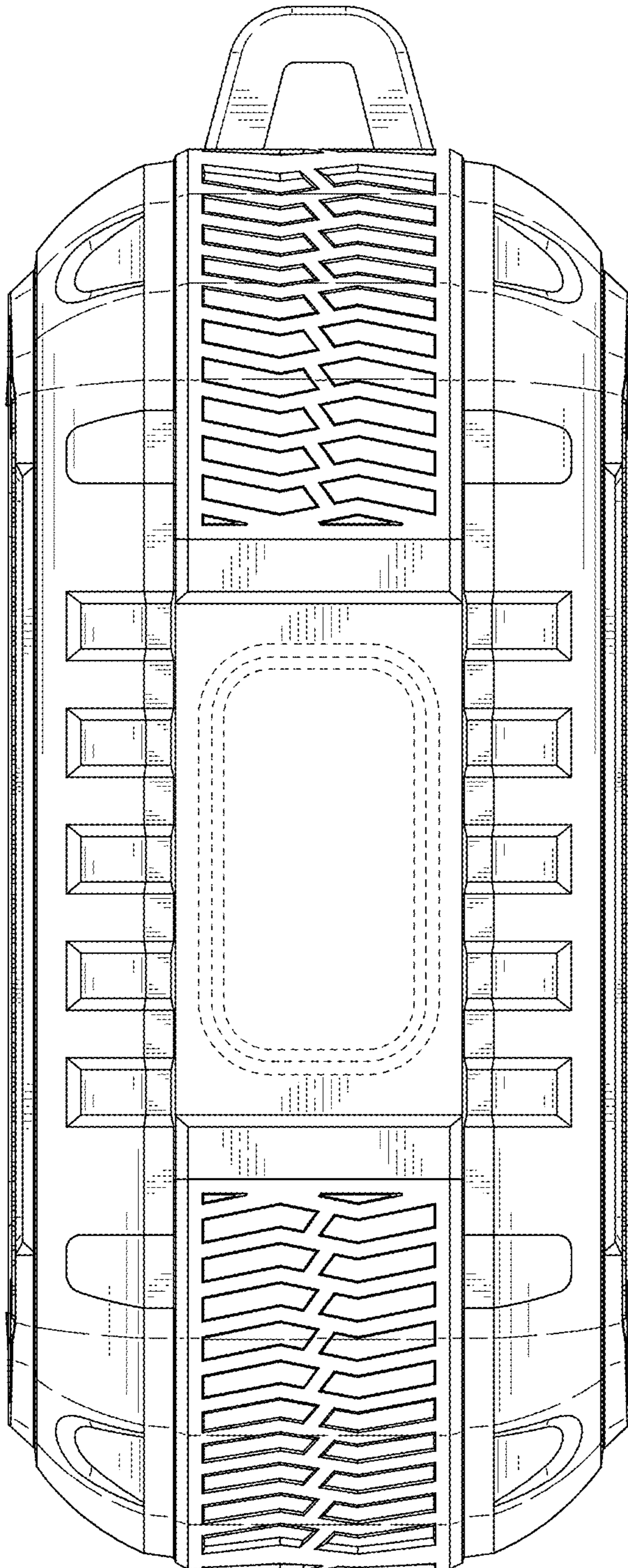


FIG. 8

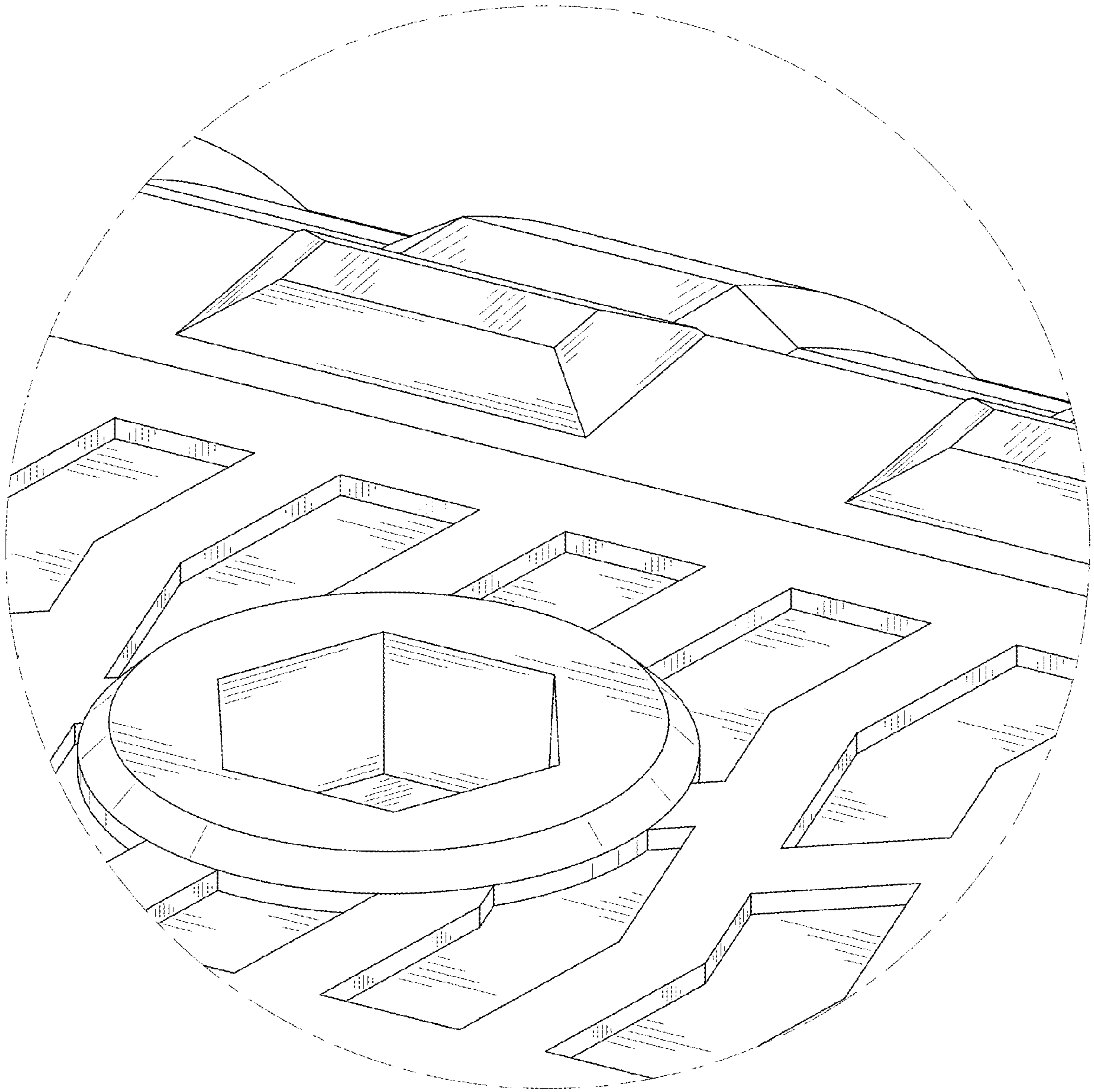


FIG. 9

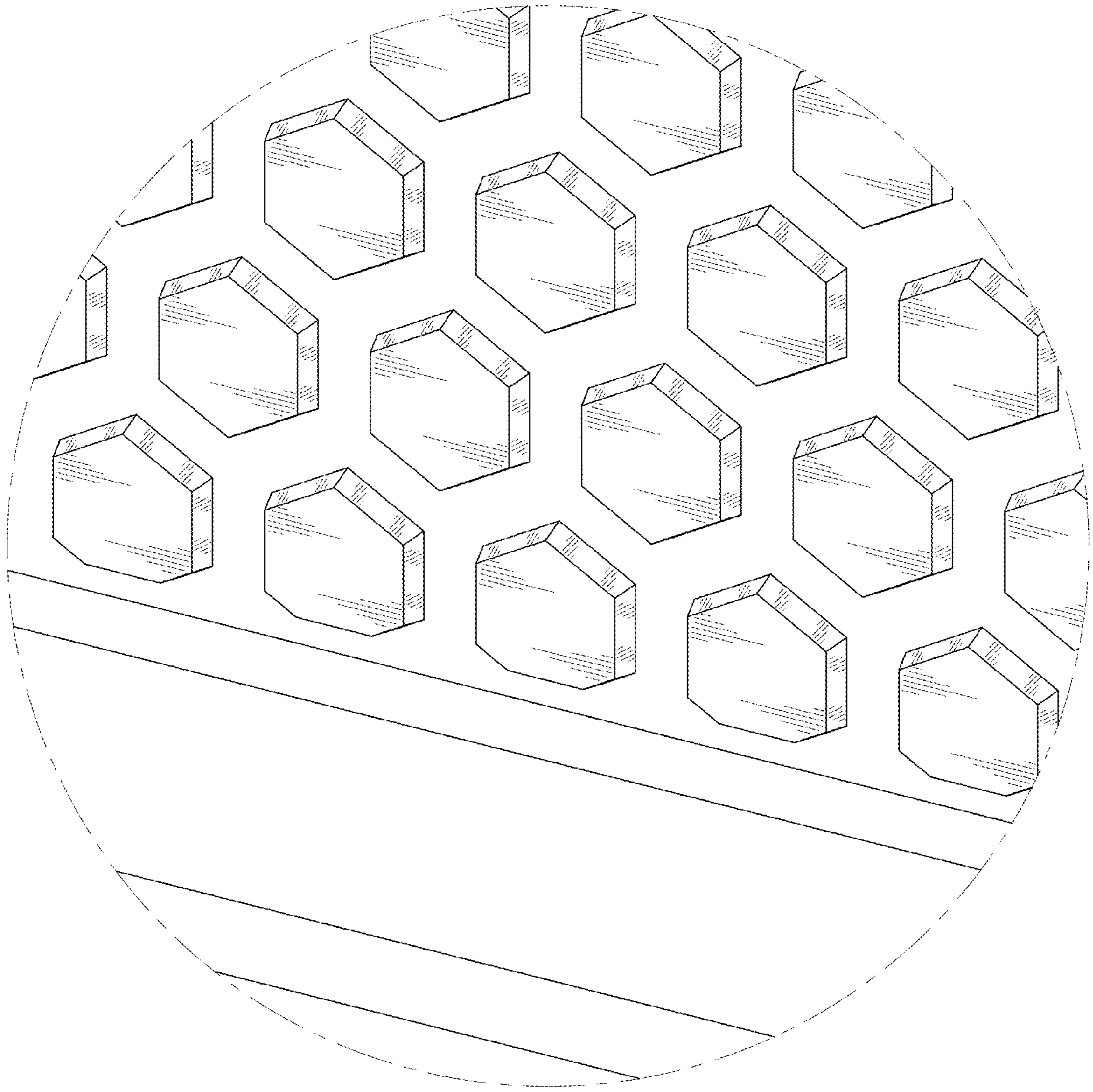


FIG. 10

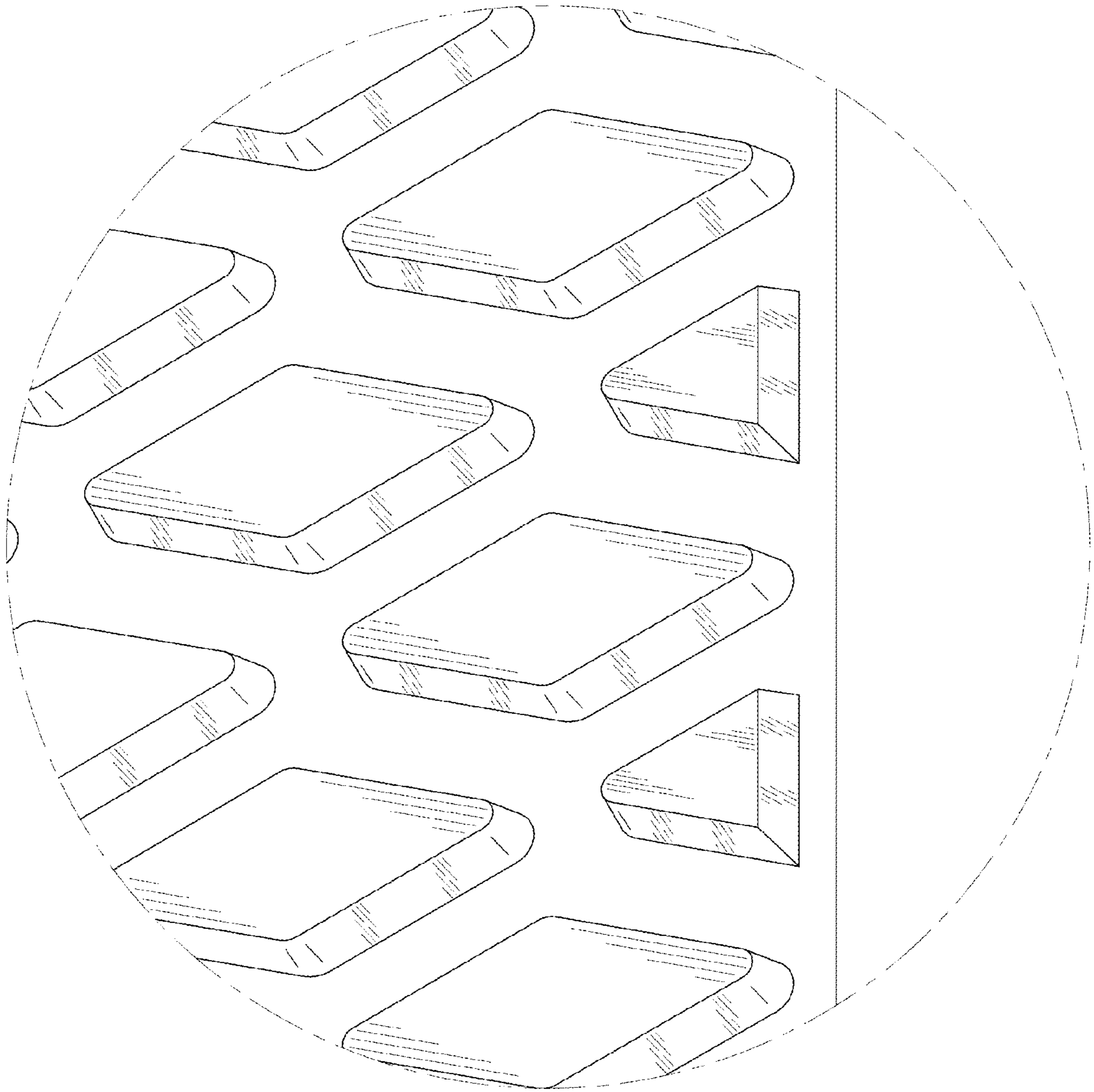


FIG. 11

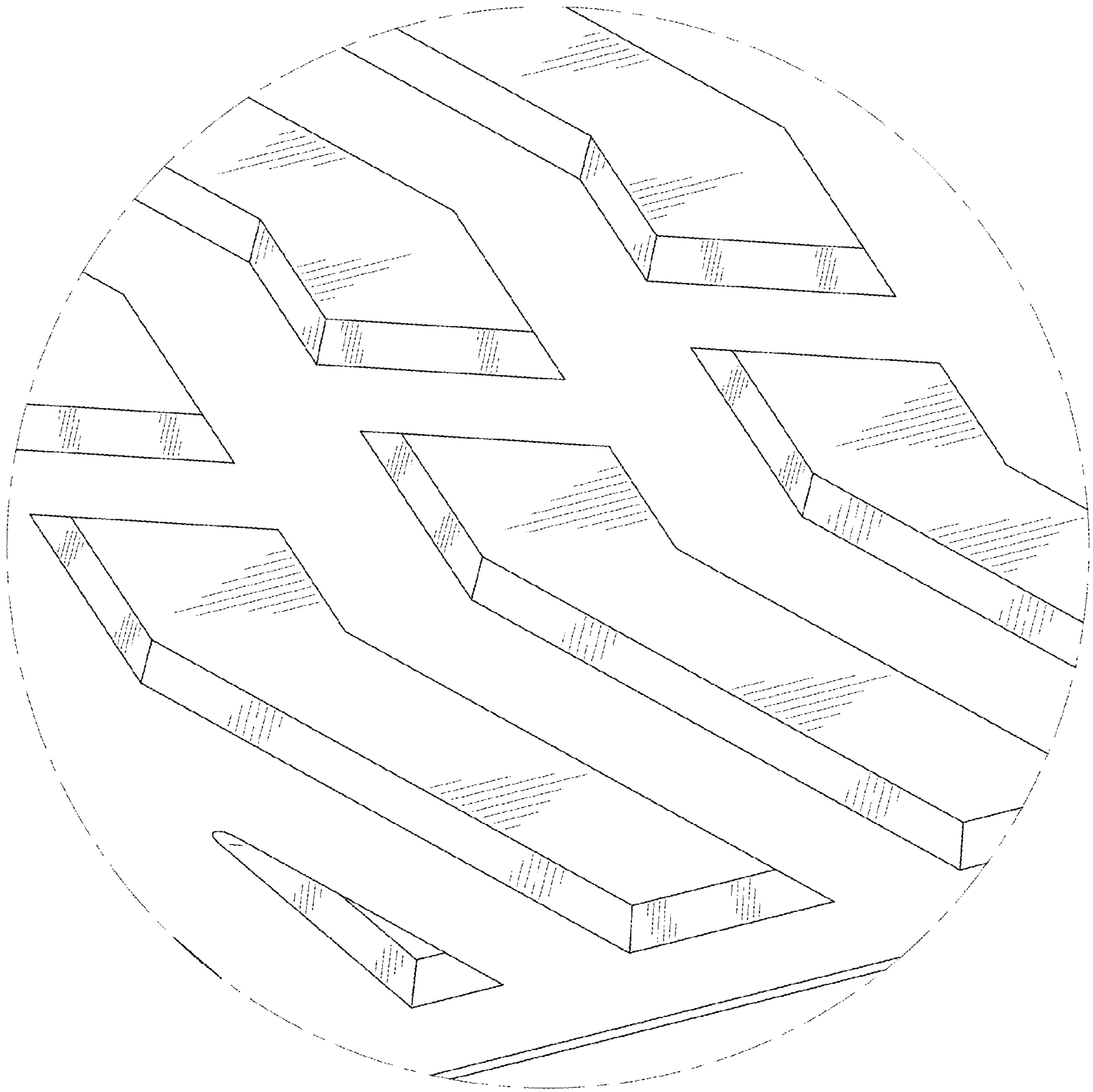


FIG. 12