



US00D971602S

(12) **United States Design Patent**
Dauchin

(10) **Patent No.:** **US D971,602 S**
(45) **Date of Patent:** **** Dec. 6, 2022**

(54) **TRAVEL KIT**
(71) Applicant: **RIMOWA GmbH**, Cologne (DE)
(72) Inventor: **Benoît Gérard Marie Dauchin**,
Luxembourg (LU)
(**) Term: **15 Years**
(21) Appl. No.: **35/511,651**
(22) Filed: **Dec. 18, 2020**

D579,201 S * 10/2008 Galli D3/273
D613,054 S * 4/2010 Morszeck D3/205
D696,865 S * 1/2014 Morszeck D3/301
D713,641 S * 9/2014 Batle D3/247
D718,048 S * 11/2014 Hsu D3/273
D718,049 S * 11/2014 Hsu D3/273
D807,579 S * 1/2018 Wu D27/189
D839,583 S * 2/2019 Cao D3/201
10,595,608 B2 * 3/2020 Korey A45C 13/28
D905,066 S * 12/2020 Lee D14/440
D927,851 S 8/2021 Chasseriaux et al.
D930,359 S 9/2021 Dauchin
D933,954 S * 10/2021 Ludlow D3/294

(80) **Hague Agreement Data**

Int. Filing Date: **Dec. 18, 2020**
Int. Reg. No.: **DM/213321**
Int. Reg. Date: **Dec. 18, 2020**
Int. Reg. Pub. Date: **Apr. 2, 2021**

* cited by examiner

Primary Examiner — Holly E Thurman

(51) **LOC (13) Cl.** **03-01**
(52) **U.S. Cl.**
USPC **D3/294**

(57) **CLAIM**

The ornamental design for a travel kit, as shown and described.

(58) **Field of Classification Search**
USPC D3/201, 207, 208, 215, 226, 228, 229,
D3/230, 232, 269, 273, 276, 290, 294,
D3/299, 303, 304, 316, 318
CPC B65D 83/384; F41H 9/10
See application file for complete search history.

DESCRIPTION

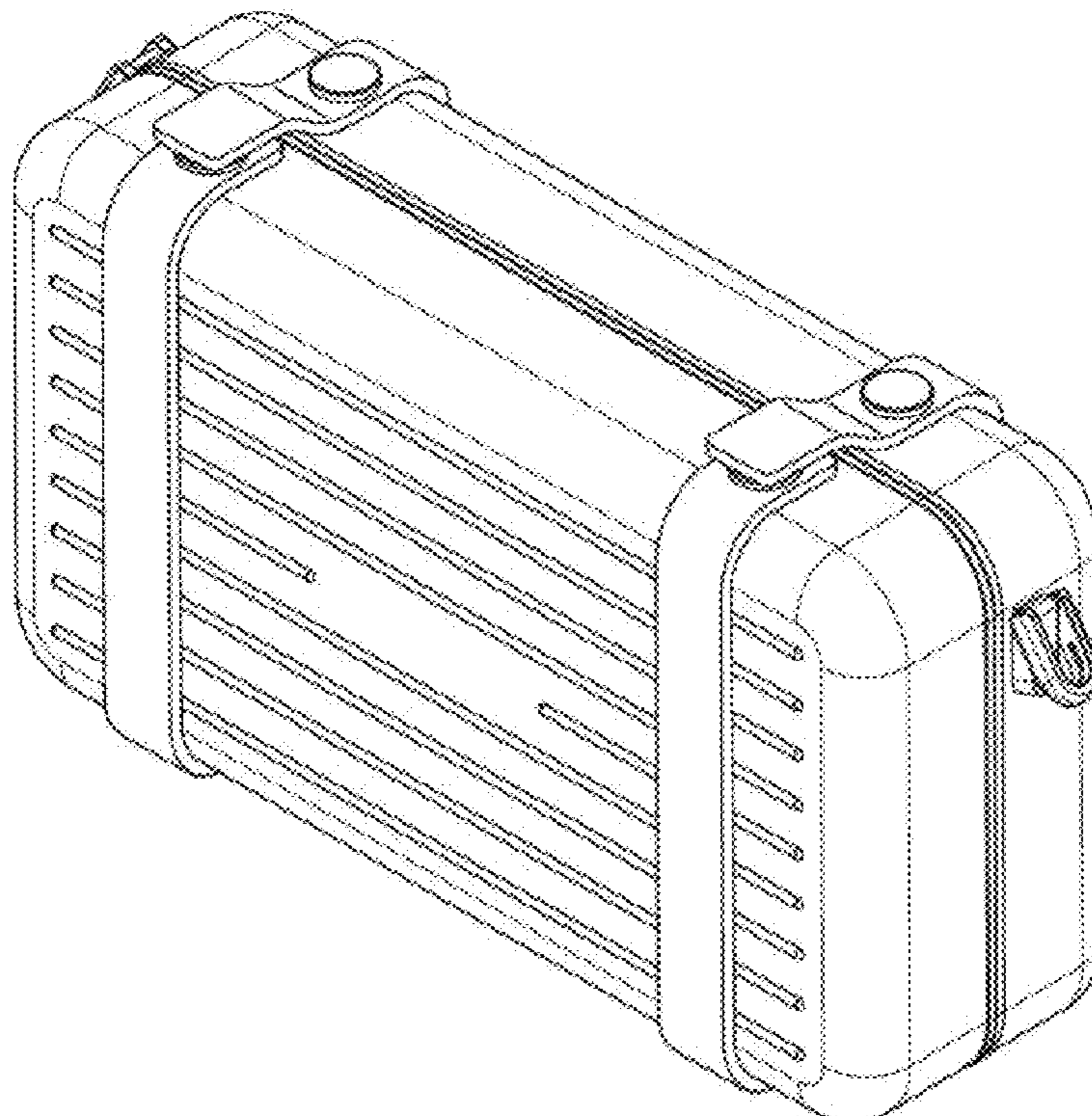
- 1. Travel kit
- 1.1 : Perspective
- 1.2 : Front
- 1.3 : Back
- 1.4 : Top
- 1.5 : Bottom
- 1.6 : Right
- 1.7 : Left

(56) **References Cited**

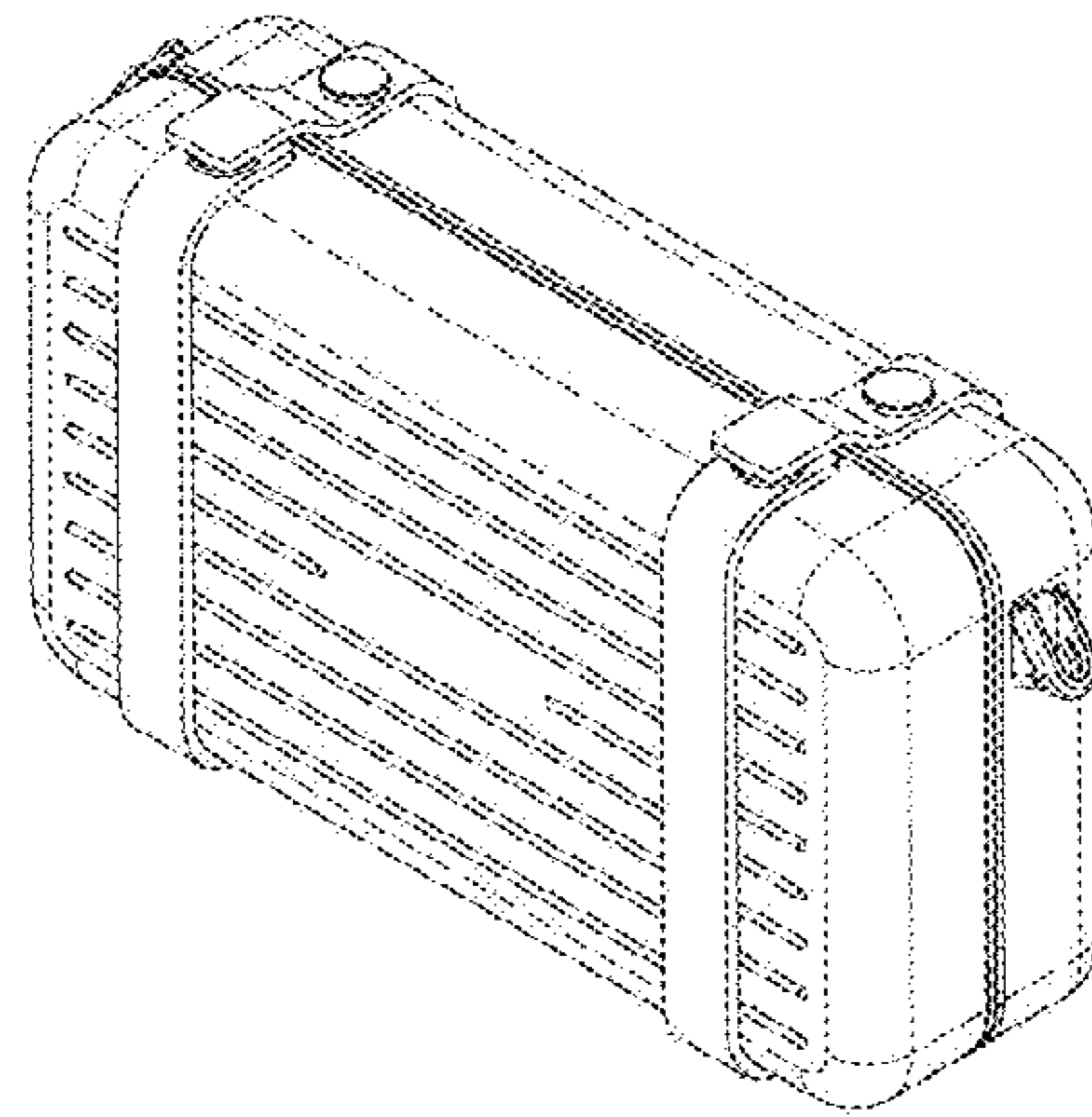
U.S. PATENT DOCUMENTS

D187,240 S * 2/1960 Harkins et al. D27/189
D491,358 S * 6/2004 Hofman D3/273

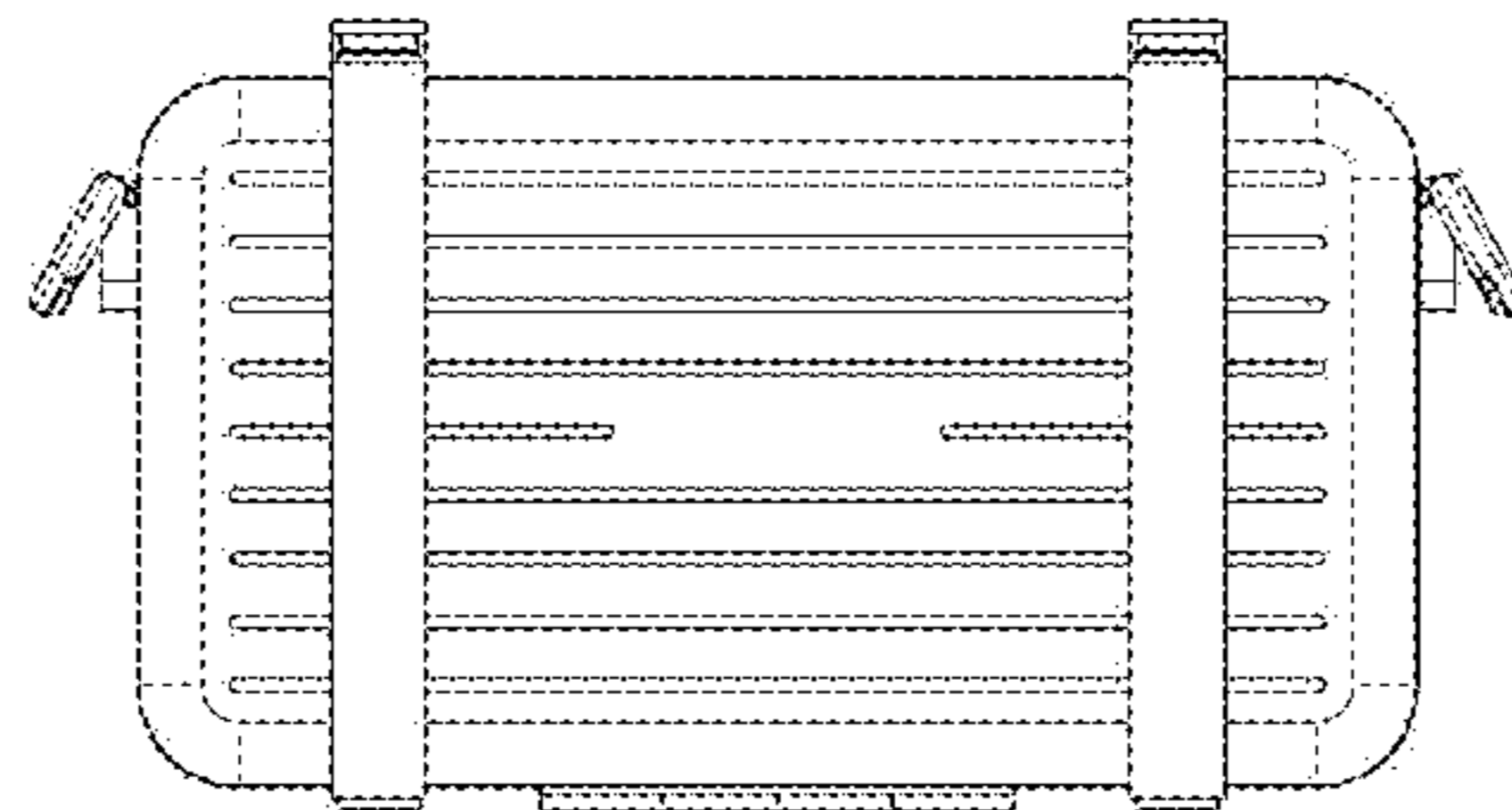
1 Claim, 7 Drawing Sheets



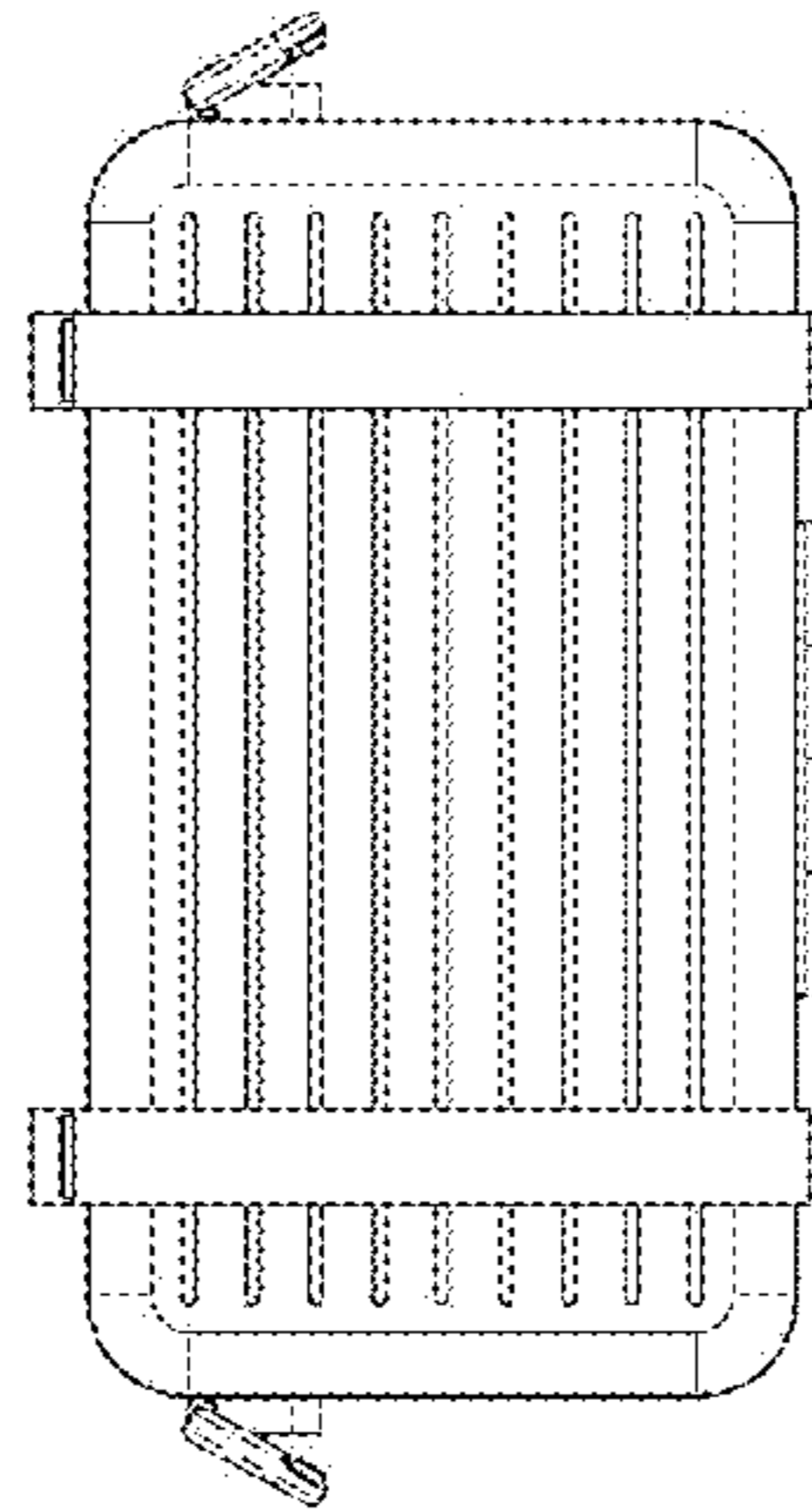
1.1



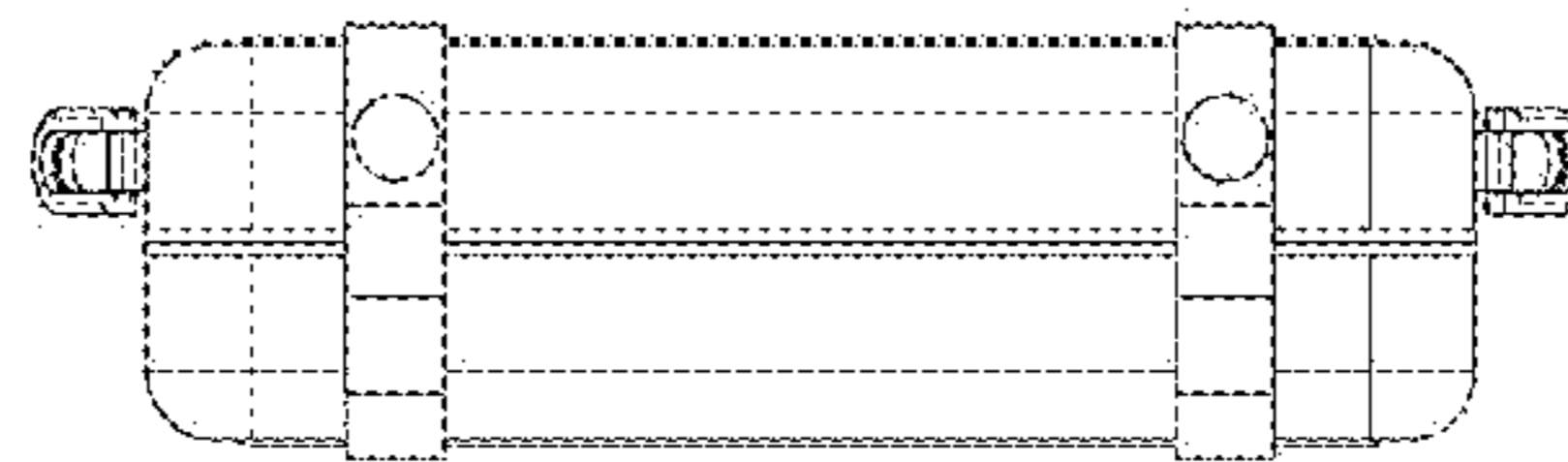
1.2



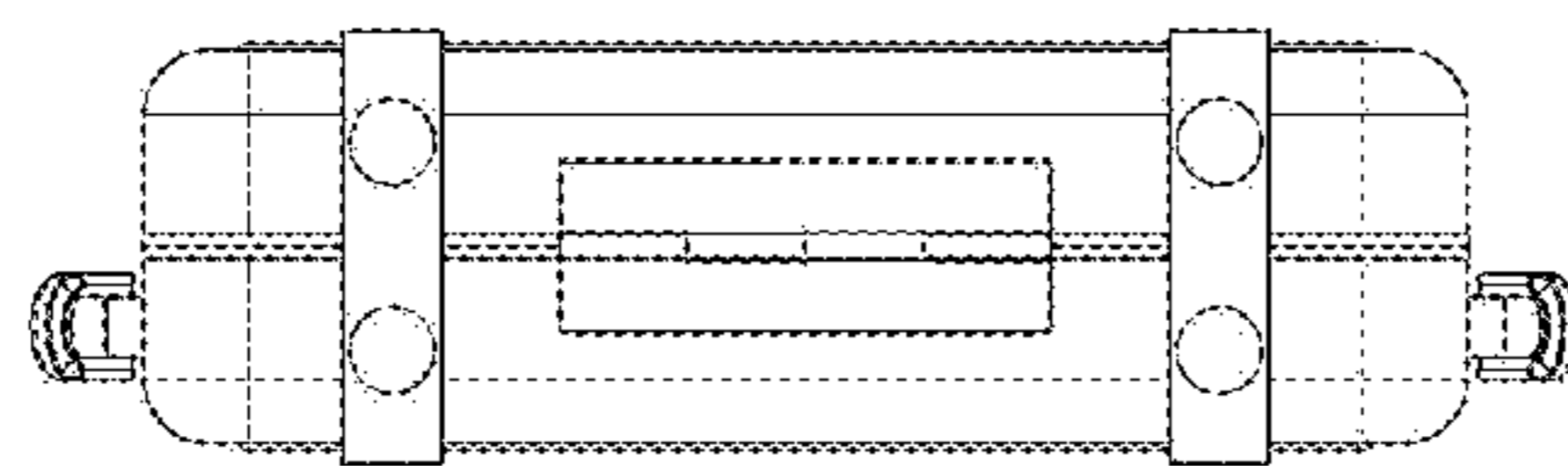
1.3



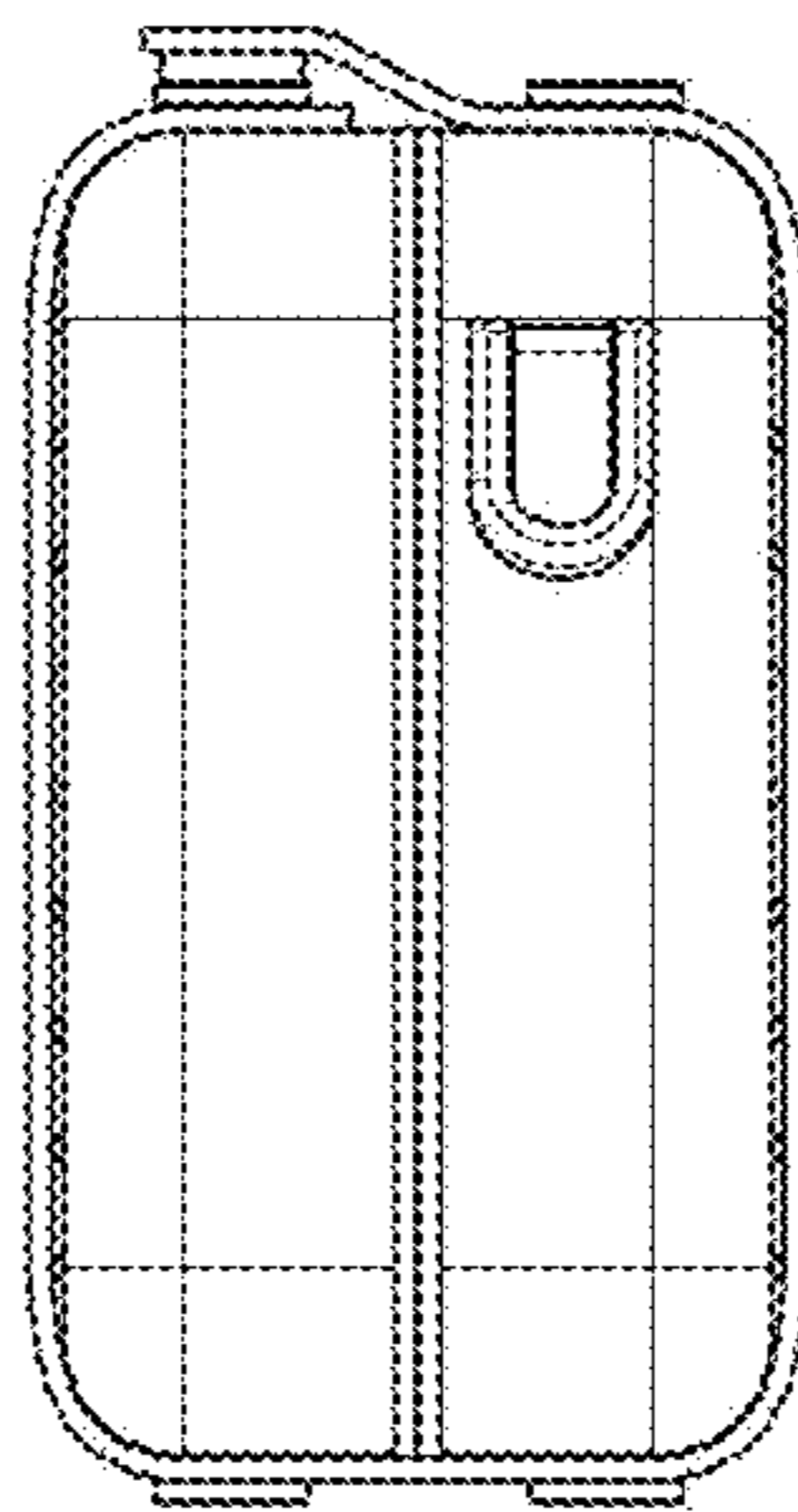
1.4



1.5



1.6



1.7

