



US00D971601S

(12) **United States Design Patent** (10) **Patent No.:** **US D971,601 S**
Laine et al. (45) **Date of Patent:** **** Dec. 6, 2022**

(54) **CARRYING CASE FOR PORTABLE MEDIA PLAYBACK DEVICE**

Primary Examiner — April Rivas
(74) *Attorney, Agent, or Firm* — KPPB LLP

(71) Applicant: **Sonos, Inc.**, Santa Barbara, CA (US)
(72) Inventors: **Aki Laine**, Santa Barbara, CA (US);
Karson Shadley, Malmö (SE);
Jonathan S. Cotter, Santa Barbara, CA (US)

(57) **CLAIM**

The ornamental design for a carrying case for a portable media playback device, as shown and described.

(73) Assignee: **Sonos, Inc.**, Santa Barbara, CA (US)

DESCRIPTION

(**) Term: **15 Years**

FIG. 1 is a front elevation view of a carrying case for a portable media playback device, according to a first embodiment of the invention;
FIG. 2 is a rear elevation view thereof;
FIG. 3 is a left side view thereof;
FIG. 4 is a right side view thereof;
FIG. 5 is a top plan view thereof;
FIG. 6 is a bottom plan view thereof;
FIG. 7 is a perspective view thereof;
FIG. 8 is a front elevation view of a carrying case for a portable media playback device, according to a second embodiment of the invention;
FIG. 9 is a rear elevation view thereof;
FIG. 10 is a left side view thereof;
FIG. 11 is a right side view thereof;
FIG. 12 is a top plan view thereof;
FIG. 13 is a bottom plan view thereof;
FIG. 14 is a perspective view thereof;
FIG. 15 is a front elevation view of a carrying case for a portable media playback device, according to a third embodiment of the invention;
FIG. 16 is a rear elevation view thereof;
FIG. 17 is a left side view thereof;
FIG. 18 is a right side view thereof;
FIG. 19 is a top plan view thereof;
FIG. 20 is a bottom plan view thereof; and,
FIG. 21 is a perspective view thereof.
The evenly dashed broken lines in the figures illustrate portions that form no part of the claimed design. The dot dash broken lines indicate boundaries of claimed surfaces in the claimed design.

(21) Appl. No.: **29/752,639**

(22) Filed: **Sep. 28, 2020**

(51) **LOC (13) Cl.** **03-01**

(52) **U.S. Cl.**
USPC **D3/290**

(58) **Field of Classification Search**
USPC D3/201, 208, 212, 218, 273, 274, 294,
D3/302; D14/223, 496; D13/118, 108
(Continued)

(56) **References Cited**

U.S. PATENT DOCUMENTS

D277,901 S * 3/1985 Leslie D3/217
D380,945 S * 7/1997 Alegria D7/709
(Continued)

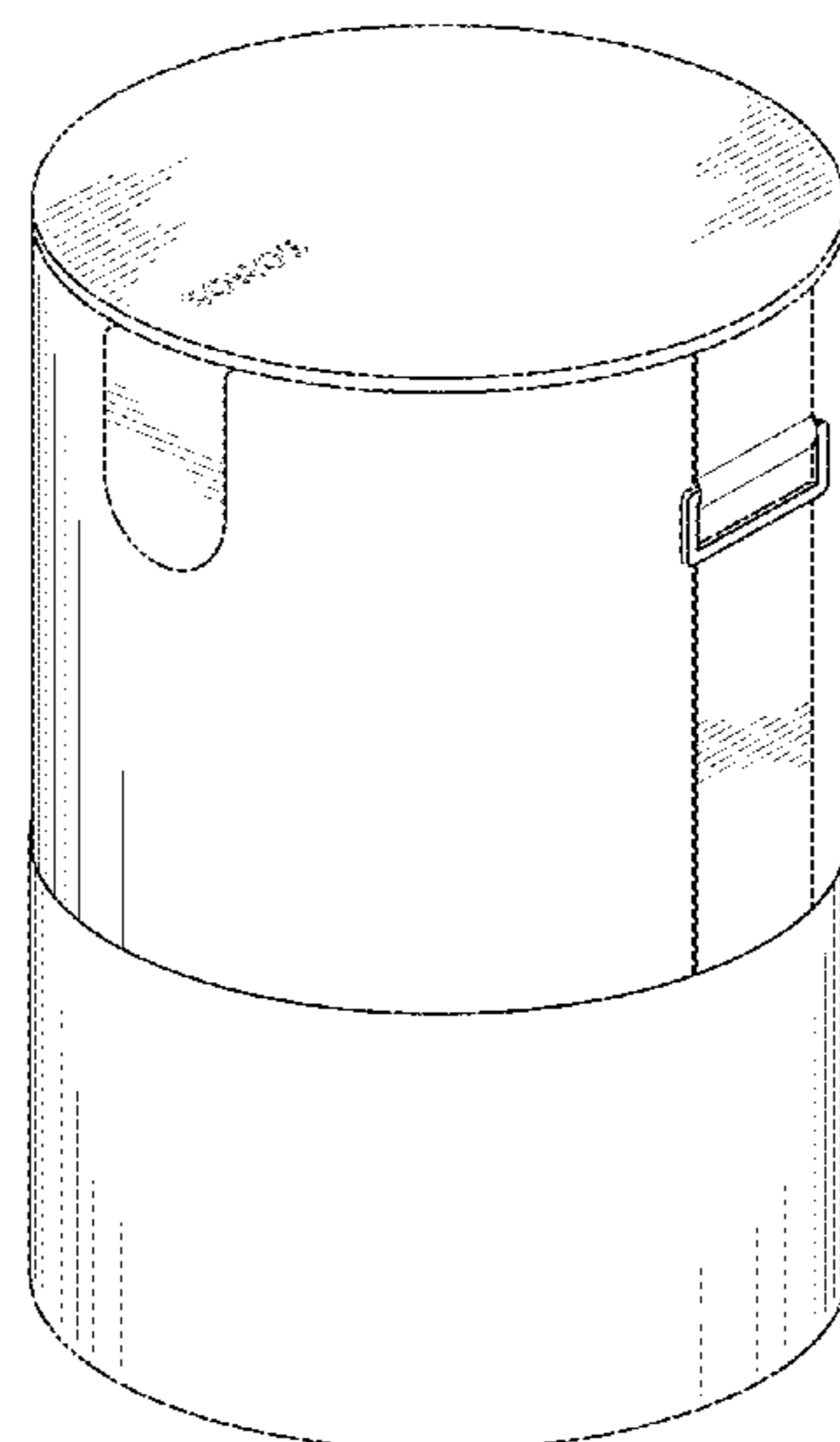
FOREIGN PATENT DOCUMENTS

JP 1017954 S 6/1998
JP 1311447 S 8/2007
JP 1696688 S 9/2021

OTHER PUBLICATIONS

Sonos, "Sonos Move Travel Bag", Accessed Mar. 23, 2022. (<https://www.sonos.com/en-us/shop/travel-bag>) (Year: 2022).*
(Continued)

1 Claim, 21 Drawing Sheets



(58) **Field of Classification Search**

CPC H04R 1/1025; A45C 2011/001
See application file for complete search history.

(56) **References Cited**

U.S. PATENT DOCUMENTS

D393,779	S	*	4/1998	Cabey	D7/607
D429,448	S	*	8/2000	Nottingham	D3/276
D671,372	S	*	11/2012	Zou	D7/608
D772,561	S	*	11/2016	Polunsky	D3/216
D773,809	S	*	12/2016	Lieser	D3/232
D820,649	S	*	6/2018	Sisson	D7/607
D835,071	S	*	12/2018	Channey	D14/496
D873,557	S	*	1/2020	Pompliano	D3/217
D875,394	S	*	2/2020	Komatick	D6/601

OTHER PUBLICATIONS

Amazon, "EMAQUIN Travel and Storage Carrying Case Bag for SONOS.", First on sale Jun. 3, 2020. (<https://www.amazon.com/EMAQUIN-Storage-Carrying-Speaker-Charging/dp/B089LRFDGZ?th=1>) (Year: 2020).*

"Figaro Japon", TBS-Brittanica, Tokyo, Apr. 5, 2001, Issue 6, vol. 12, JP Design Division Publicly known document No. HA13001174, 3 pgs.

* cited by examiner

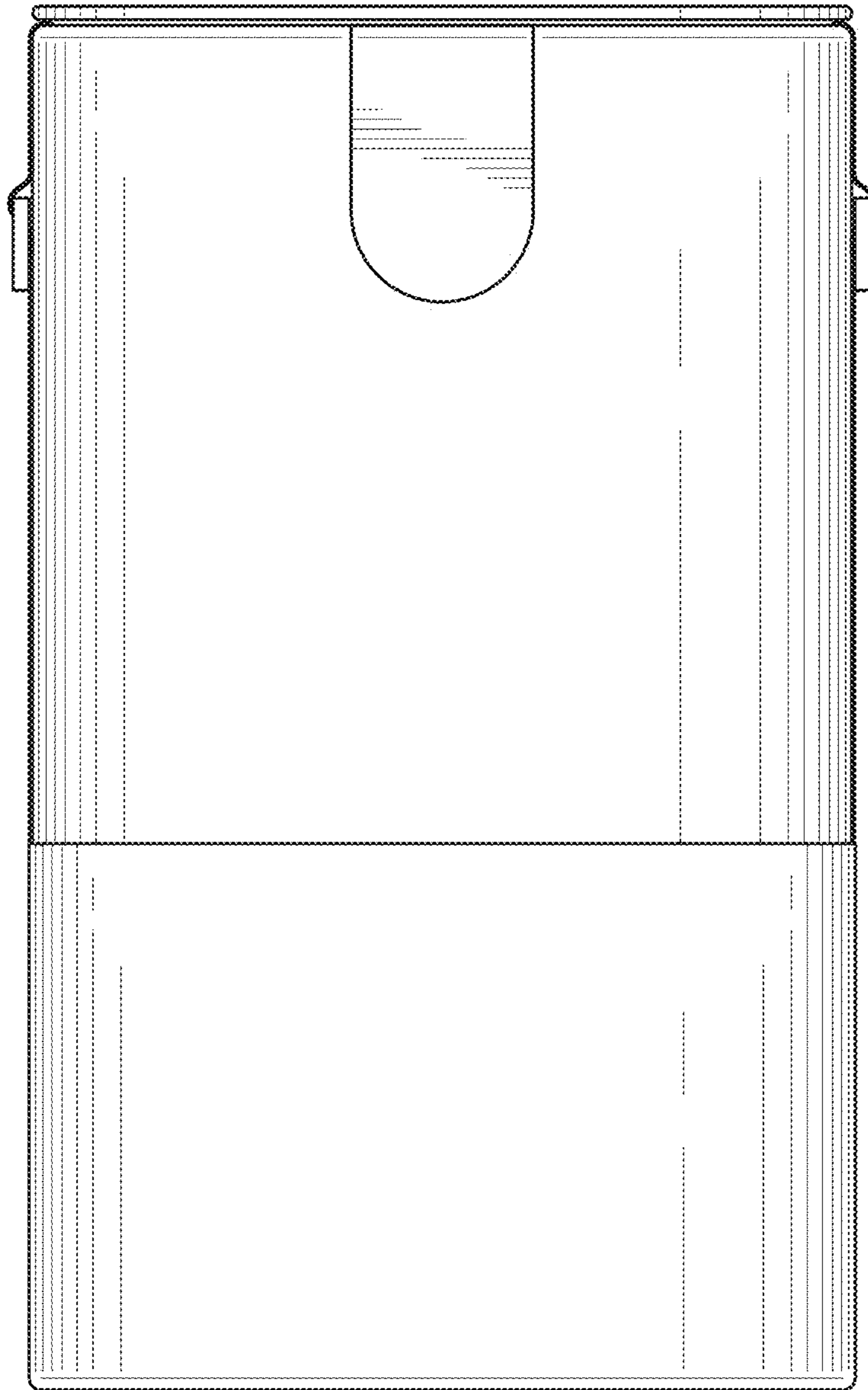


Fig. 1

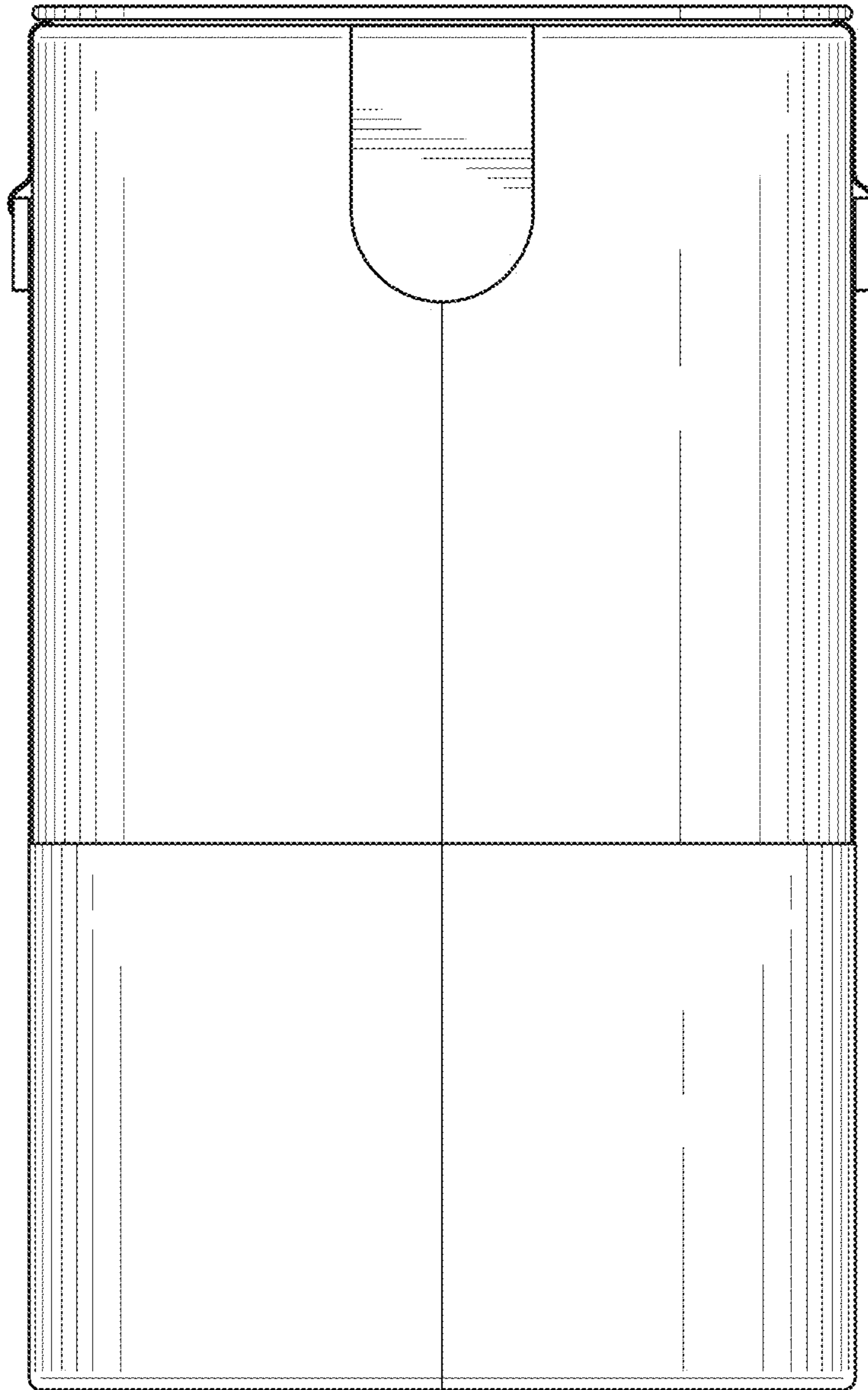


Fig. 2

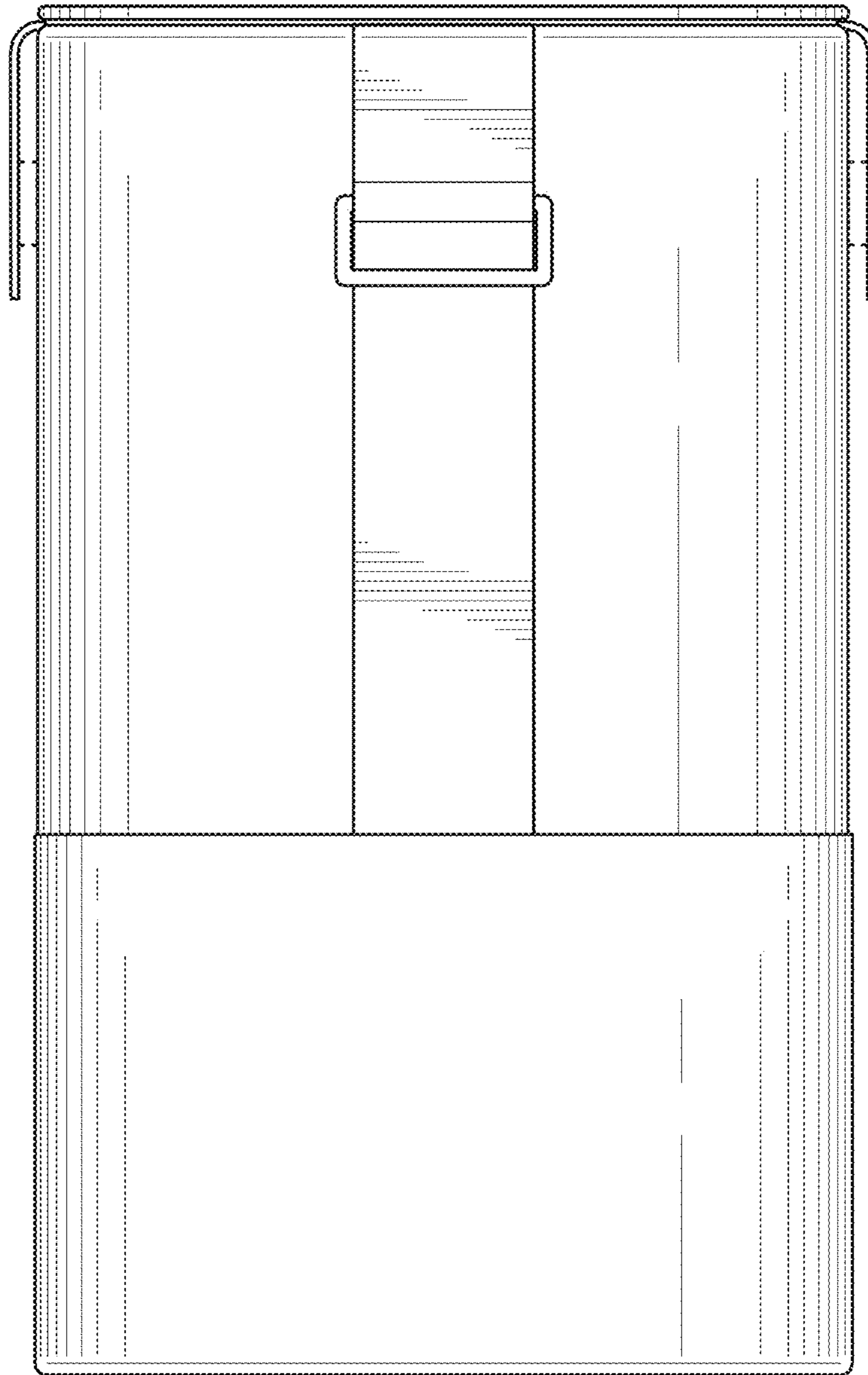


Fig. 3

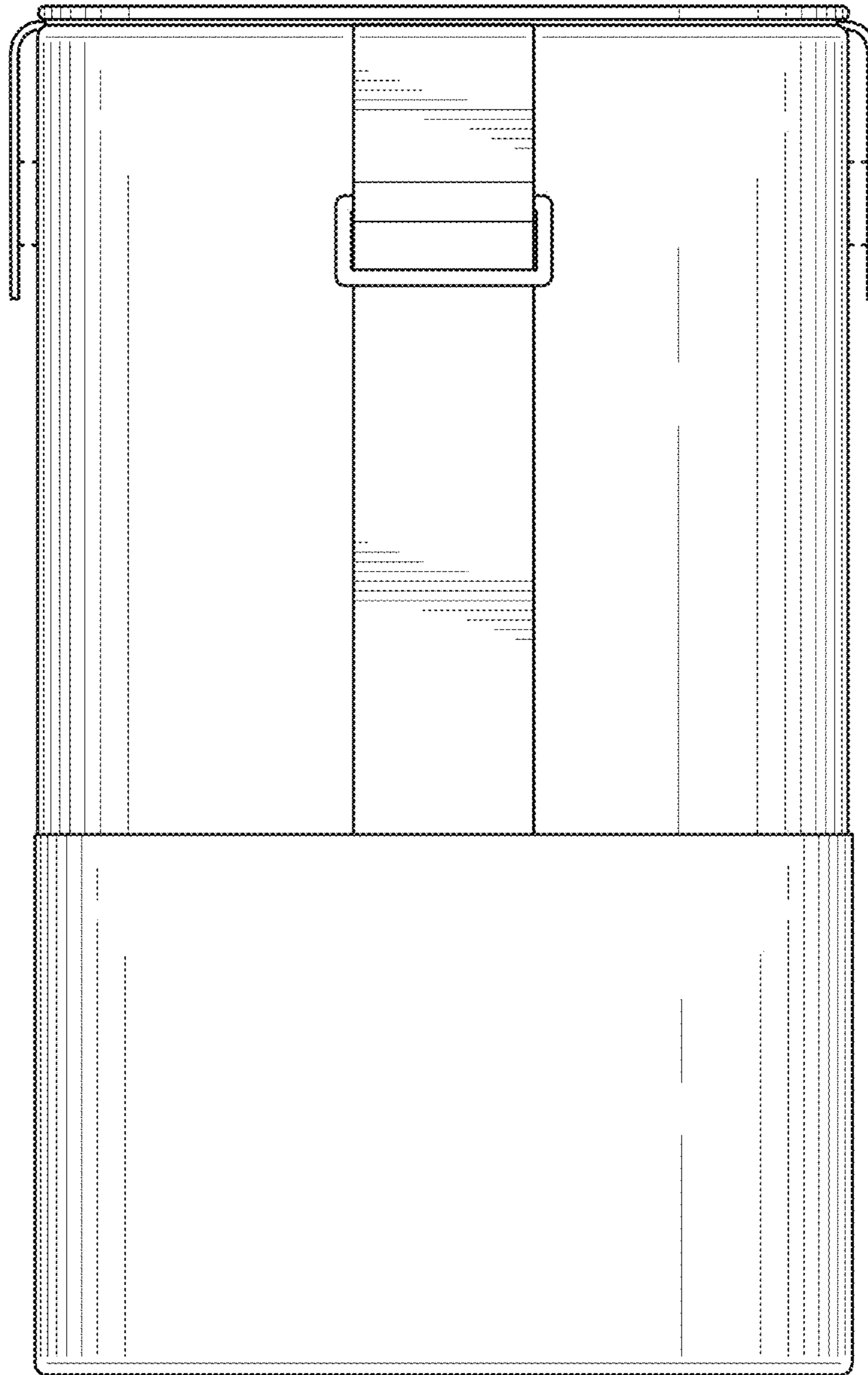


Fig. 4

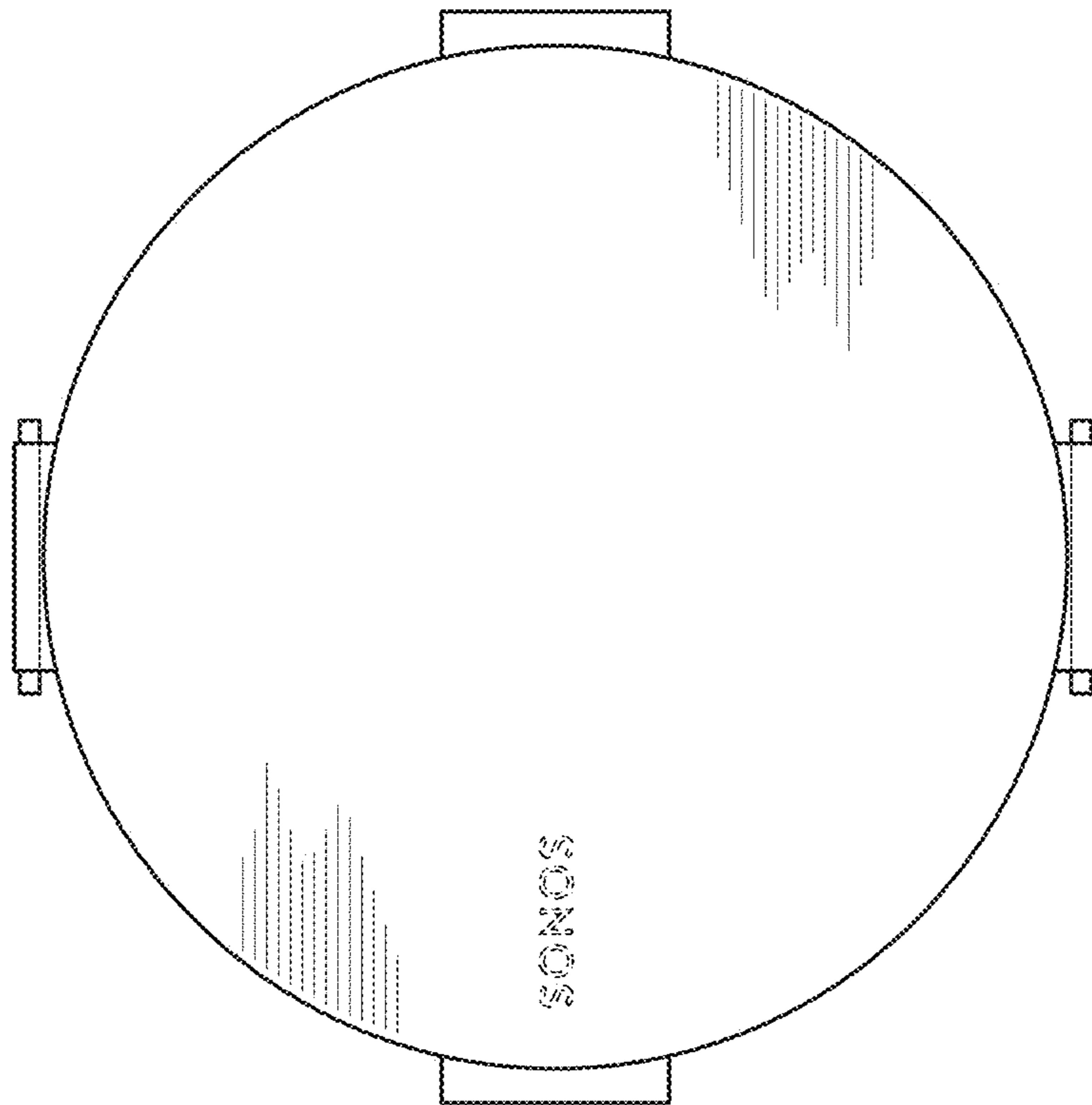


Fig. 5

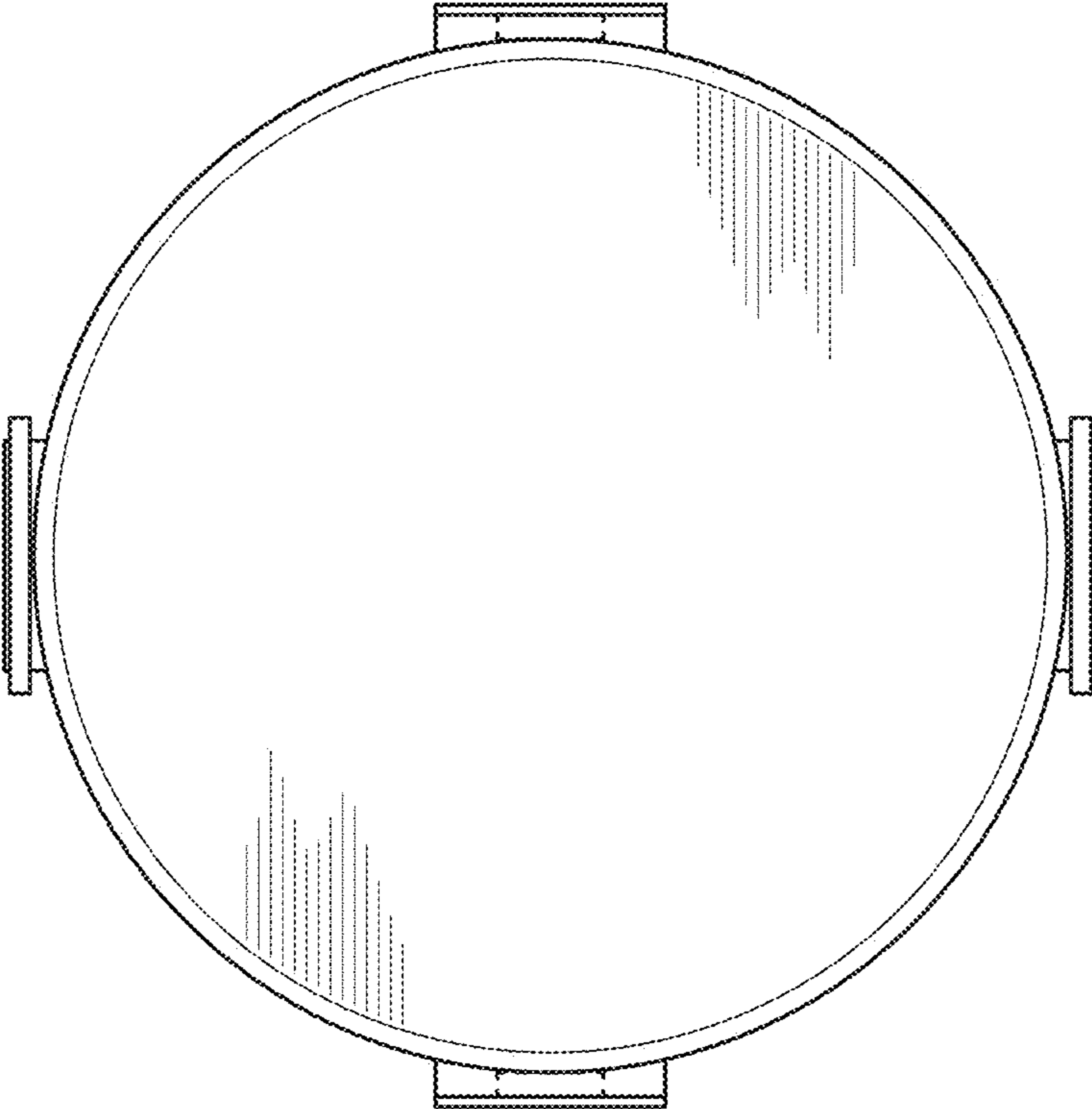


Fig. 6

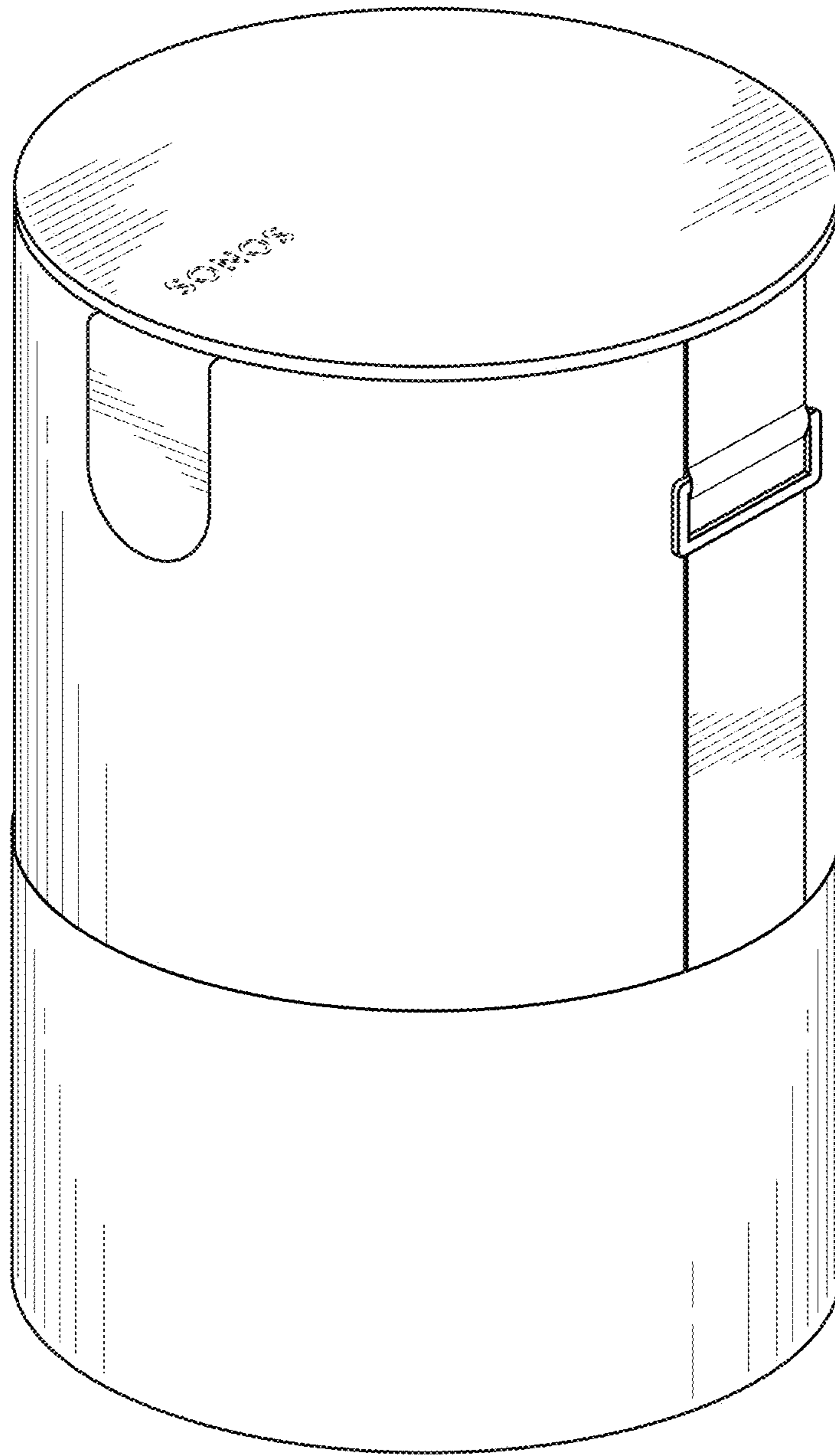


Fig. 7

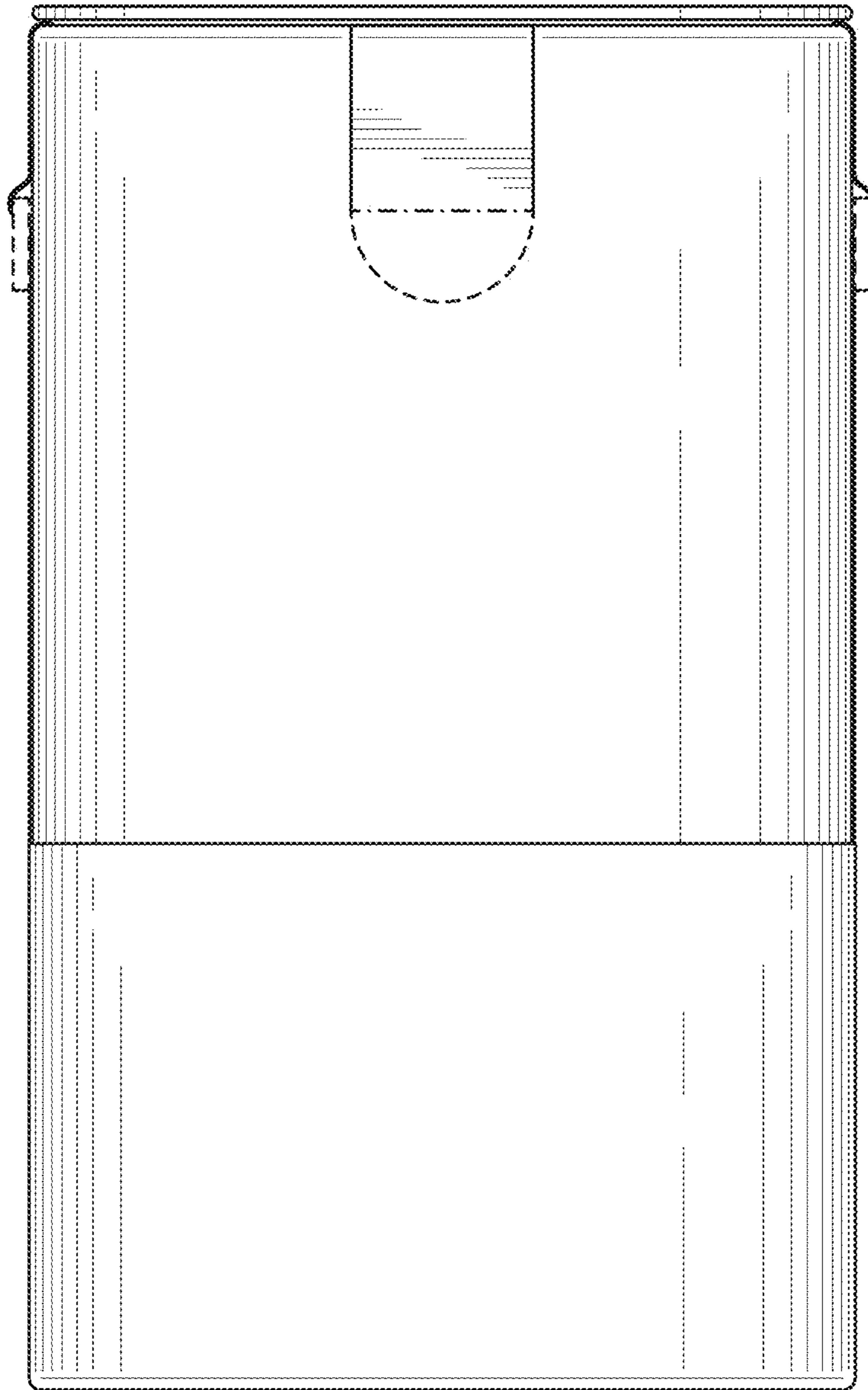


Fig. 8

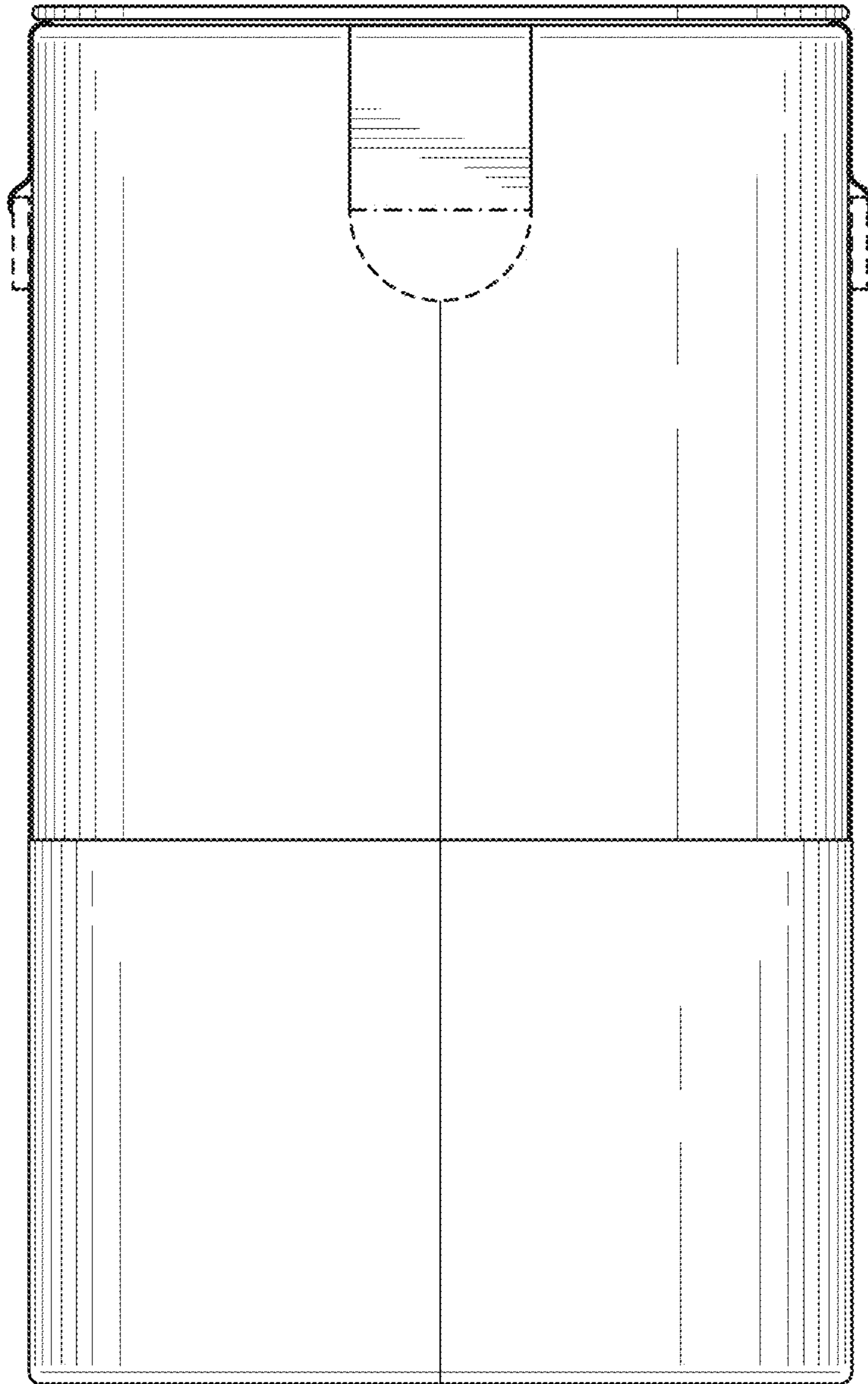


Fig. 9

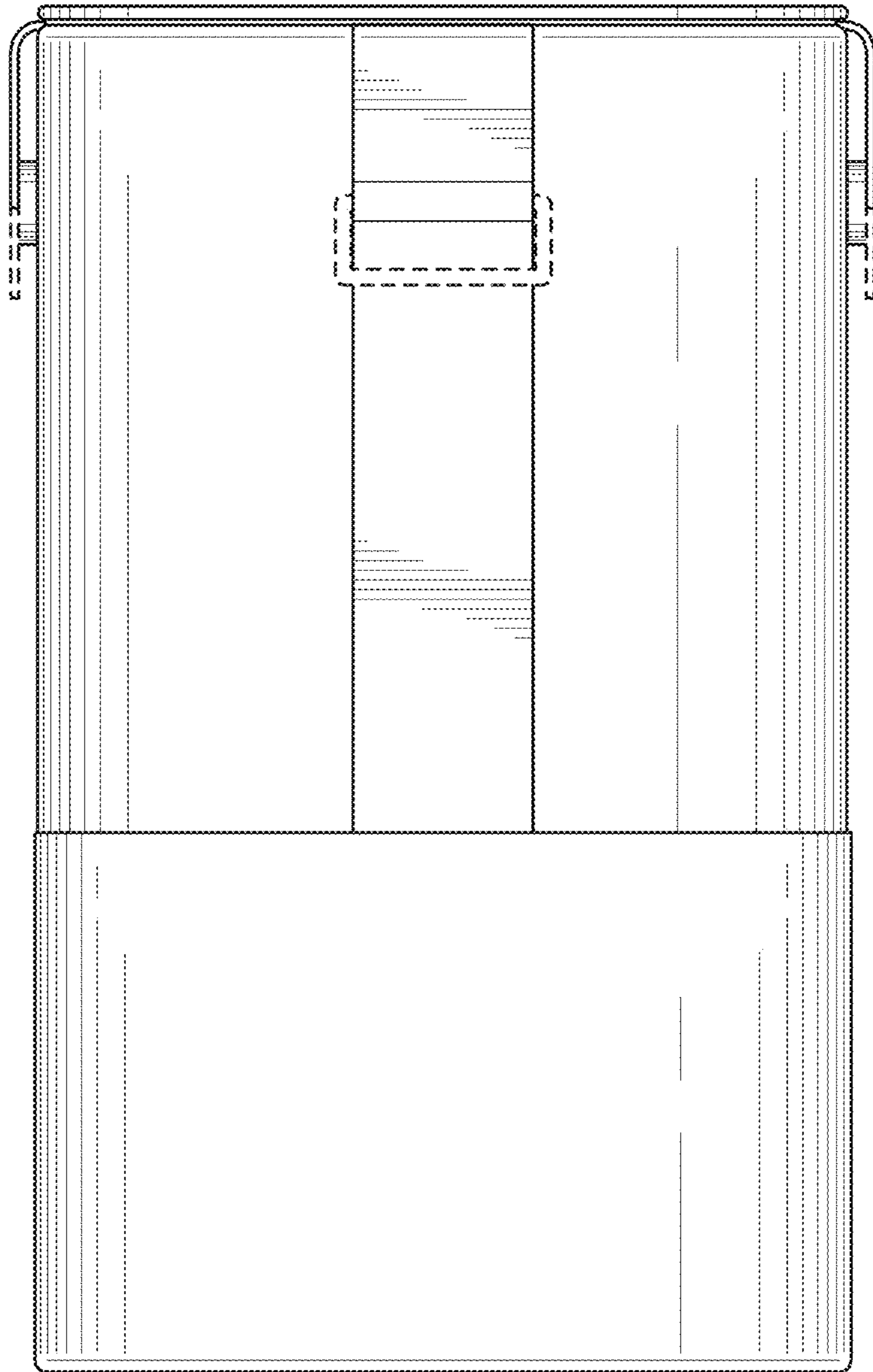


Fig. 10

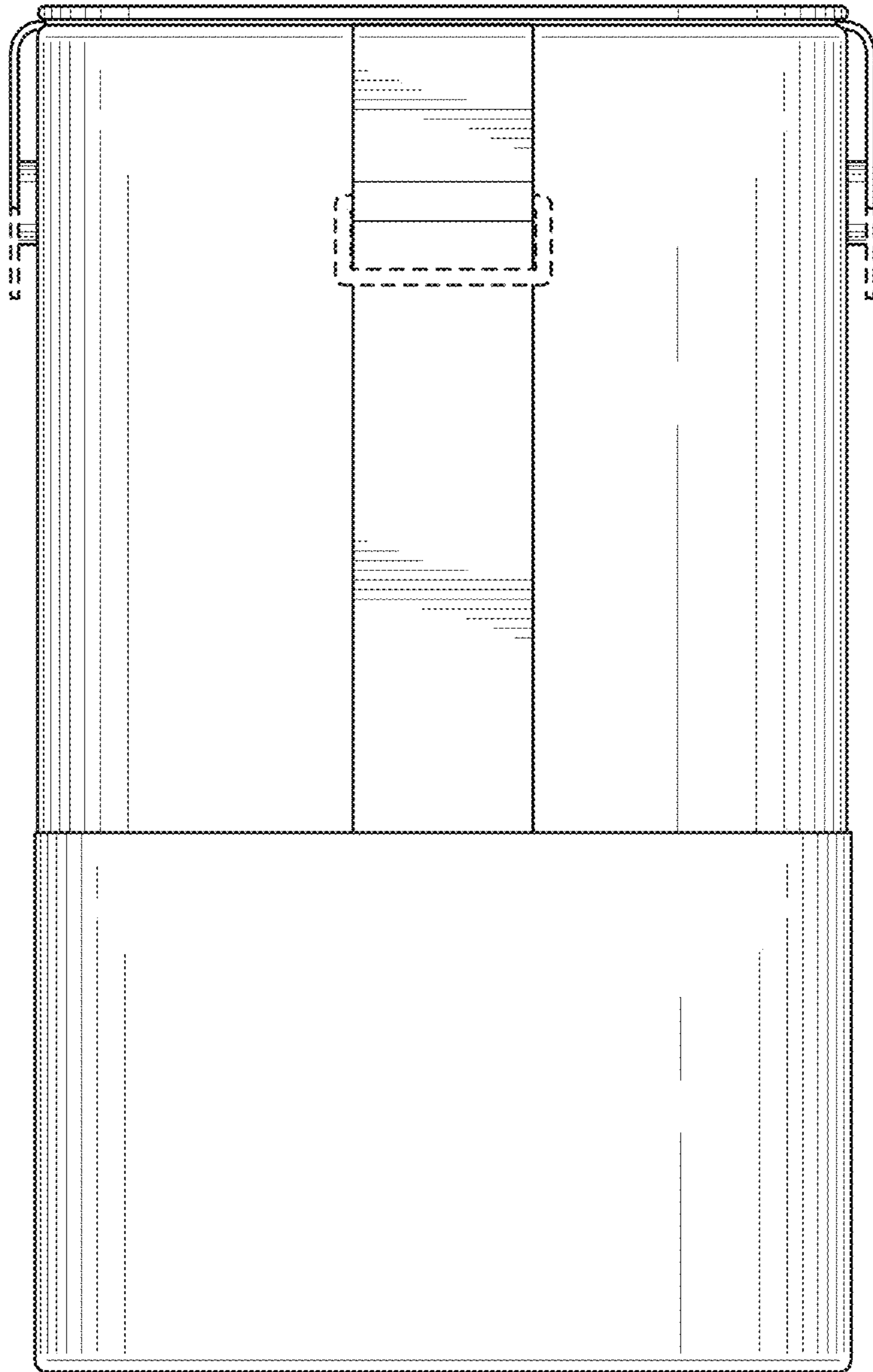


Fig. 11

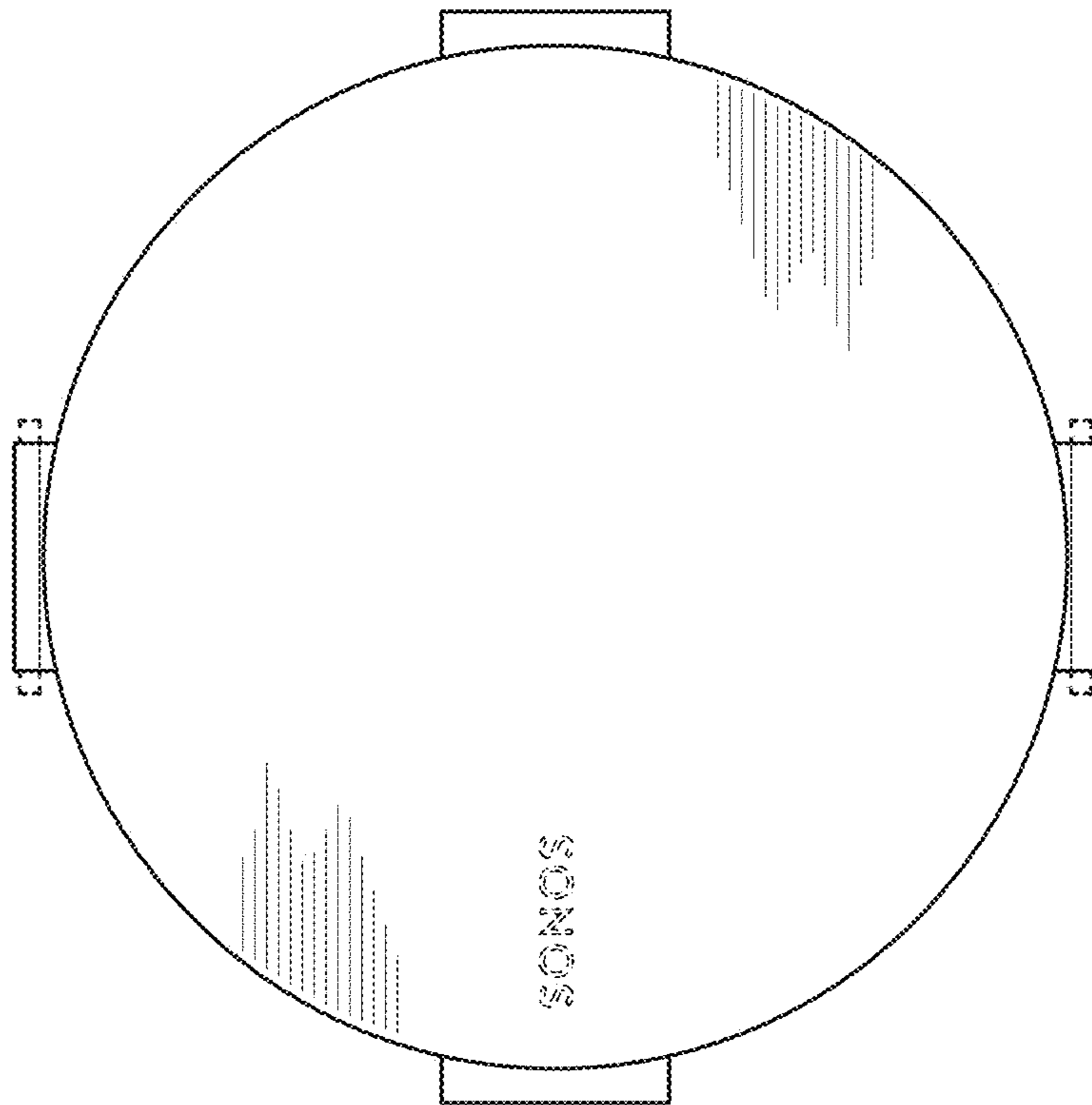


Fig. 12

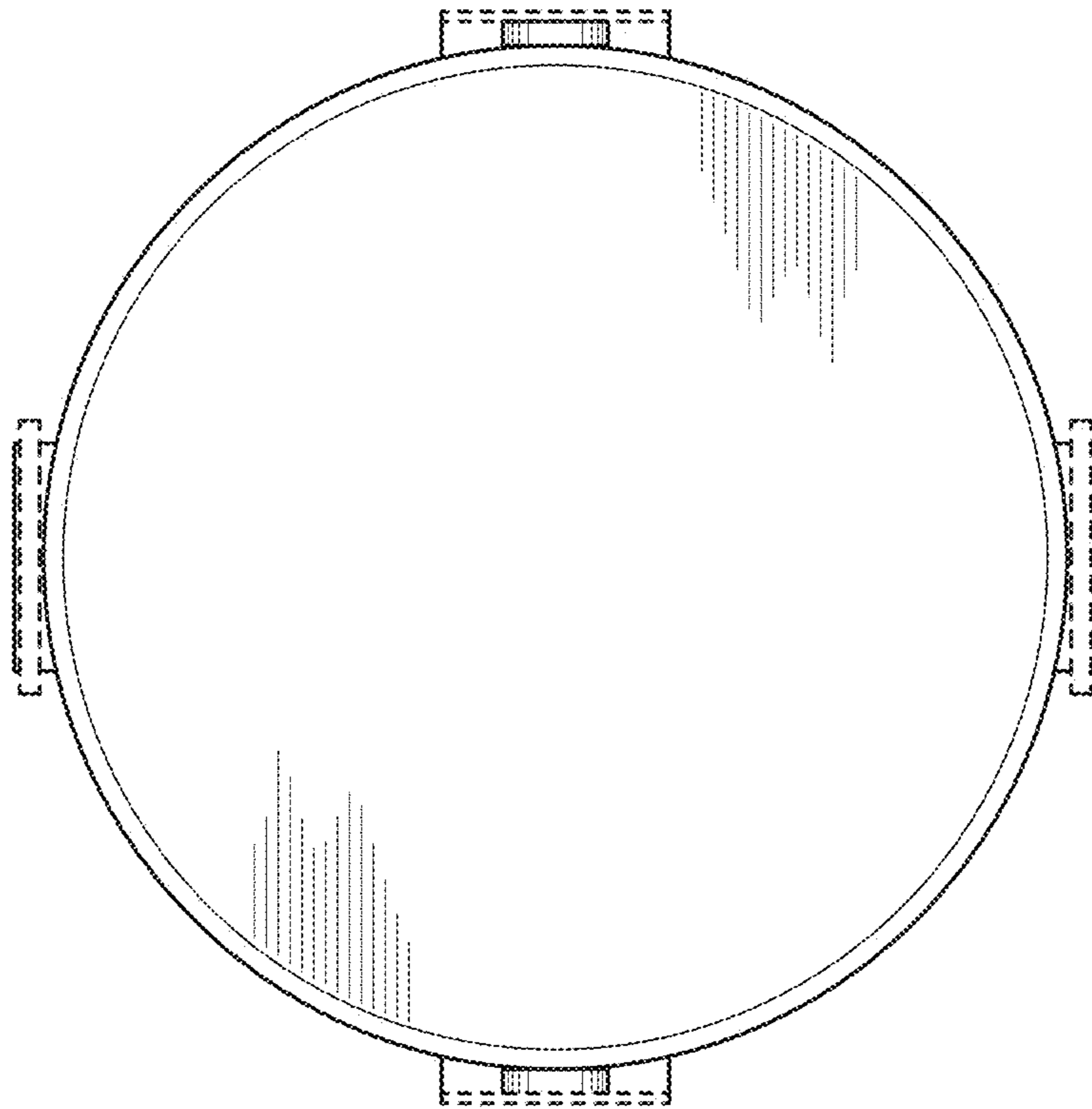


Fig. 13

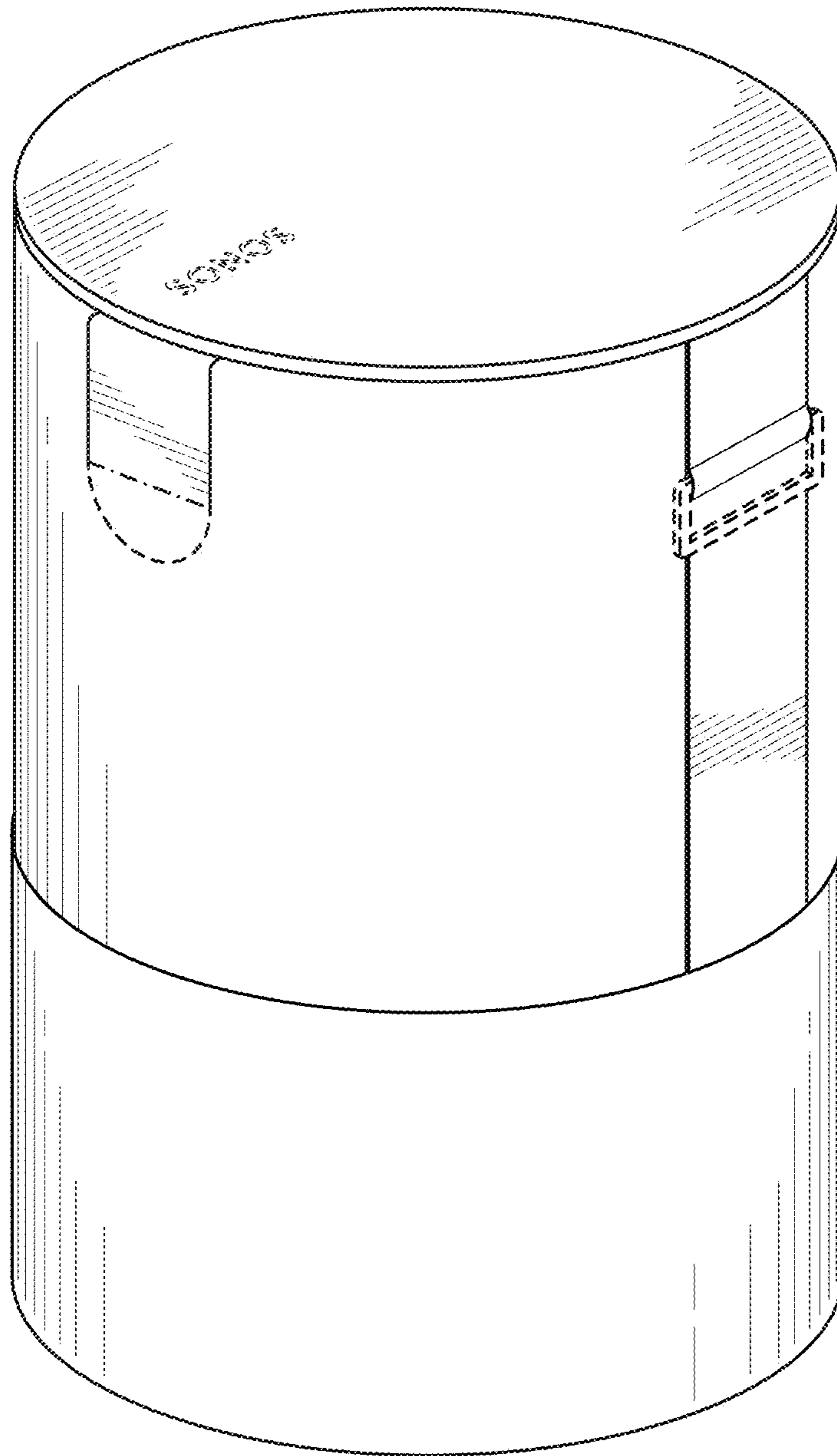


Fig. 14

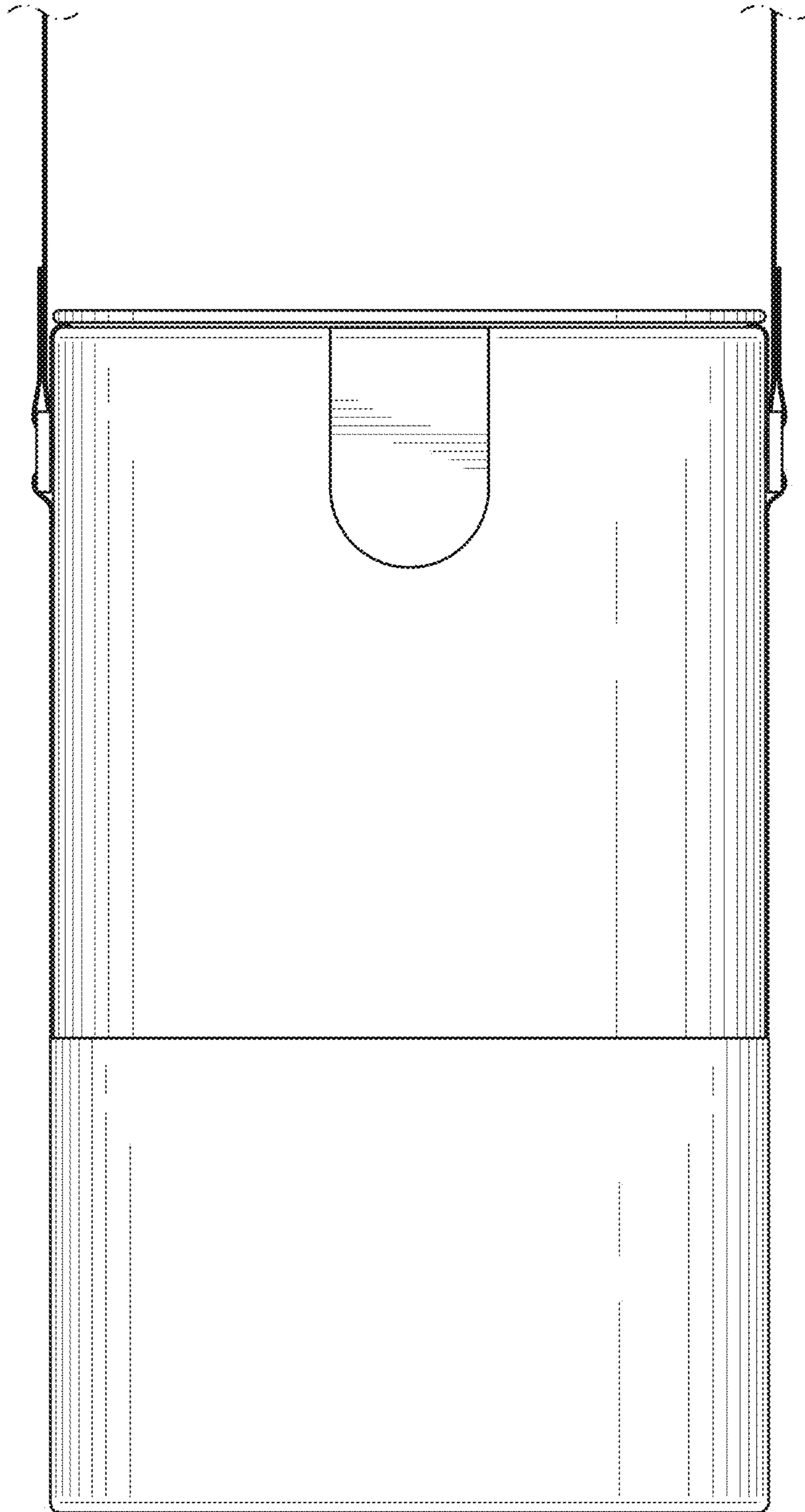


Fig. 15

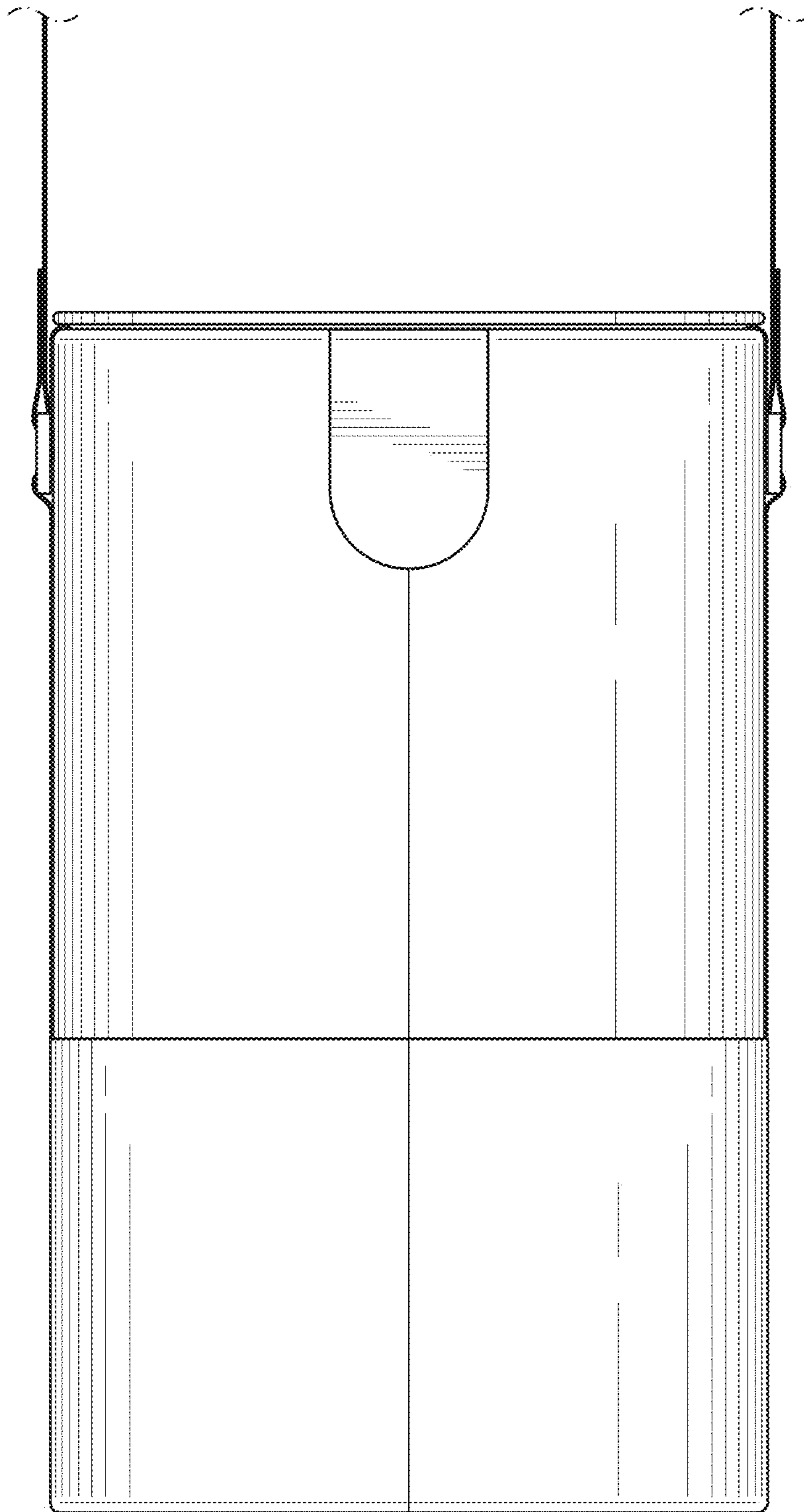


Fig. 16

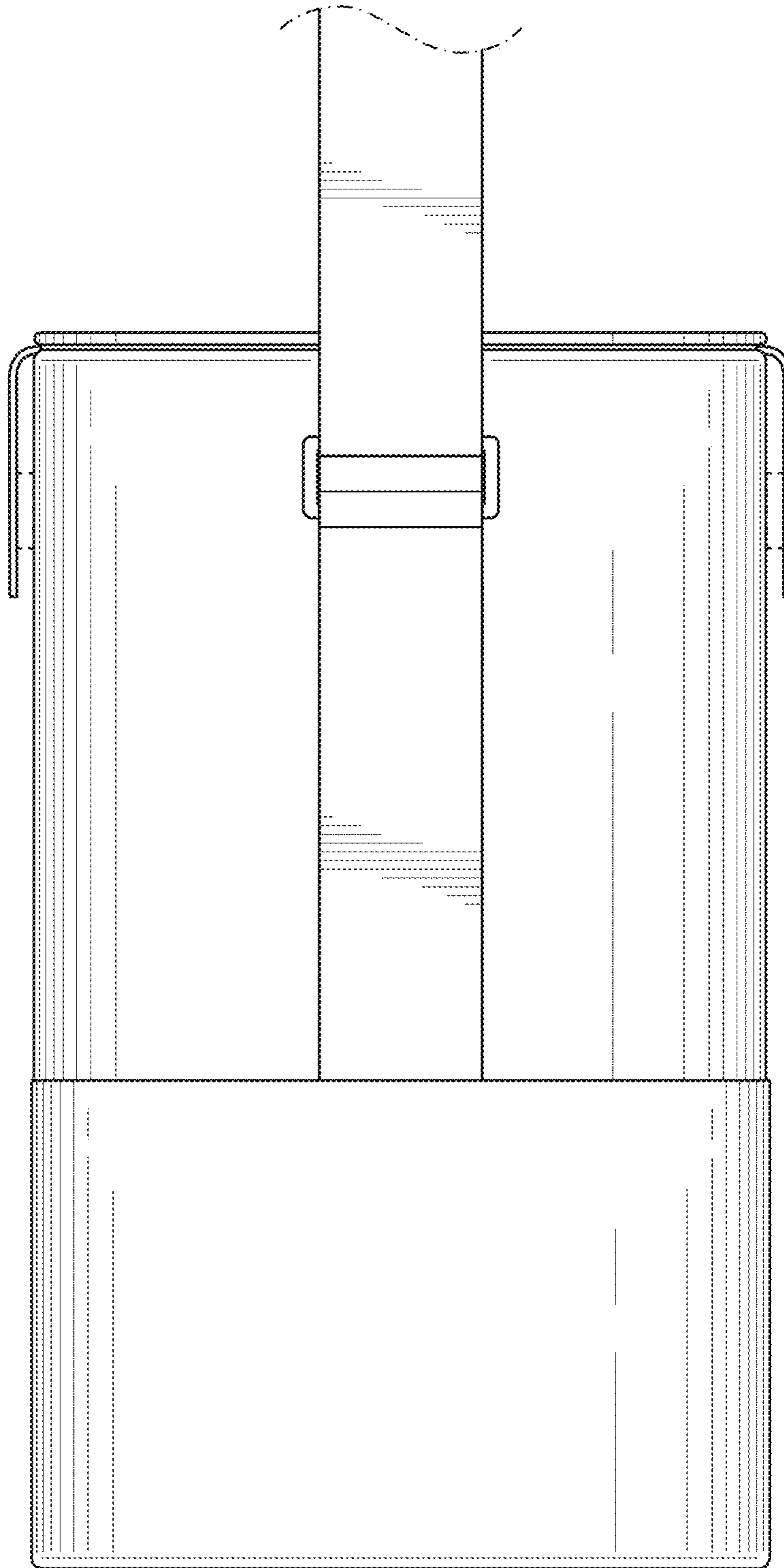


Fig. 17

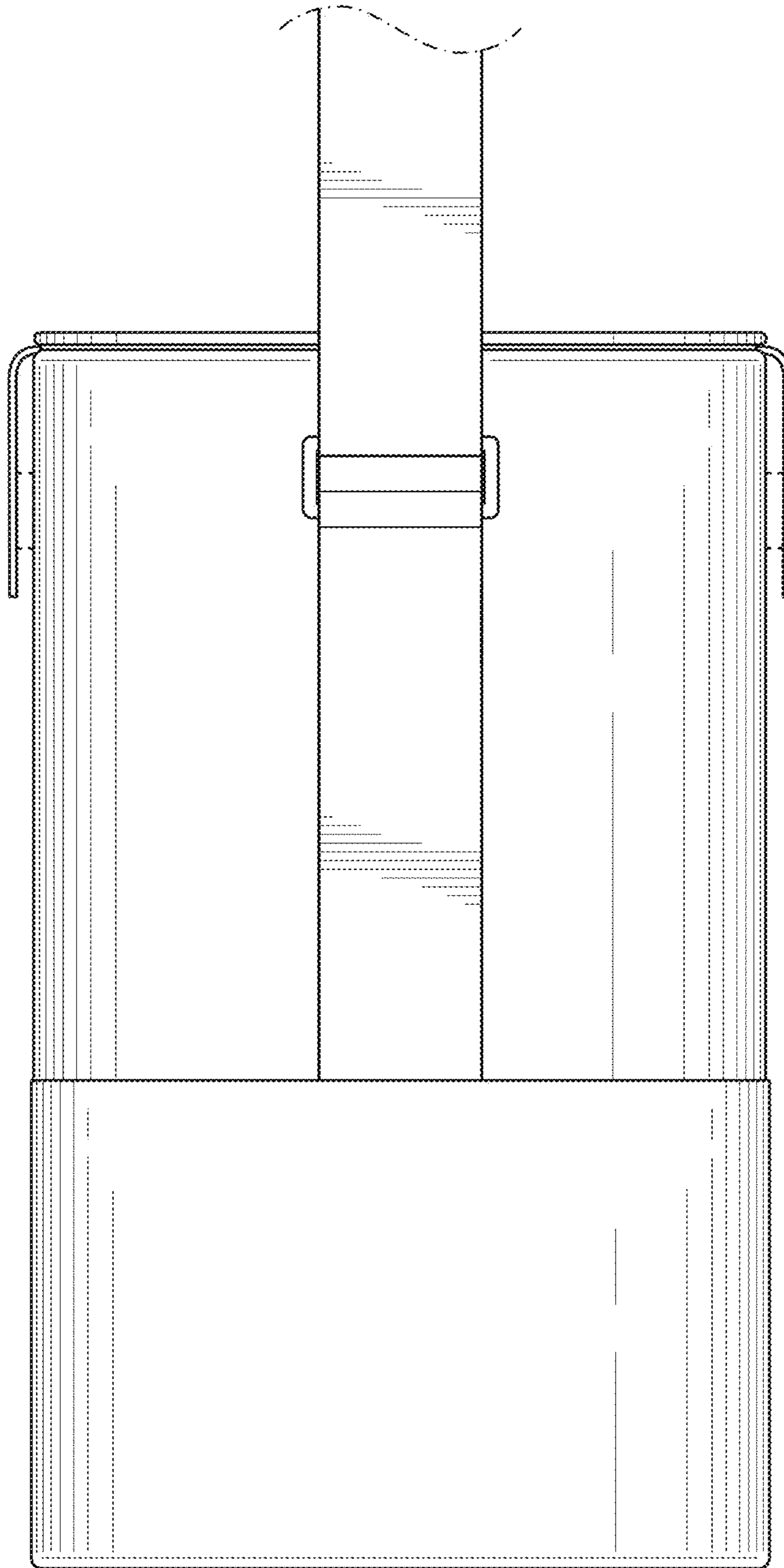


Fig. 18

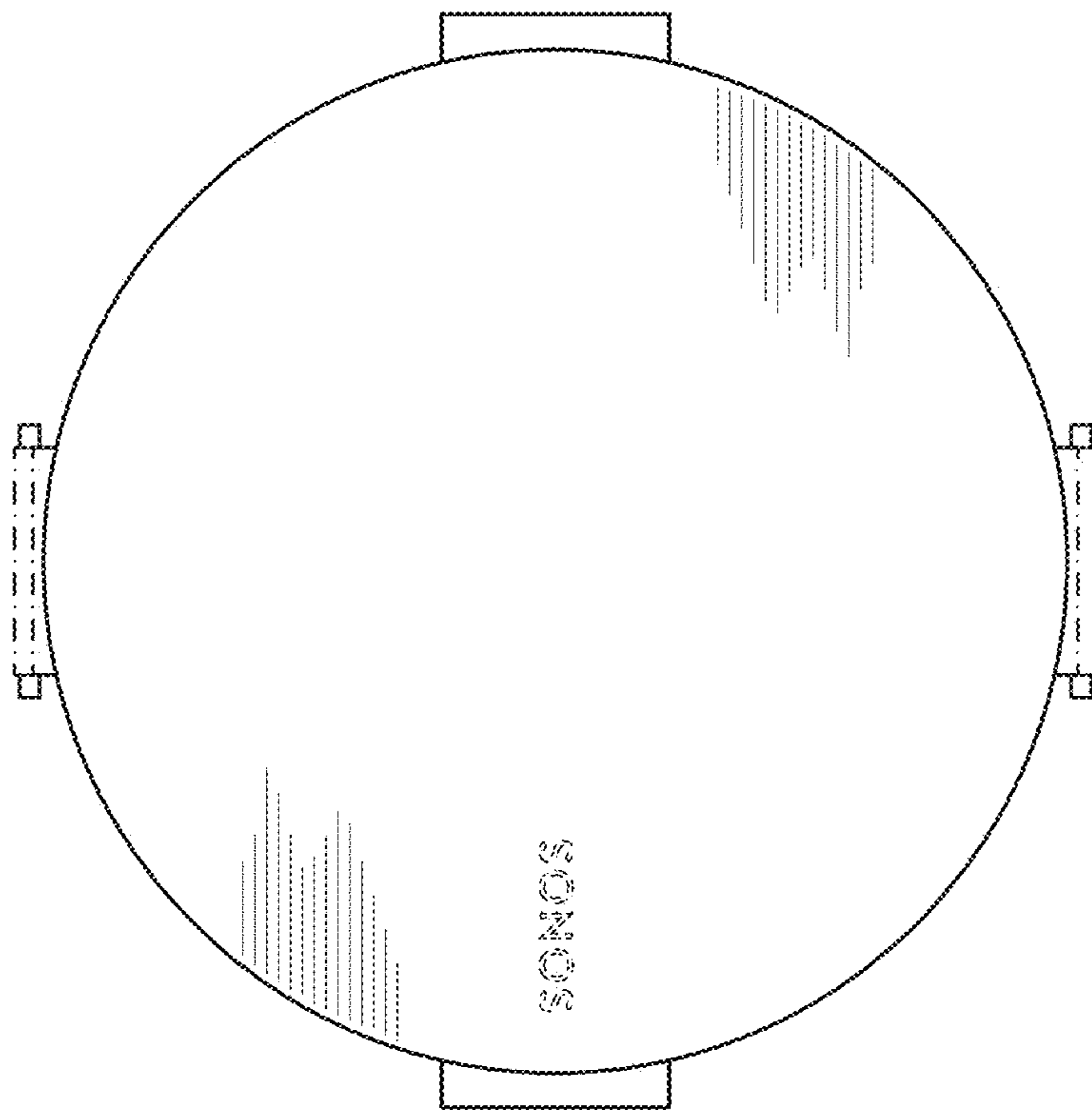


Fig. 19

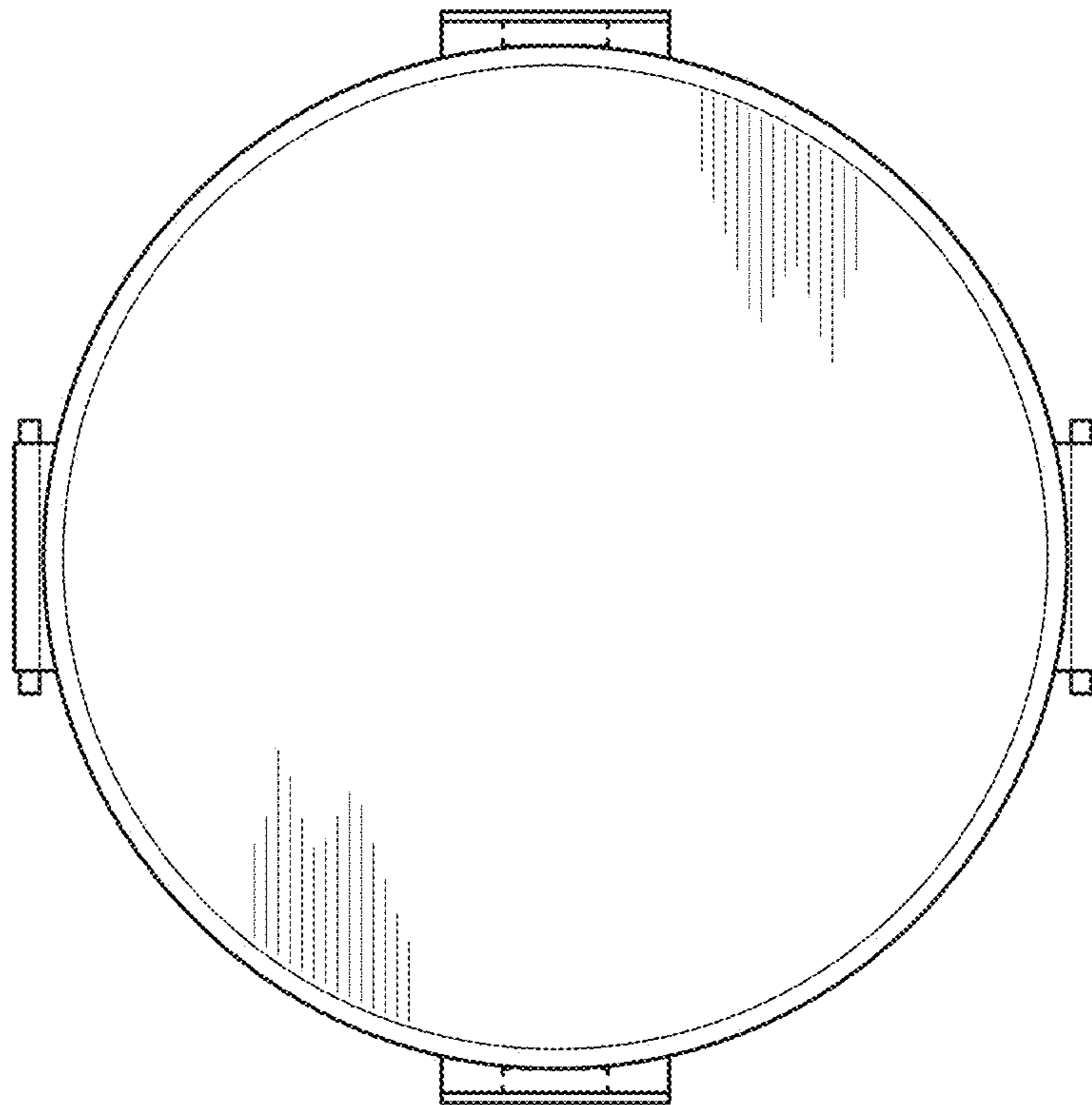


Fig. 20

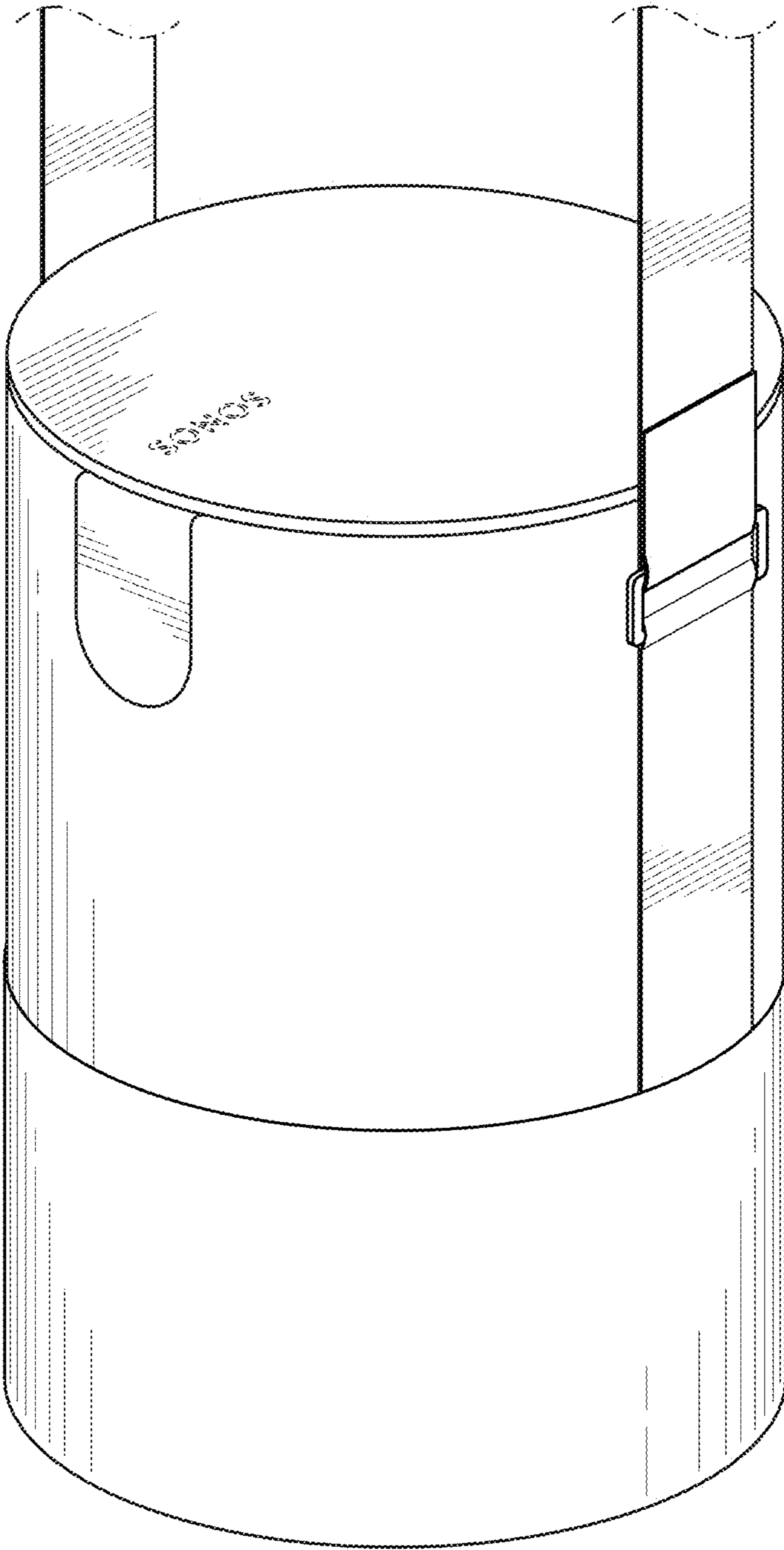


Fig. 21