



US00D971593S

(12) **United States Design Patent**
Wu

(10) **Patent No.:** **US D971,593 S**
(45) **Date of Patent:** **** Dec. 6, 2022**

(54) **MAGNETIC HOLDER FOR PISTOL**

D838,475 S * 1/2019 Tang D3/222
D841,319 S * 2/2019 Tang D3/222
D945,152 S * 3/2022 Wu D3/222

(71) Applicant: **Shenzhen Tactop Industrial Co., Ltd.**,
ShenZhen (CN)

(72) Inventor: **Kaichang Wu**, ShenZhen (CN)

(**) Term: **15 Years**

(21) Appl. No.: **29/795,443**

(22) Filed: **Jun. 18, 2021**

(51) **LOC (13) Cl.** **03-01**

(52) **U.S. Cl.**
USPC **D3/222**

(58) **Field of Classification Search**

USPC D6/552; D3/222–224, 226, 228, 269;
D22/109, 110; D19/90; D13/183
CPC F41A 23/18; B60R 7/14; A45F 3/14; A45F
5/00; A45F 5/021; A45F 5/022; A45F
2200/05; F41C 33/02; F41C 33/06; F41C
33/0209; F41C 33/0236; F41C 33/041;
F41C 33/045; F41C 33/046; F41C
33/0227; F41C 33/0254; F41C 33/0263;
F41C 33/0218

See application file for complete search history.

(56) **References Cited**

U.S. PATENT DOCUMENTS

D457,369 S * 5/2002 Fiscus D6/552
D545,906 S * 7/2007 Wood D19/90
D592,850 S * 5/2009 Shen D3/222
D713,365 S 9/2014 Green
D716,410 S * 10/2014 Wallgren D22/109
D763,599 S * 8/2016 Vinson D6/552

OTHER PUBLICATIONS

TEGE Store, Universal Double Magazine Pouch—Nov. 5, 2021, www.amazon.com, https://www.amazon.com/Universal-Magazine-Holster-Magnetic-Defense/dp/B09L4QZQLR?ref_=ast_sto_dp, 2 pages, retrieved May 21, 2022 (Year: 2021).
tac-top.com website, Magnetic-holster, Sep. 14, 2022, http://www.tac-top.com/product/Magnetic-holster-98.html (Year: 2022).*

* cited by examiner

Primary Examiner — Nathan M Johnston

(57) **CLAIM**

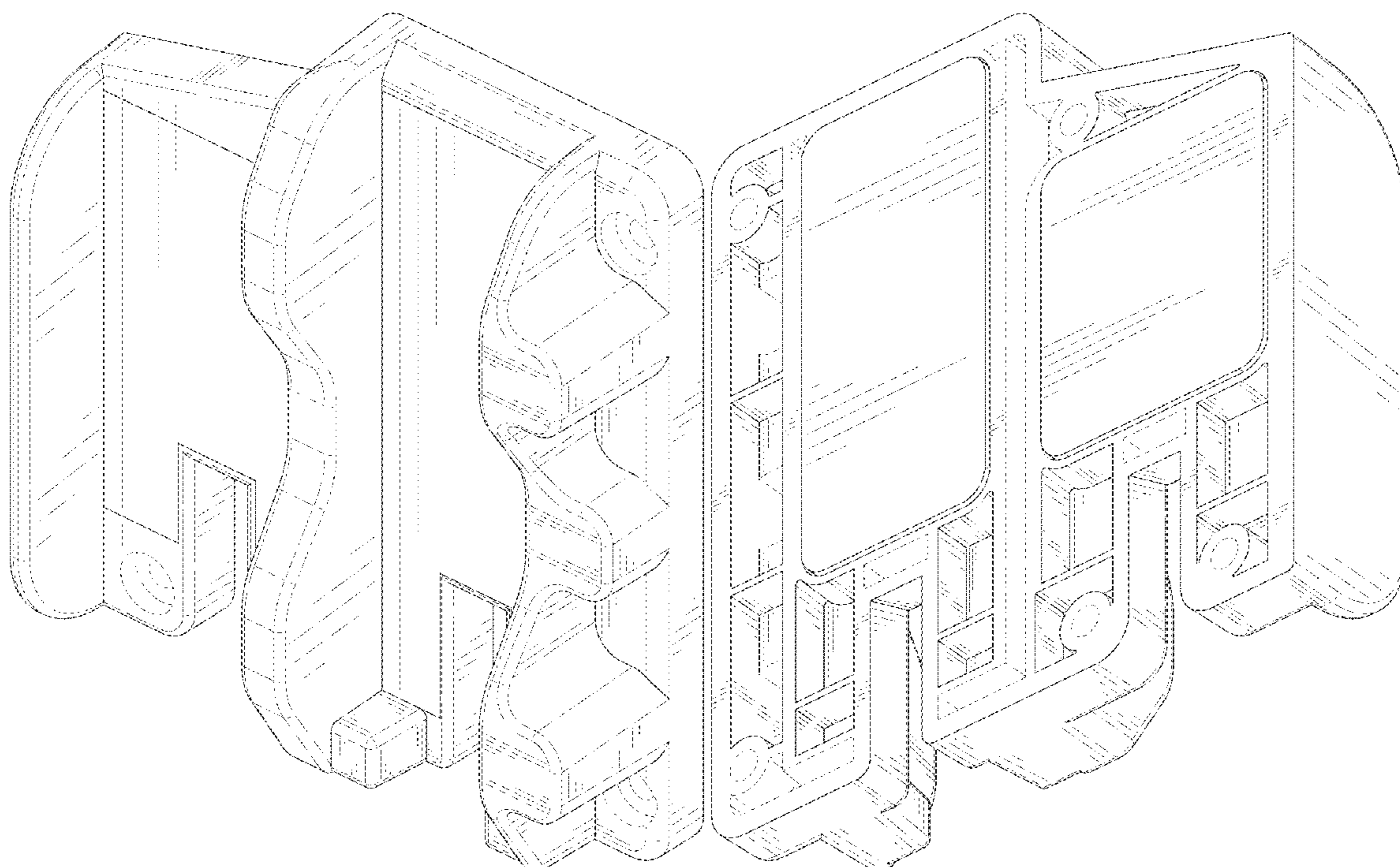
The ornamental design for a magnetic holder for pistol, as shown and described.

DESCRIPTION

FIG. 1 is a front and top perspective view of a magnetic holder for pistol, showing my new design;
FIG. 2 is a rear and bottom perspective view thereof;
FIG. 3 is a front elevation view thereof;
FIG. 4 is a rear elevation view thereof;
FIG. 5 is a left side elevation view thereof;
FIG. 6 is a right side elevation view thereof;
FIG. 7 is a top plan view thereof; and,
FIG. 8 is a bottom plan view thereof.

The broken lines in the figures illustrate portions of the magnetic holder for pistol that form no part of the claimed design.

1 Claim, 8 Drawing Sheets



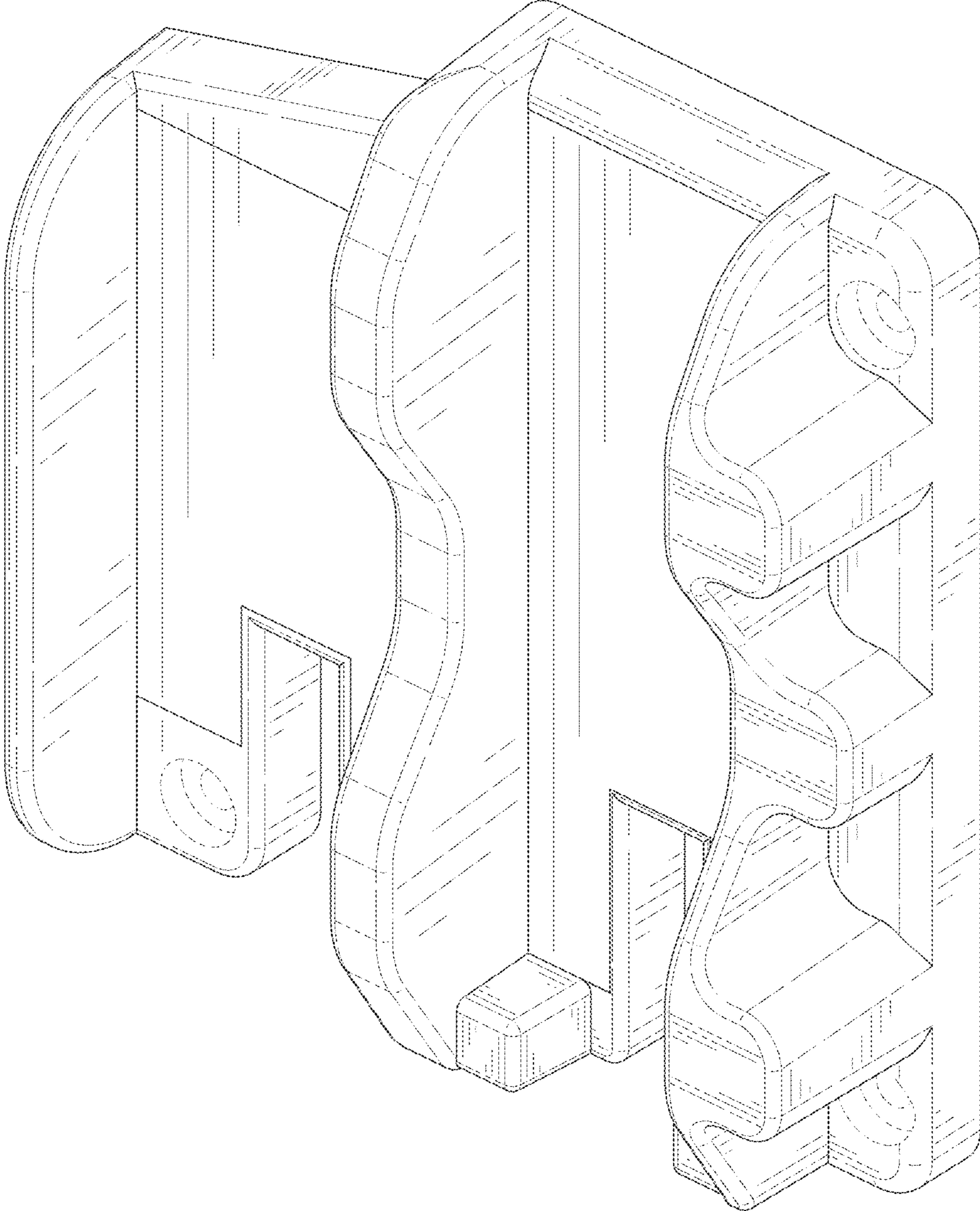


FIG. 1

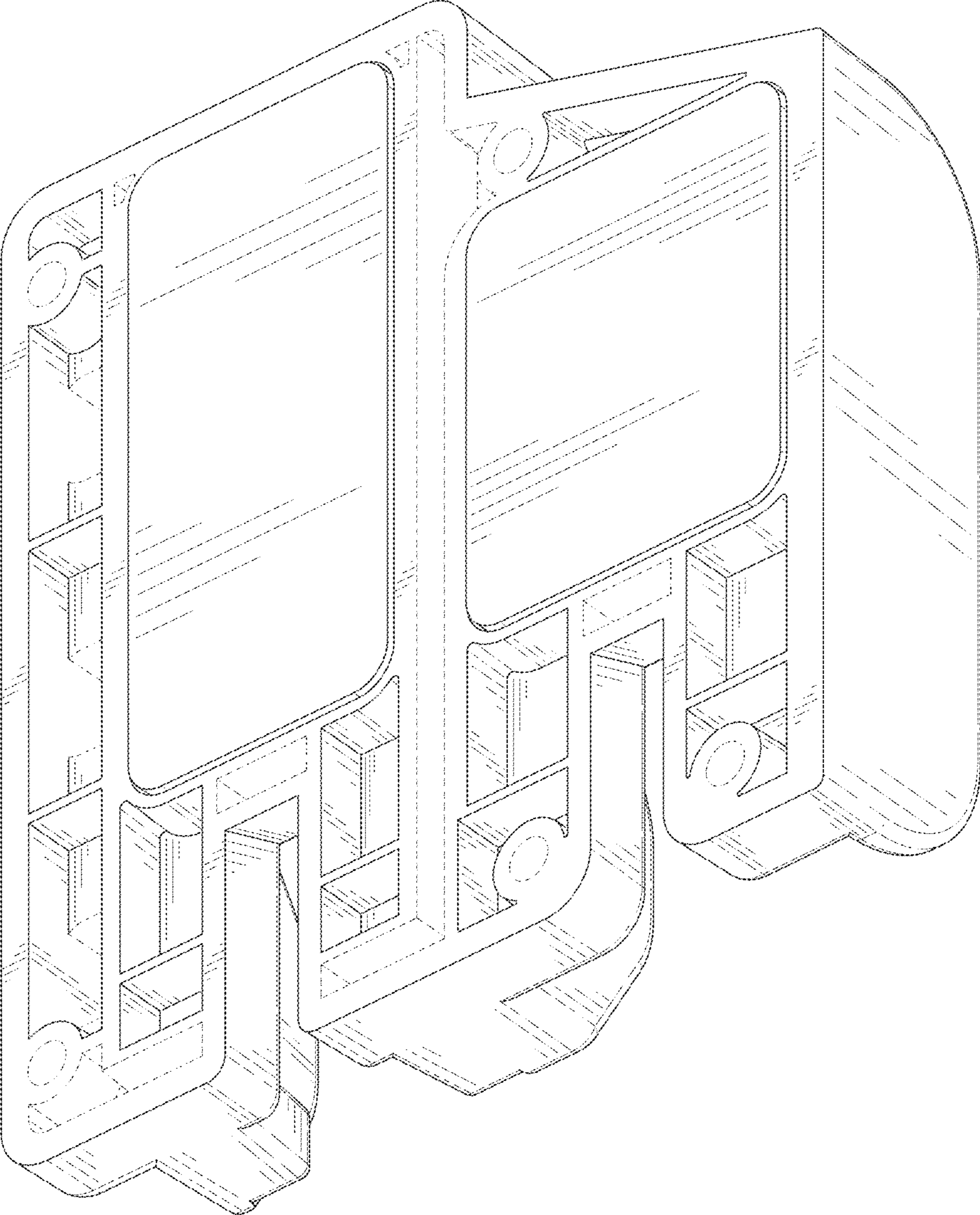


FIG. 2

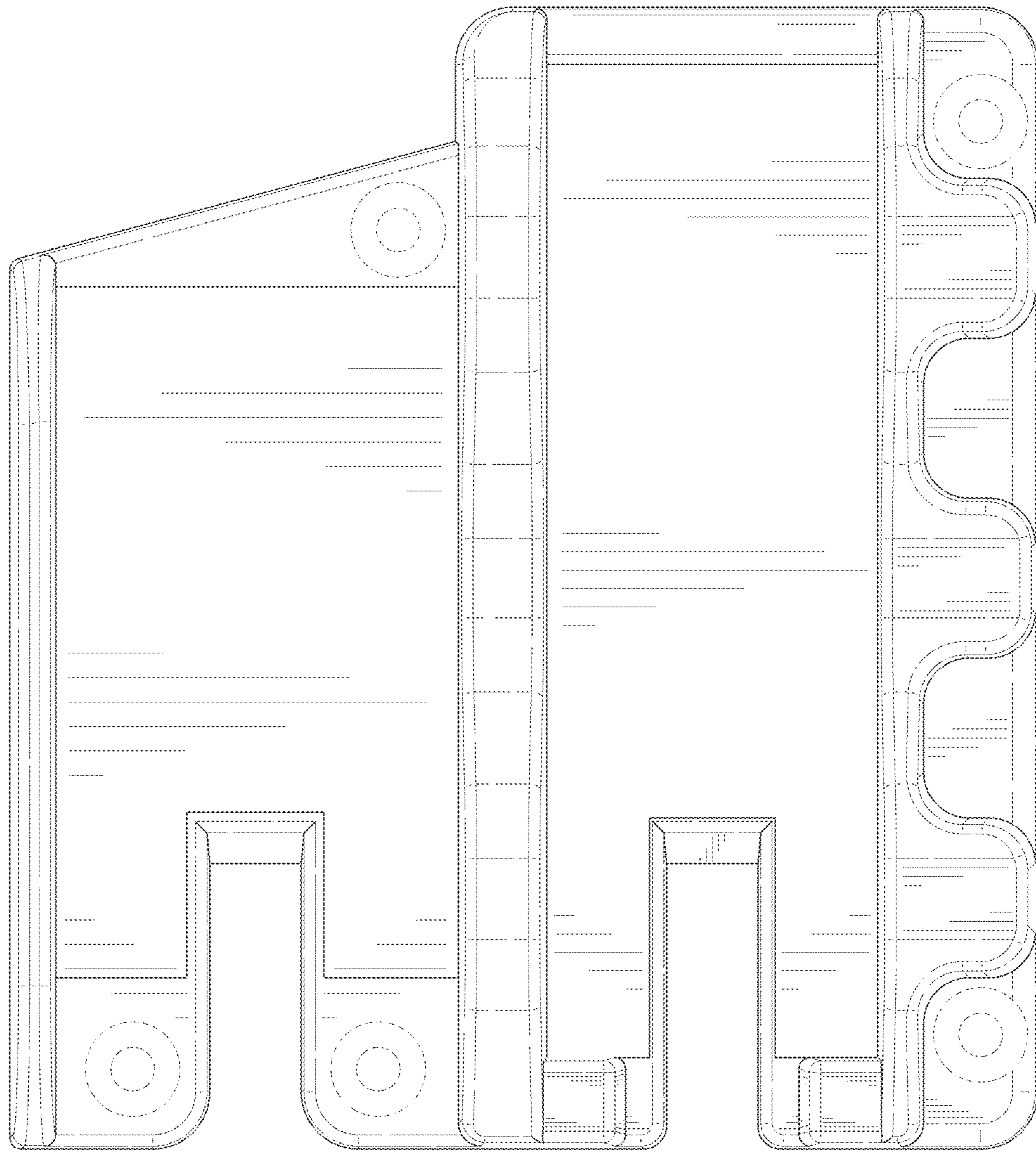


FIG. 3

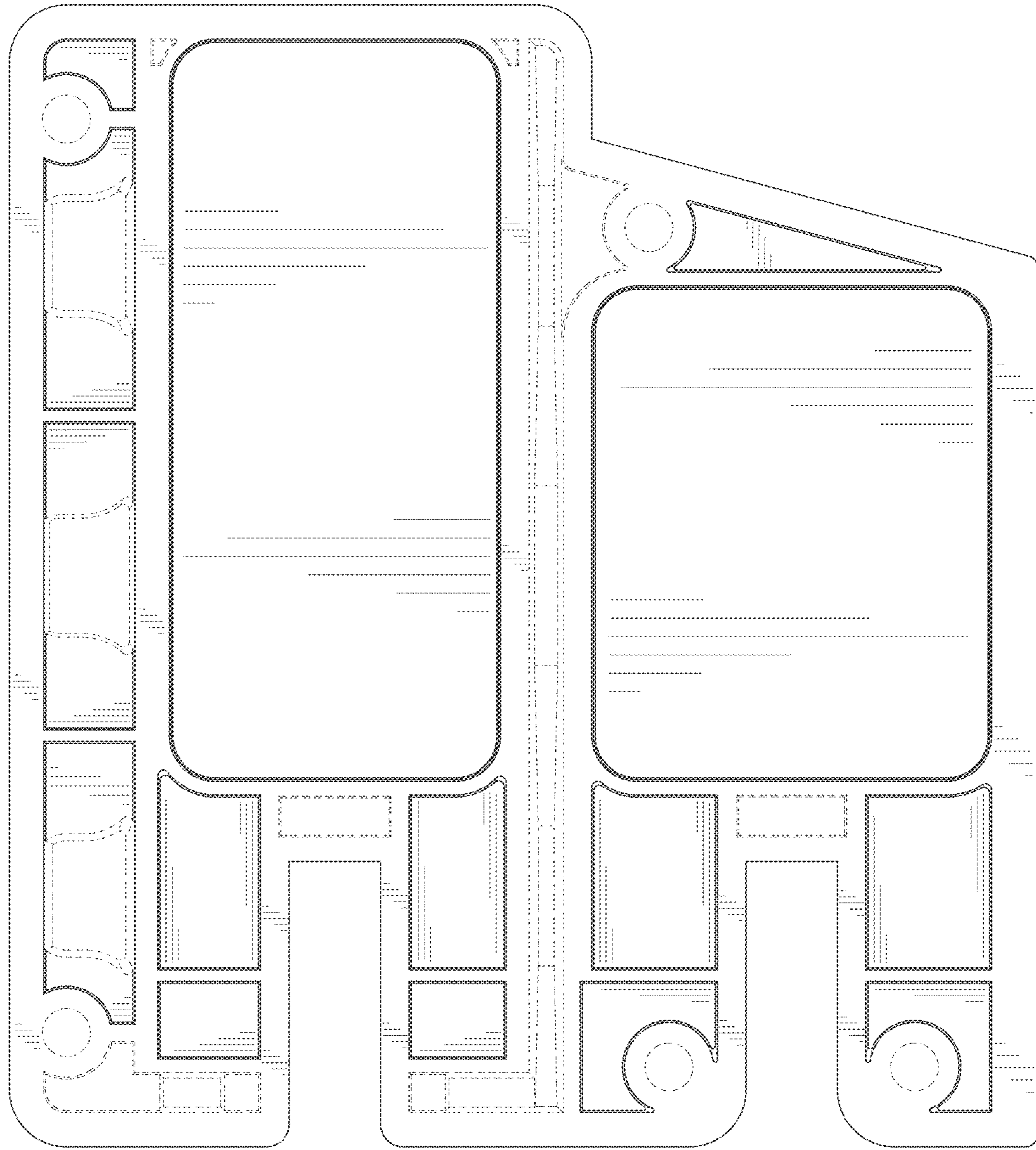


FIG. 4

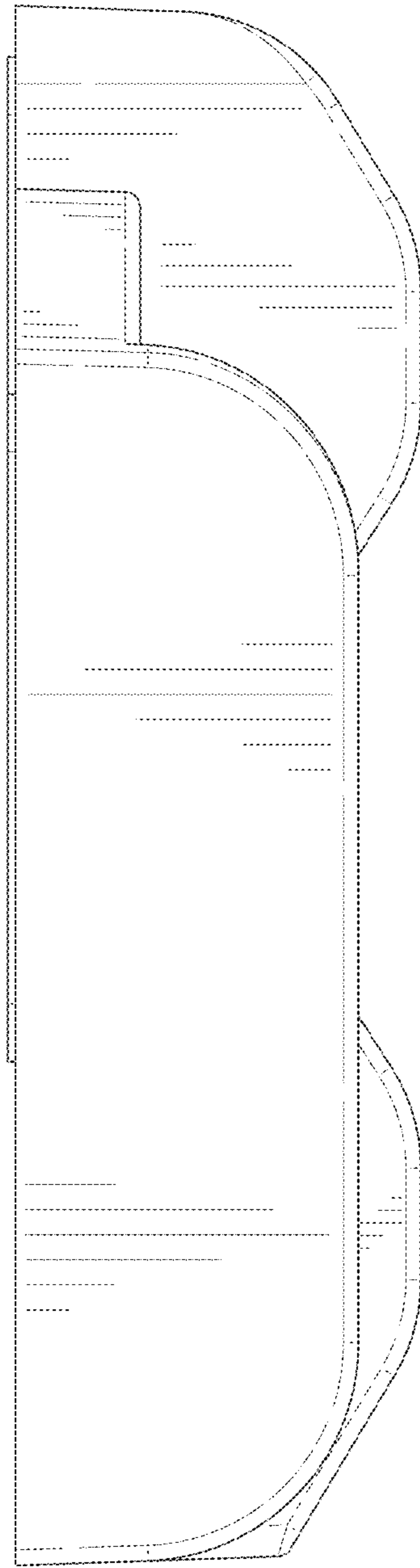


FIG. 5

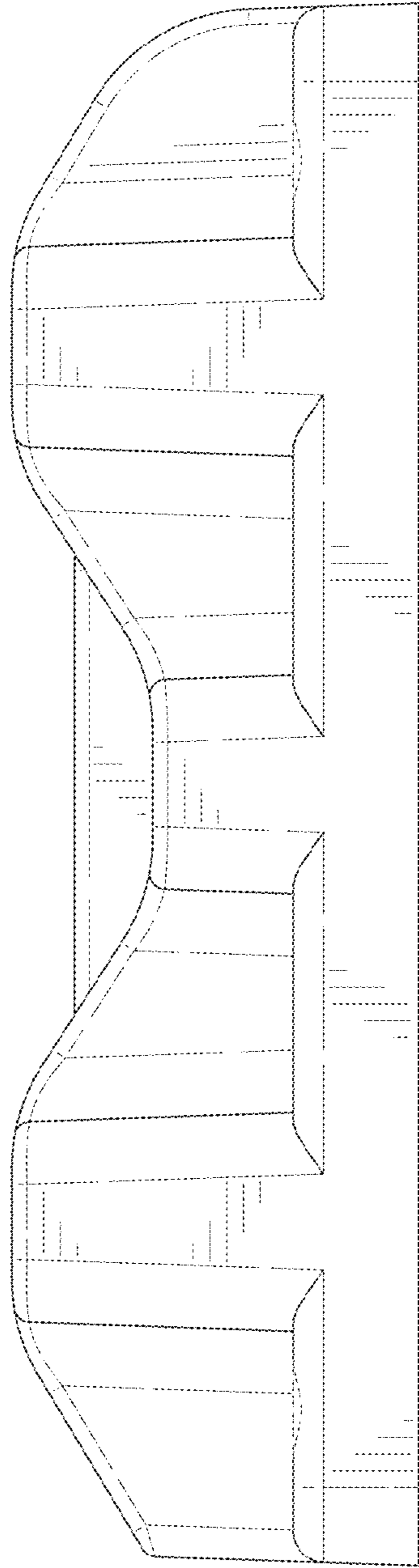


FIG. 6

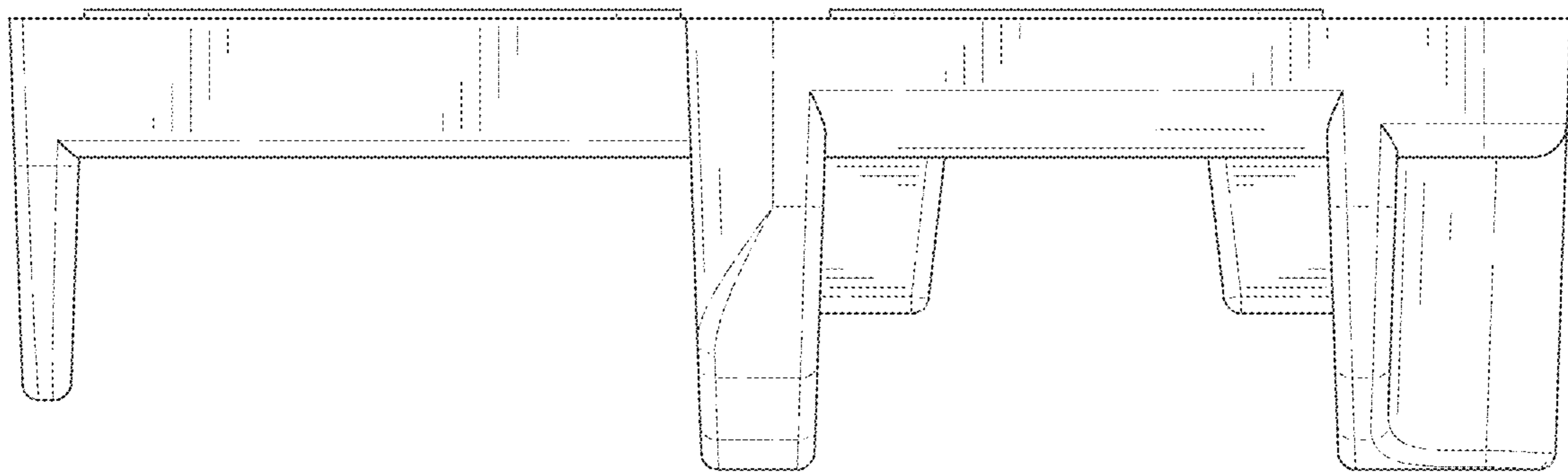


FIG. 7

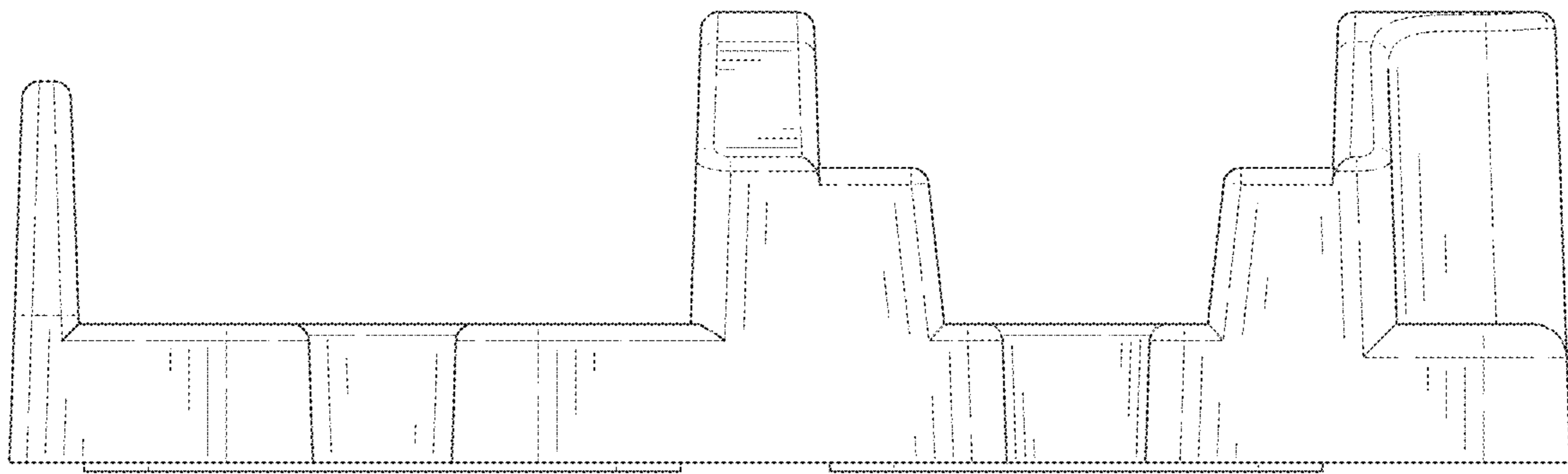


FIG. 8