



US00D971591S

(12) **United States Design Patent**
Hong

(10) **Patent No.:** **US D971,591 S**

(45) **Date of Patent:** **** Dec. 6, 2022**

(54) **FOLDING CRIB DIAPER BACKPACK**

(71) Applicant: **Quanzhou beisaisale Technology Co., Ltd., Jinjiang (CN)**

(72) Inventor: **Yikai Hong, Jinjiang (CN)**

(**) Term: **15 Years**

(21) Appl. No.: **29/780,002**

(22) Filed: **Apr. 22, 2021**

(51) **LOC (13) Cl.** **03-01**

(52) **U.S. Cl.**
USPC **D3/217**

(58) **Field of Classification Search**

USPC D3/213, 214, 216, 217; D6/331, 390,
D6/391, 718.26

CPC A47D 9/00; A47D 13/02; A47D 15/00;
A47D 15/005; A45F 4/00; A45F 4/02;
A45F 4/06; A45C 9/00; A45C 2003/008

See application file for complete search history.

(56) **References Cited**

U.S. PATENT DOCUMENTS

D193,326 S *	8/1962	Hamilton et al.	D6/391
3,159,850 A *	12/1964	Aldrich	A47D 13/02
				D6/390
4,366,587 A *	1/1983	Takada	A47D 13/02
				5/94
D326,772 S *	6/1992	Kennedy	D3/289
5,649,658 A *	7/1997	Hoffman	A47D 5/006
				5/655
5,778,465 A *	7/1998	Myers	A47D 7/04
				5/99.1
D523,656 S	6/2006	Giampavolo		
7,055,191 B1 *	6/2006	Chen	A47D 7/04
				5/98.1
7,055,194 B2 *	6/2006	Arthur	A47D 7/02
				5/100
D620,708 S *	8/2010	Sanz	D3/276
D620,724 S	8/2010	Presnell		
D625,102 S *	10/2010	Jacobs	D3/289

D652,227 S *	1/2012	Crumrine	D6/333
8,336,136 B1 *	12/2012	Lantos	A47L 9/1683
				5/100
D680,760 S *	4/2013	Hsu	D6/331
8,566,988 B2 *	10/2013	Son	A47D 9/00
				5/99.1
8,640,278 B2 *	2/2014	You	A47D 13/063
				5/99.1

(Continued)

OTHER PUBLICATIONS

Itacia Baby Diaper Bag Backpack, amazon.com, https://www.amazon.com/ITACIA-baby-diaper-bag-backpack/dp/B09THP9NXJ/ref=sr_1_1?keywords=Itacia&qid=1650371593&sr=8-1&th=1 (Year: 2021).*

(Continued)

Primary Examiner — Steven J Czyz

(74) *Attorney, Agent, or Firm* — Rumit R. Kanakia

(57) **CLAIM**

The ornamental design for a folding crib diaper backpack, as shown and described.

DESCRIPTION

FIG. 1 is a front view of a folding crib diaper backpack showing my new design;

FIG. 2 is a rear view thereof;

FIG. 3 is a left side view thereof;

FIG. 4 is a right side view thereof;

FIG. 5 is a top view thereof;

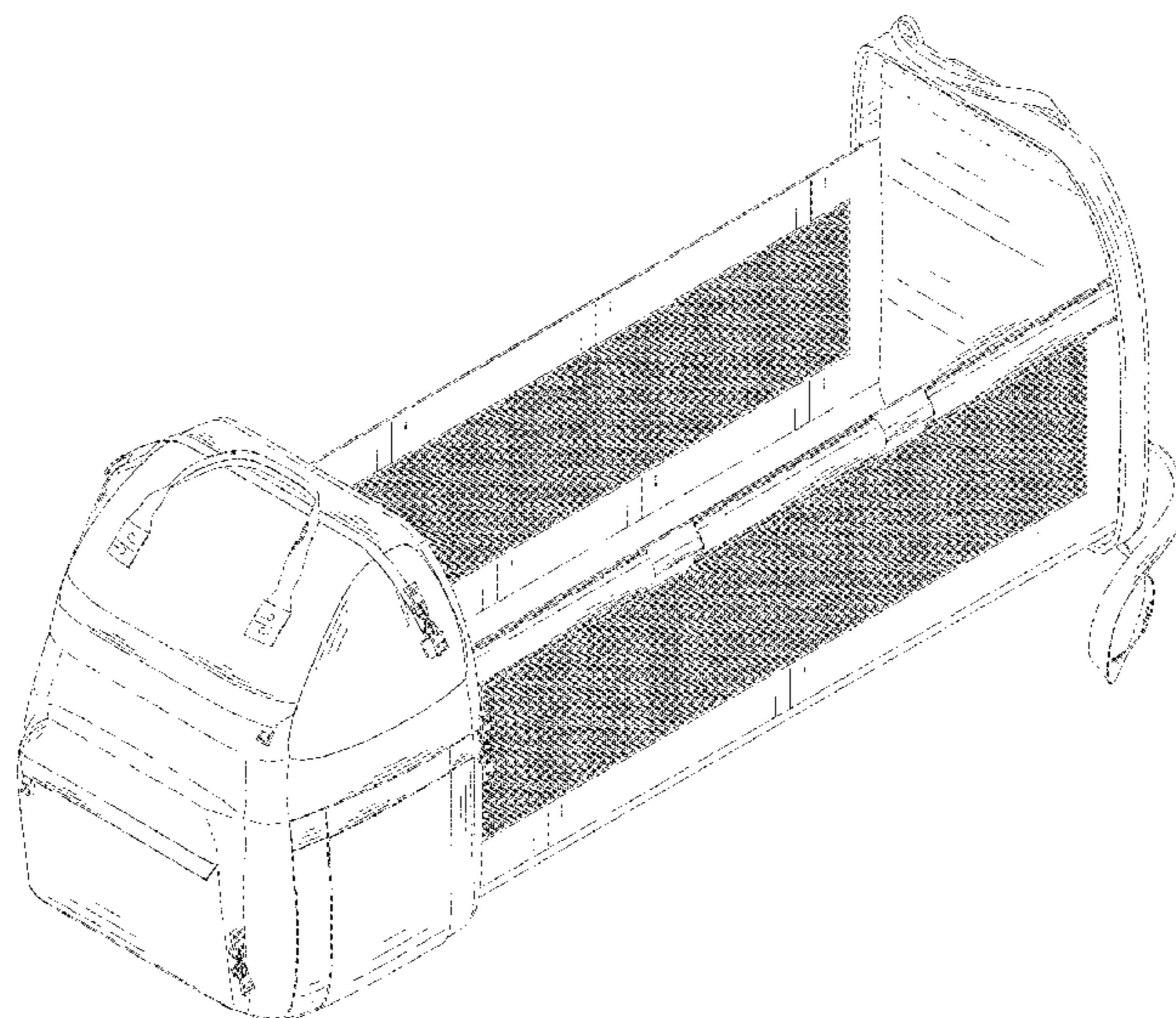
FIG. 6 is a bottom view thereof;

FIG. 7 is a perspective view of a folding crib diaper backpack showing its cover is open; and,

FIG. 8 is the second perspective view of a folding crib diaper backpack showing its cover is closed.

The broken lines in the figures are for the purposes of illustrating portions of the folding crib diaper backpack, which form no part of the claimed design.

1 Claim, 8 Drawing Sheets



(56)

References Cited

U.S. PATENT DOCUMENTS

D714,072 S 9/2014 Nadeau
 D782,820 S * 4/2017 Thompson D3/289
 D804,217 S * 12/2017 Festa D6/391
 9,986,849 B2 * 6/2018 Sclare A47D 7/03
 D829,435 S * 10/2018 Viger D3/217
 D842,000 S 3/2019 Benedito Graells
 D842,001 S 3/2019 Benedito Graells
 D843,107 S * 3/2019 Swaggart D3/217
 D854,817 S * 7/2019 Rabe D3/217
 10,477,981 B2 * 11/2019 Burns A47D 9/005
 D877,527 S * 3/2020 Gopaul D6/390
 D879,464 S * 3/2020 Vario, Jr. D3/217
 D880,847 S * 4/2020 Huang D3/217
 D885,042 S * 5/2020 Li D3/217
 D891,143 S * 7/2020 Ren D6/718.26
 10,702,048 B1 * 7/2020 Guterman A45F 3/04
 D895,272 S * 9/2020 Zhitian D3/217
 D900,501 S * 11/2020 Hu D6/390
 D901,878 S * 11/2020 Ji D3/217
 D902,582 S * 11/2020 Huang D3/217
 D905,462 S * 12/2020 Jeidel D6/391
 D906,699 S * 1/2021 Healy D6/331
 D909,050 S * 2/2021 Bloom D3/216
 D909,772 S * 2/2021 Lu D6/331
 D911,024 S * 2/2021 Rabe D3/217
 10,945,518 B1 * 3/2021 Lutin A45F 4/02
 D915,768 S * 4/2021 Lin D3/289
 D919,962 S * 5/2021 Shi D3/217
 D920,588 S * 5/2021 Chen D30/108
 D924,561 S * 7/2021 Gilbert D3/217
 D925,230 S * 7/2021 Huang D3/317
 D927,882 S * 8/2021 Hu A45F 3/14
 D936,996 S * 11/2021 Van Staveren A47D 9/02
 D938,163 S * 12/2021 Lyu A45F 3/04
 D941,013 S * 1/2022 Qiu A45C 3/001
 D941,014 S * 1/2022 Ren A45C 3/001
 D942,140 S * 2/2022 Fan A47D 7/04
 D942,770 S * 2/2022 Ou A45C 13/02
 D6/391

D944,006 S * 2/2022 Windenberger A47D 5/006
 D3/217
 D945,768 S * 3/2022 He A45F 3/04
 D3/217
 D946,267 S * 3/2022 He A45F 4/02
 D3/217
 D946,884 S * 3/2022 Maduro A45C 13/02
 D3/217
 D946,912 S * 3/2022 Wu A45F 4/02
 D6/331
 D947,525 S * 4/2022 Liao A47D 9/005
 D3/217
 D947,536 S * 4/2022 Liang D3/217
 2003/0024960 A1 * 2/2003 Greenstein A45C 13/02
 224/608
 2003/0057239 A1 * 3/2003 Godshaw A45F 4/02
 224/580
 2008/0022457 A1 * 1/2008 Wu A47D 7/03
 5/99.1
 2009/0077742 A1 * 3/2009 Burns A47D 7/04
 5/99.1
 2010/0213020 A1 * 8/2010 Lynch-Ringvold A45C 13/02
 190/110
 2011/0314608 A1 * 12/2011 Rovin A47D 5/006
 5/655
 2013/0188892 A1 * 7/2013 Bevier A45C 3/001
 383/104
 2014/0202814 A1 * 7/2014 Collins A45C 3/001
 190/113
 2016/0102427 A1 * 4/2016 Cohen A45F 3/04
 224/645
 2017/0360216 A1 * 12/2017 Sclare A47D 9/02
 2019/0082817 A1 * 3/2019 Ji A45F 3/04
 2021/0000264 A1 * 1/2021 Franks A45F 3/14
 2021/0244164 A1 * 8/2021 Lin A45F 4/06
 2022/0047093 A1 * 2/2022 Bates A45C 15/00

OTHER PUBLICATIONS

Adebo Diaper Bag Backpack, amazon.com, https://www.amazon.com/Adebo-Backpack-Upgraded-Multi-Functional-Changing/dp/B08P364V5Q?ref=ast_sto_dp&th=1 (Year: 2021).*
 LexiRoman Diaper Bag Backpack, amazon.com, https://www.amazon.com/Backpack-Multi-Function-Waterproof-Foldable-Durable-Light/dp/B093C2VXNV/ref=sr_1_5?keywords=LexiRoman&qid=1650371733&sr=8-5&th=1 (Year: 2021).*

* cited by examiner

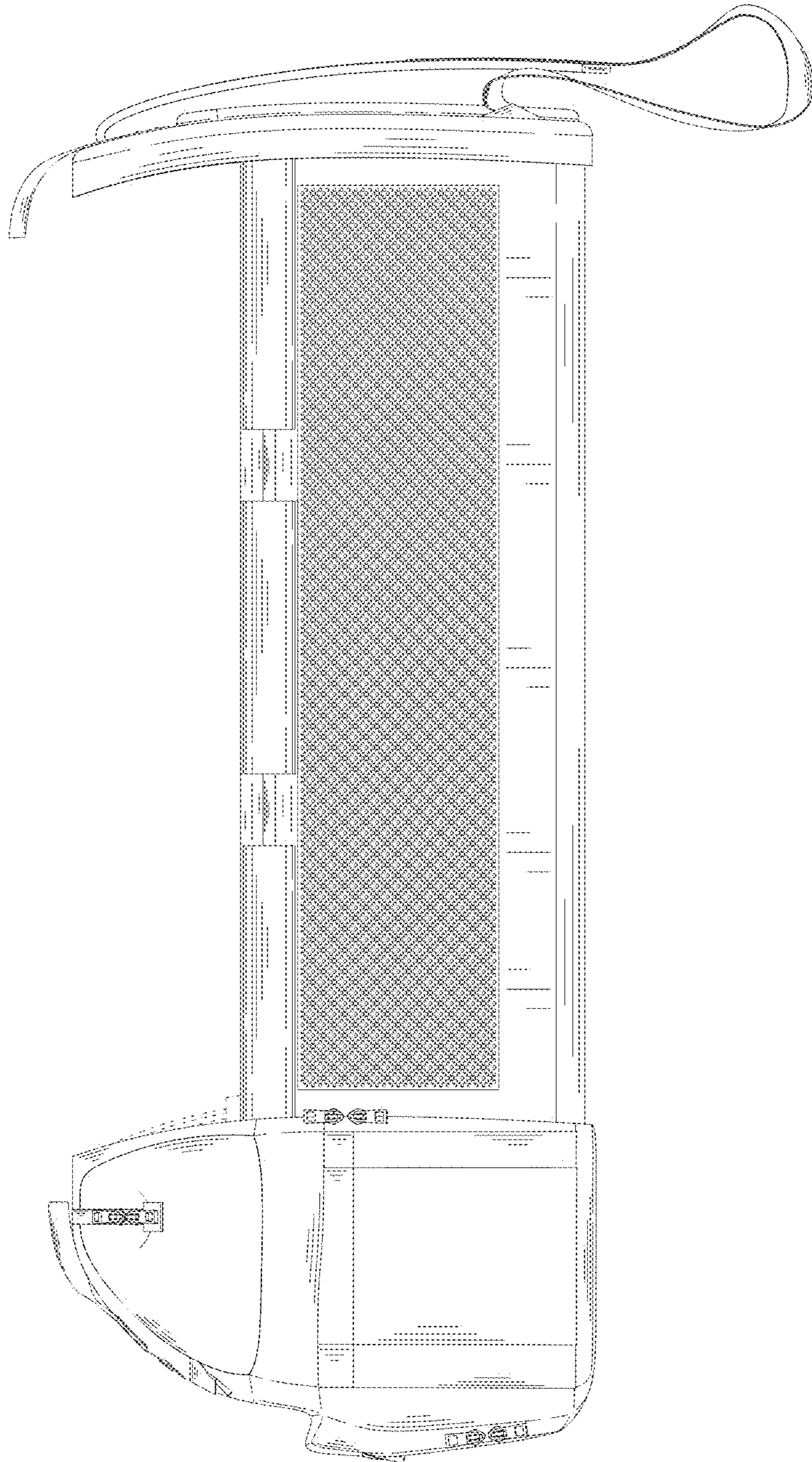


FIG. 1

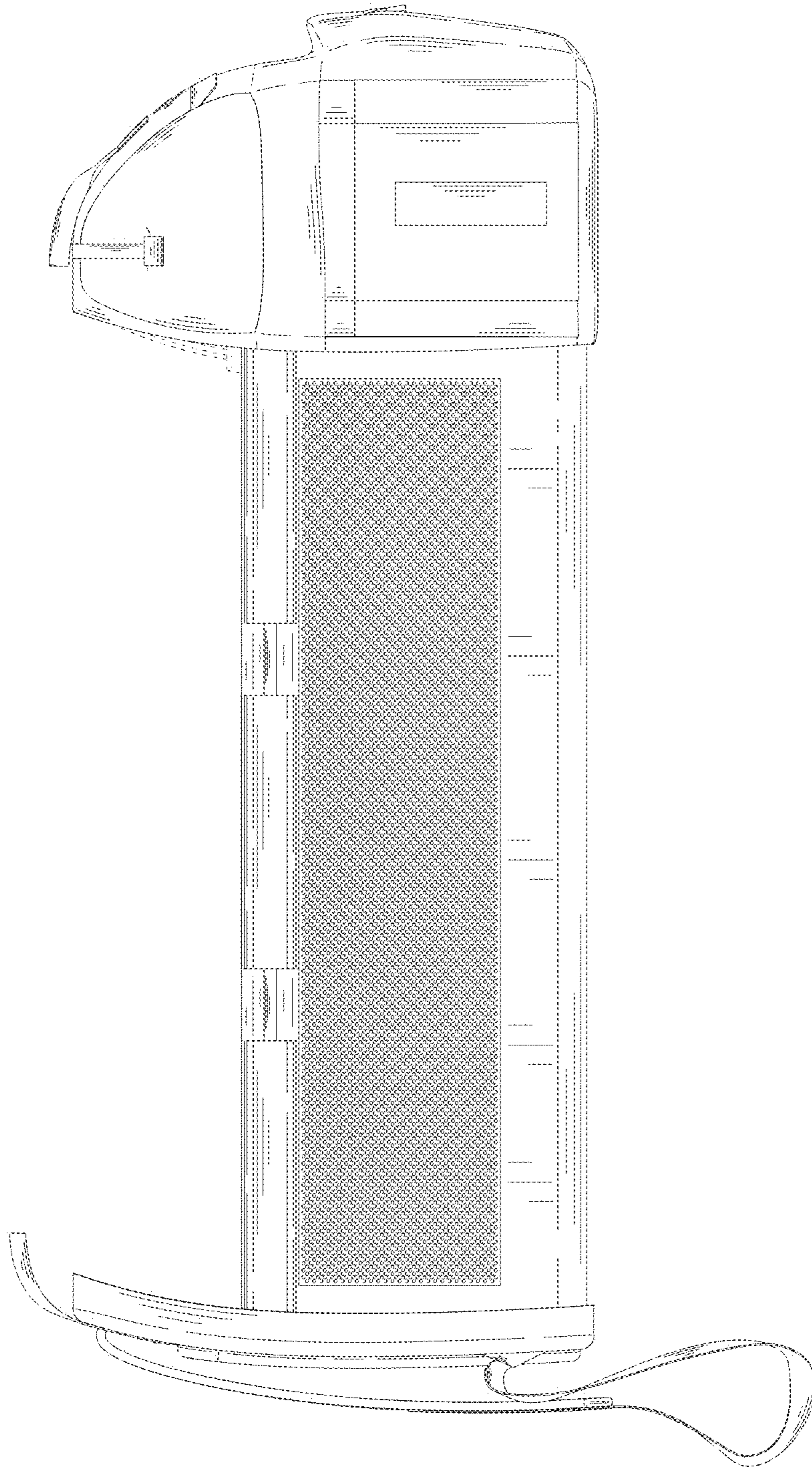


FIG. 2

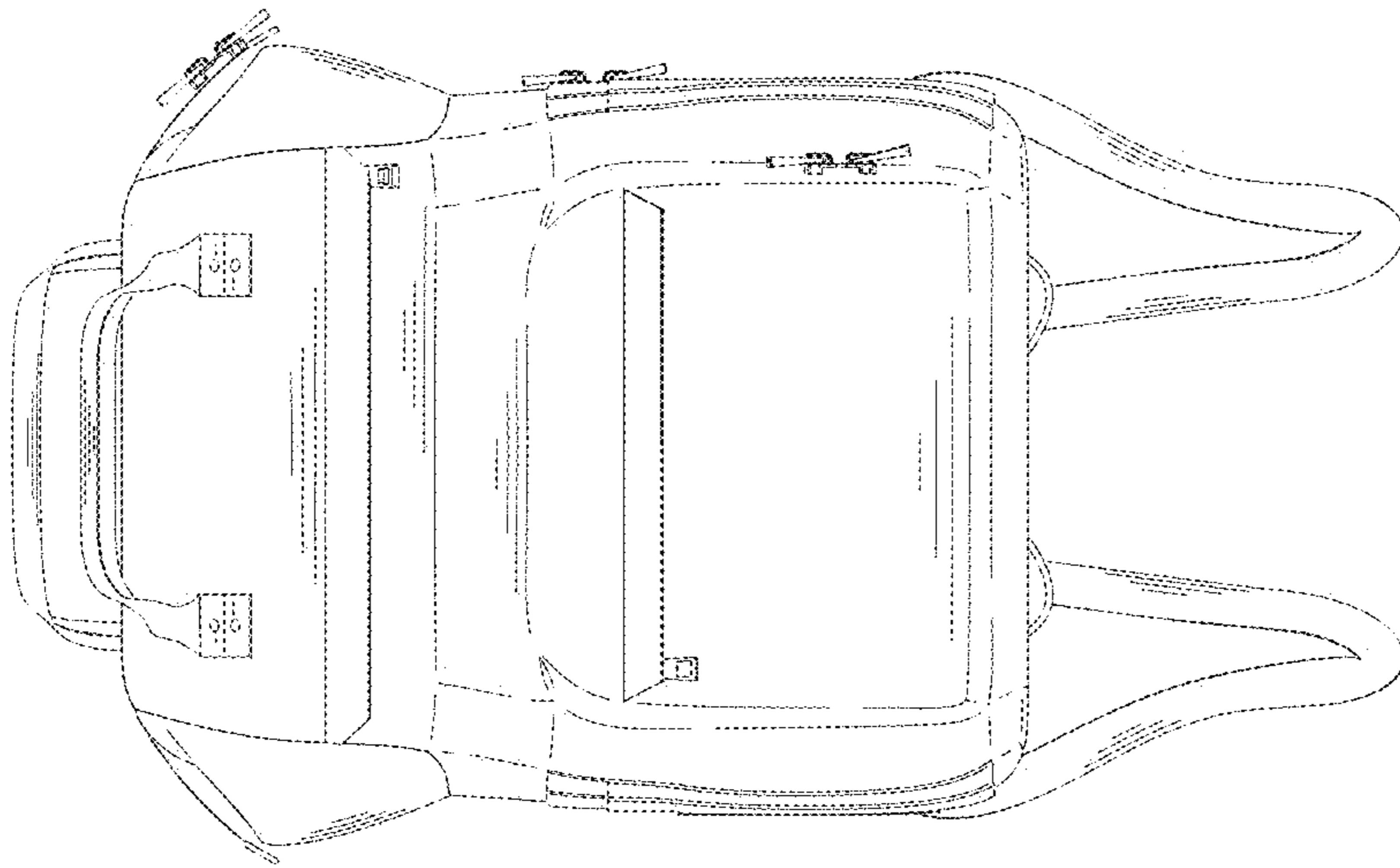


FIG. 3

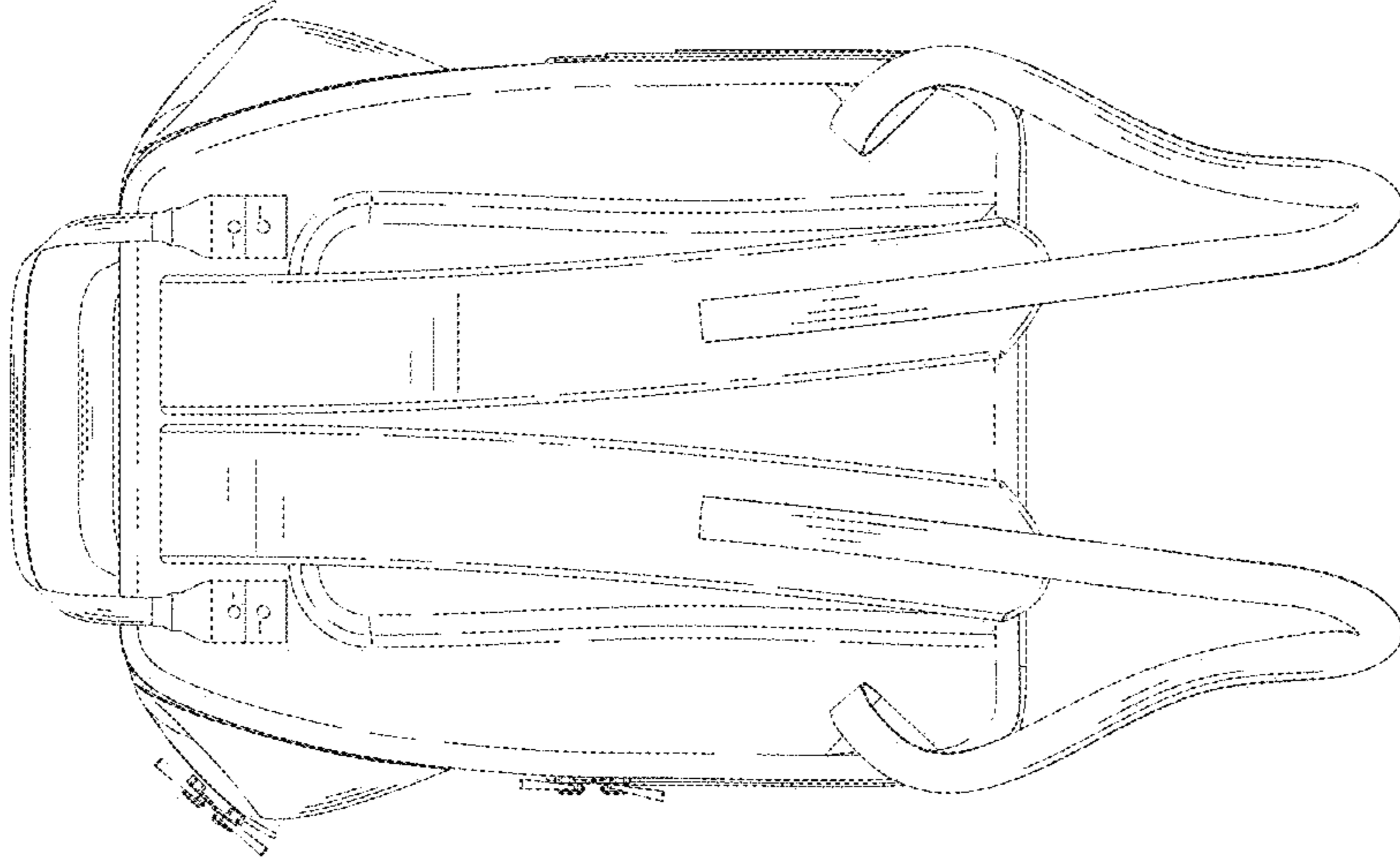


FIG. 4

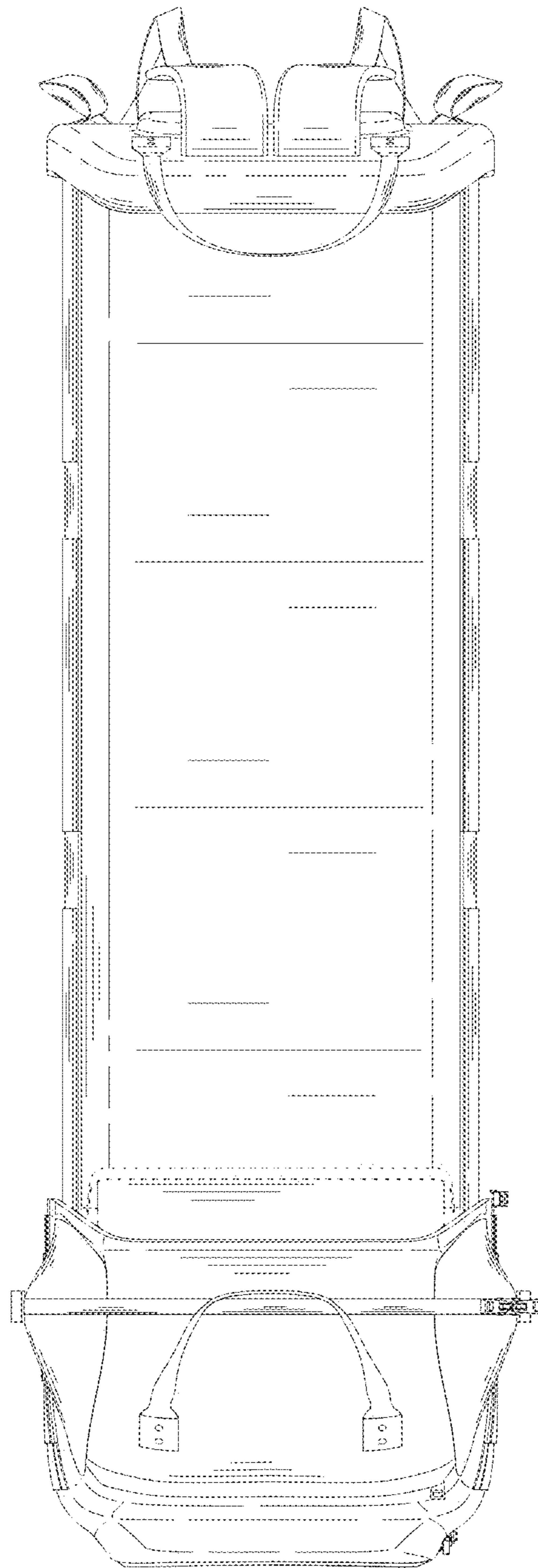


FIG. 5

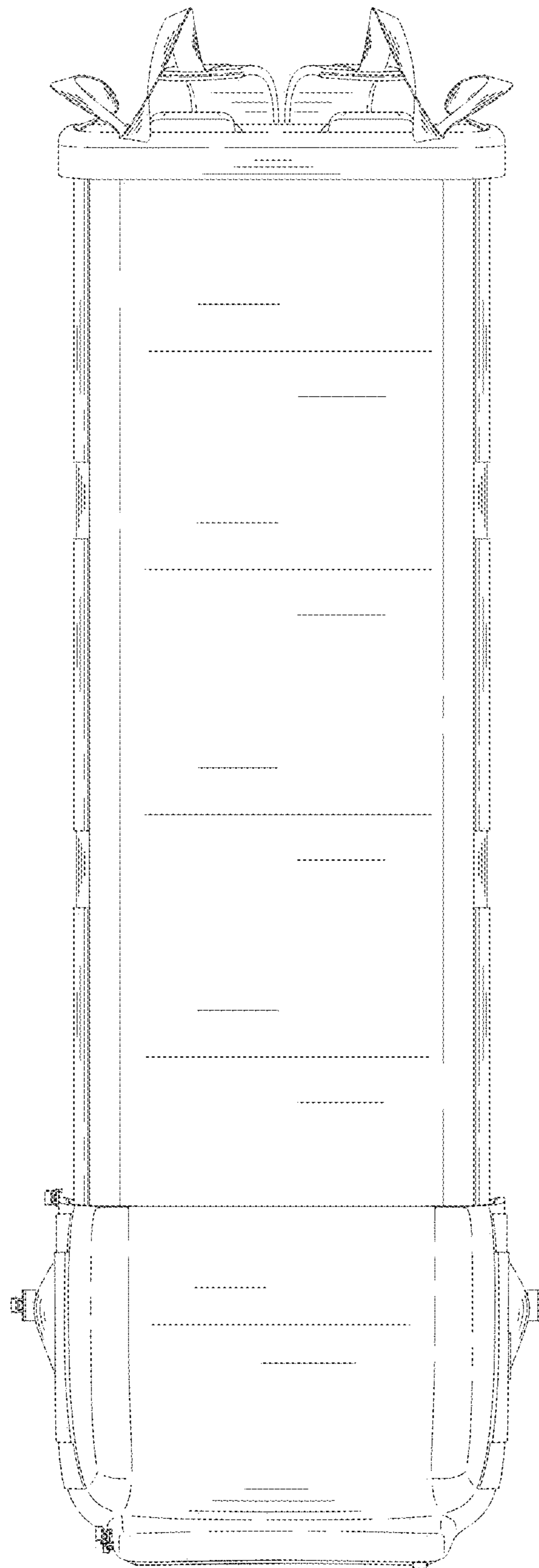


FIG. 6

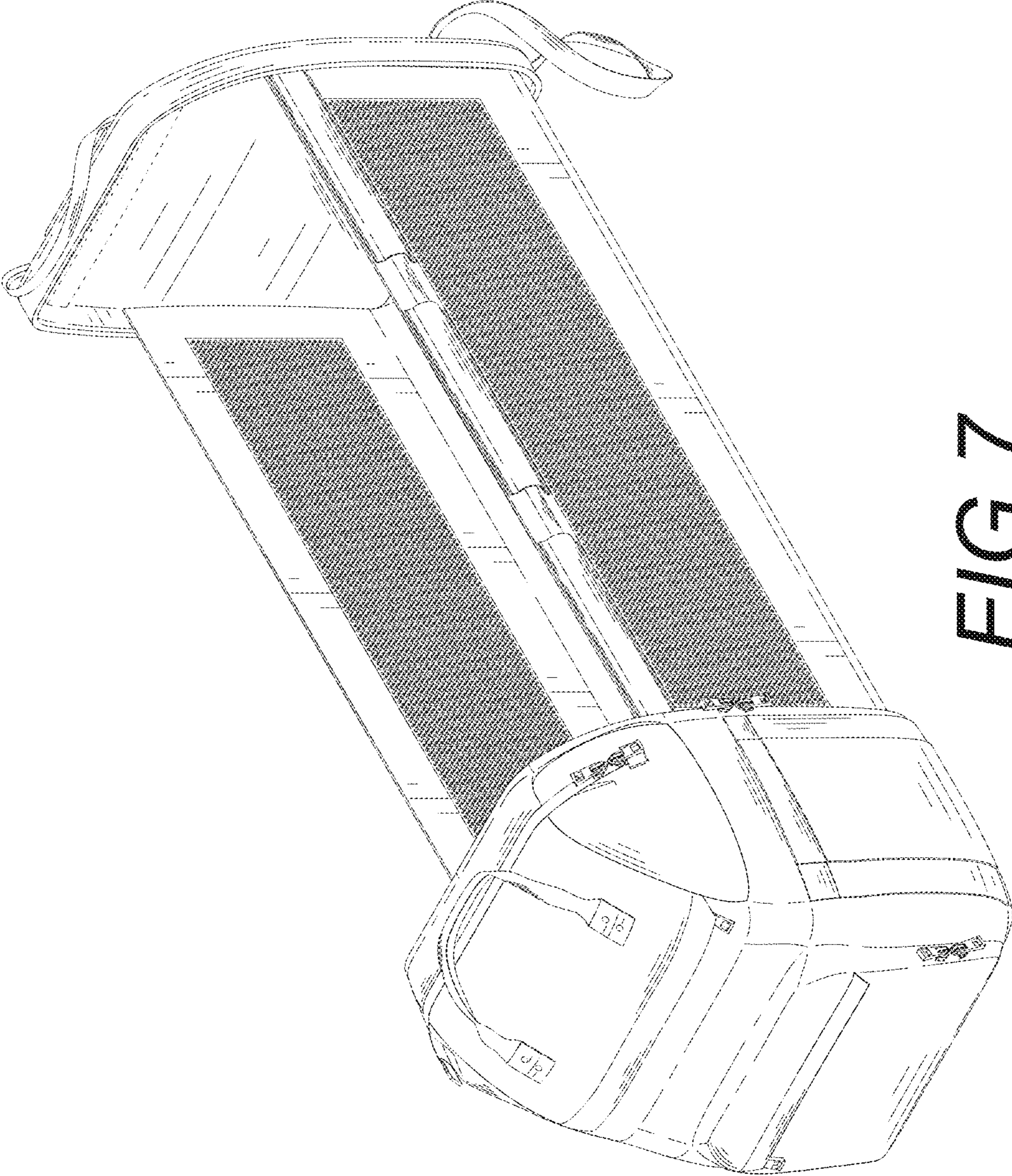


FIG. 7

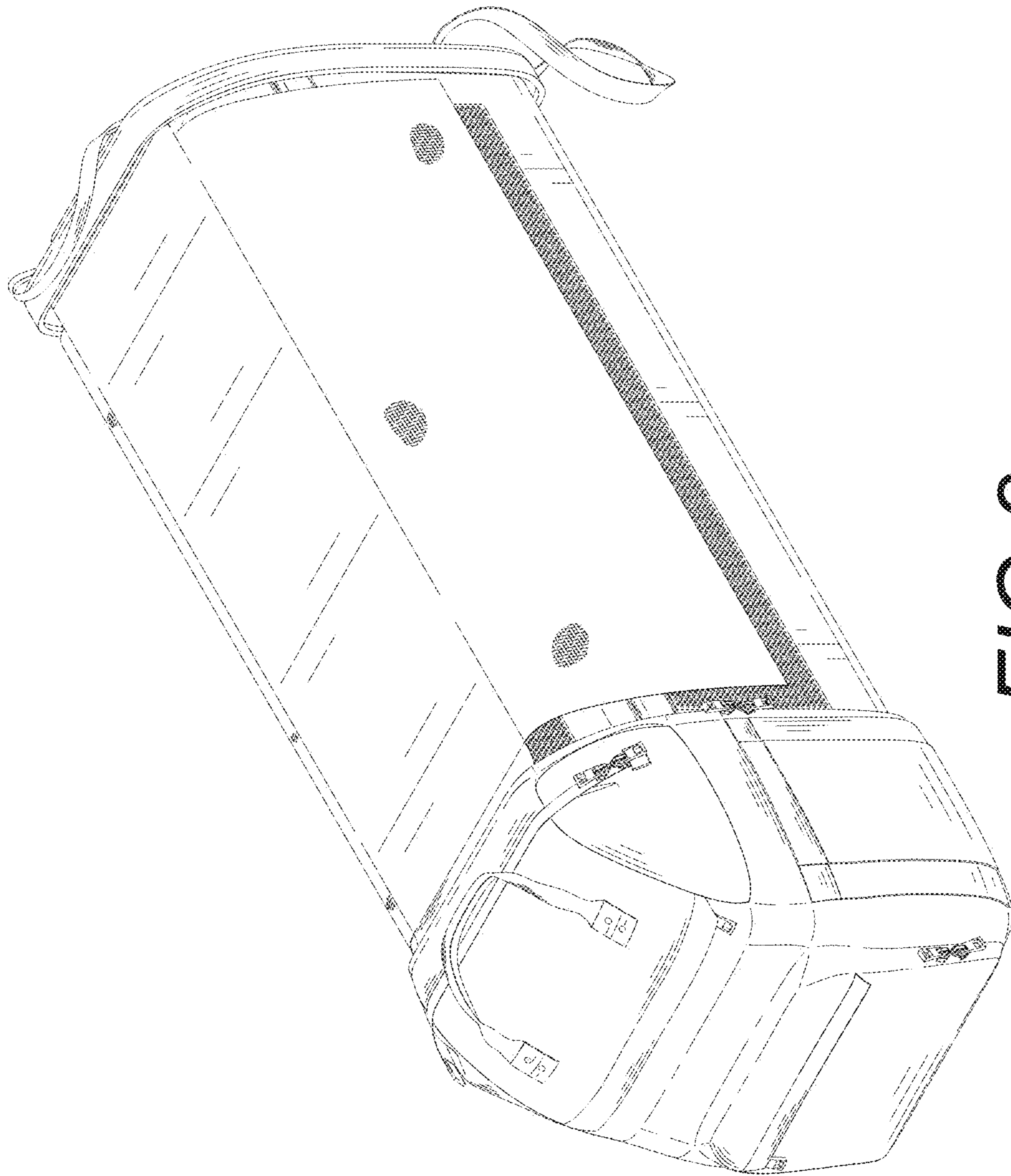


FIG. 8