



US00D971590S

(12) **United States Design Patent**
Zhang

(10) **Patent No.:** **US D971,590 S**

(45) **Date of Patent:** **** Dec. 6, 2022**

(54) **FOLDABLE PET CARRYING BAG**

(71) Applicant: **Chengguo Zhang**, Shanghai (CN)

(72) Inventor: **Chengguo Zhang**, Shanghai (CN)

(73) Assignee: **Shanghai Senful Co., Ltd.**, Shanghai (CN)

(**) Term: **15 Years**

(21) Appl. No.: **29/634,487**

(22) Filed: **Jan. 22, 2018**

(51) **LOC (13) Cl.** **03-01**

(52) **U.S. Cl.**

USPC **D3/217; D30/109**

(58) **Field of Classification Search**

USPC D3/215-217, 273, 289, 290, 318, 321,
D3/322, 323, 243, 244, 246, 232, 211,
D3/223, 234, 238, 248, 270, 271.2, 325;
383/72; D30/108, 109, 118

CPC A45F 4/02; A45F 4/08; A45F 2200/05;
A45F 2200/0525; A45F 3/04; A45F
3/042; A45F 3/047; A45F 3/08; A45F
3/10; A45F 3/14; A45C 13/08; A45C
13/083; A45C 13/1046; A45C 2003/007;
A45C 3/10; A01K 1/0035; A01K 1/0254;
A01K 1/0272; A01K 1/029

See application file for complete search history.

(56) **References Cited**

U.S. PATENT DOCUMENTS

- 5,277,148 A * 1/1994 Rossignol A01K 1/029
119/453
- D575,461 S * 8/2008 Cannon D3/273
- D621,101 S * 8/2010 Hu D30/109
- D659,993 S * 5/2012 Lindstrom D3/216
- D734,942 S * 7/2015 Robinson D3/217
- 9,392,766 B1 * 7/2016 Elden A01K 1/0035

- D768,981 S * 10/2016 Klot D3/217
- D778,595 S * 2/2017 Zurowski D3/214
- D805,762 S * 12/2017 Lopez Avila D3/217
- D818,204 S * 5/2018 Renforth D30/109
- 2009/0255770 A1 * 10/2009 Slater A45C 7/0036
190/1
- 2010/0313824 A1 * 12/2010 Northrop A01K 1/0254
119/496
- 2019/0133073 A1 * 5/2019 Lu A45C 7/0063

OTHER PUBLICATIONS

Fashin Oxford pet backpack . . . posted at dhgate.com, no posting date, online, URL:https://www.dhgate.com/product/fashin-oxford-pet-backpack-breathable-mesh/436139545.html (Year: 2019).*

(Continued)

Primary Examiner — Mary Shannon Malley

(74) *Attorney, Agent, or Firm* — Yanling Jiang; JiangIP LLC

(57) **CLAIM**

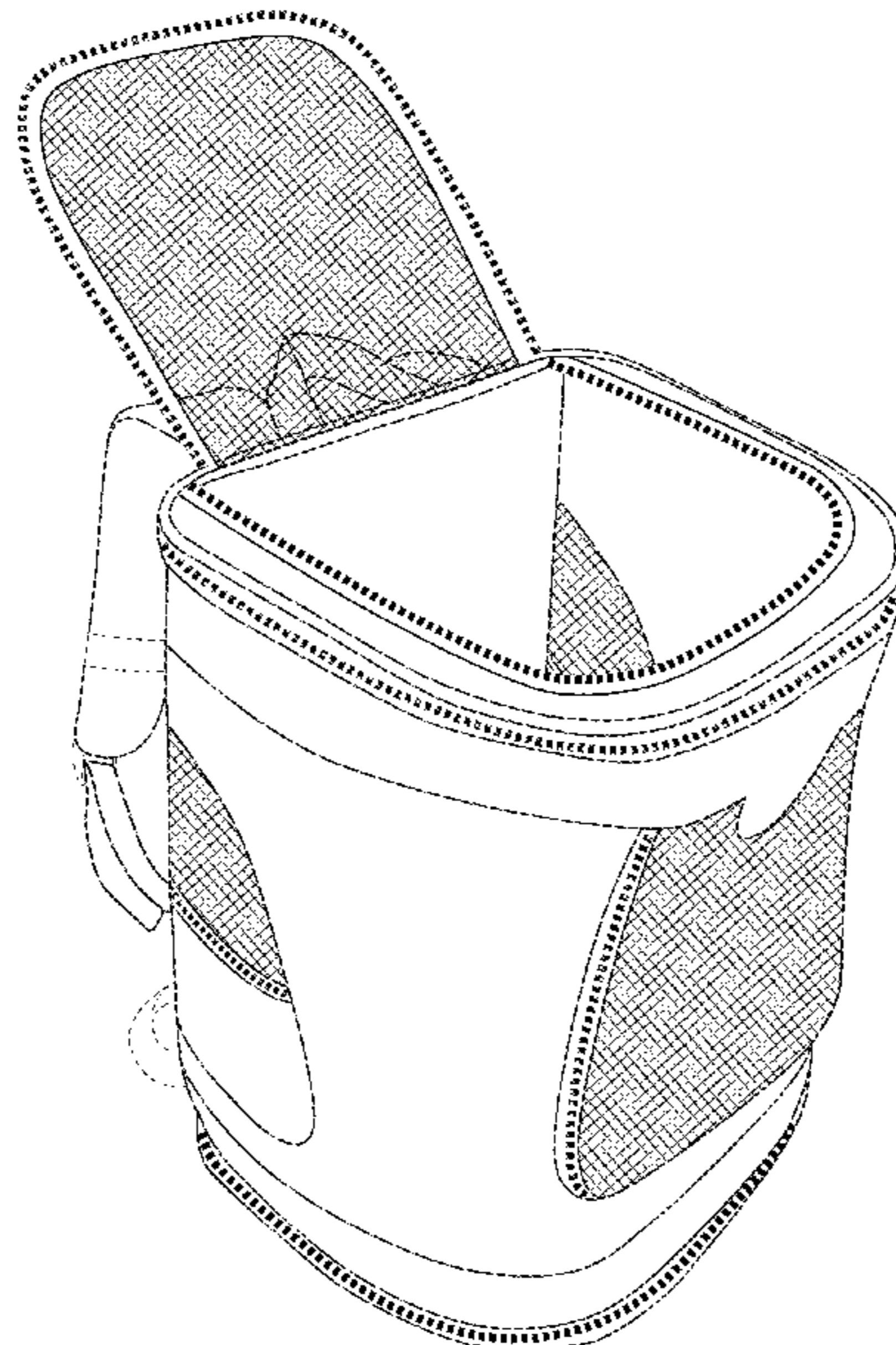
The ornamental design for a foldable pet carrying bag, as shown and described.

DESCRIPTION

FIG. 1 is a perspective view of a foldable pet carrying bag showing an open configuration;
FIG. 2 is a another perspective view thereof, with the foldable pet carrying bag shown in a closed configuration;
FIG. 3 is another perspective view thereof;
FIG. 4 if a front elevation view thereof;
FIG. 5 is a left side elevation view thereof;
FIG. 6 is a top view thereof;
FIG. 7 is a right side elevational view thereof; and,
FIG. 8 is a bottom view thereof.

The broken lines show portions of the foldable pet carrying bag that form no part of the claimed design.

1 Claim, 8 Drawing Sheets



(56)

References Cited

OTHER PUBLICATIONS

Asdfina Pet Dogs Cats Carriers . . . posted at clegg4council.com, no posting date, online, URL:https://www.clegg4council.com/index.php?main_page=product_info&products_id=14756 (Year: 2019).*

Petrip Dog Backpack Carrier . . . ,posted atamazon.com, no posting date, online, URL:https://www.amazon.com/PETRIP-Backpack-Backpacks-Approved-Knapsack/dp/B07GNCY9KV/ref=sxin_2_ac_d_pm? (Year: 2019).*

* cited by examiner

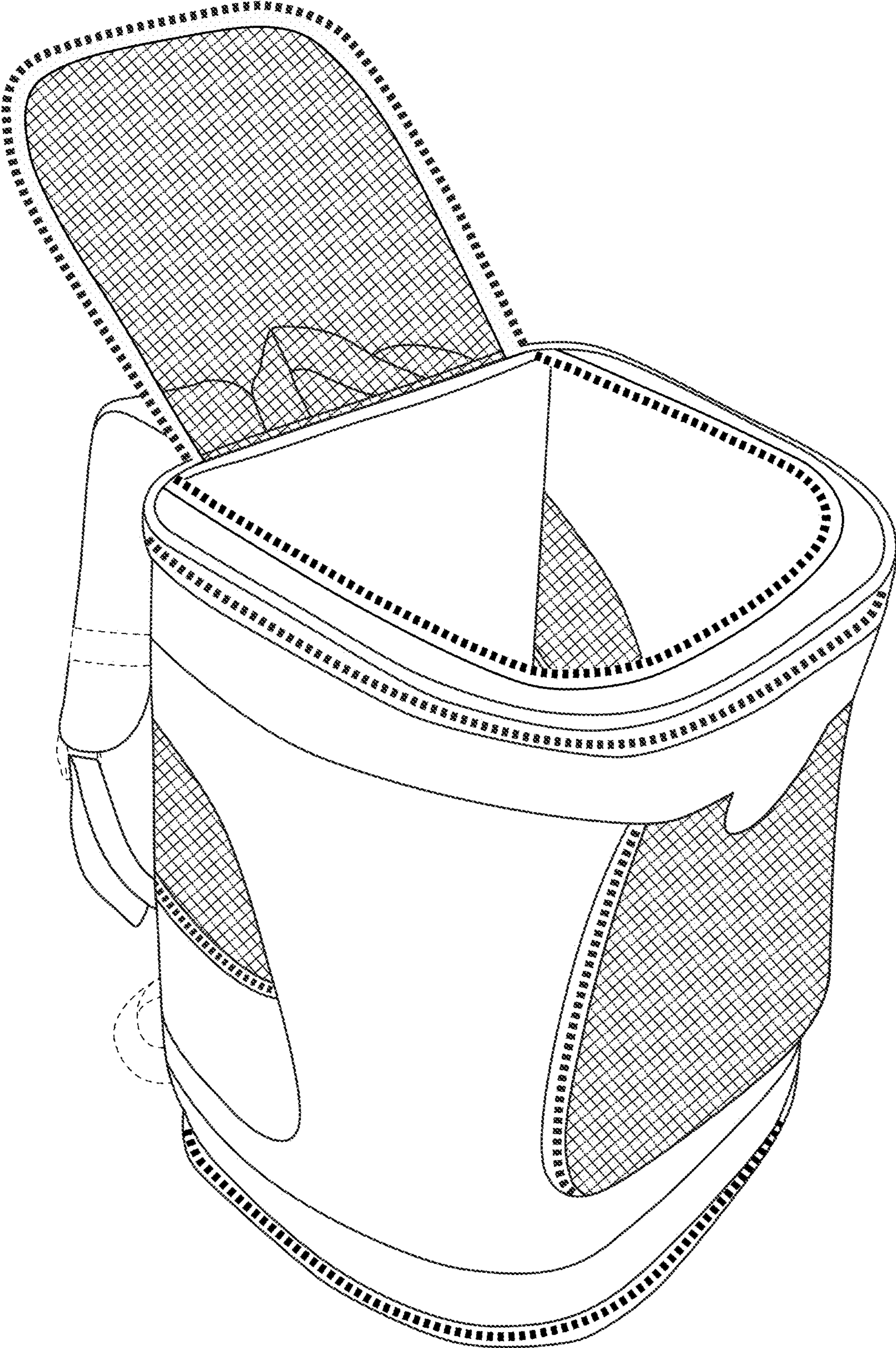


FIG. 1

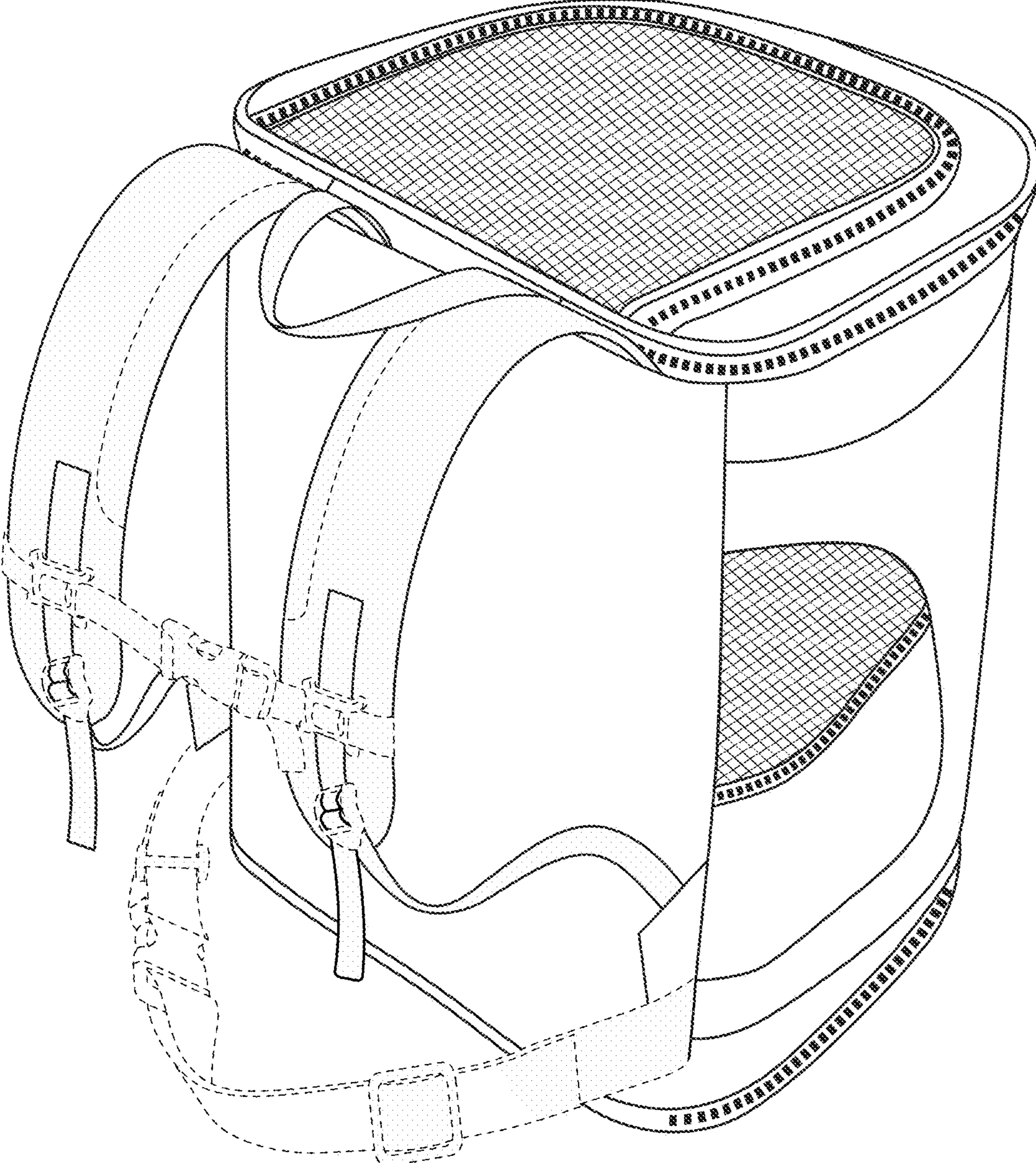


FIG. 2

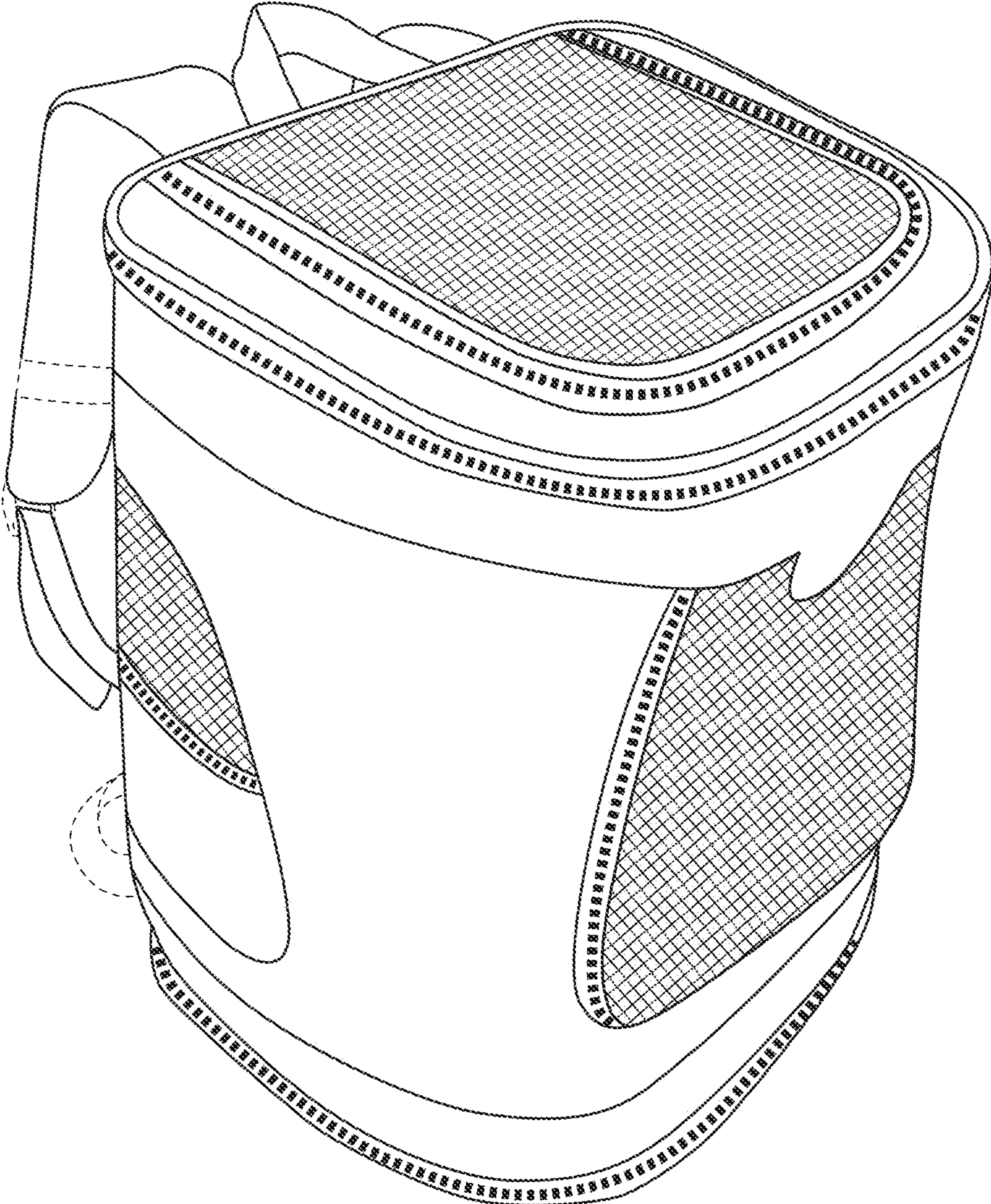


FIG. 3

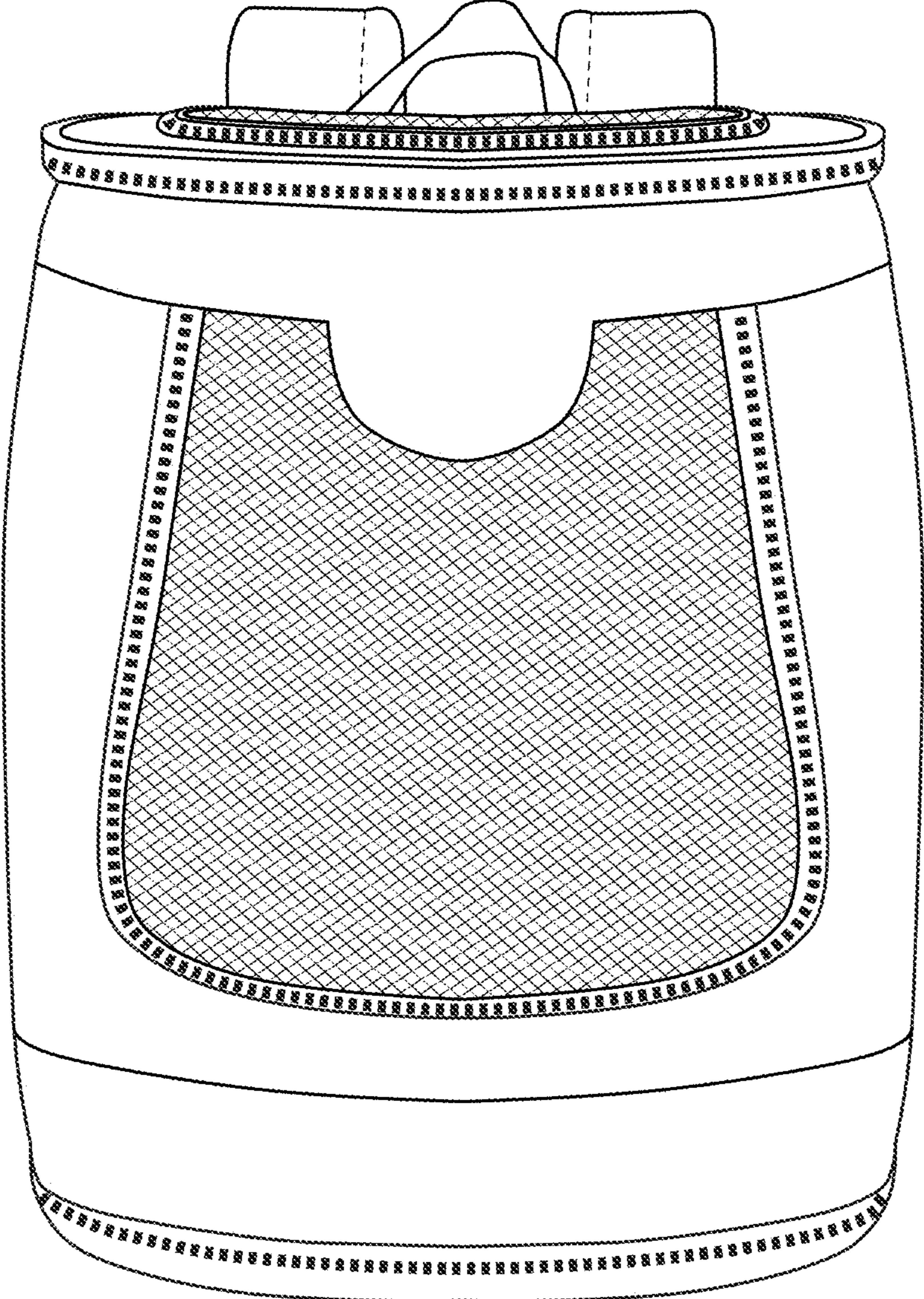


FIG. 4

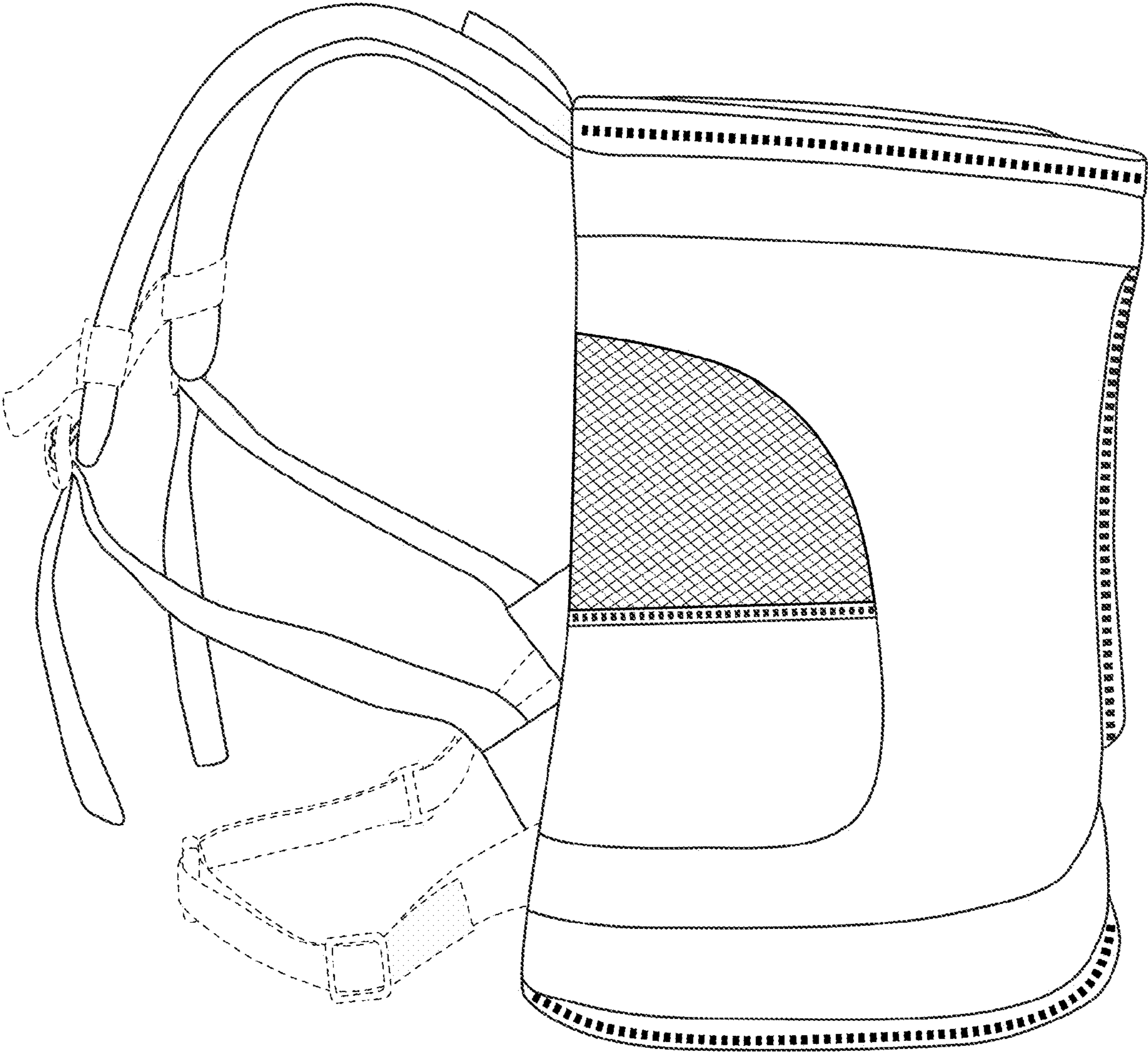


FIG. 5

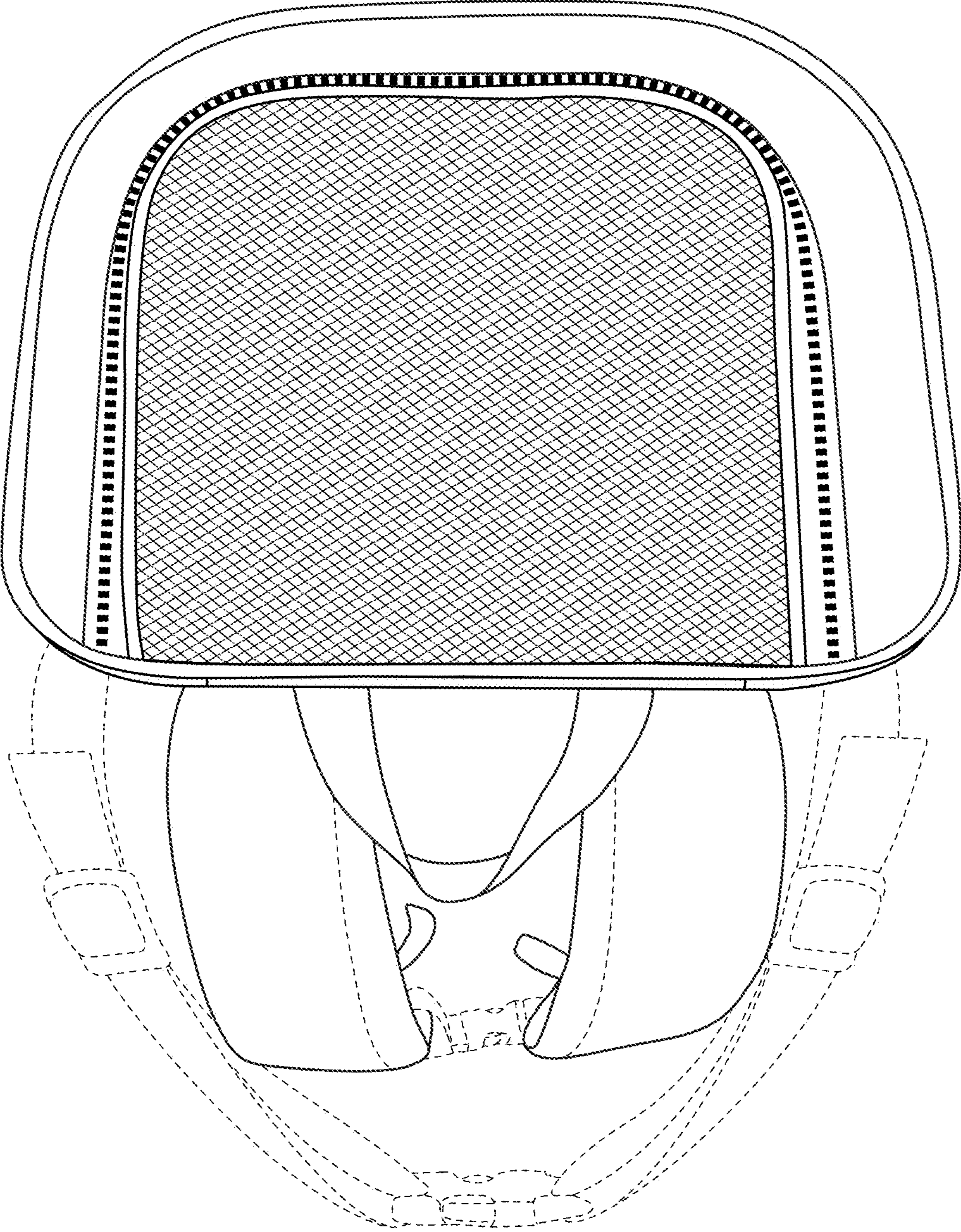


FIG. 6

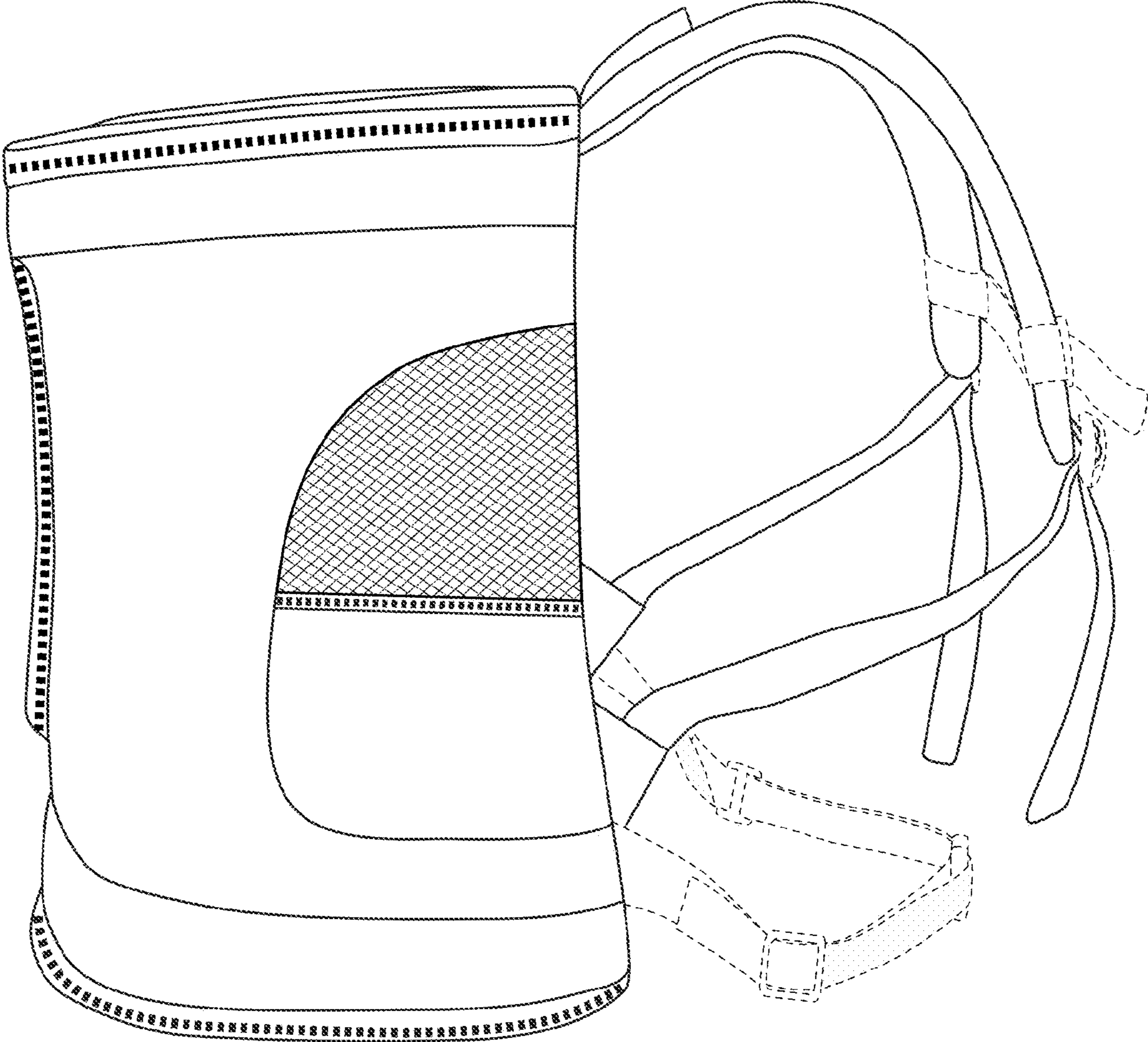


FIG. 7

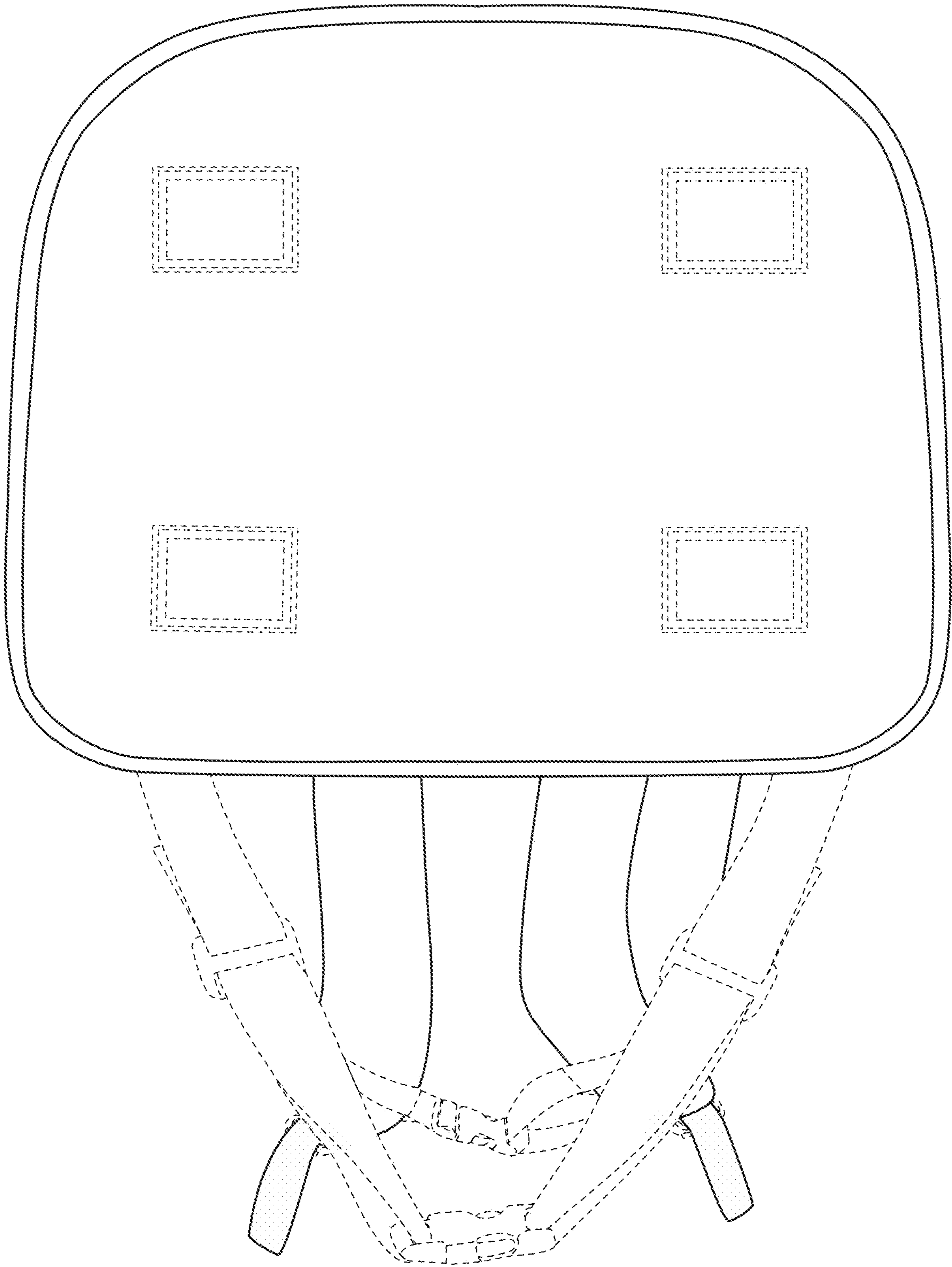


FIG. 8