



US00D971588S

(12) **United States Design Patent**  
**Zhang**

(10) **Patent No.:** **US D971,588 S**  
(45) **Date of Patent:** **\*\* Dec. 6, 2022**

(54) **PILL BOX**

FOREIGN PATENT DOCUMENTS

(71) Applicant: **Dongguan Kaiqimi Leather Co., Ltd.**,  
Guangdong (CN)

IN 307924-0001 \* 12/2019

(72) Inventor: **Songjing Zhang**, Henan (CN)

OTHER PUBLICATIONS

(73) Assignee: **Dongguan Kaiqimi Leather Co., Ltd.**,  
Guangdong (CN)

Youtube.com, site visited Aug. 4, 2022, "CES Tradeshow" published on Dec. 2, 2018 by Medipense features the RxPense Pill Dispenser, [https://www.youtube.com/watch?v=\\_895Kf\\_VKvE](https://www.youtube.com/watch?v=_895Kf_VKvE) (Year: 2018).\*

(\*\*) Term: **15 Years**

(Continued)

(21) Appl. No.: **29/807,247**

*Primary Examiner* — Brett Miller

(22) Filed: **Sep. 9, 2021**

*Assistant Examiner* — Jessica M Gebhart

(51) **LOC (13) Cl.** ..... **03-01**

(74) *Attorney, Agent, or Firm* — True Shepherd, LLC;  
Andrew Cheng

(52) **U.S. Cl.**

(57) **CLAIM**

USPC ..... **D3/203.2**; D3/203.3

The ornamental design for a pill box, as shown and described.

(58) **Field of Classification Search**

**DESCRIPTION**

USPC ..... D3/203.1, 203.2, 203.3, 201, 203.4,  
D3/203.5, 203.6, 203.7, 203.8, 272, 273,  
D3/901–905, 302; D24/224; D6/515;  
D9/420–424; D99/28; D14/214; D7/615  
CPC .... A61J 1/00; A61J 7/04; B65D 43/20; A47F  
3/0404

See application file for complete search history.

FIG. 1 is a front, right, and top perspective view of a pill box, showing my design.  
FIG. 2 is a rear, left, and bottom perspective view thereof.  
FIG. 3 is a front elevation view thereof.  
FIG. 4 is a rear elevation view thereof.  
FIG. 5 is a left side elevation view thereof.  
FIG. 6 is a right side elevation view thereof.  
FIG. 7 is a top plan view thereof.  
FIG. 8 is a bottom plan view thereof.

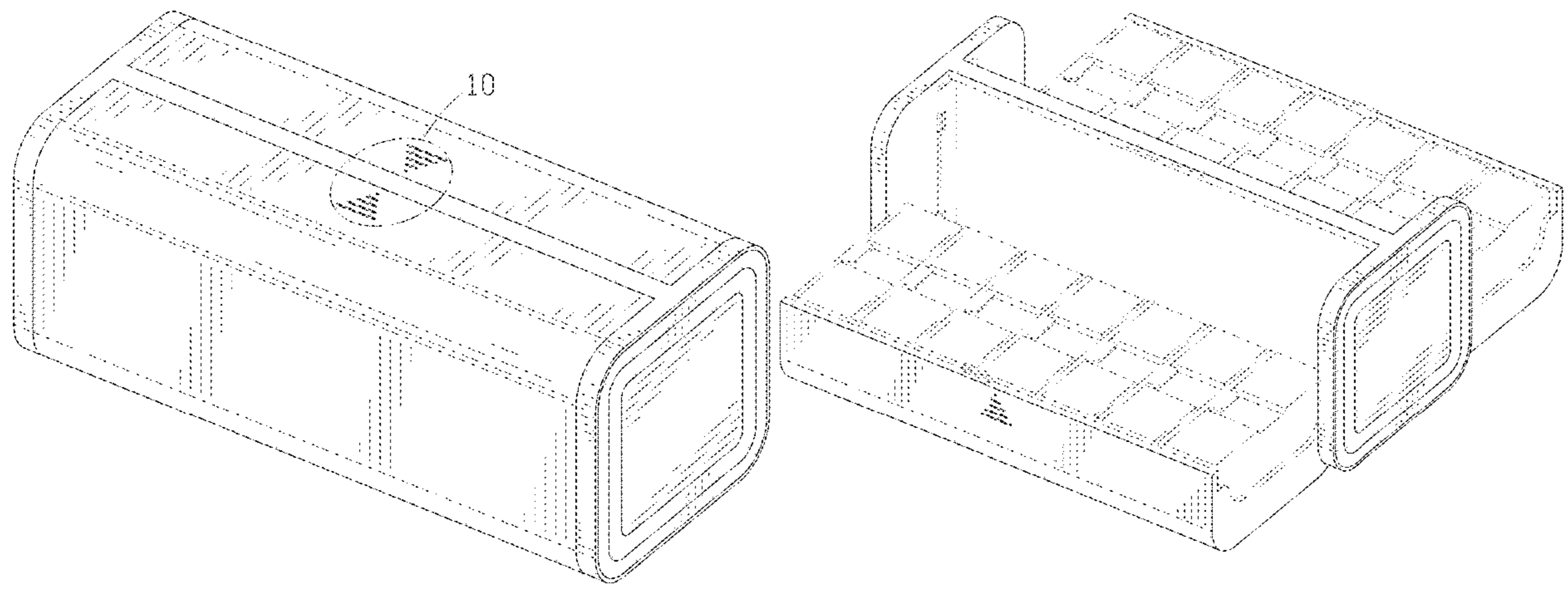
(56) **References Cited**

U.S. PATENT DOCUMENTS

D131,957 S *	4/1942	Corbett	.....	D3/902
D521,811 S *	5/2006	Yourist	.....	D7/615
D558,572 S *	1/2008	Andre	.....	D9/432
D889,117 S *	7/2020	Lee	.....	D3/203.2
D918,572 S	5/2021	Guo et al.		
D919,283 S	5/2021	Guo et al.		
D931,724 S *	9/2021	Chasseriaux	.....	D3/903
D944,082 S *	2/2022	Glassman	.....	D9/432
2009/0236954 A1 *	9/2009	Kobayashi	.....	A47F 3/0404
				312/236

FIG. 9 is a front, right, and top perspective view of a pill box in FIG. 1 comprising a lid in an opened state; and, FIG. 10 is a partial enlarged view of an area labeled 10 in FIG. 1 comprising at least one bulge of a convex groove. The broken lines shown in the drawings are included for the purpose of illustrating portions of the pill box that form no part of the claimed design.

**1 Claim, 10 Drawing Sheets**



(56)

**References Cited**

OTHER PUBLICATIONS

Amazon.com, Site visited Aug. 3, 2022, Lifeina LifeinaBox Portable Medication Fridge, First available Feb. 12, 2020, <https://www.amazon.com/LifeinaBox-Medication-mini fridge-transported-Temperature/dp/B082MNZ47K> (Year: 2020).\*

Youtube.com, site visited Aug. 4, 2022, "Xiaomi Mijia Smart Safe?! Full Walkthrough Review," published by xiaomify on Jan. 17, 2021 features the Xiaomi Mijia Smart Safe, <https://www.youtube.com/watch?v=bYKEMPsB0CM> (Year: 2021).\*

\* cited by examiner

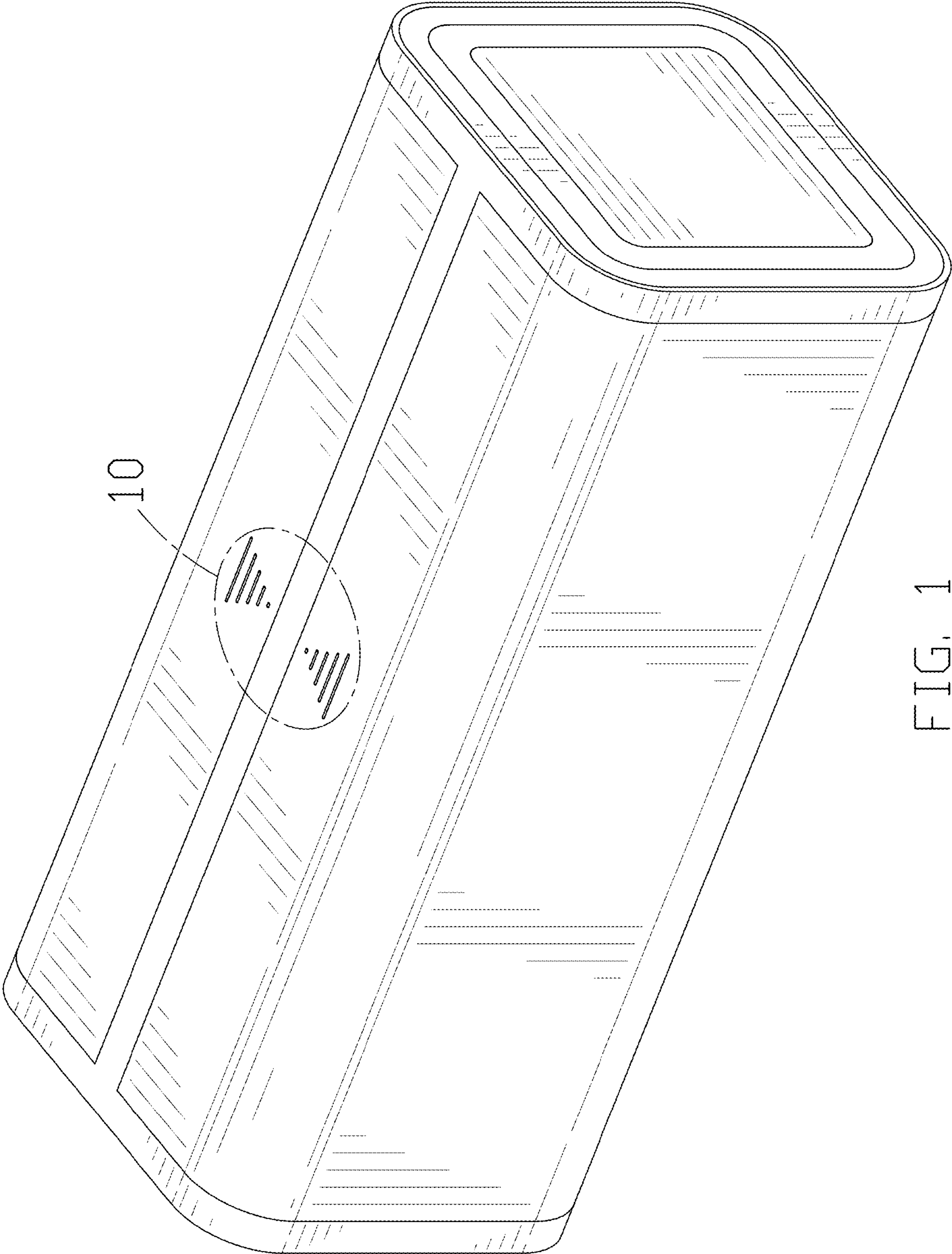


FIG. 1



FIG. 2



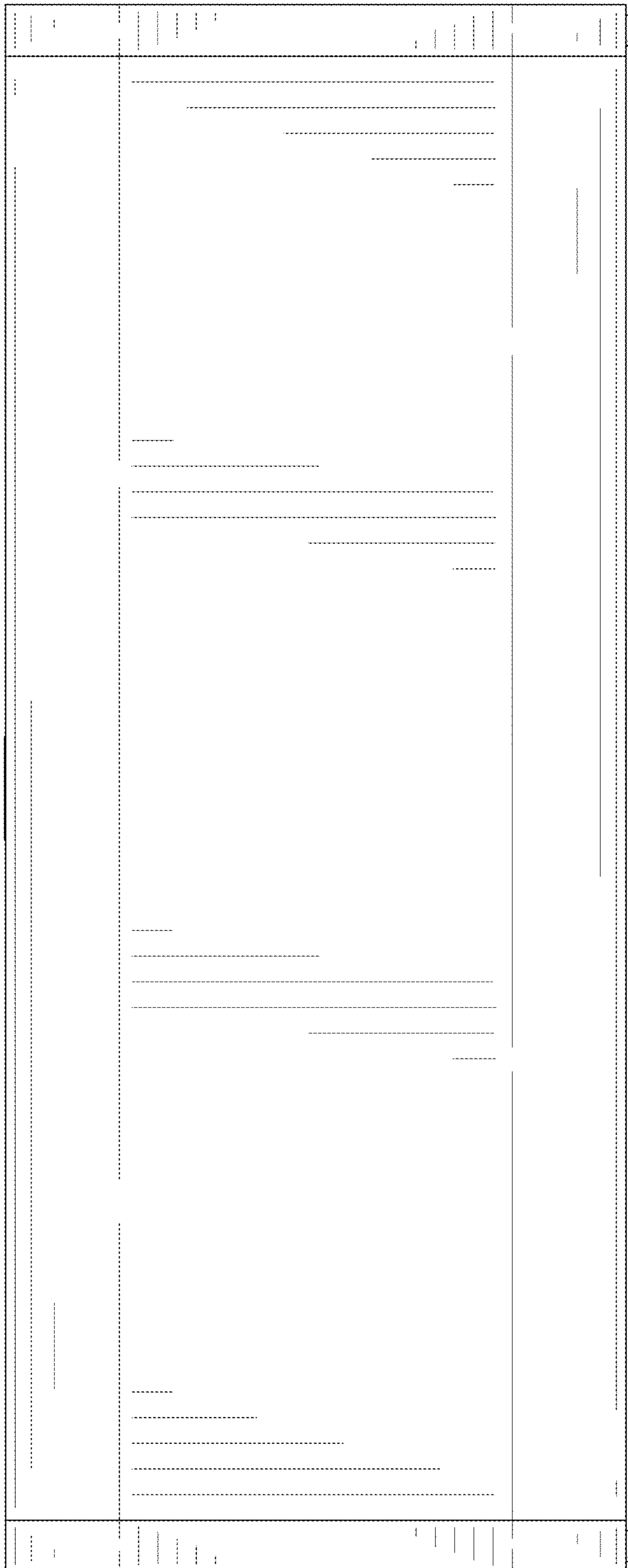


FIG. 3

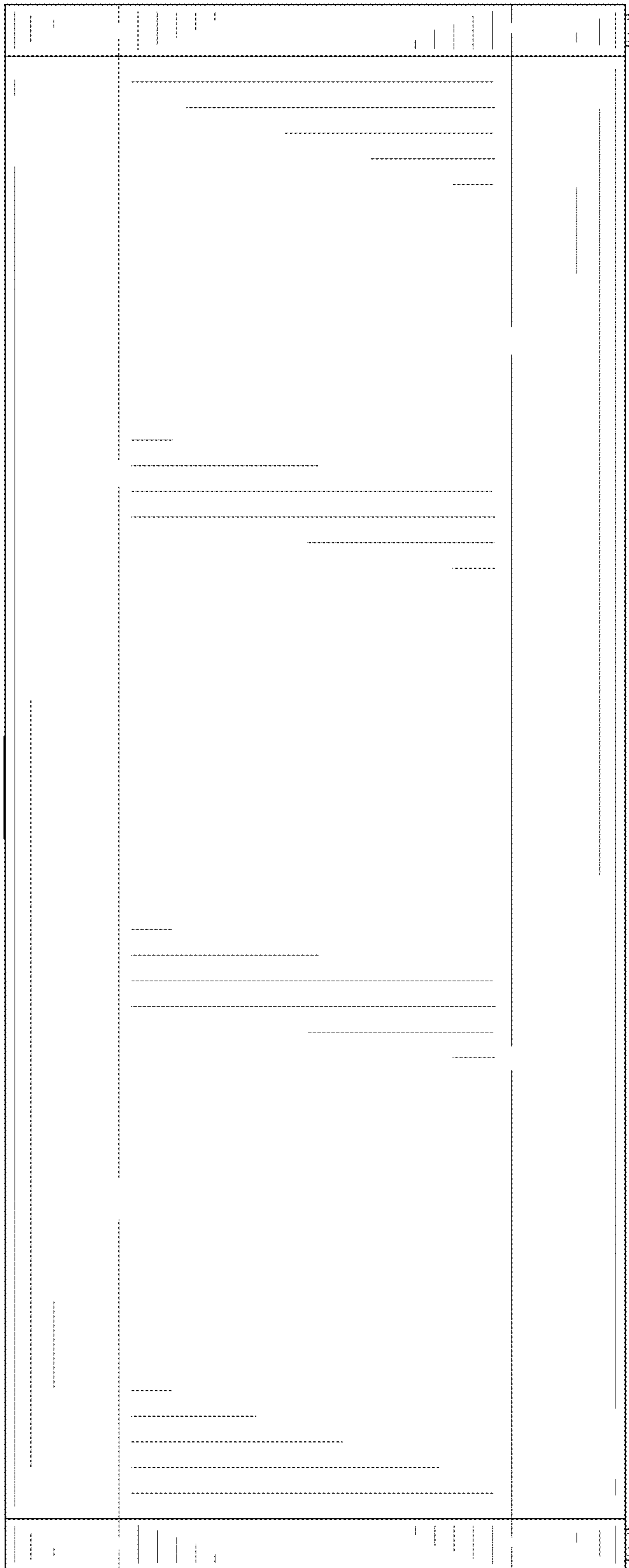


FIG. 4

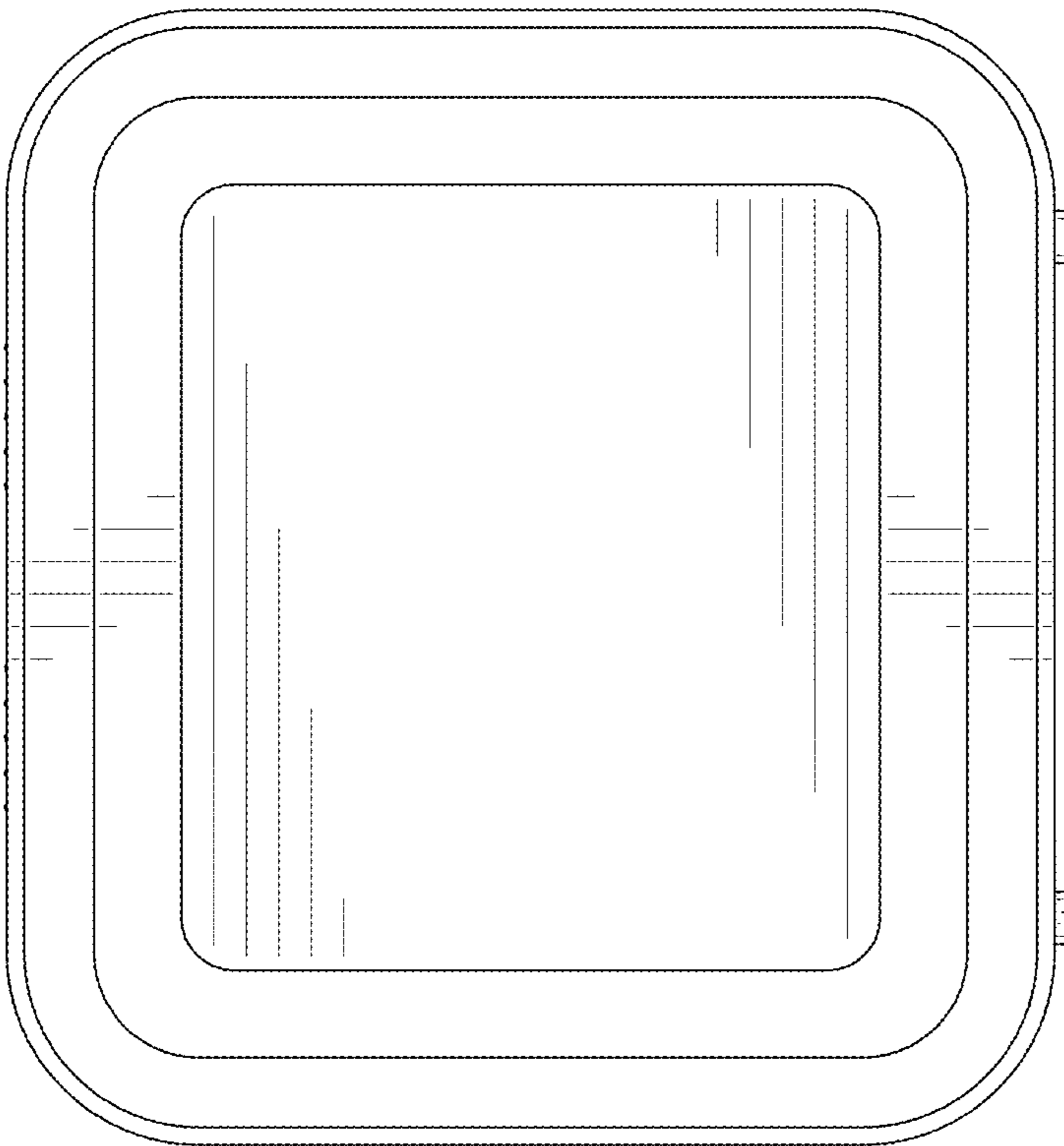


FIG. 5

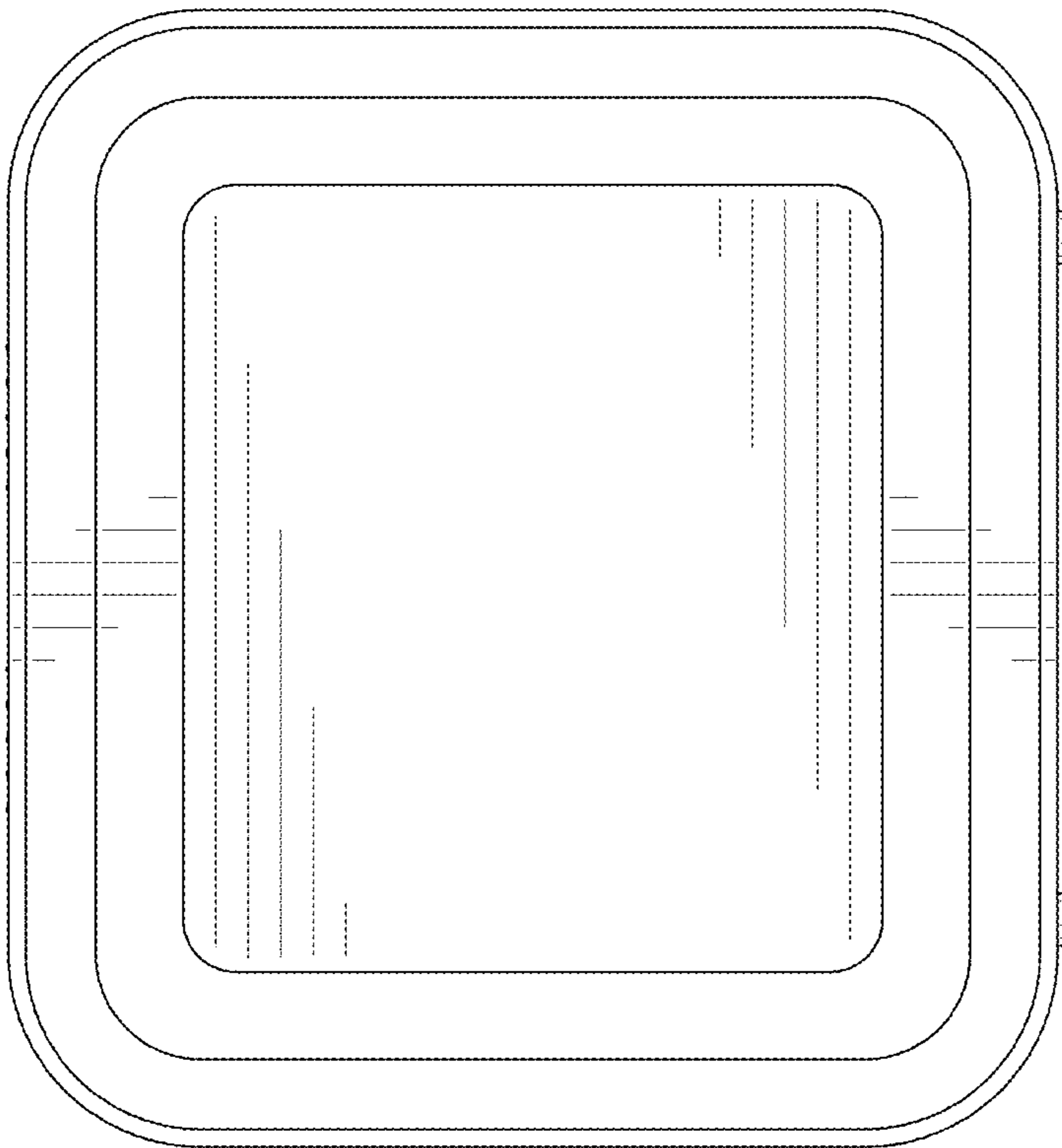


FIG. 6



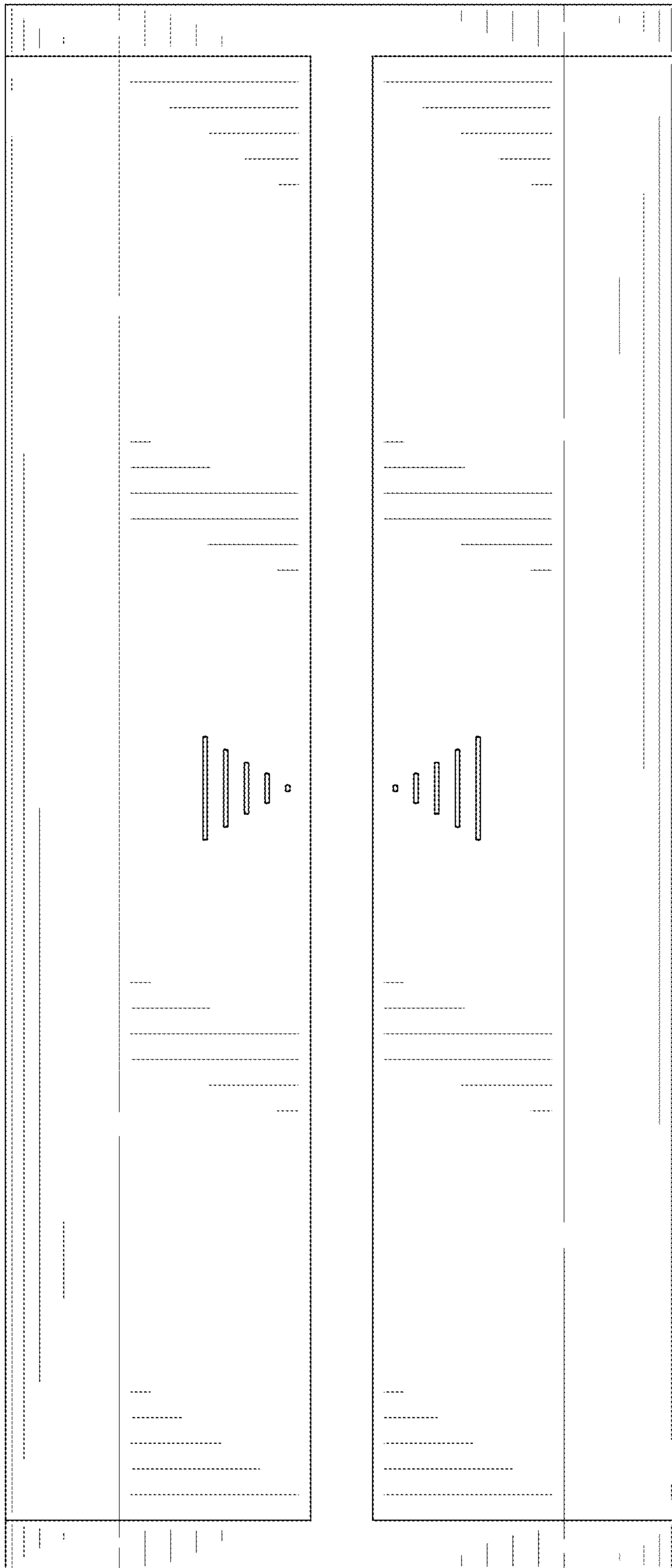


FIG. 7

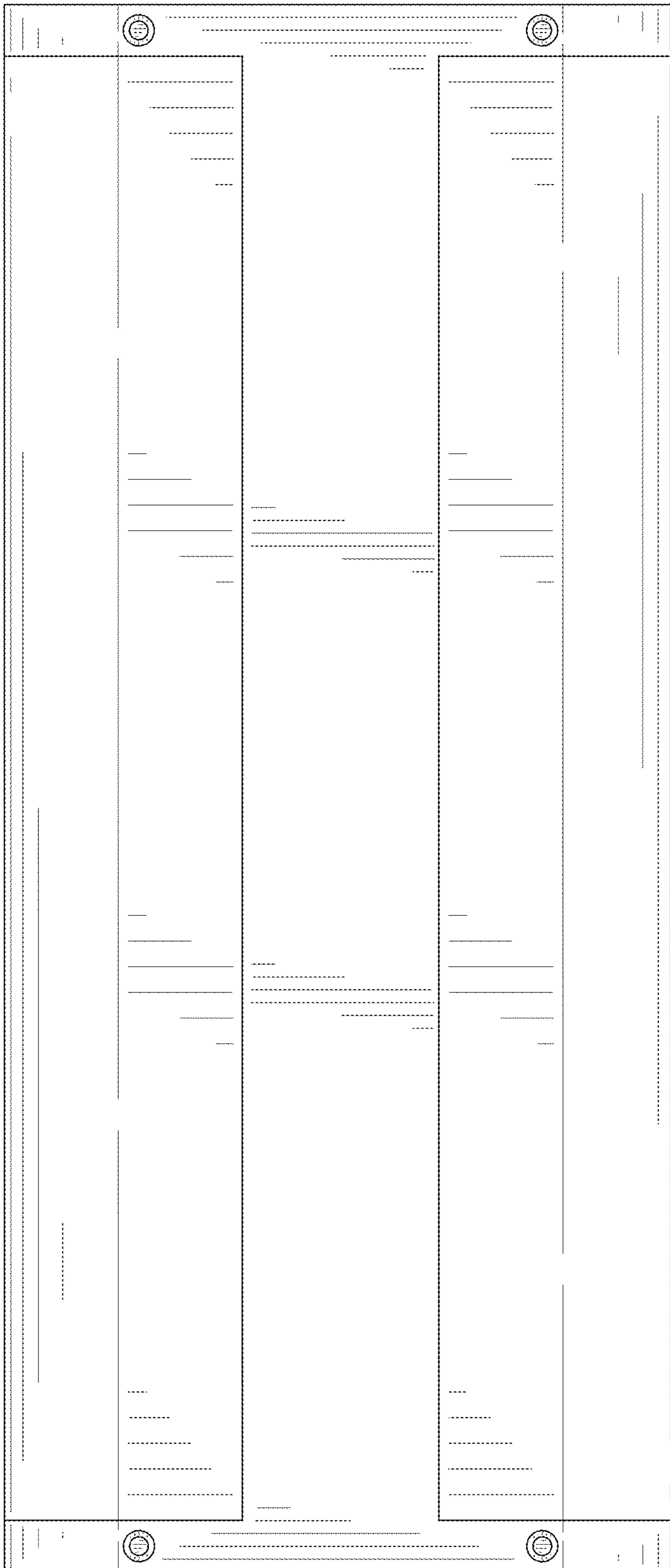


FIG. 8

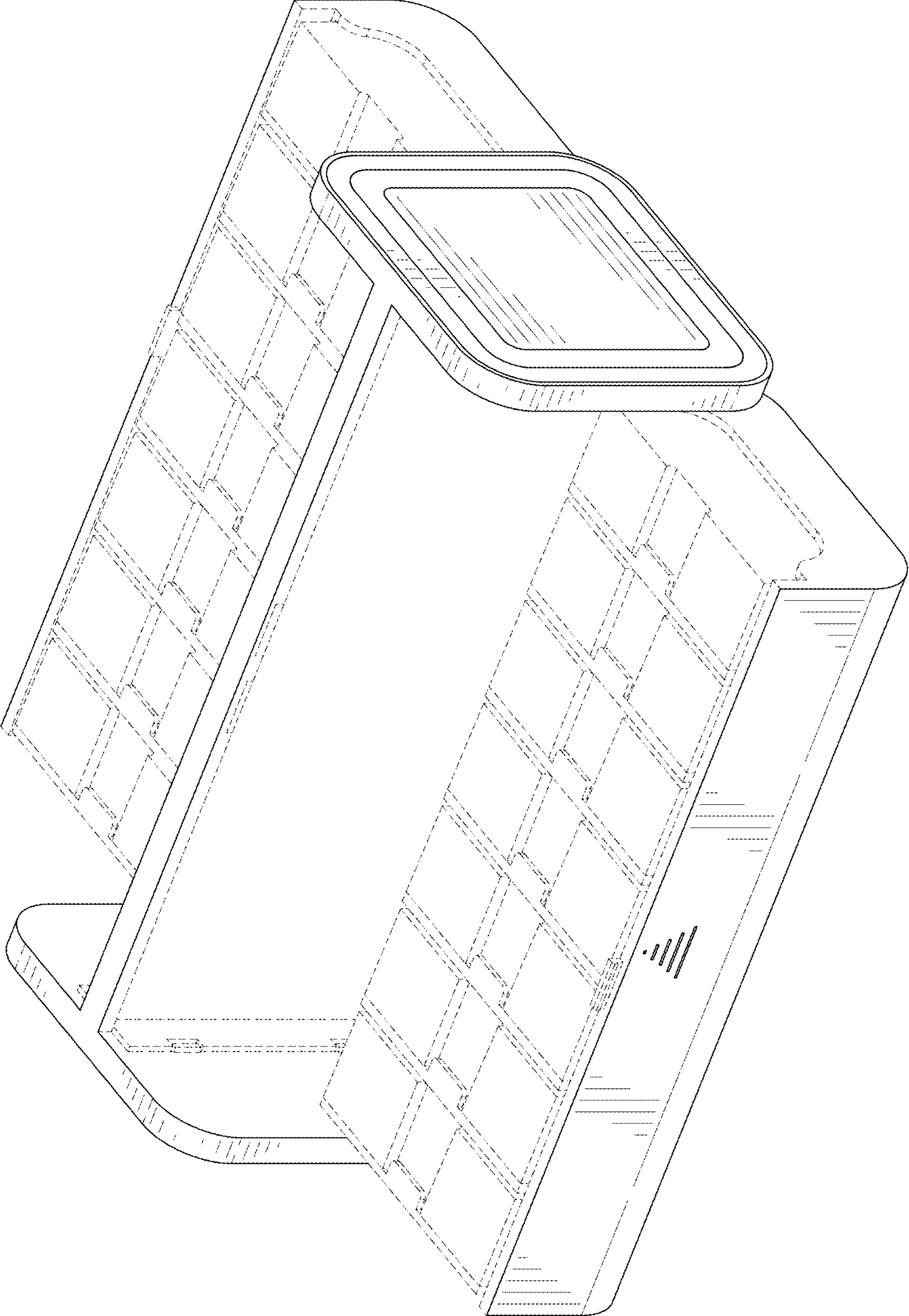


FIG. 9

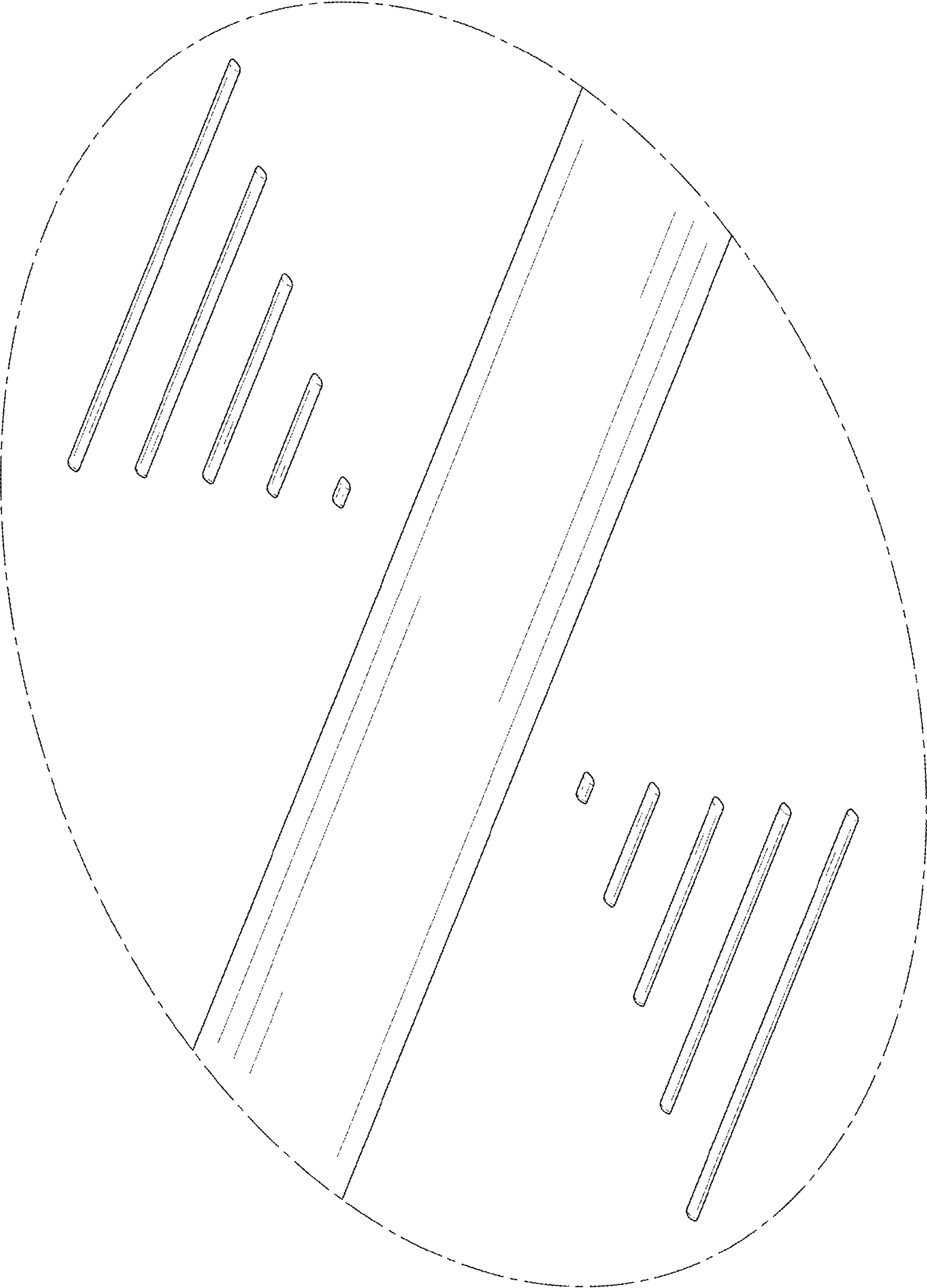


FIG. 10