



US00D971587S

(12) **United States Design Patent** (10) **Patent No.:** **US D971,587 S**
Bronkhorst (45) **Date of Patent:** **** Dec. 6, 2022**

(54) **FIRST AID KIT**

- (71) Applicant: **Sargas, LLC**, Chicago, IL (US)
- (72) Inventor: **Johannes Bronkhorst**, Woodbridge, VA (US)
- (73) Assignee: **SARGAS LLC**, Wilmington, DE (US)
- (**) Term: **15 Years**
- (21) Appl. No.: **29/652,541**
- (22) Filed: **Sep. 16, 2020**
- (51) **LOC (13) Cl.** **03-01**
- (52) **U.S. Cl.**
USPC **D3/203.1; D3/203.6**
- (58) **Field of Classification Search**
USPC D3/201, 203.1, 203.6, 203.7, 203.8, 205, D3/206, 213, 215, 276, 283, 285, 289, D3/304, 306, 319, 297, 310, 313, 314, D3/315, 232, 244, 260, 318, 902, 204, D3/216, 217; D9/425, 756, 761, 737; D27/186; D19/75, 90, 92, 100-107; D7/637, 607, 709
CPC B65D 25/06; A45C 3/06
See application file for complete search history.

(56) **References Cited**

U.S. PATENT DOCUMENTS

- 4,515,300 A * 5/1985 Cohen A45F 3/04
224/579
- 5,586,706 A * 12/1996 Ritzenhein A45F 3/00
224/587
- D495,489 S * 9/2004 Messina-Brown D3/290
- D730,648 S * 6/2015 Lentner D3/285
- D780,525 S * 3/2017 Jacobsen D7/607
- D919,962 S * 5/2021 Shi D3/217
- D926,463 S * 8/2021 Bronkhorst D3/203.1
- 2007/0175941 A1 * 8/2007 Berry A45C 13/02
224/583

FOREIGN PATENT DOCUMENTS

- CN 304434537 * 1/2018
- KR 3008458640002 * 3/2016

OTHER PUBLICATIONS

Amazon.com, Site visited Jul. 11, 2022, Gonex Molle Medical Pouch, First available Aug. 8, 2019, <https://www.amazon.com/dp/B07W5T7BTC> (Year: 2019).*

Amazon.com, Site visited Jul. 11, 2022, Livans Tactical First Aid Pouch, First available Sep. 22, 2019, <https://www.amazon.com/dp/B08R84C6WB> (Year: 2019).*

Wolfactualusa.com, site visited Jul. 11, 2022, Molle First Aid Pouch, oldest review dated Sep. 13, 2020, <https://www.wolfactualusa.com/products/wolf-tactical-medical-first-aid-molle-pouch-edc-utility-pouch-for-emts-first-responders-outdoor-sports-everyday-carry> (Year: 2020).*

* cited by examiner

Primary Examiner — Brett Miller

Assistant Examiner — Jessica M Gebhart

(74) *Attorney, Agent, or Firm* — Alston & Bird LLP

(57) **CLAIM**

The ornamental design for a first aid kit, as shown and described.

DESCRIPTION

FIG. 1 is a top front perspective view of the first aid kit showing my new design;

FIG. 2 is a bottom rear perspective view thereof;

FIG. 3 is a front elevation view thereof;

FIG. 4 is a rear elevation view thereof;

FIG. 5 is a right side elevation view thereof;

FIG. 6 is a left side elevation view thereof;

FIG. 7 is a top plan view thereof;

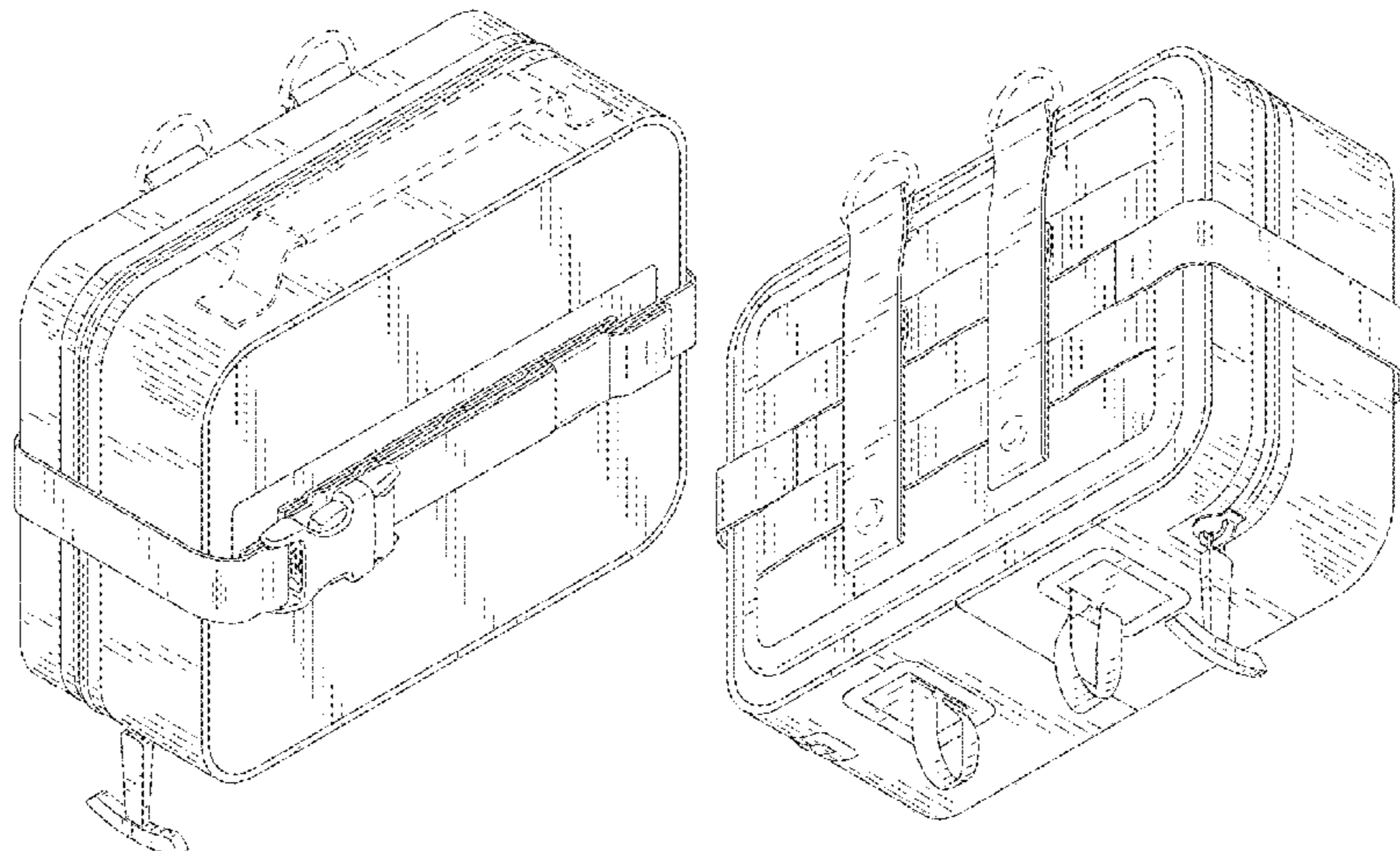
FIG. 8 is a bottom plan view thereof; and,

FIG. 9 is a top rear perspective exploded view thereof.

The broken lines shown in the drawings illustrate portions of the first aid kit that form no part of the claimed design.

The stippling in FIG. 9 illustrates the appearance of a hook and pile fastener material.

1 Claim, 4 Drawing Sheets



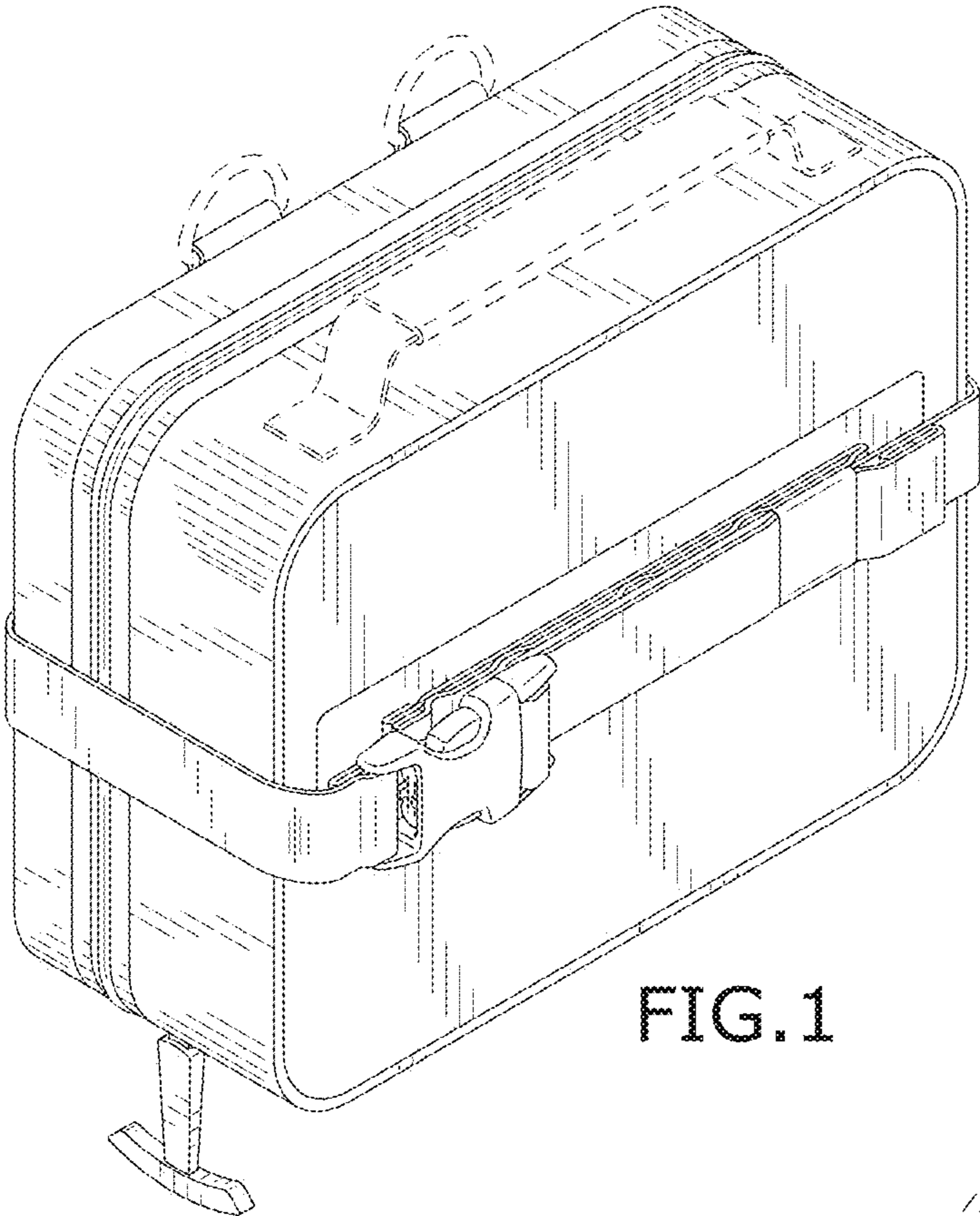


FIG. 1

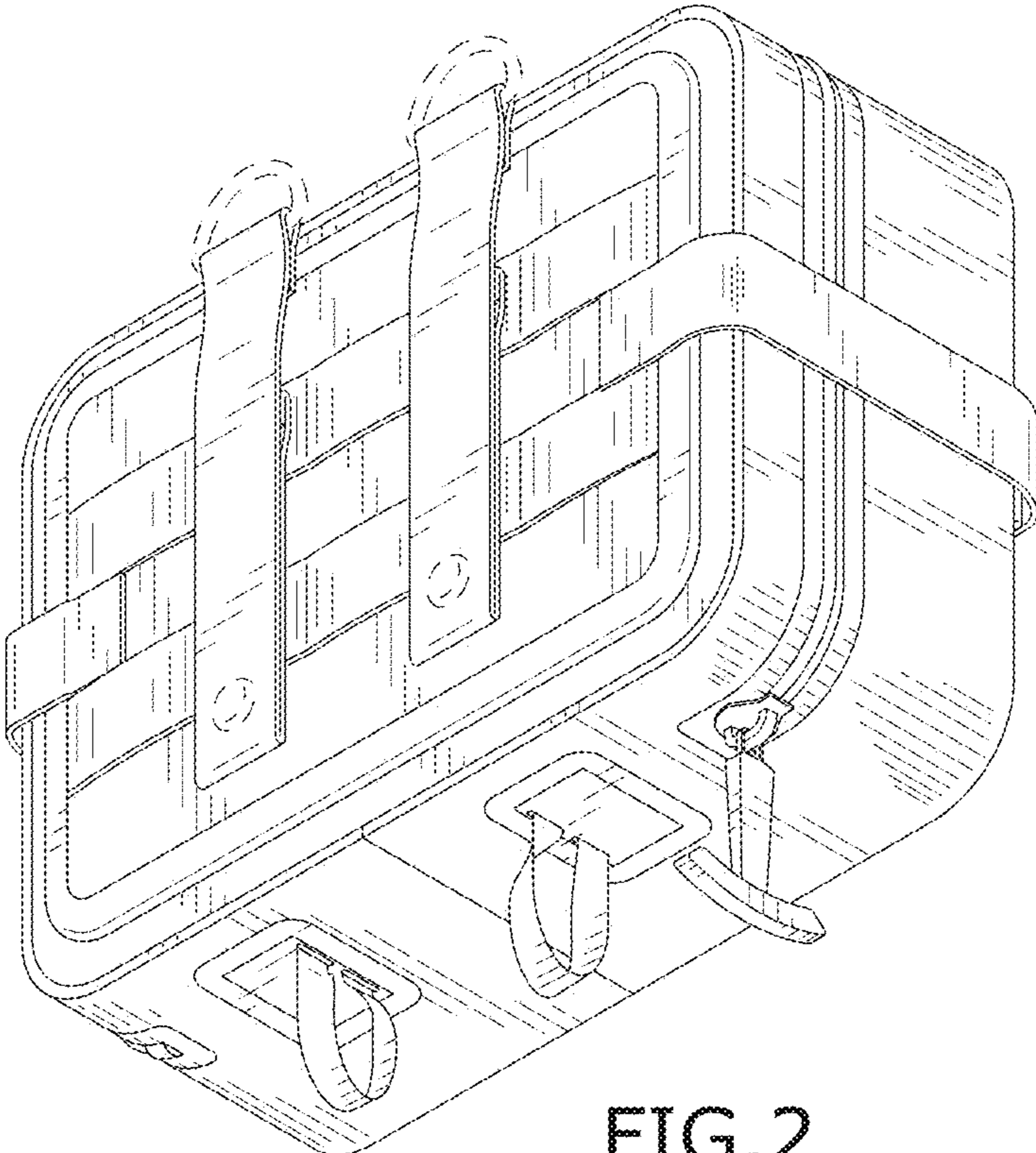


FIG. 2

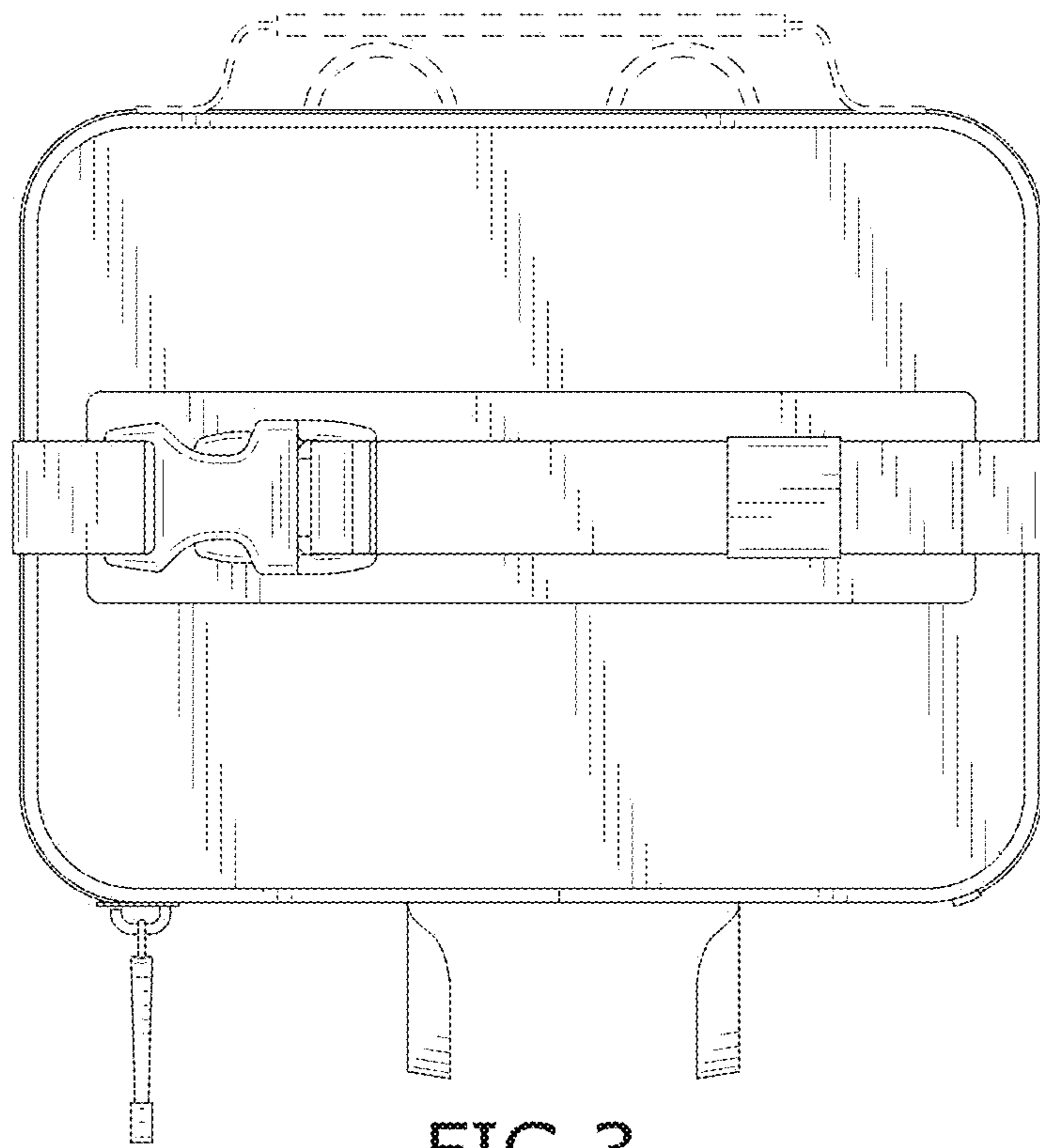


FIG. 3

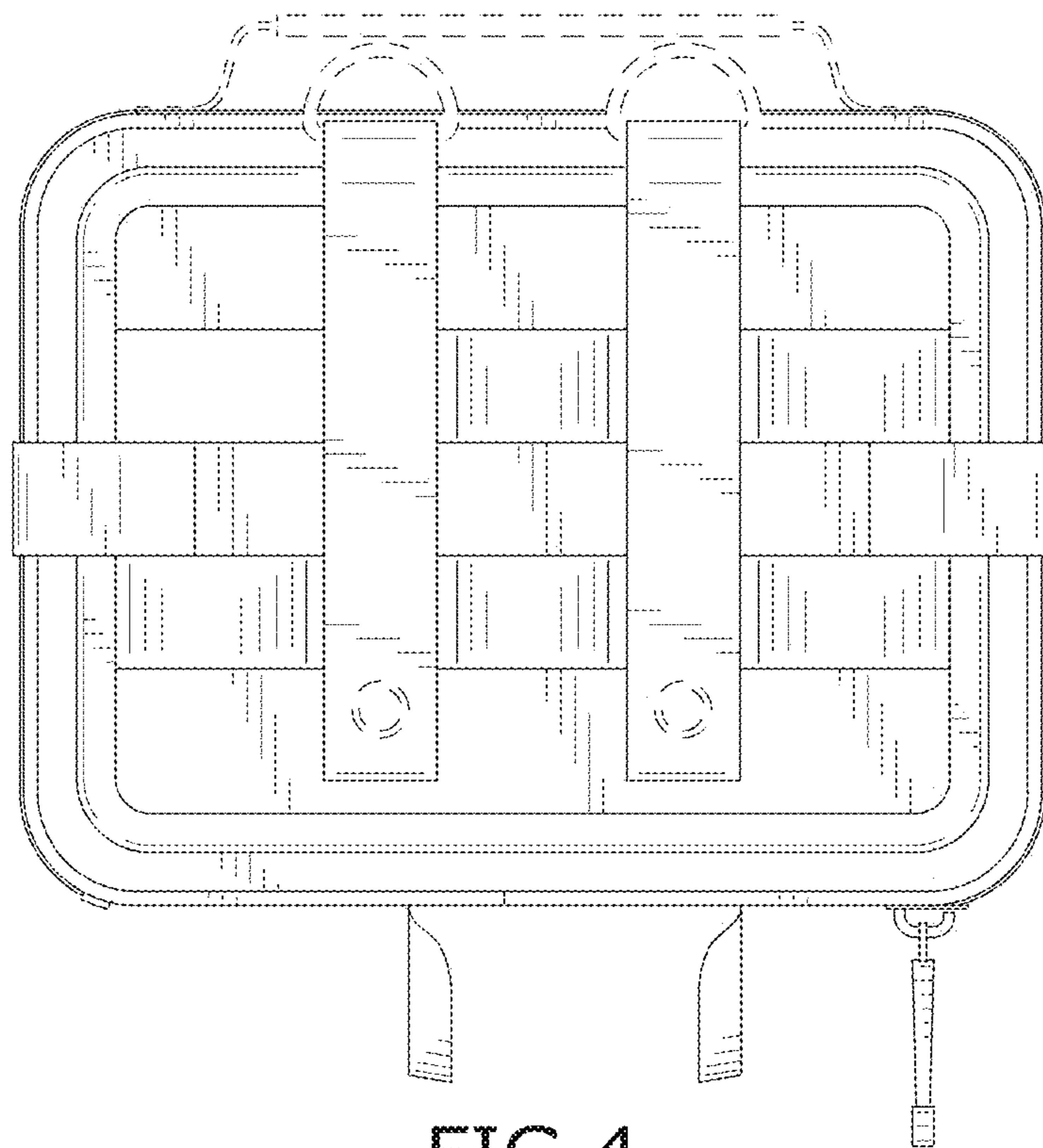


FIG. 4

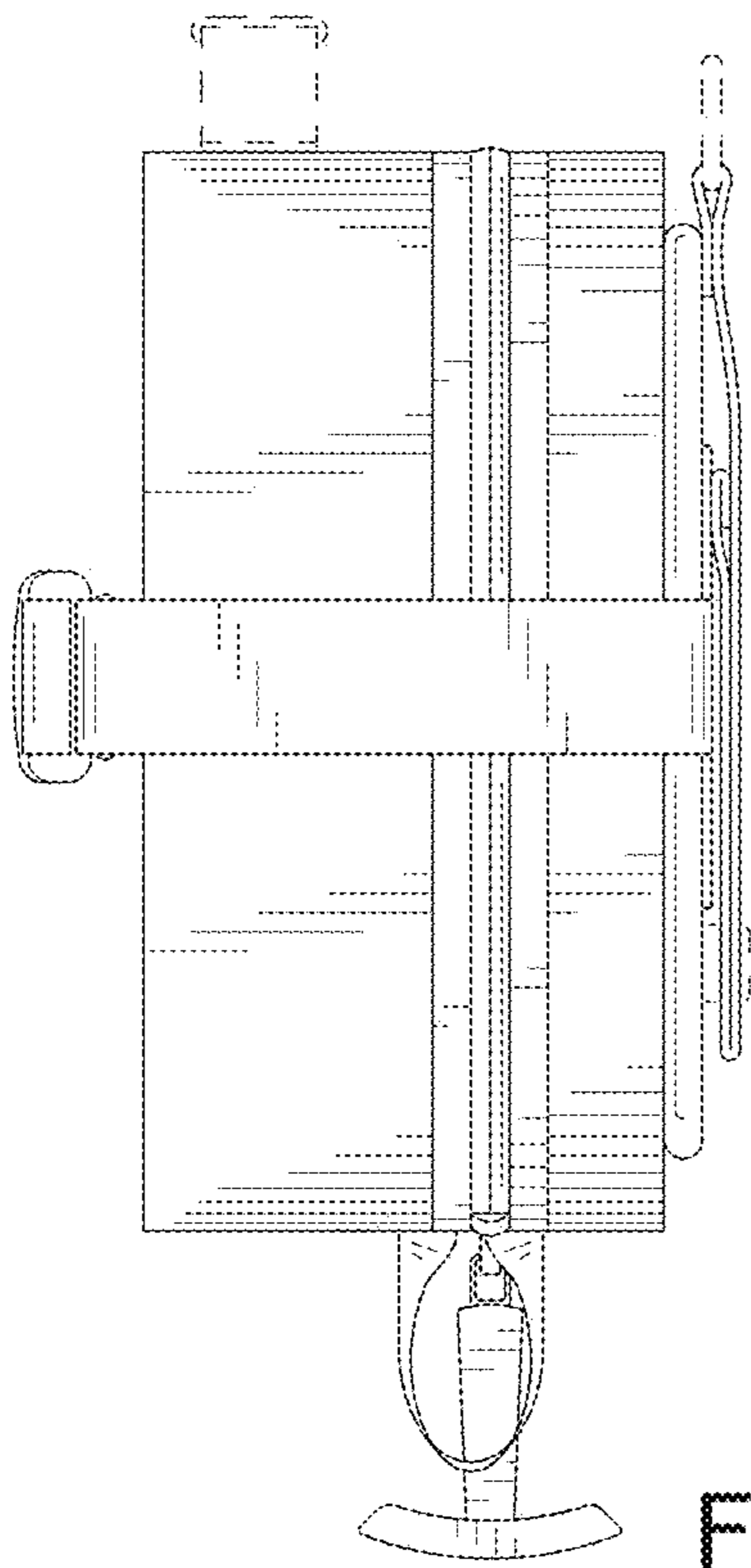


FIG. 5

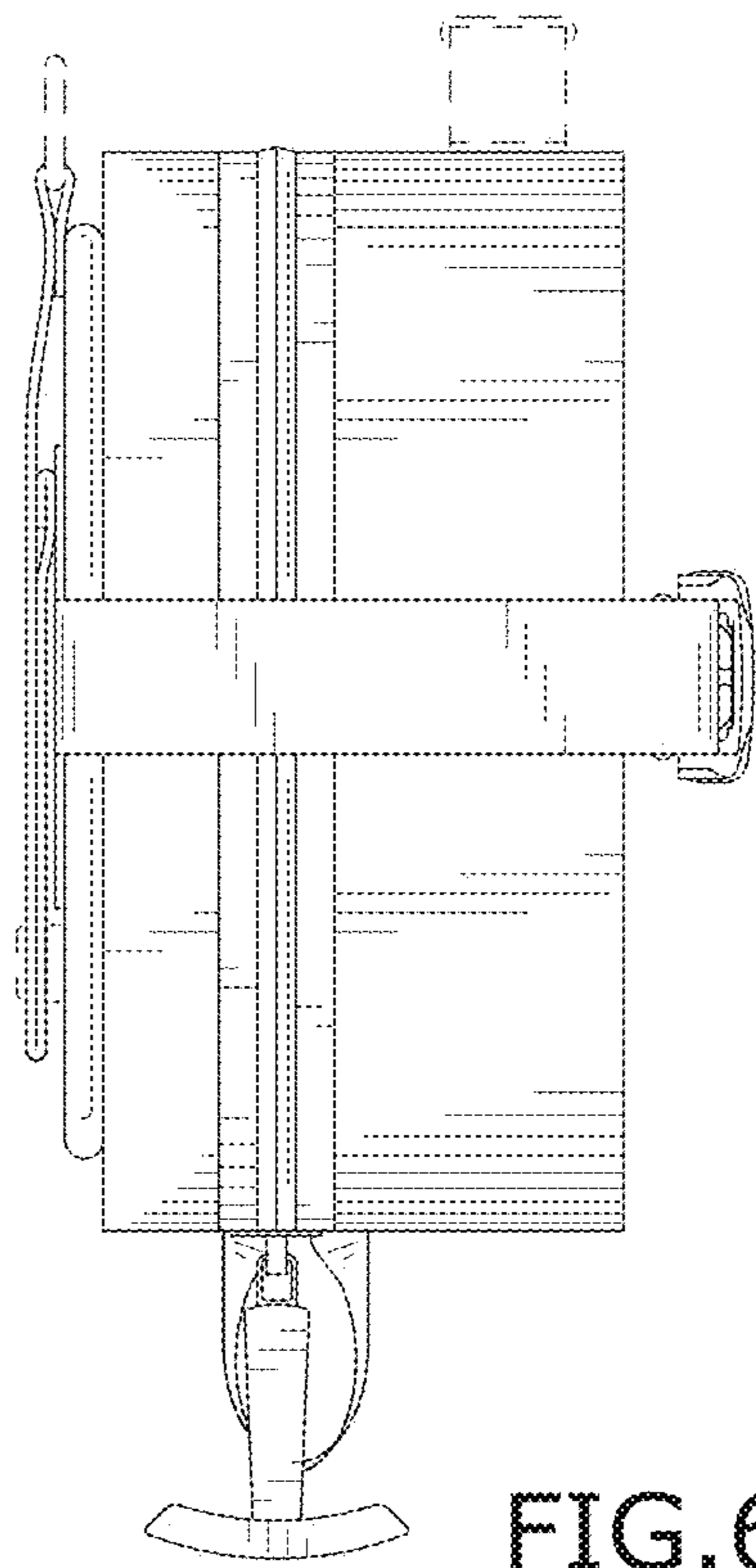


FIG. 6

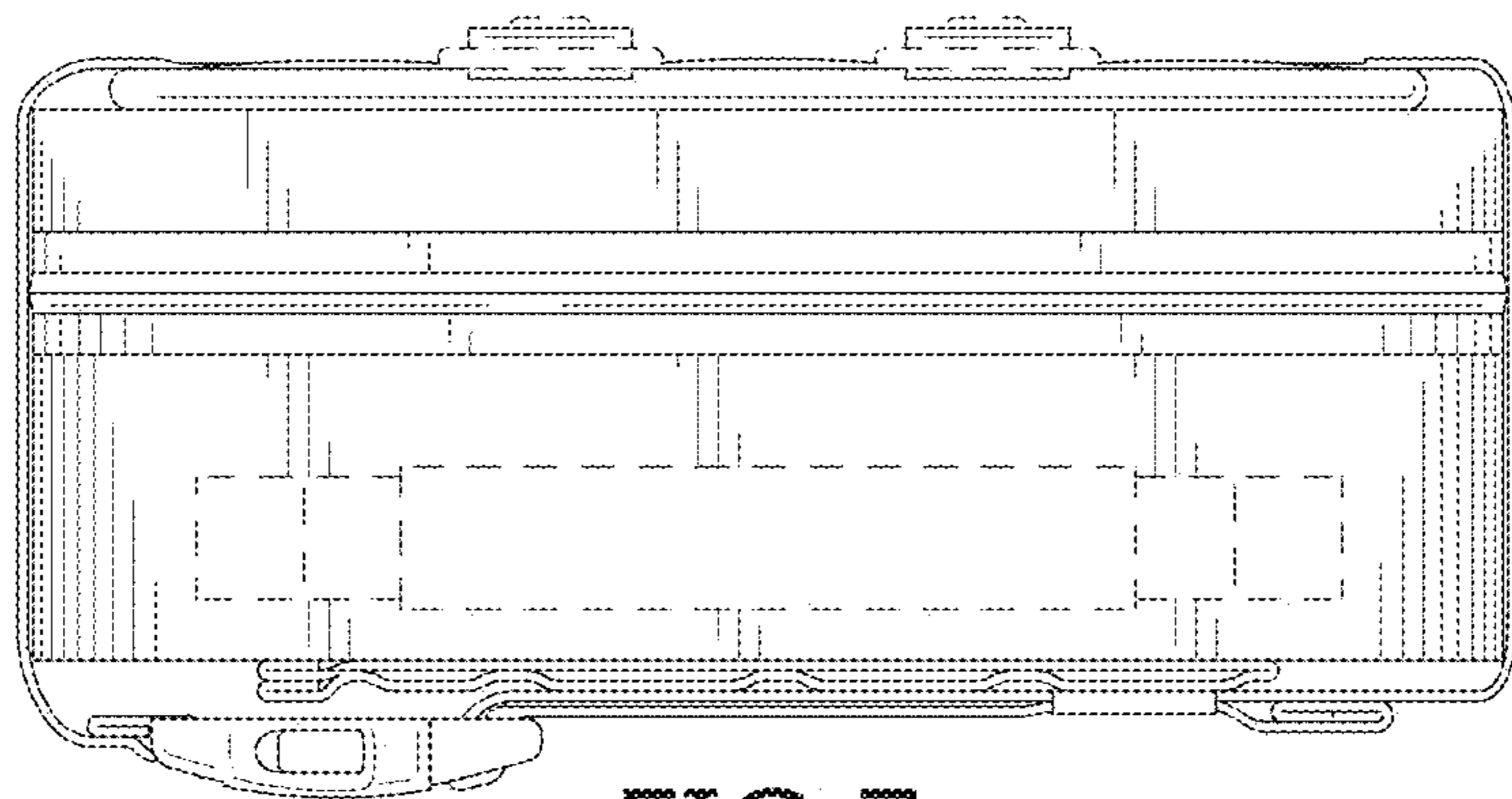


FIG. 7

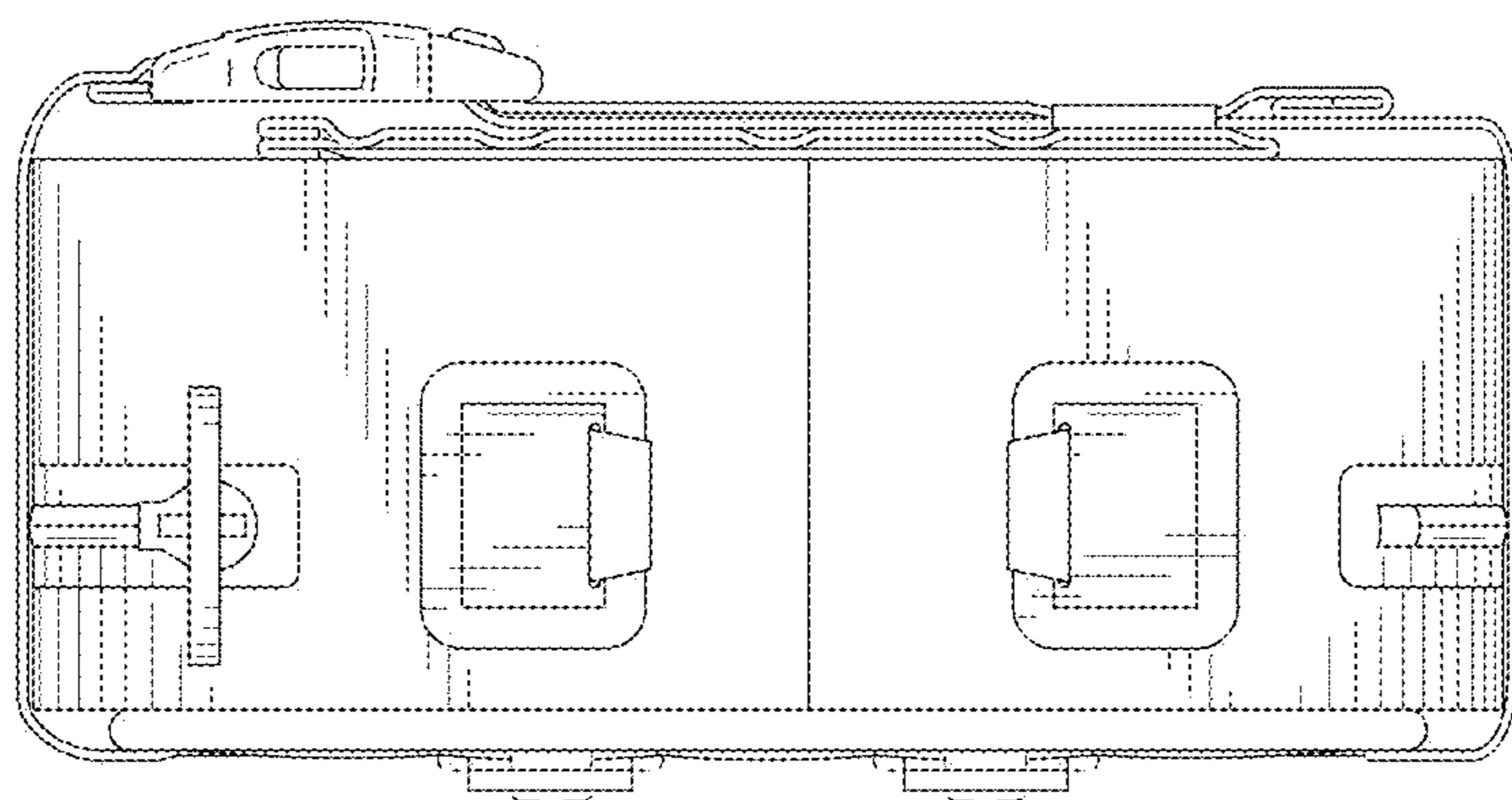


FIG. 8

