



US00D971585S

(12) **United States Design Patent**  
**Van Lierop et al.**

(10) **Patent No.:** **US D971,585 S**  
(45) **Date of Patent:** **\*\* Dec. 6, 2022**

- (54) **HAND CRANK FOR PARASOL**
- (71) Applicant: **Zhejiang Zhengte Co., Ltd.**, Zhejiang (CN)
- (72) Inventors: **Patrick Johannes Maria Van Lierop**, Leerdam (NL); **Walter Barroso Neto**, Sao Paulo (BR); **Shuhao Shan**, Jiangsu (CN)
- (73) Assignee: **Zhejiang Zhengte Co., Ltd.**, Zhejiang (CN)

8,763,620 B1 \* 7/2014 Tung ..... A45B 17/00  
135/20.1  
8,899,250 B1 \* 12/2014 Tung ..... A45B 25/14  
135/20.1  
10,064,465 B2 \* 9/2018 Pan ..... A45B 25/14  
2002/0079398 A1 \* 6/2002 Liu ..... A45B 25/14  
242/395

(Continued)

**FOREIGN PATENT DOCUMENTS**

CN 303783861 \* 8/2016  
EM 007757729-0001 \* 3/2020

- (\*\*) Term: **15 Years**
- (21) Appl. No.: **29/775,767**
- (22) Filed: **Mar. 25, 2021**

**OTHER PUBLICATIONS**

Amazon.ca, Site visited May 11, 2022, Pure Garden Half Round Umbrella, First available Jan. 2, 2017, <https://www.amazon.ca/Pure-Garden-Round-Patio-Umbrella/dp/B01MQLTH06?th=1> (Year: 2017).\*

(Continued)

(30) **Foreign Application Priority Data**

Jan. 20, 2021 (EM) ..... 008407878-0001

(51) **LOC (13) Cl.** ..... **03-03**

(52) **U.S. Cl.**  
USPC ..... **D3/10**

(58) **Field of Classification Search**  
USPC ..... D3/5-17; D8/354, 367-368, 370, 373,  
D8/358-359; D6/320-323, 553, 563-567  
CPC ..... A45B 23/00; A45B 17/00; A45B 25/14;  
A45B 25/10; A45B 19/04; A45B 19/00;  
B65H 75/34

See application file for complete search history.

*Primary Examiner* — Brett Miller

*Assistant Examiner* — Jessica M Gebhart

(74) *Attorney, Agent, or Firm* — Schroeder Law PC

(57) **CLAIM**

The ornamental design for a hand crank for parasol, as shown and described.

**DESCRIPTION**

FIG. 1 is a first perspective view of a hand crank for parasol showing our new design;  
FIG. 2 is a right elevation view thereof;  
FIG. 3 is a rear elevation view thereof;  
FIG. 4 is a left elevation view thereof;  
FIG. 5 is a front elevation view thereof;  
FIG. 6 is a bottom view thereof; and,  
FIG. 7 is a top view thereof.

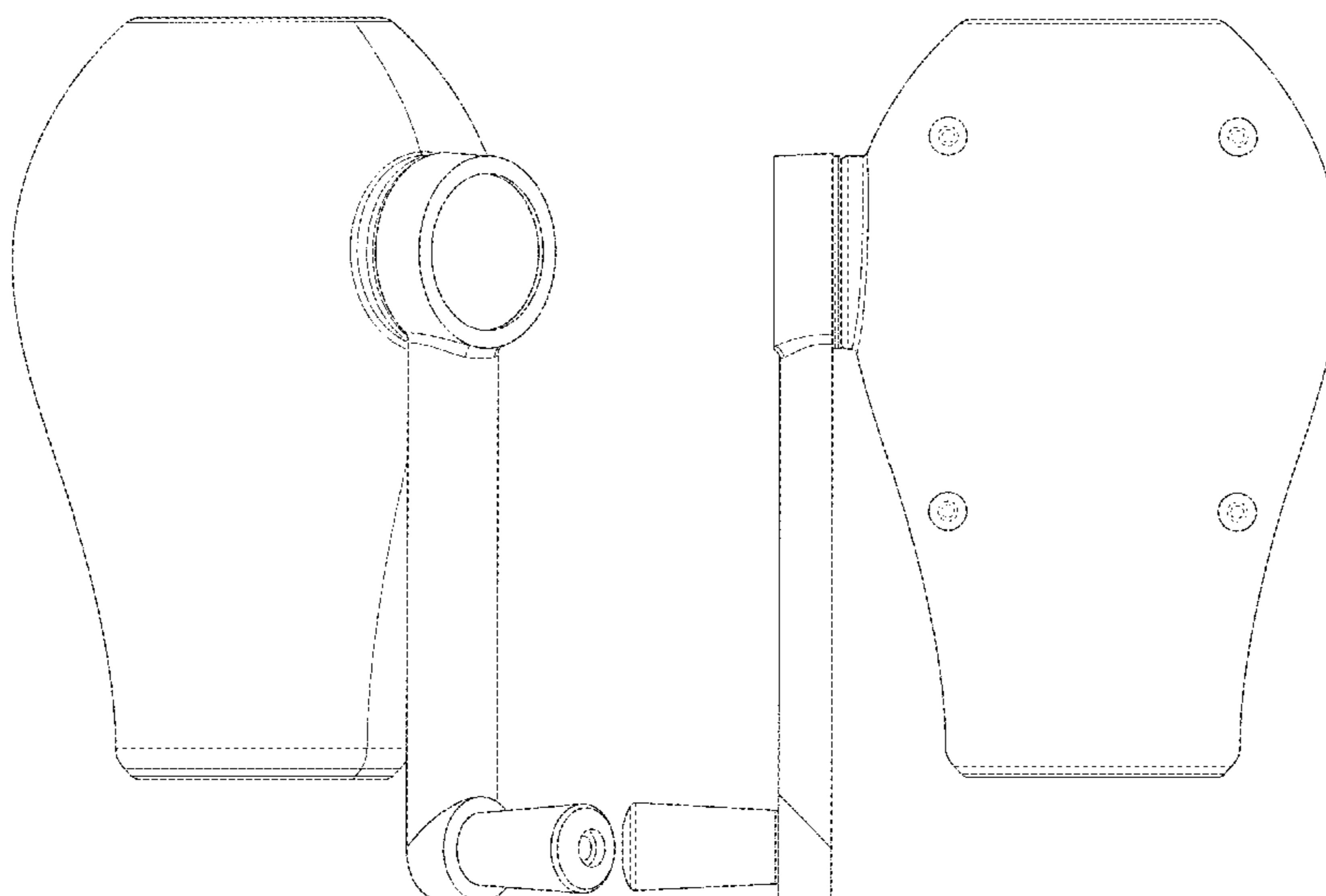
The broken lines depict portions of the hand crank for parasol that form no part of the claimed design.

**1 Claim, 7 Drawing Sheets**

(56) **References Cited**

**U.S. PATENT DOCUMENTS**

6,591,848 B2 \* 7/2003 Ma ..... A45B 25/14  
135/22  
D668,445 S \* 10/2012 Patzak ..... D3/10  
8,522,804 B1 \* 9/2013 Tung ..... A45B 25/14  
135/20.1  
8,534,304 B1 \* 9/2013 Tung ..... A45B 17/00  
135/20.1



(56)

**References Cited**

U.S. PATENT DOCUMENTS

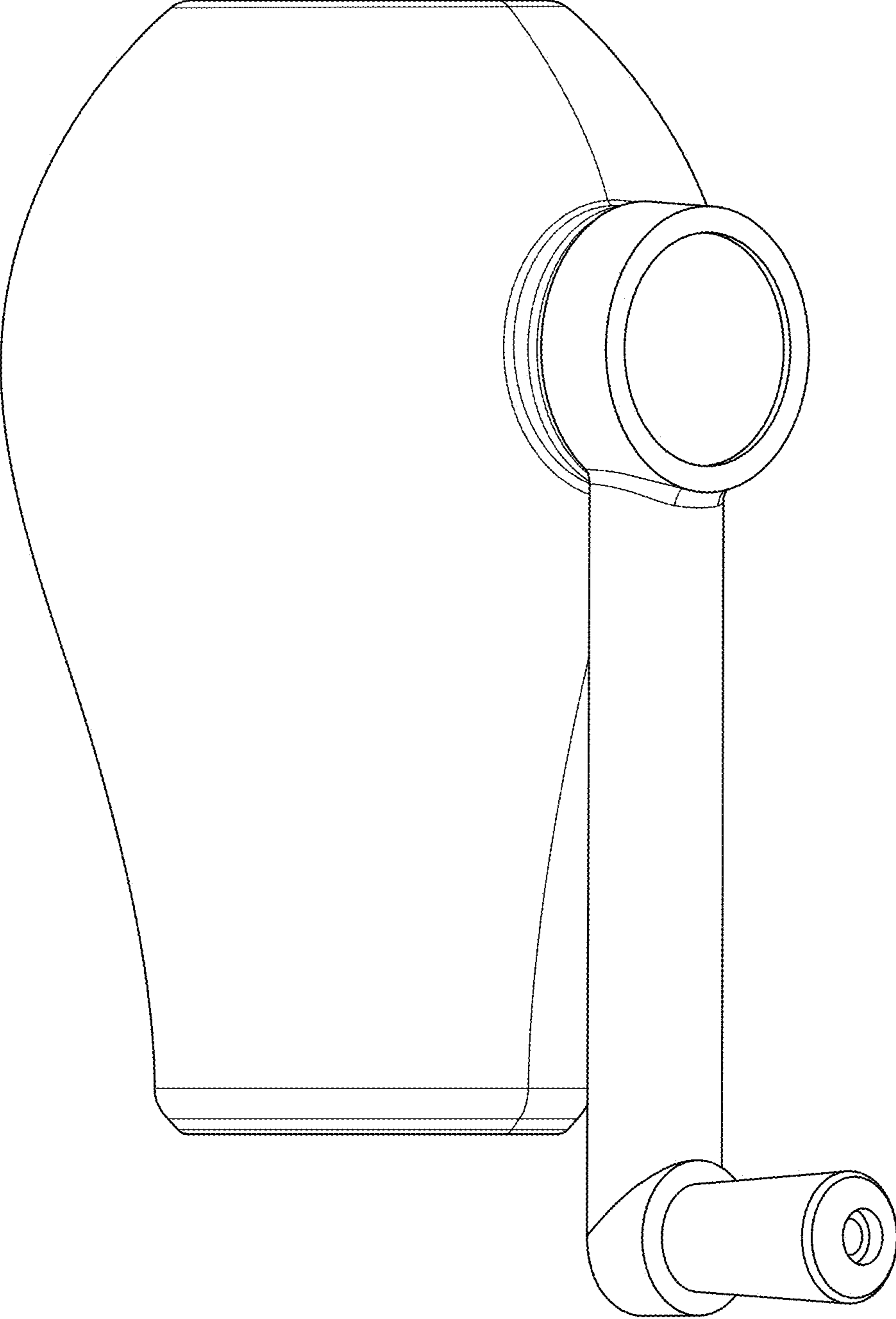
2003/0015229 A1\* 1/2003 Ma ..... A45B 25/14  
135/22

OTHER PUBLICATIONS

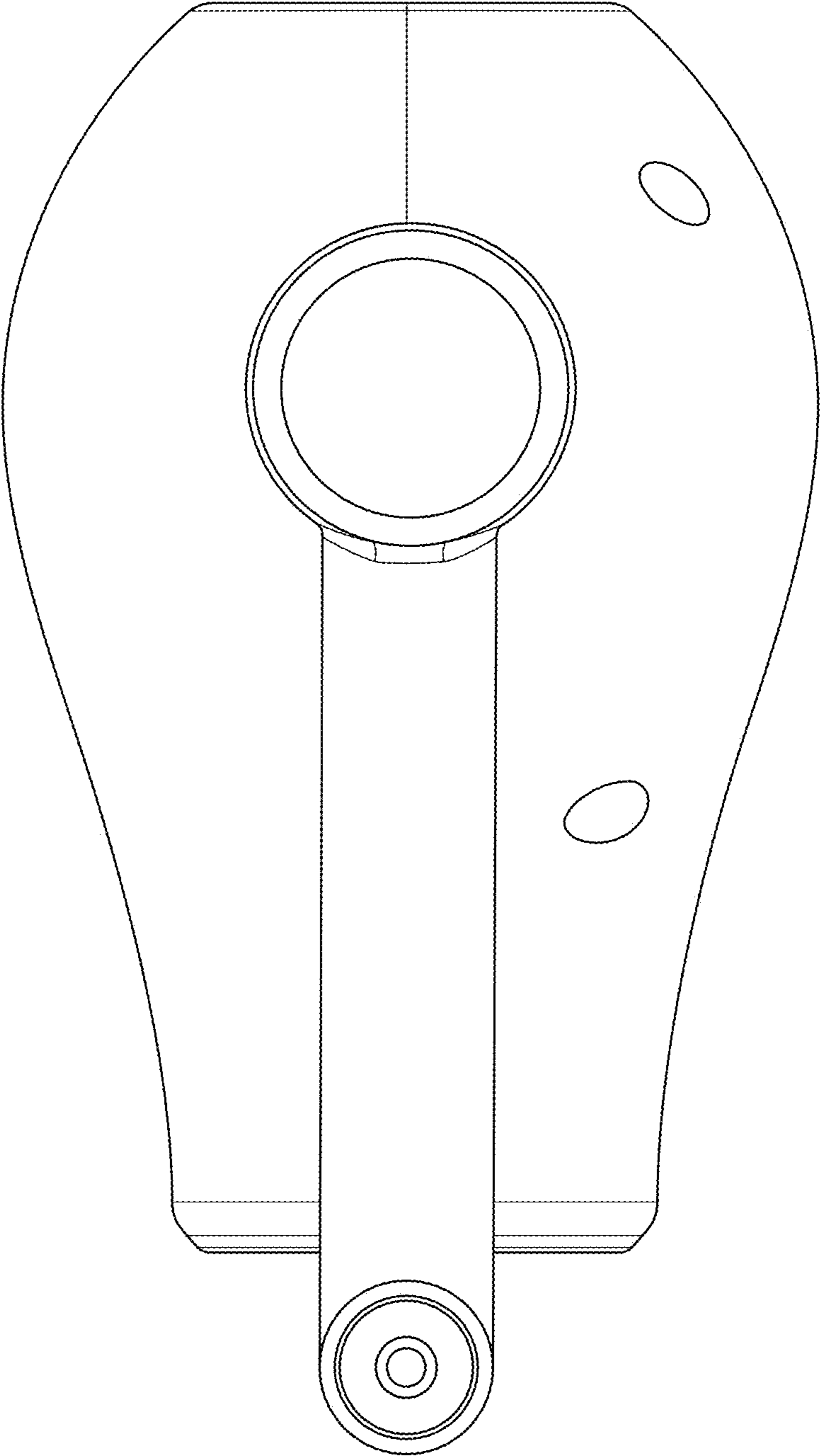
Amazon.ca, Site visited May 11, 2022, Yescom Solar Powered Patio Umbrella, First available May 21, 2020, <https://www.amazon.ca/Yescom-Lighted-Umbrella-Outdoor-Market/dp/B084VH2VW1> (Year: 2020).\*

Wayfair.com, Site visited May 11, 2022, Keven Market Umbrella, Oldest photo review dated Aug. 22, 2020, <https://www.wayfair.com/outdoor/pdp/arlmont-co-keven-75ft-heavy-duty-outdoor-market-patio-umbrella-w-push-button-tilt-easy-crank-lift-w004237352.html> (Year: 2020).\*

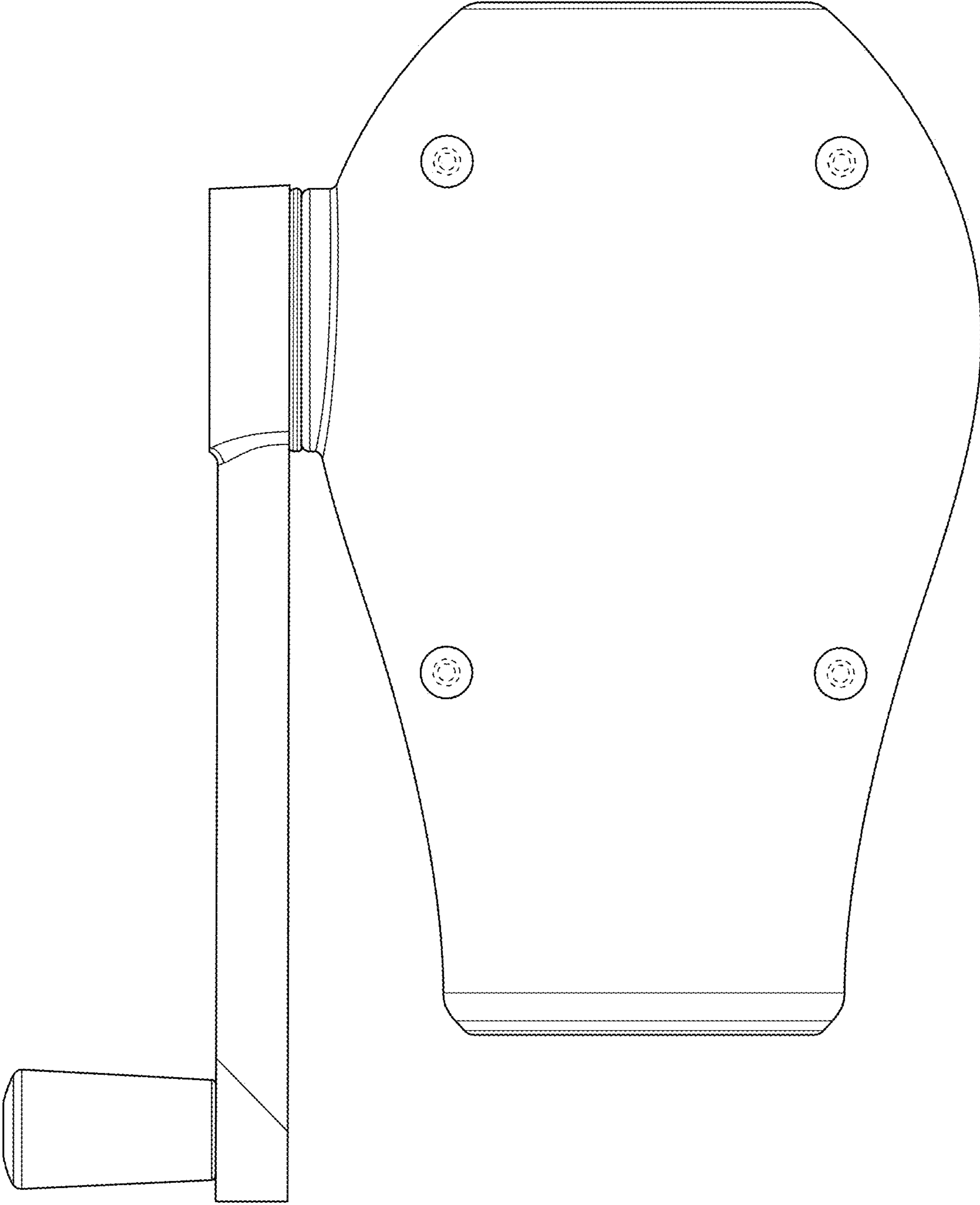
\* cited by examiner



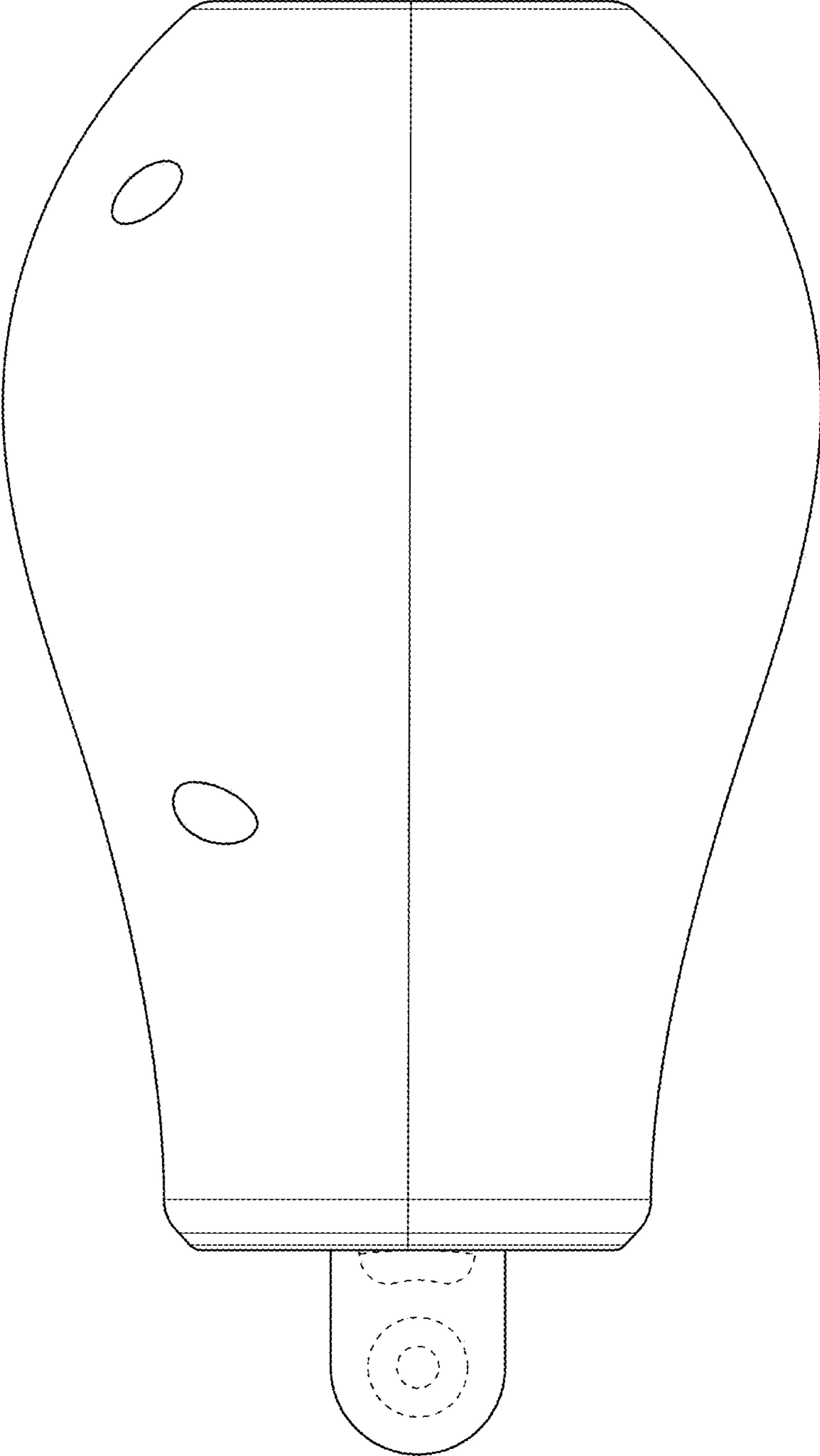
**FIG. 1**



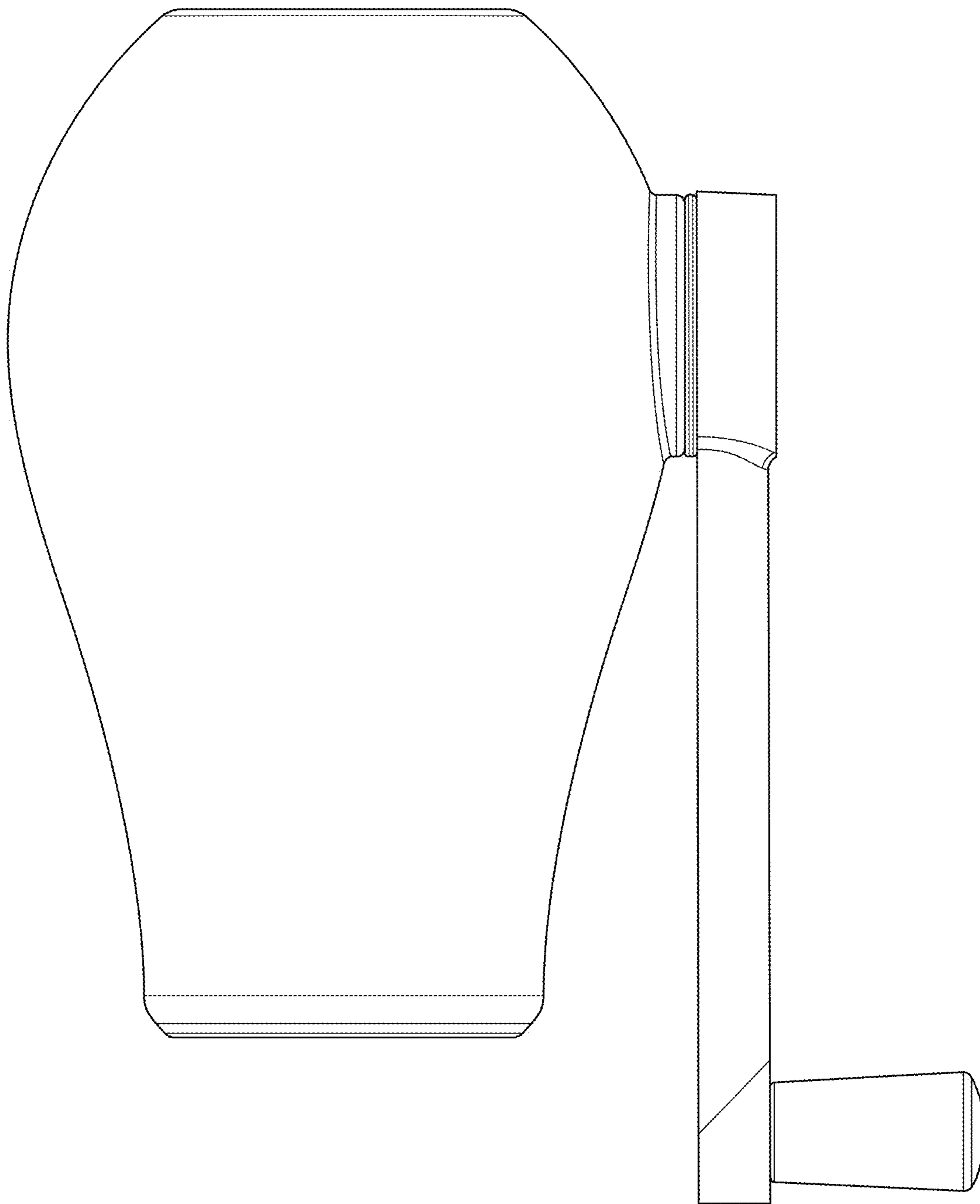
**FIG. 2**



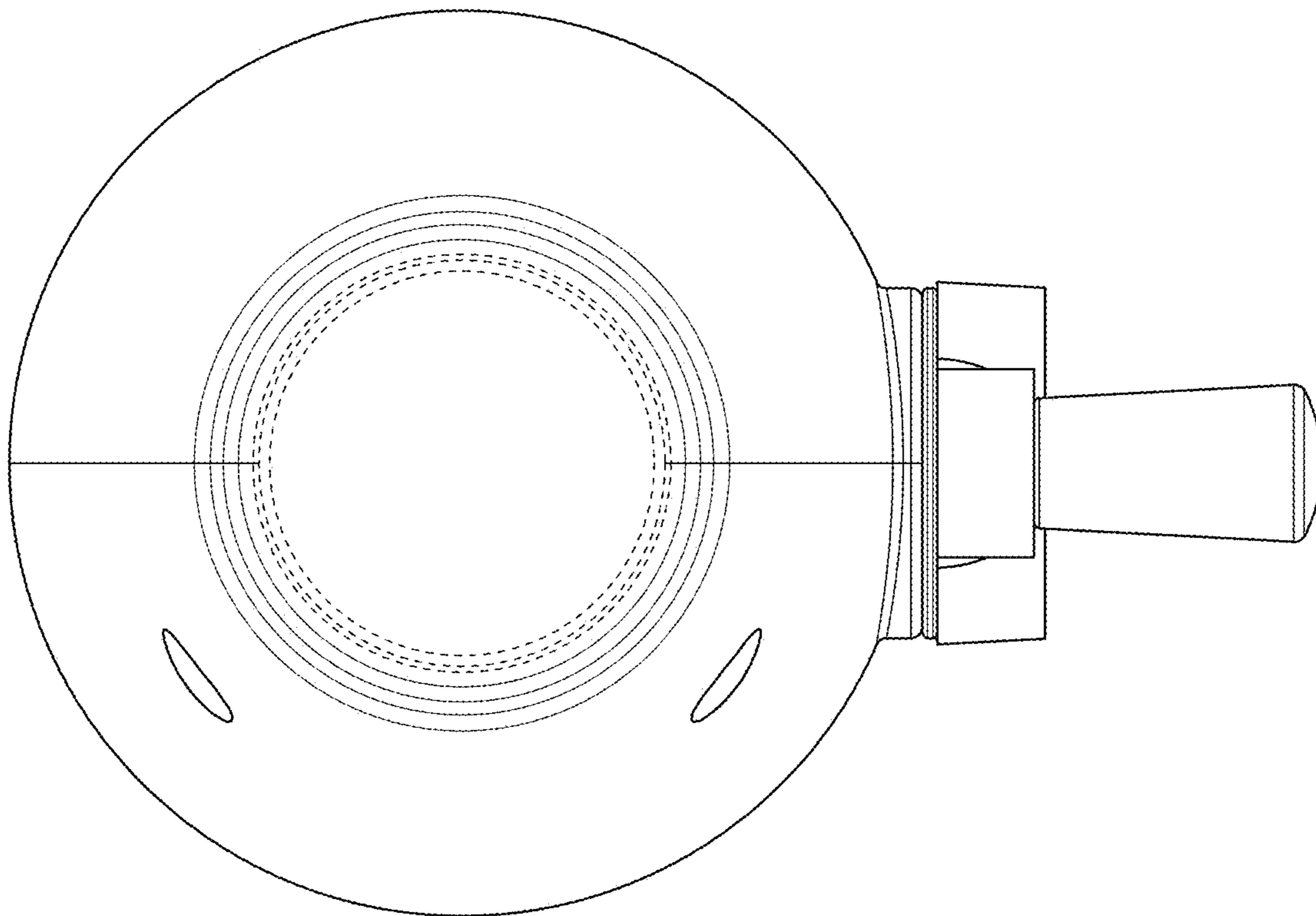
**FIG. 3**



**FIG. 4**

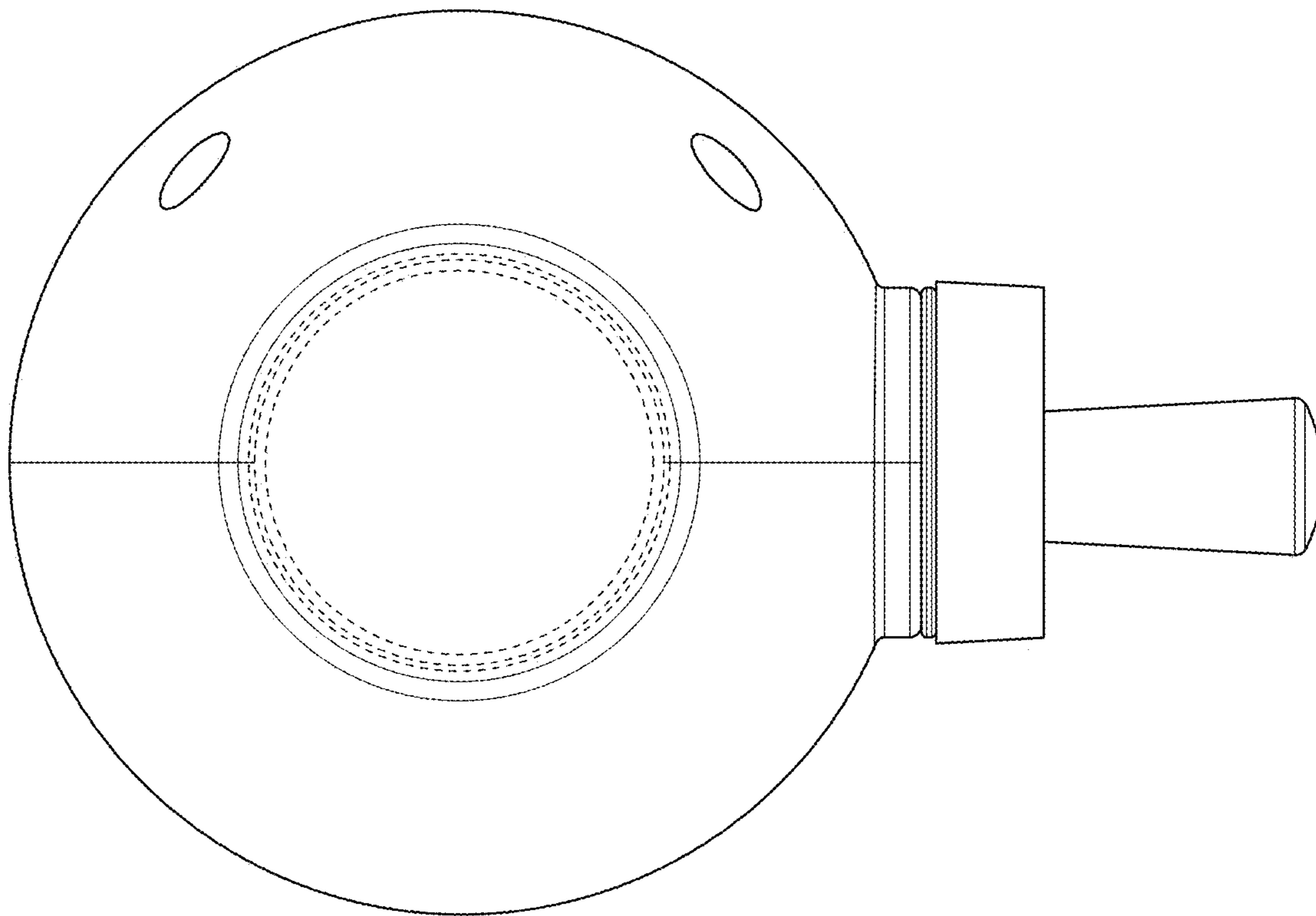


**FIG. 5**



**FIG. 6**





**FIG. 7**