



US00D971582S

(12) **United States Design Patent**
Stanley et al.

(10) **Patent No.:** **US D971,582 S**

(45) **Date of Patent:** **** Dec. 6, 2022**

- (54) **FOOTWEAR ACCESSORY**
- (71) Applicant: **STASH Sporting Goods, Inc.**,
Charlottesville, VA (US)
- (72) Inventors: **Carol Stanley**, Charlottesville, VA
(US); **Matthew James Neururer**,
Fargo, ND (US); **Gabriella Olivia**
Dignitti, Hamburg, NY (US)
- (73) Assignee: **Stash Sporting Goods, Inc.**,
Charlottesville, VA (US)
- (**) Term: **15 Years**
- (21) Appl. No.: **29/771,061**
- (22) Filed: **Feb. 19, 2021**
- (51) **LOC (13) Cl.** **02-07**
- (52) **U.S. Cl.**
USPC **D2/976**
- (58) **Field of Classification Search**
USPC D2/624, 639, 705, 853, 891, 894, 896,
D2/907, 911, 912, 925, 928, 929, 933,
D2/938, 943, 946, 969, 971, 973, 976,
D2/977, 978, 999; D8/382, 383;
D13/156
CPC A43B 23/24; A43C 11/20; A43C 11/24;
A43C 19/00; A43C 7/00; A43C 7/005;
A43C 7/04; A43C 7/06; A43C 7/08;
A44B 18/00
See application file for complete search history.

- 6,988,298 B2 * 1/2006 Ternasky A43C 7/02
24/712.2
 - 7,395,586 B1 * 7/2008 Gibson A43C 7/005
24/712.2
 - D582,353 S * 12/2008 Victor D13/156
 - D583,224 S * 12/2008 Holdsworth D8/382
 - D657,300 S * 4/2012 Wright D8/383
- (Continued)

FOREIGN PATENT DOCUMENTS

- KR 300918127.0000 * 8/2017
- KR 300938979.0000 * 1/2018
- KR 300938981.0000 * 1/2018

Primary Examiner — Jonathan J Han
Assistant Examiner — Jeff Lenard D Torres
 (74) *Attorney, Agent, or Firm* — Paul Frank + Collins
 P.C.

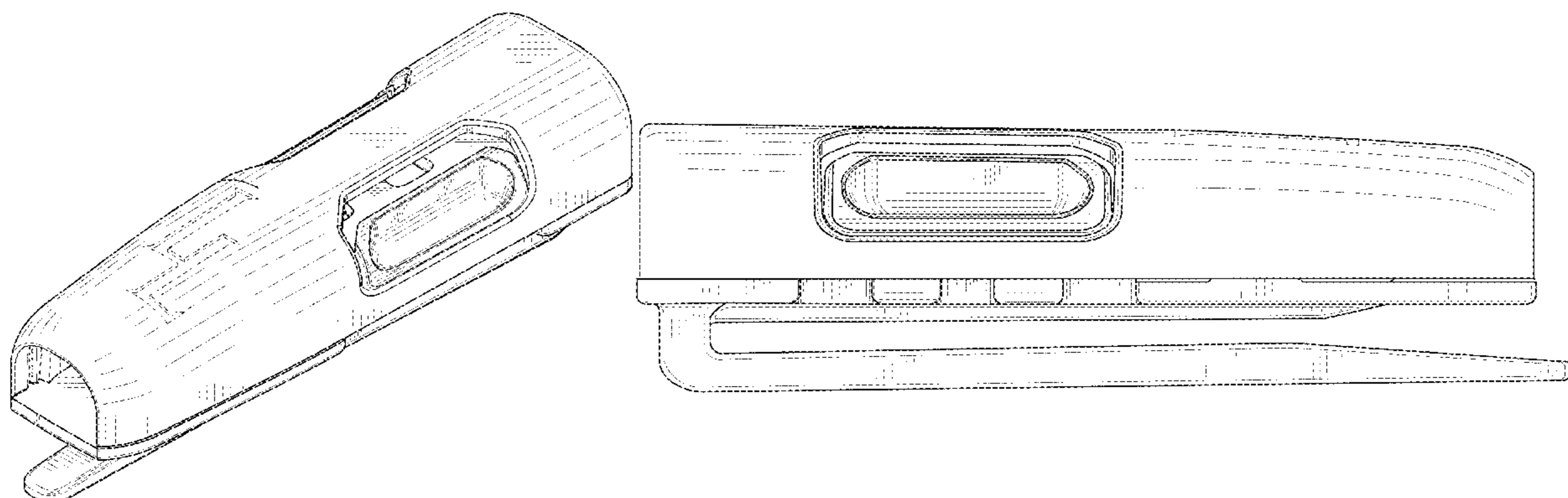
(57) **CLAIM**

The ornamental design for a footwear accessory, as shown and described.

DESCRIPTION

FIG. 1 is a perspective view illustrating the back, top and left side of a footwear accessory showing my new design;
 FIG. 2 is an elevation view of the front of the footwear accessory of FIG. 1;
 FIG. 3 is an elevation view of the back of the footwear accessory of FIG. 1;
 FIG. 4 is an elevation view of the right side of the footwear accessory of FIG. 1;
 FIG. 5 is an elevation view of the left side of the footwear accessory of FIG. 1;
 FIG. 6 is a plan view of the top of the footwear accessory of FIG. 1; and,
 FIG. 7 is a plan view of the bottom of the footwear accessory of FIG. 1.
 The elements shown in broken lines are for illustrating portions of the footwear accessory that form no part of the claimed design.

1 Claim, 7 Drawing Sheets



(56)

References Cited

U.S. PATENT DOCUMENTS

8,752,309 B2 * 6/2014 Cashel A43B 23/26
24/712.2
D759,467 S * 6/2016 Franta D8/356
9,615,629 B2 * 4/2017 Cashel A43B 23/26
10,016,019 B2 * 7/2018 Cashel A43C 11/24
D936,957 S * 11/2021 Furick D2/978
2004/0163285 A1 * 8/2004 Johnson A43D 999/00
36/136
2012/0279088 A1 * 11/2012 Cashel A43C 7/00
24/712.1
2014/0237859 A1 * 8/2014 Cashel A43B 1/0081
2/245
2017/0208902 A1 * 7/2017 Cashel A43C 11/24

* cited by examiner

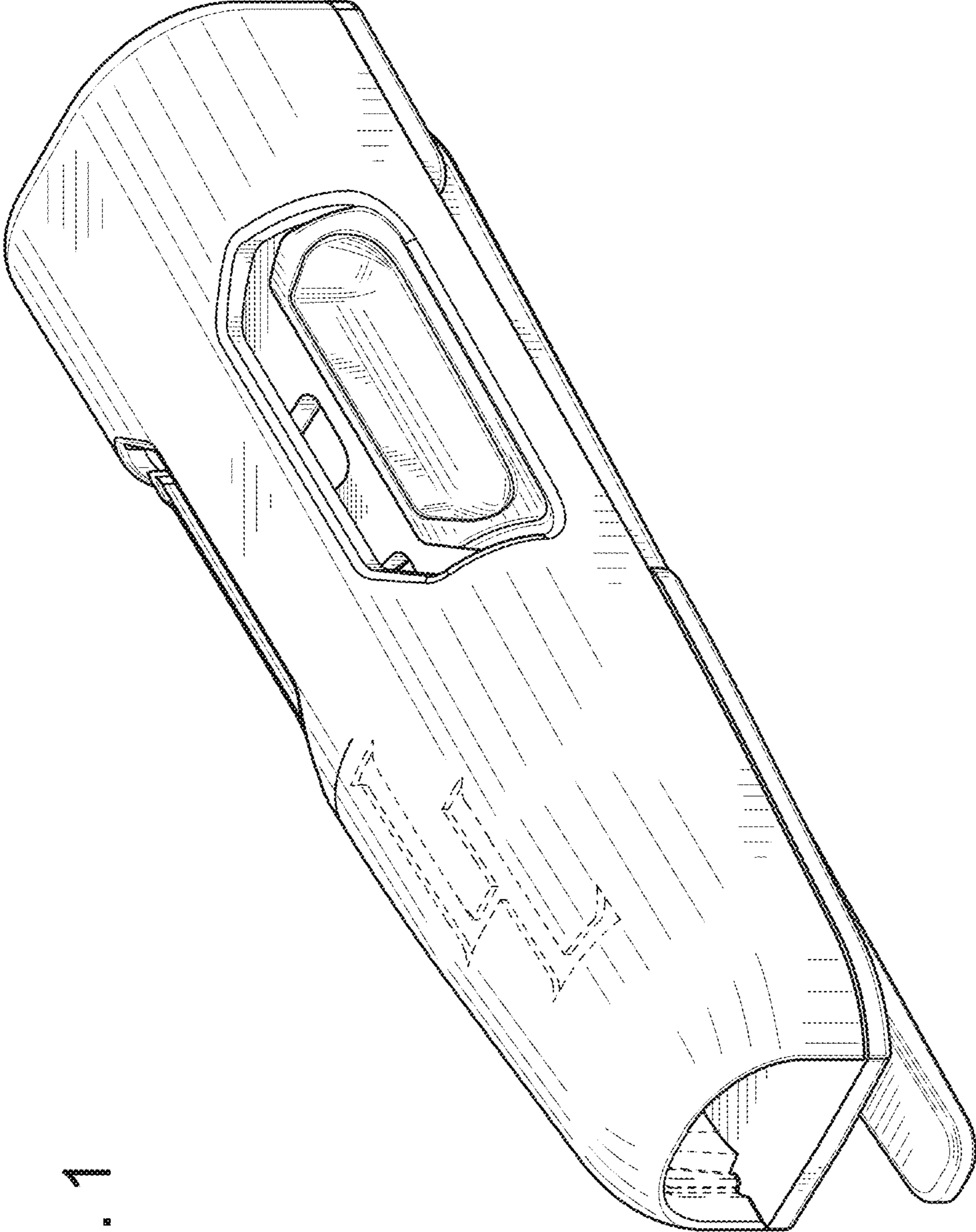


FIG. 1

FIG. 2

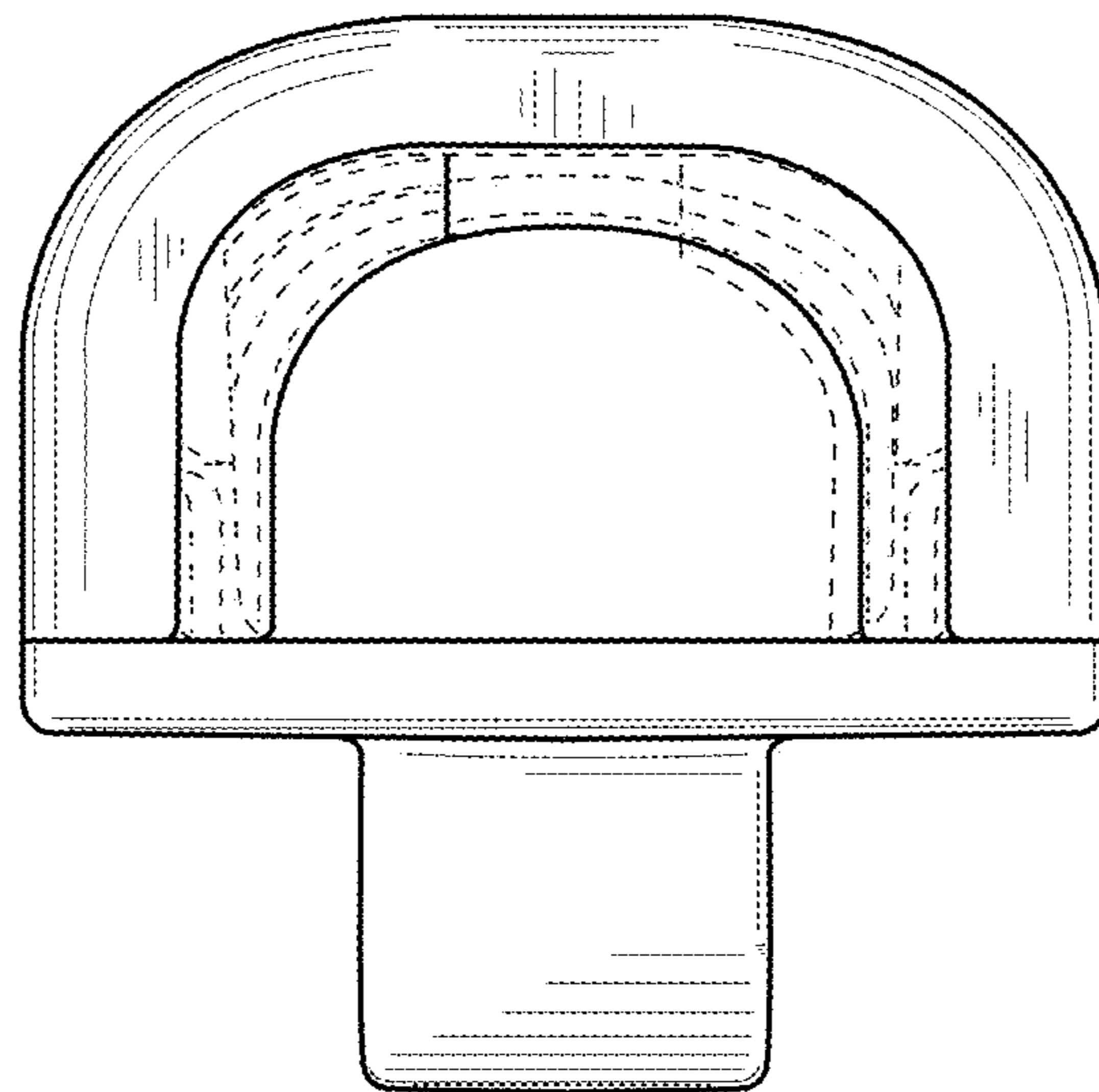


FIG. 3

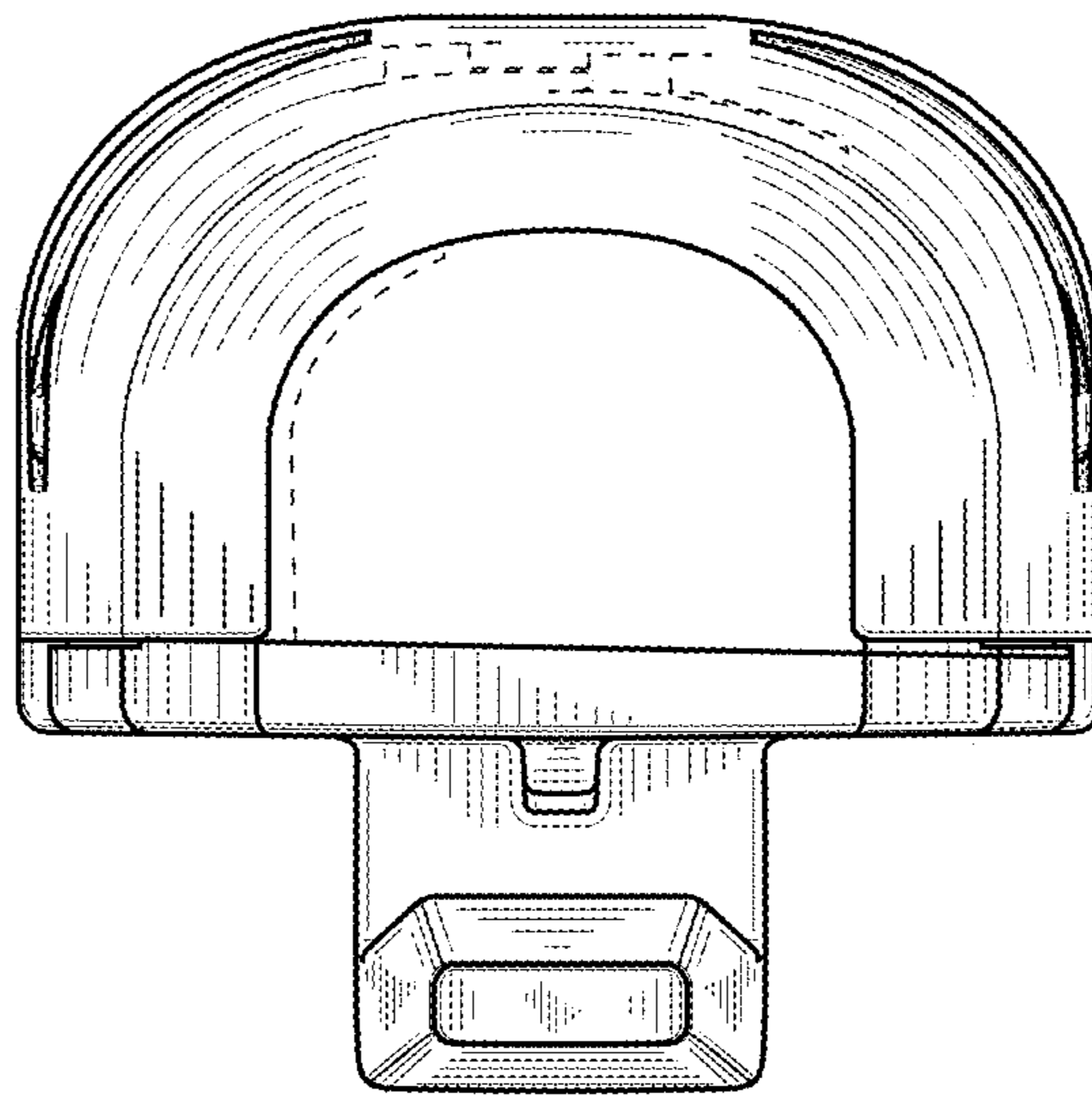


FIG. 4

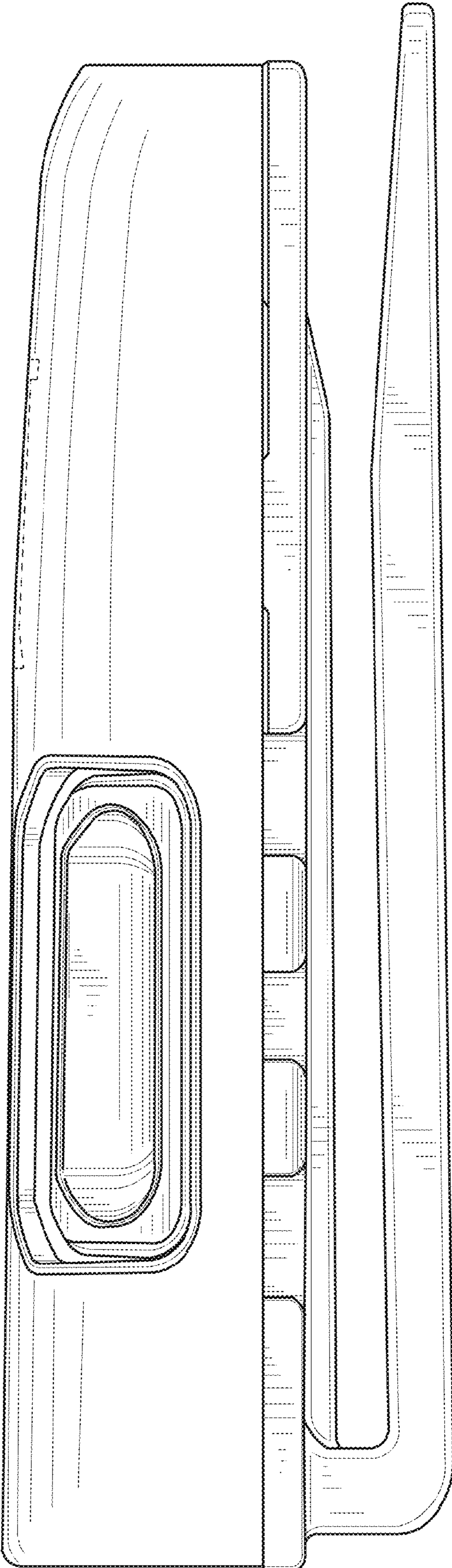


FIG. 5

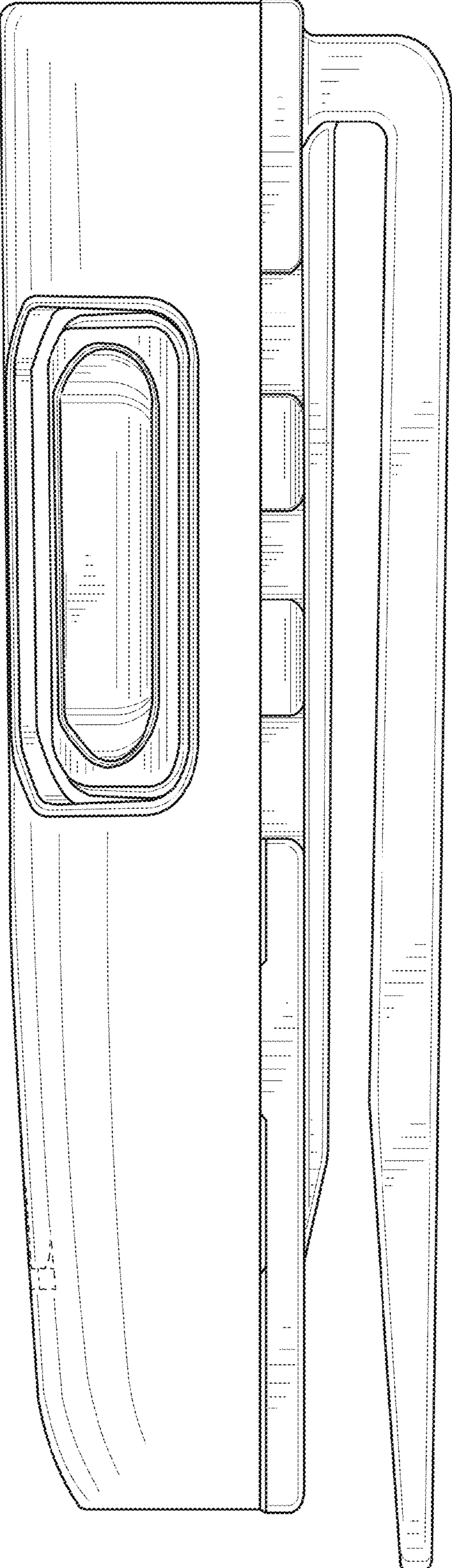


FIG. 6

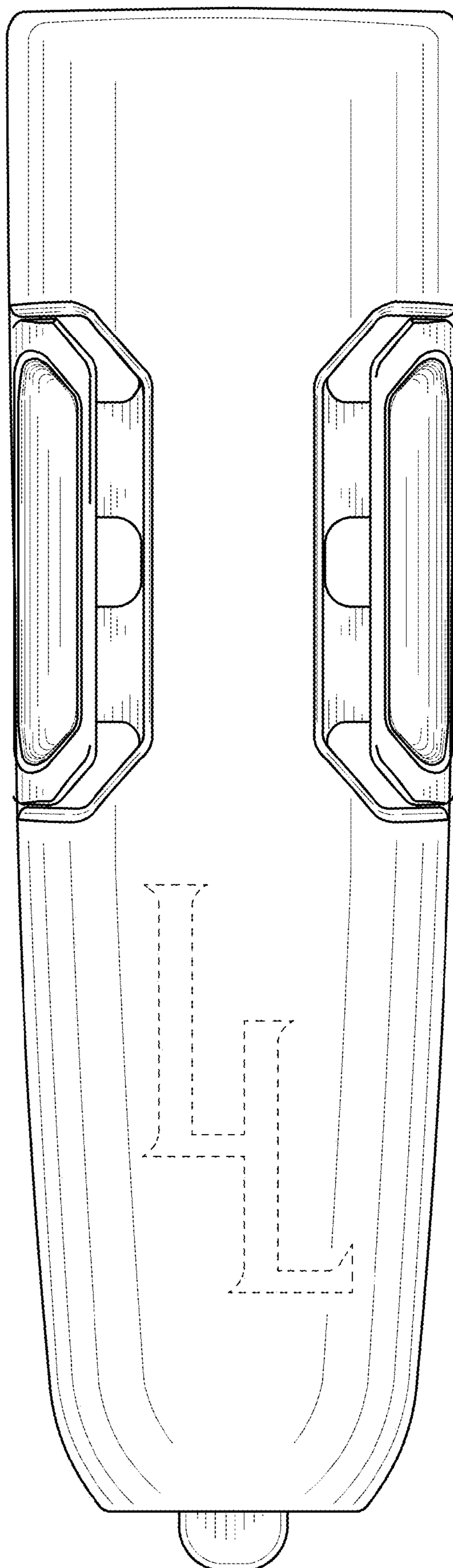


FIG. 7

