



US00D971573S

(12) **United States Design Patent**
Dadone et al.

(10) **Patent No.:** **US D971,573 S**
(45) **Date of Patent:** **** Dec. 6, 2022**

- (54) **SHOE HEEL**
- (71) Applicants: **Gianfranco Dadone**, Toronto (CA);
Gianluca Folino, Vaughan (CA)
- (72) Inventors: **Gianfranco Dadone**, Toronto (CA);
Gianluca Folino, Vaughan (CA)
- (**) Term: **15 Years**

D379,488 S *	5/1997	Hibben	D22/118
6,023,858 A *	2/2000	Srourian	A43B 21/42
				36/11.5
D515,174 S *	2/2006	Farrell, III	D22/118
D595,486 S *	7/2009	Van Hulle	D2/898
D731,160 S *	6/2015	Sofroniev	D2/898
D792,077 S *	7/2017	Denet	D2/966
D824,650 S *	8/2018	Manasra	D2/966
D855,961 S *	8/2019	Rossi	A43B 13/34
				D2/966

(Continued)

- (21) Appl. No.: **29/761,145**
- (22) Filed: **Dec. 7, 2020**
- (51) **LOC (13) Cl.** **02-04**
- (52) **U.S. Cl.**
USPC **D2/966; D2/964; D2/965**
- (58) **Field of Classification Search**
USPC D2/897, 916–923, 925–942, 943–946,
D2/964–968, 969, 971, 976, 978;
D8/102, 103; D22/118
CPC A43B 21/00; A43B 21/02; A43B 21/025;
A43B 21/03; A43B 21/04; A43B 21/06;
A43B 21/08; A43B 21/18; A43B 21/20;
A43B 21/24; A43B 21/26; A43B 21/30;
A43B 21/32; A43B 21/36; A43B 21/38;
A43B 21/42; A43B 21/433; A43B
21/437; A43B 7/16; A43B 1/00; A43B
1/08; A43B 3/00
See application file for complete search history.

(56) **References Cited**

U.S. PATENT DOCUMENTS

D28,925 S *	6/1898	Peck	D8/DIG. 3
D149,590 S *	5/1948	Schlegel	D8/103
D161,701 S *	1/1951	McLean	D8/DIG. 3
3,216,133 A *	11/1965	Houle	A43B 13/34
				36/34 R
3,514,879 A *	6/1970	Frattallone	A43B 21/46
				D2/966
D222,936 S *	2/1972	Cole	D22/118
D375,779 S *	11/1996	Hibben	D22/118

OTHER PUBLICATIONS

Grande Dame, My Totally Killer New Heels, announced Apr. 13, 2012 [online], [site visited Apr. 12, 2022]. Available from internet, URL: <https://www.grandedame.co.uk/tag/fuck-me-heels/> (Year: 2012).*

(Continued)

Primary Examiner — Leanne Was-Englehart
Assistant Examiner — Yelizaveta Y Masalimova
(74) *Attorney, Agent, or Firm* — Bereskin & Parr LLP

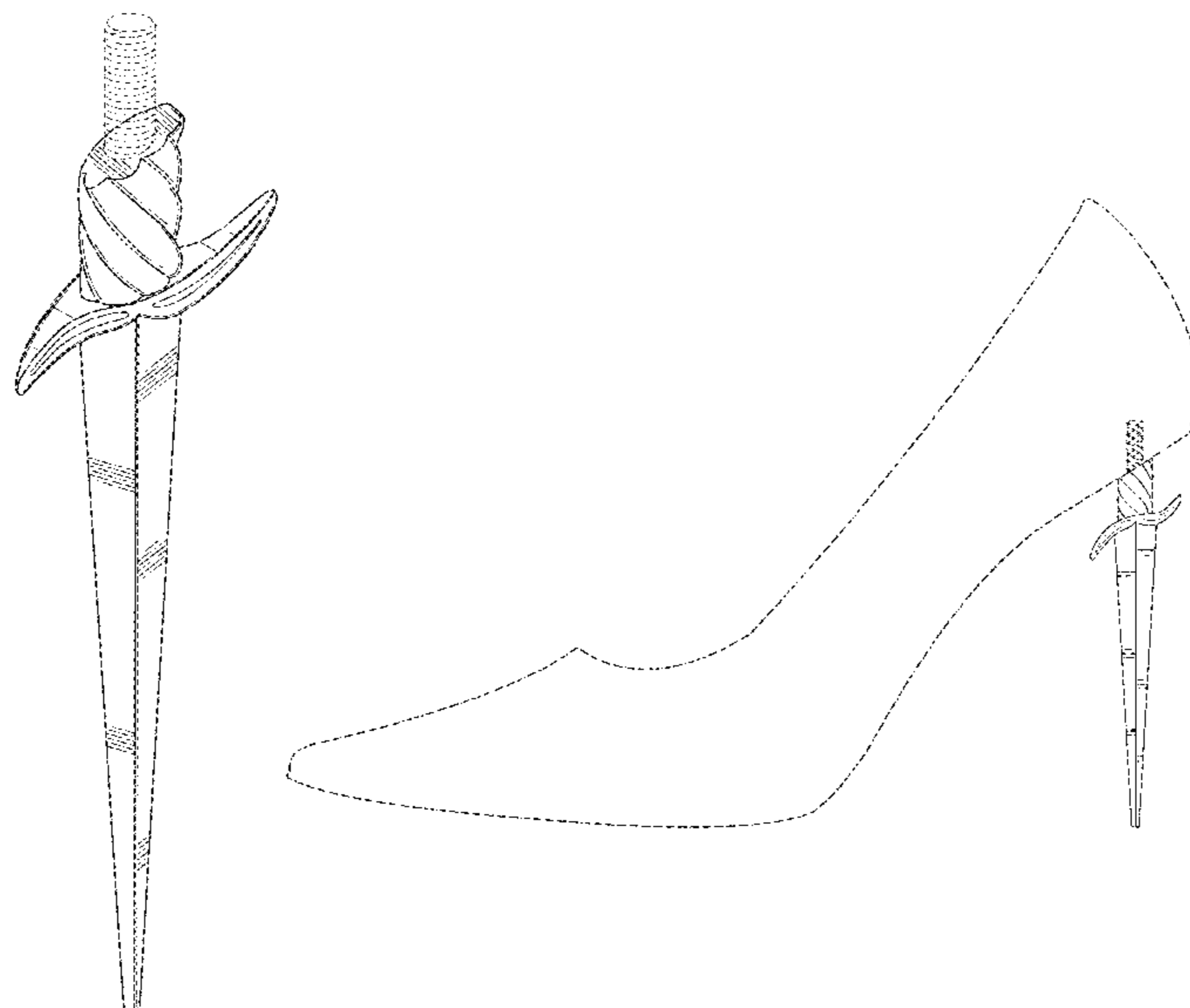
(57) **CLAIM**

The ornamental design for a shoe heel, as shown and described.

DESCRIPTION

FIG. 1 is a perspective view of a shoe heel showing our new design;
FIG. 2 is a front view thereof;
FIG. 3 is a right side view thereof;
FIG. 4 is a rear view thereof;
FIG. 5 is a left side view thereof;
FIG. 6 is a top plan view thereof;
FIG. 7 is a bottom plan view thereof; and,
FIG. 8 is a front view thereof shown in condition of use with a shoe in broken lines for environment.
The portions shown in even-dashed broken lines do not form part of the design.

1 Claim, 4 Drawing Sheets



(56)

References Cited

U.S. PATENT DOCUMENTS

D882,231 S * 4/2020 Larian A43B 21/42
D2/966
D903,271 S * 12/2020 Williams A43B 21/46
D2/965

OTHER PUBLICATIONS

Cesare Paciotti shoes with tiny swords on them, announced Dec. 27, 2017 [online], [site visited Apr. 13, 2022]. Available from internet, URL: <https://nobodysuspectsthebutterfly.tumblr.com/post/169002308809/cesare-paciotti-shoes-with-tiny-swords-on-them> (Year: 2017).*

Pinterest website photo. Too Fast Clothing. <https://www.pinterest.ca/pin/347340189980710551/>. Last accessed Oct. 21, 2020.

Pinterest website photo. Amy Battles. <https://www.pinterest.ca/pin/261419953339801918/>. Last accessed Oct. 21, 2020.

* cited by examiner

Fig. 1

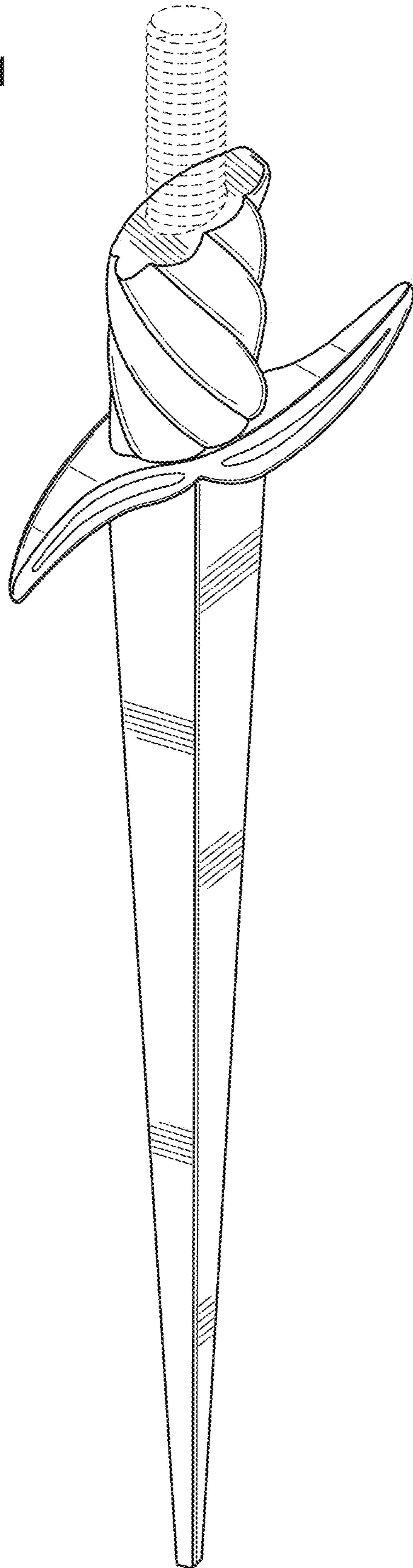


Fig. 2

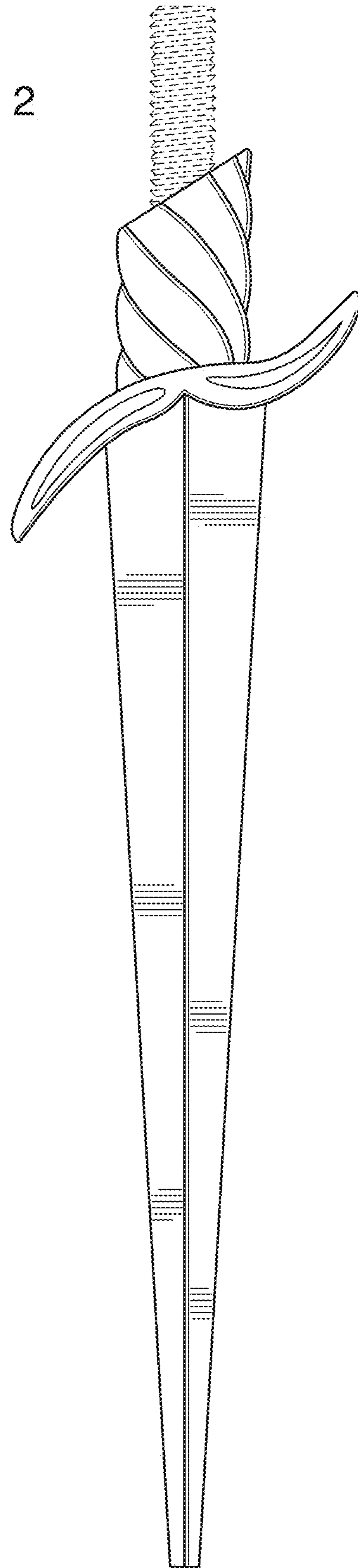


Fig. 3

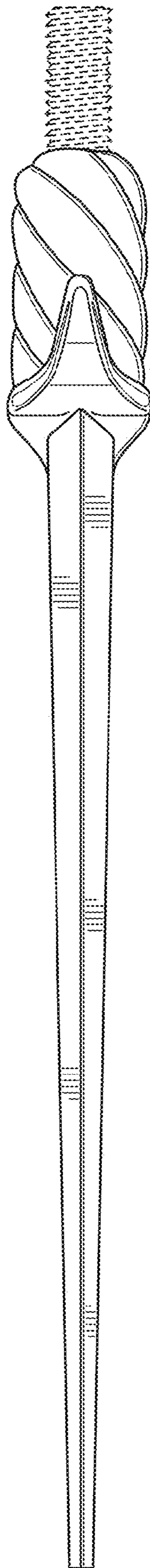


Fig. 4

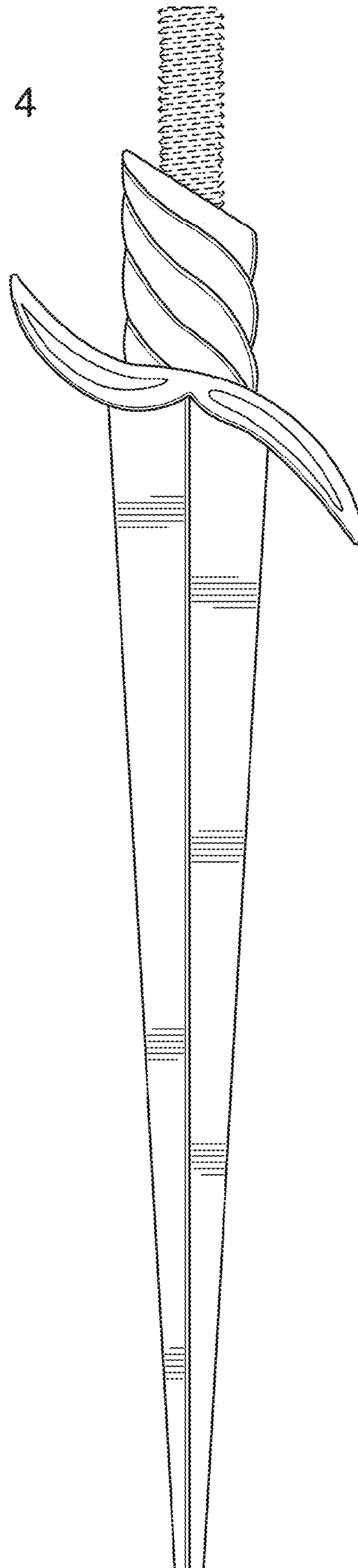


Fig. 5

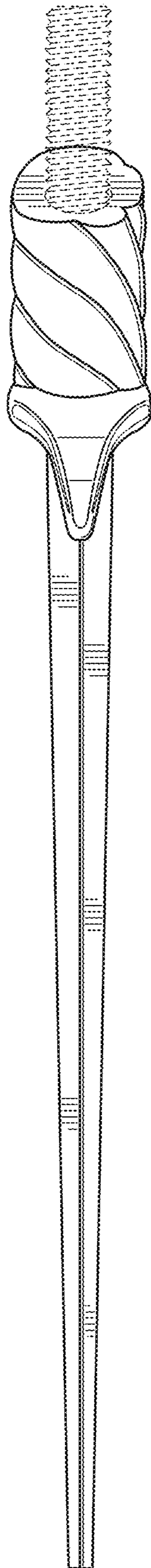


Fig. 6

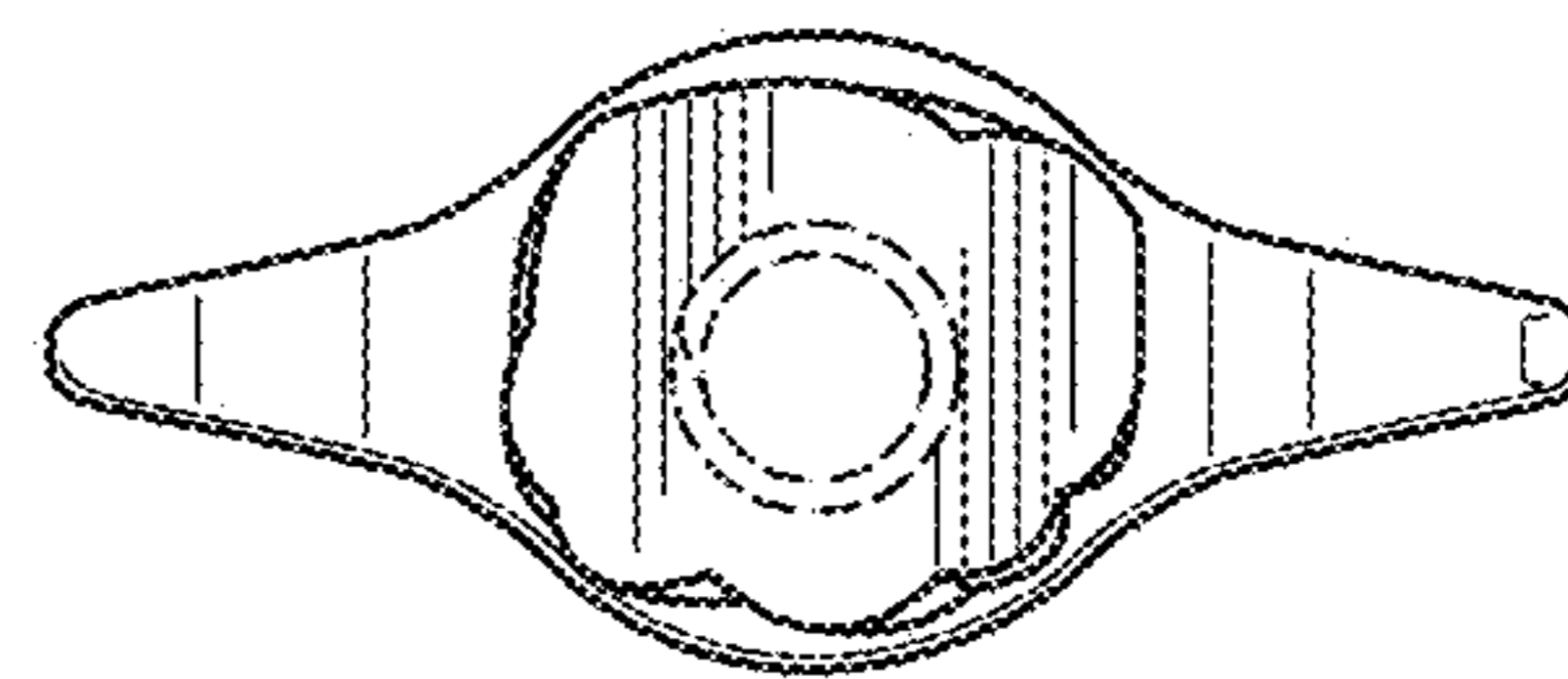
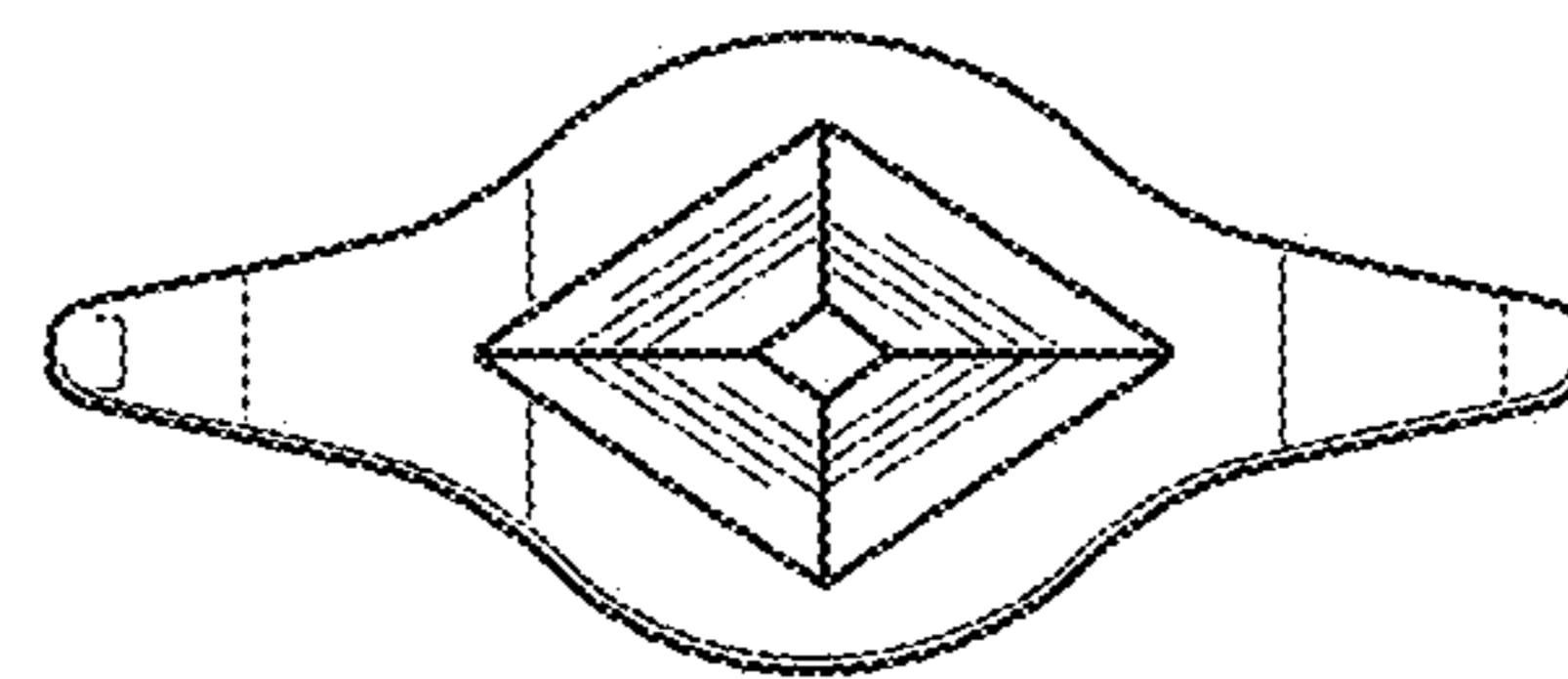


Fig. 7



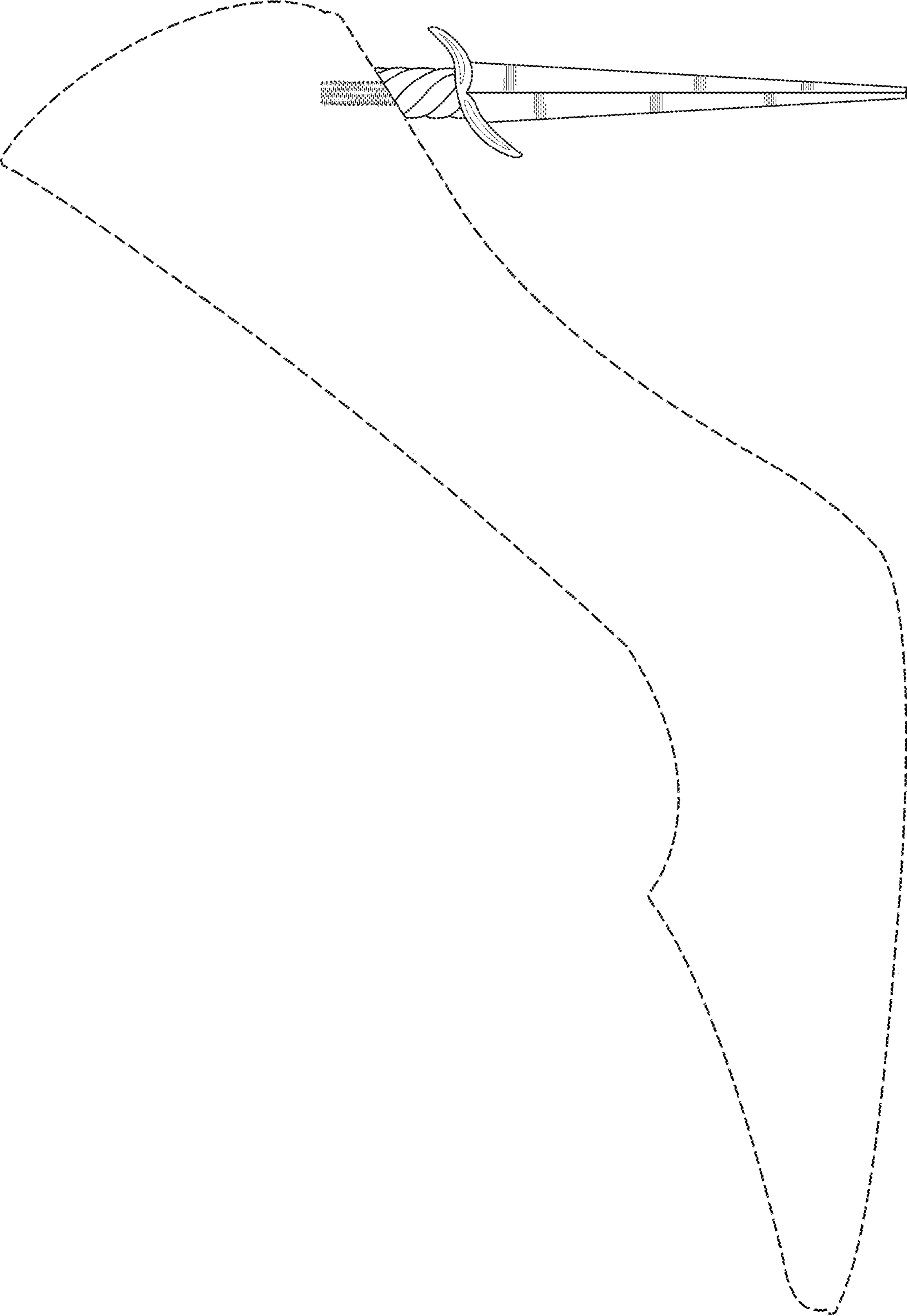


Fig. 8