



US00D971572S

(12) **United States Design Patent**
Nelson et al.

(10) **Patent No.: US D971,572 S**

(45) **Date of Patent: ** Dec. 6, 2022**

(54) **MULTI-SURFACE TRACTION SLING**

4,299,037 A * 11/1981 Carey A43C 15/06
36/62

(71) Applicant: **Tenacious Holdings, Inc.**, St. Paul, MN
(US)

D272,772 S 2/1984 Kohno
4,635,383 A * 1/1987 Free A43B 3/16
36/134

(72) Inventors: **Alsie Nelson**, Woodbury, MN (US);
Dominique Aris, Rolling Hills Estate,
CA (US)

D293,160 S 12/1987 Le Droit
(Continued)

FOREIGN PATENT DOCUMENTS

(73) Assignee: **Tenacious Holdings, Inc.**, St. Paul, MN
(US)

EM 008459242-0001 * 3/2021

OTHER PUBLICATIONS

(**) Term: **15 Years**

Ergodyne—Slip On Spikeless Traction Devices, announced Aug. 6,
2020 [online], [site visited Jun. 12, 2022]. Available from internet,
URL: <https://www.amazon.com/Ergodyne-Spikeless-Traction-Devices-Outdoor/dp/B08FCXWX27?th=1> (Year: 2020).*

(21) Appl. No.: **29/753,591**

(22) Filed: **Oct. 1, 2020**

(51) **LOC (13) Cl.** **02-04**

(52) **U.S. Cl.**

USPC **D2/962**; D2/914

(58) **Field of Classification Search**

USPC D2/906, 908, 914, 943, 946, 947, 951,
D2/957, 962, 968, 976, 978

CPC A43C 15/00; A43C 15/02; A43C 15/04;

A43C 15/06; A43C 15/10; A43C 13/02;

A43B 5/001; A43B 5/02; A43B 5/18;

A43B 5/185; A43B 13/00; A43B 13/04;

A43B 13/10; A43B 13/22

See application file for complete search history.

Primary Examiner — Leanne Was-Englehart

Assistant Examiner — Yelizaveta Y Masalimova

(74) *Attorney, Agent, or Firm* — Skaar Ulbrich Macari,
P.A.

(57) **CLAIM**

The ornamental design for a multi-surface traction sling, as
shown and described.

DESCRIPTION

FIG. 1 is a perspective view of a multi-surface traction sling
showing our new design.

FIG. 2 is a front elevation view thereof;

FIG. 3 is a rear elevation view thereof;

FIG. 4 is a left side elevation view thereof;

FIG. 5 is a right side elevation view thereof;

FIG. 6 is a top plan view thereof; and,

FIG. 7 is a bottom plan view thereof.

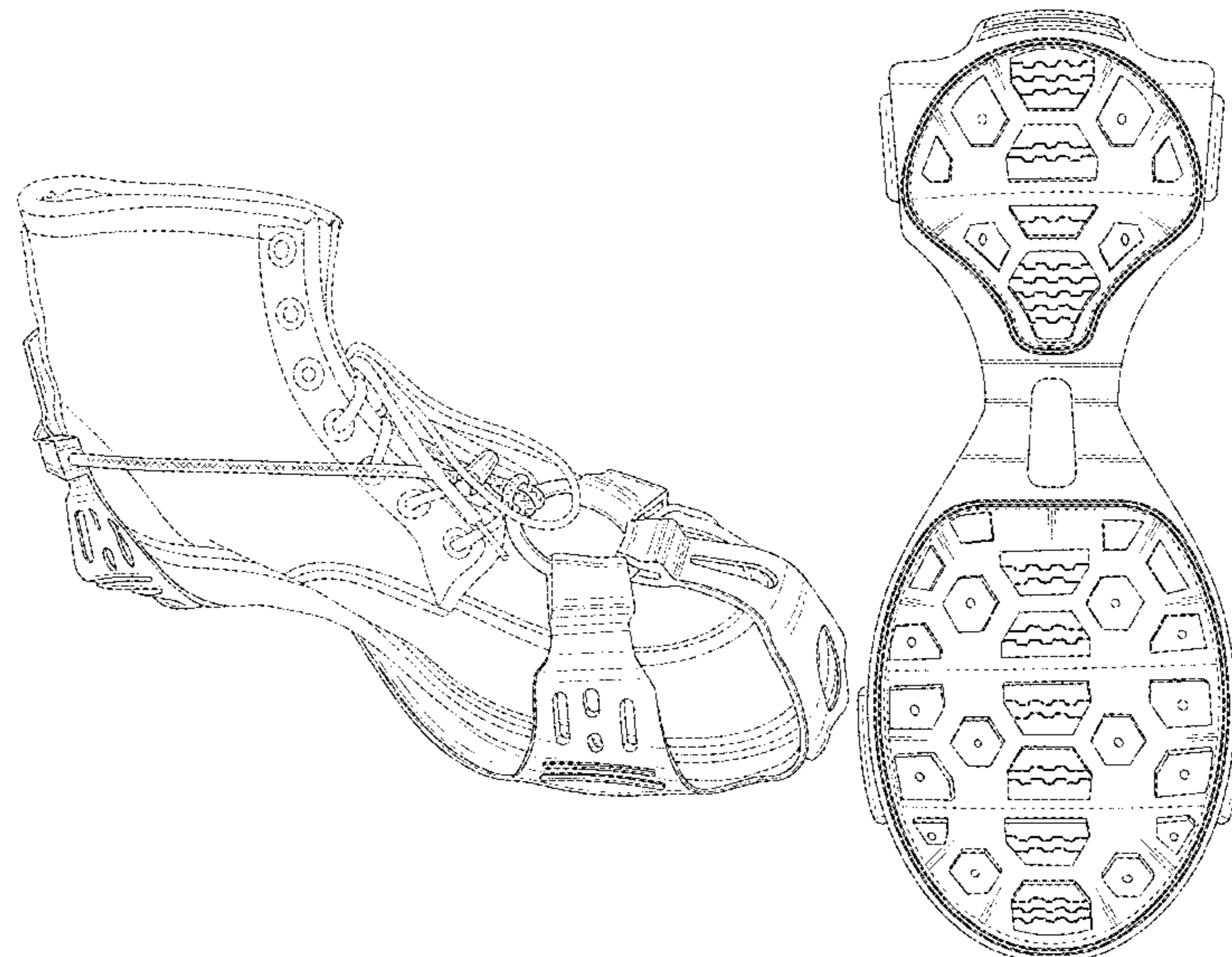
The footwear shown in FIG. 1 forms no part of the claimed
invention. The broken lines shown in FIG. 7 represent
stitching and form a part of the claimed invention.

(56) **References Cited**

U.S. PATENT DOCUMENTS

1,406,657 A 2/1922 Knizek
1,407,992 A 2/1922 Doody
2,189,489 A * 2/1940 Fritz A43C 13/02
36/7.6
2,685,141 A 9/1951 Davenport
3,355,823 A * 12/1967 Vogt A43C 15/06
12/142 R
D259,297 S * 5/1981 Carey A43B 3/00
D2/962

1 Claim, 7 Drawing Sheets



(56)

References Cited

U.S. PATENT DOCUMENTS

5,463,823	A *	11/1995	Bell	A43C 15/00	8,225,529	B2	7/2012	Simms
					36/58.6	D670,491	S	11/2012	Ko et al.
D377,710	S	2/1997	Poust			D681,930	S	5/2013	Hansen
5,659,978	A *	8/1997	Bell	A43C 15/06	D719,336	S	12/2014	Berend et al.
					36/62	D770,745	S	11/2016	Ke
D394,740	S	6/1998	Poust			D780,422	S	3/2017	Barrow
5,842,290	A	12/1998	Mills			D838,446	S	1/2019	Mantey
D407,544	S	4/1999	Kenser			D840,644	S	2/2019	Pang
D408,619	S	4/1999	Worthington et al.			D843,099	S	3/2019	Bunch
5,921,005	A	7/1999	Bell et al.			D853,090	S	7/2019	Yang
6,154,982	A *	12/2000	Bell	A43B 5/18	D869,129	S	12/2019	Lehtinen
					36/7.6	D908,323	S *	1/2021	Hua D2/915
6,836,977	B2	1/2005	Larson et al.			D928,490	S *	8/2021	Kang A43C 13/02
D559,514	S *	1/2008	Norton	D2/962				D2/962
D559,515	S	1/2008	Norton et al.			2008/0040947	A1 *	2/2008	Burgess A43B 3/00
D559,516	S	1/2008	Norton et al.						36/62
D628,372	S	12/2010	Bell et al.			2011/0047829	A1 *	3/2011	Bell A43C 15/161
D631,644	S	2/2011	Simms						36/62
D651,381	S	1/2012	Simms			2013/0067776	A1	3/2013	Auger et al.
D654,667	S	2/2012	Jennings			2013/0139412	A1	6/2013	Auger et al.
D659,970	S	5/2012	Liao			2016/0366982	A1 *	12/2016	Chaney A43C 15/061
						2022/0104577	A1 *	4/2022	Nelson A43C 15/06
									D2/915

* cited by examiner

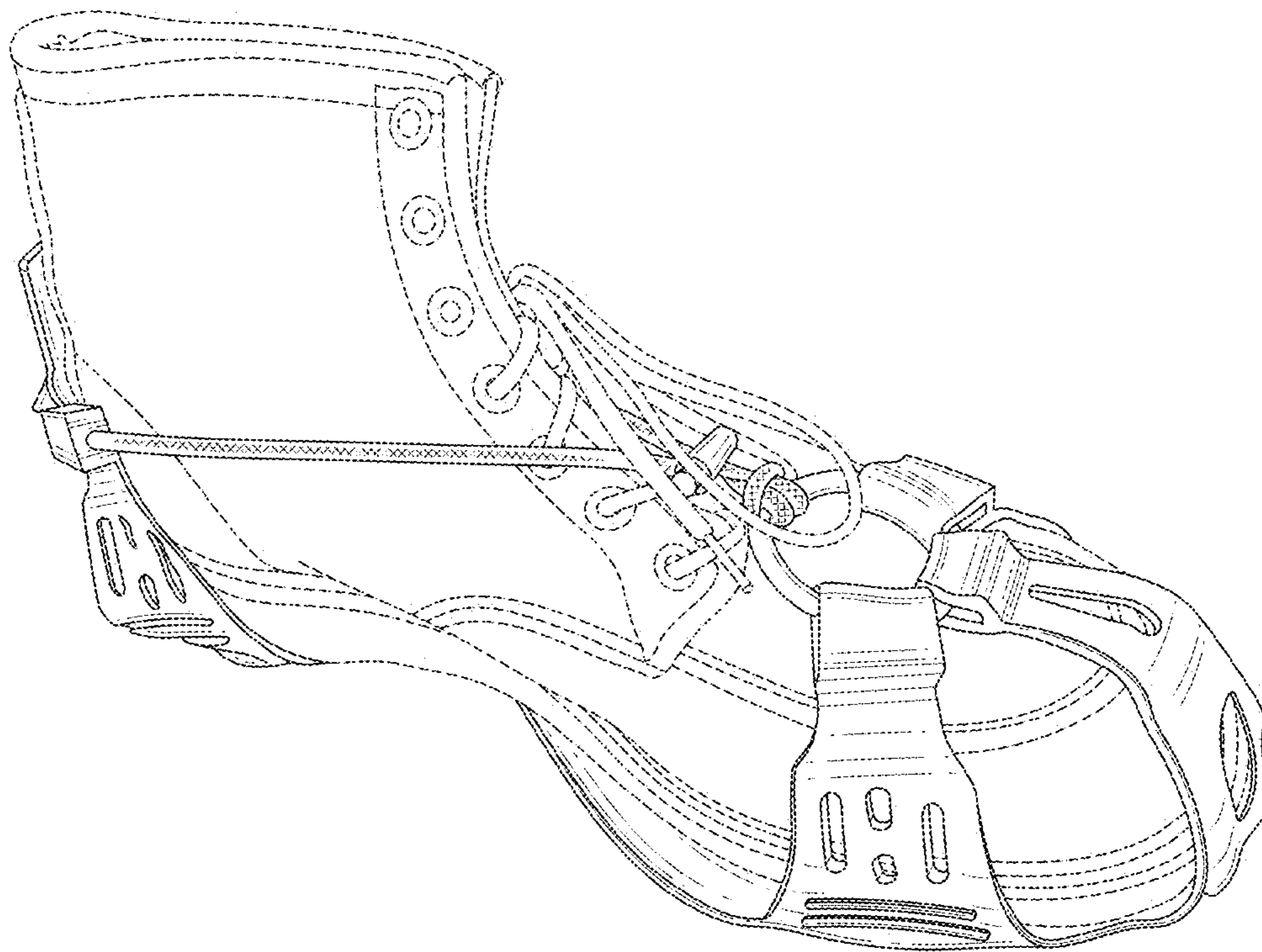


FIG. 1

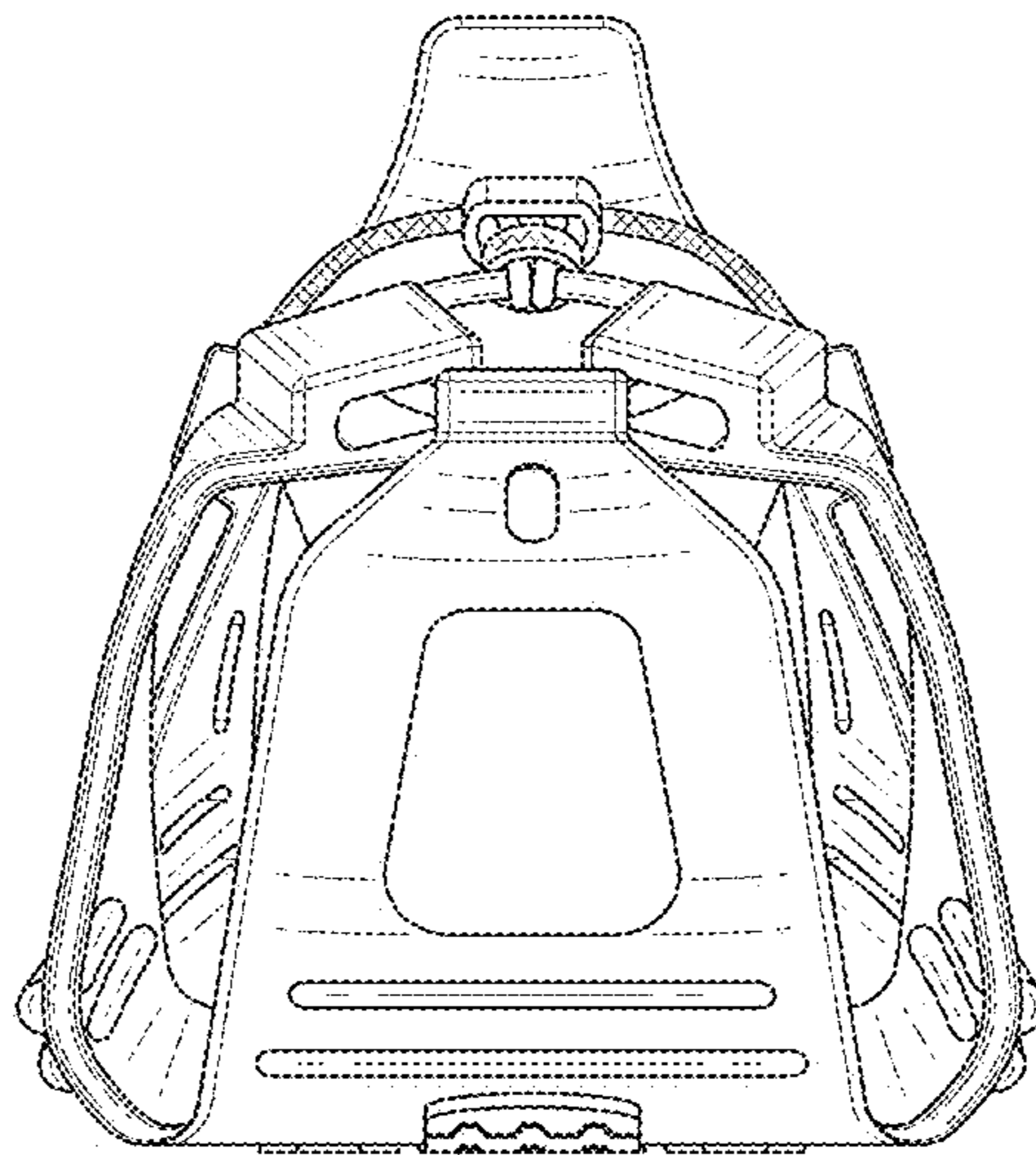


FIG. 2

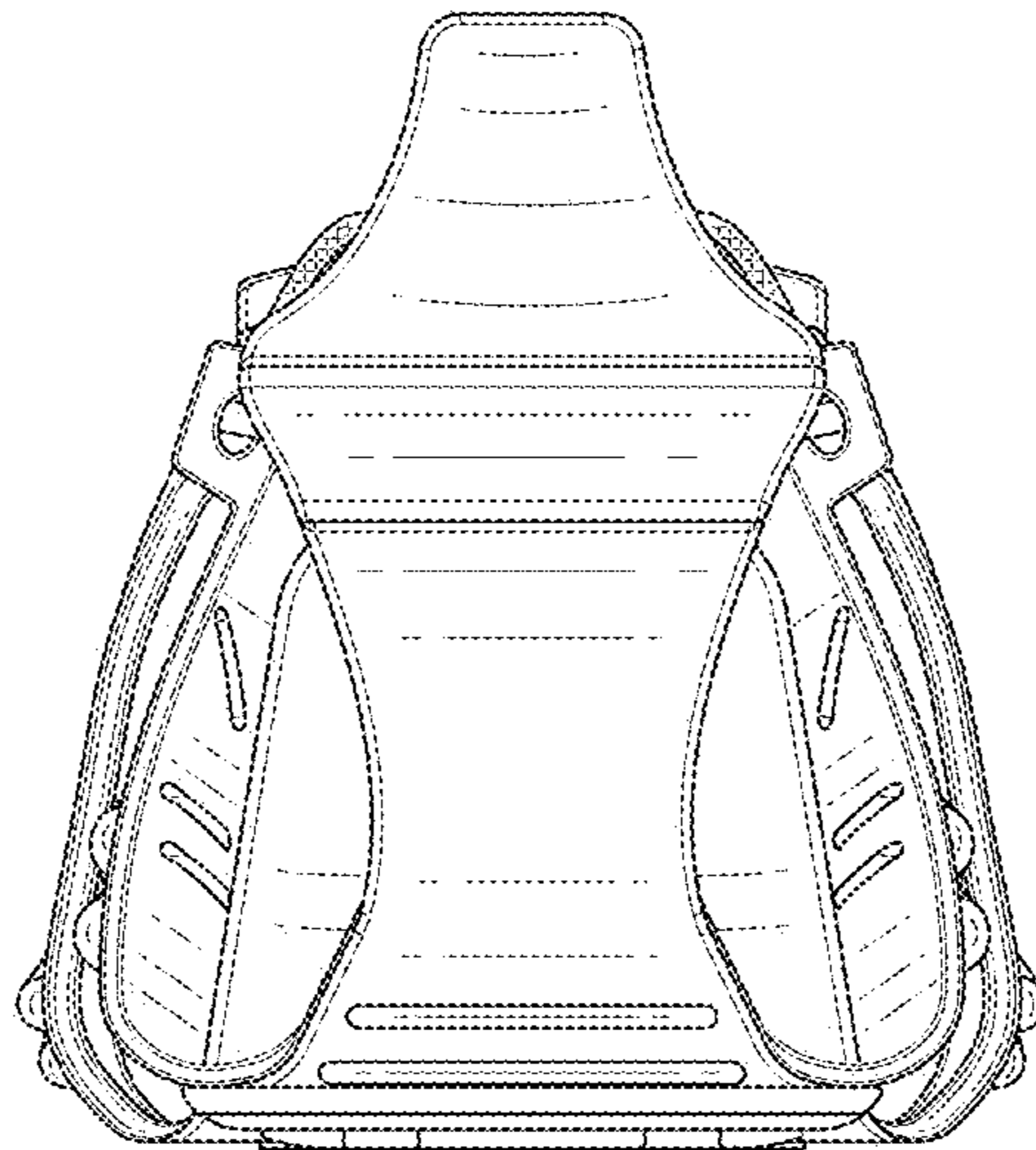


FIG. 3

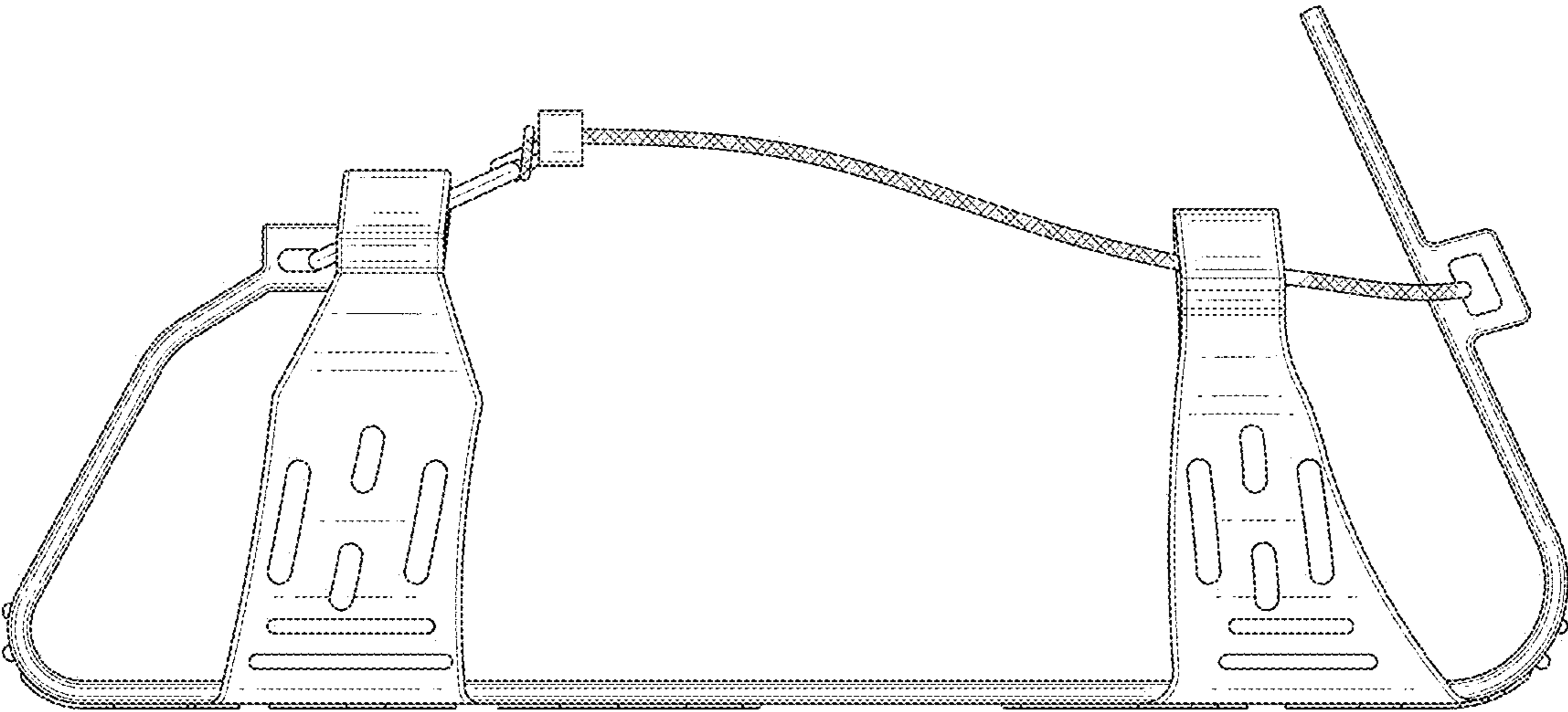


FIG. 4

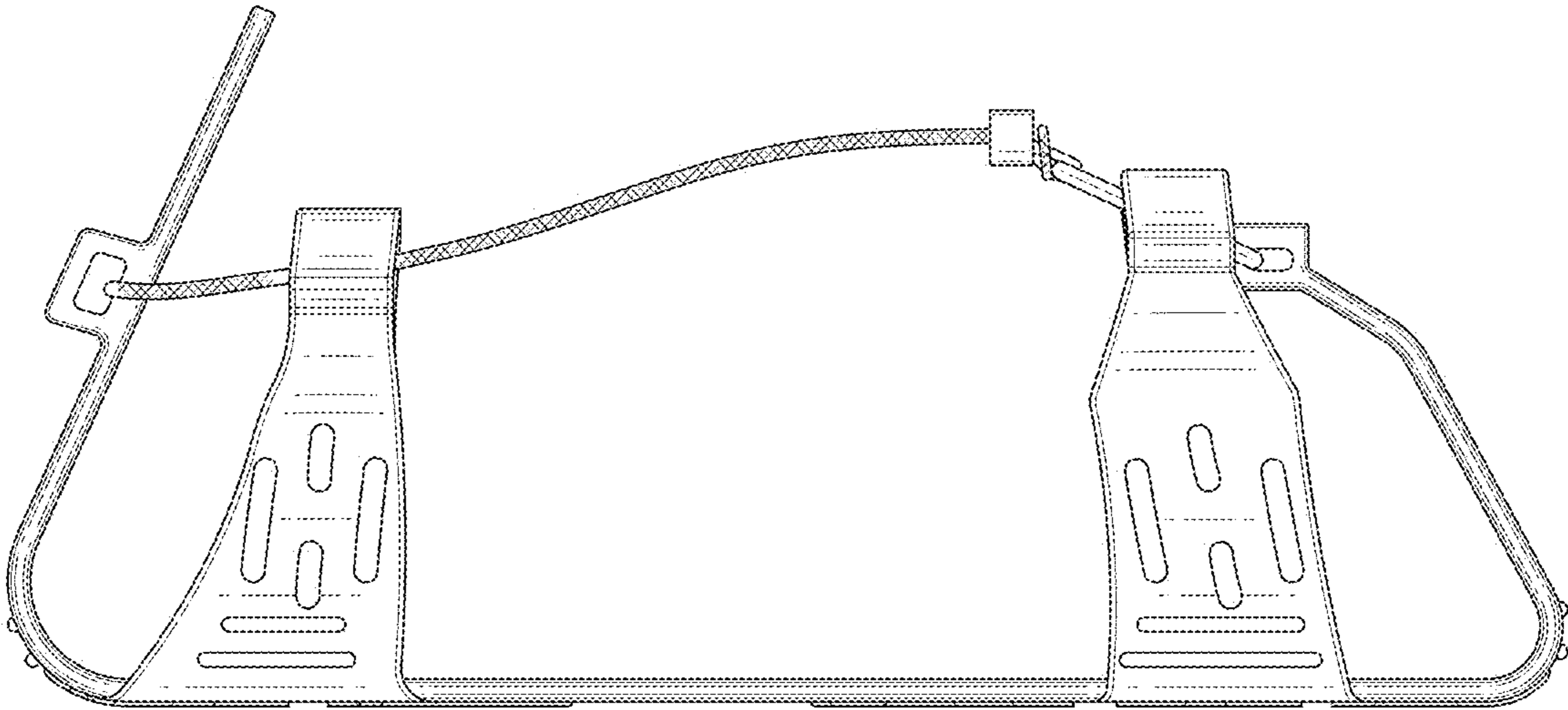


FIG. 5

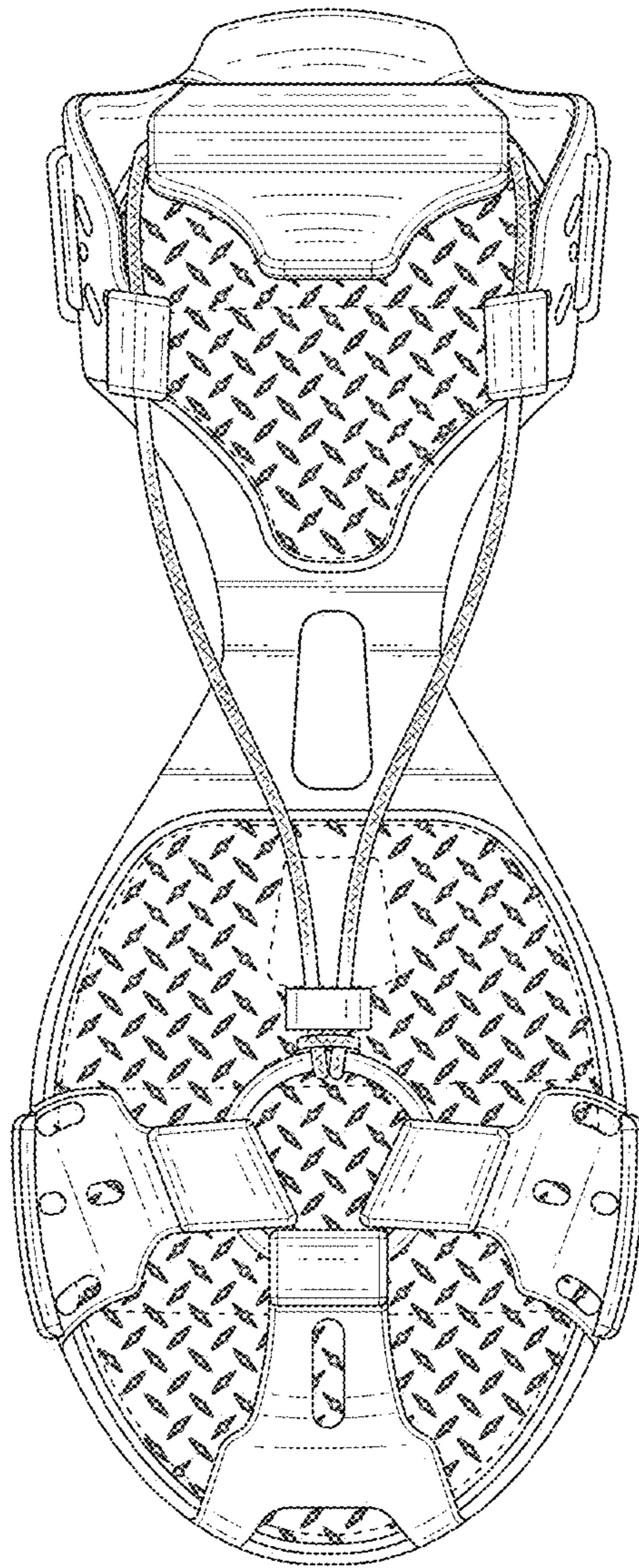


FIG. 6

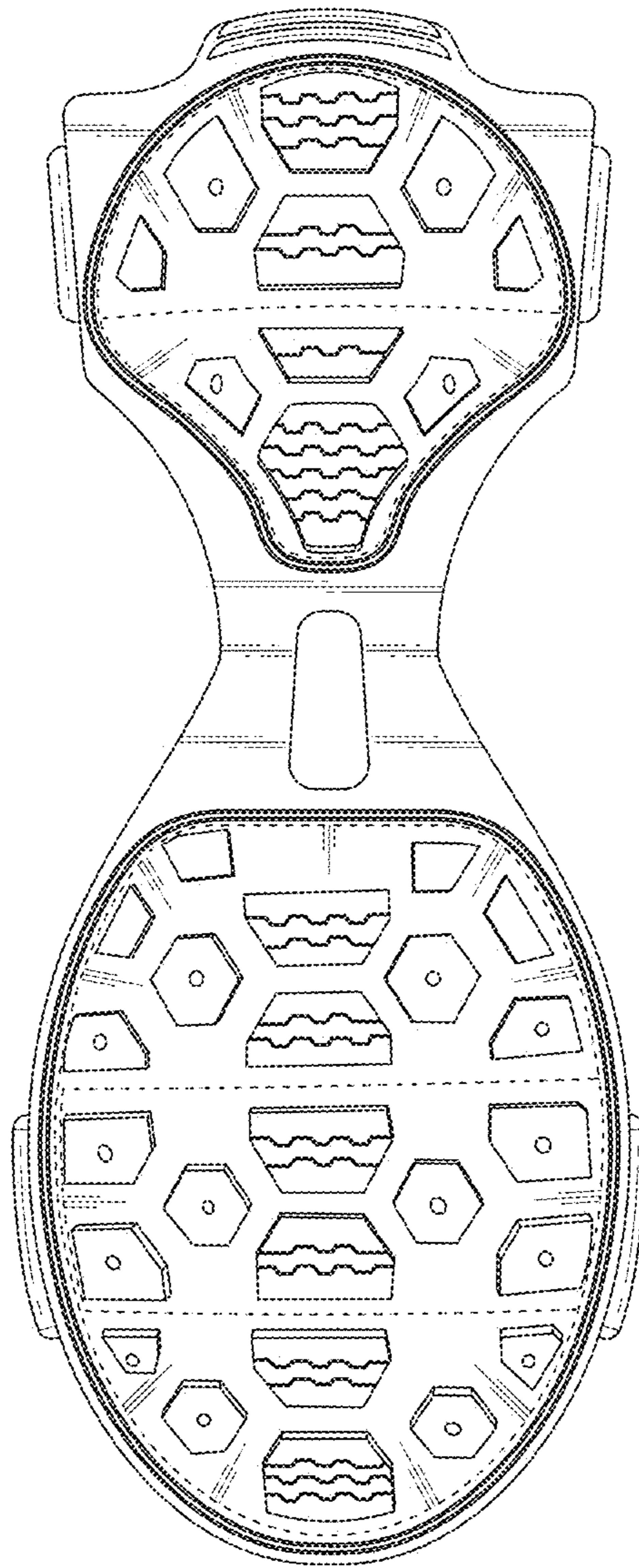


FIG. 7