



US00D971571S

(12) **United States Design Patent**
To'oto'o

(10) **Patent No.:** **US D971,571 S**

(45) **Date of Patent:** **** Dec. 6, 2022**

(54) **SOLE STRUCTURE**

(71) Applicant: **Under Armour, Inc.**, Baltimore, MD (US)

(72) Inventor: **Gabriel To'oto'o**, Baltimore, MD (US)

(73) Assignee: **Under Armour, Inc.**, Baltimore, MD (US)

(**) Term: **15 Years**

(21) Appl. No.: **29/730,898**

(22) Filed: **Apr. 9, 2020**

(51) **LOC (13) Cl.** **02-04**

(52) **U.S. Cl.**
USPC **D2/959**; D2/947; D2/951; D2/962

(58) **Field of Classification Search**
USPC D2/902, 906, 908, 916, 918, 925, D2/946-962, 977; 36/3 B, 22 R, 24.5, 36/25 R, 28, 32 R, 34 R, 59 C, 67 A, 103
CPC A43B 13/00; A43B 13/02; A43B 13/023; A43B 13/026; A43B 13/04; A43B 13/08; A43B 13/10; A43B 13/12; A43B 13/14; A43B 13/141; A43B 13/143; A43B 13/16; A43B 13/18; A43B 13/181; A43B 13/187; A43B 13/189; A43B 13/20; A43B 13/22; A43B 13/223; A43B 13/24; A43B 13/28; A43B 13/30; A43B 13/32; A43B 13/34; A43B 13/36; A43B 5/185
See application file for complete search history.

(56) **References Cited**

U.S. PATENT DOCUMENTS

3,229,389	A *	1/1966	Adams	A43C 15/063
					D2/962
D272,772	S *	2/1984	Kohno	D2/962
4,590,693	A *	5/1986	Kawashima	A43C 15/162
					36/134
D291,743	S *	9/1987	Inohara	D2/957

D295,231	S *	4/1988	Heyes	D2/962
D313,112	S *	12/1990	Eisenbach	D2/962
5,058,292	A	10/1991	Tanel		
D387,892	S *	12/1997	Briant	D2/962
D389,298	S *	1/1998	Briant	D2/962
D397,850	S *	9/1998	Harada	D2/959
5,873,184	A	2/1999	Ihlenburg		
D408,619	S *	4/1999	Worthington	D2/962
6,860,038	B1 *	3/2005	Stucke	A43B 5/185
					36/135
D504,760	S *	5/2005	McClaskie	A43B 13/122
					D2/960

(Continued)

Primary Examiner — T Chase Nelson

(74) *Attorney, Agent, or Firm* — Edell, Shapiro & Finnan, LLC

(57) **CLAIM**

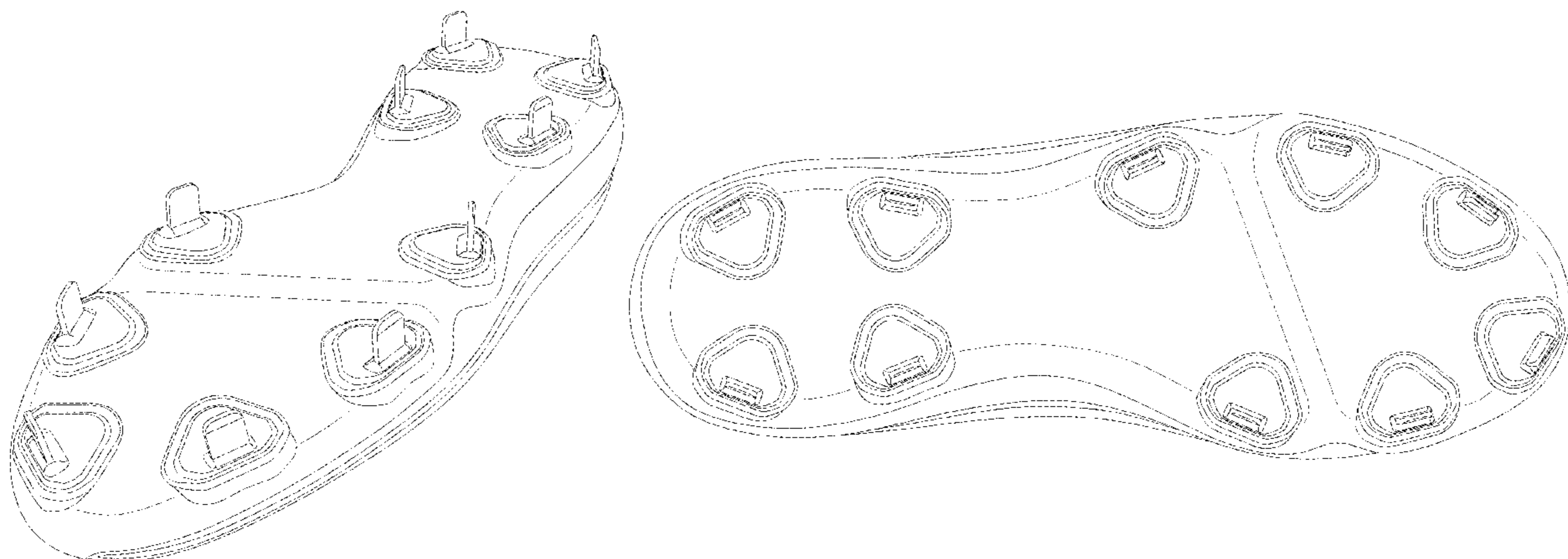
The ornamental design for a sole structure, as shown and described.

DESCRIPTION

FIG. 1 is a lateral side and bottom view in perspective of a sole structure showing my new design;
FIG. 2 is a medial side and bottom view thereof;
FIG. 3 is a lateral side view thereof;
FIG. 4 is a medial side view thereof;
FIG. 5 is a top view thereof;
FIG. 6 is a bottom view thereof;
FIG. 7 is a front view thereof; and,
FIG. 8 is a rear view thereof.

The illustrated sole structure is a first embodiment showing a right-footed form of the sole structure. A second embodiment for a left-footed form of the sole structure, which is a mirror image of the right-footed form, is not illustrated. The broken line illustration in FIG. 5 is not part of the claimed design. In FIG. 5, the inner broken-line perimeter and surface it encircles show portions of the sole structure that form no part of the claimed design.

1 Claim, 7 Drawing Sheets



(56)

References Cited

U.S. PATENT DOCUMENTS

D525,416 S * 7/2006 Auger D2/962
 D617,542 S * 6/2010 Stauffer D2/962
 D651,386 S * 1/2012 Wilken D2/962
 D667,204 S * 9/2012 Campbell D2/947
 D667,205 S * 9/2012 Campbell D2/962
 D702,430 S * 4/2014 Nascimento D2/951
 D710,583 S * 8/2014 Lee D2/962
 D715,526 S * 10/2014 Ballman D2/962
 D717,034 S * 11/2014 Bramani D2/951
 D717,035 S * 11/2014 Minami D2/962
 D719,336 S * 12/2014 Berend D2/962
 8,984,774 B2 * 3/2015 Minami A43B 13/223
 36/59 C
 D780,421 S * 3/2017 Williams, Jr. D2/954
 D793,055 S * 8/2017 Woodman D2/962
 D798,562 S * 10/2017 de Montgolfier D2/951
 D811,710 S * 3/2018 Sisson D2/962
 9,955,752 B2 5/2018 Ito et al.
 D840,651 S * 2/2019 Lee D2/951
 D840,654 S * 2/2019 Whiteman D2/962
 D851,884 S * 6/2019 Link D2/951
 D853,101 S * 7/2019 de Montgolfier D2/962
 D864,542 S * 10/2019 Fallon D2/962
 D879,436 S * 3/2020 Martin D2/951
 D887,115 S * 6/2020 Petrenka D2/951
 D897,085 S * 9/2020 Fallon D2/962
 D901,142 S * 11/2020 Streck D2/962
 11,084,239 B2 * 8/2021 Dyer B29C 45/14
 11,089,838 B2 * 8/2021 Cavaliere A43B 13/14
 11,097,501 B2 * 8/2021 Jones B33Y 10/00
 11,103,026 B2 * 8/2021 Baghdadi C08L 75/04
 11,161,284 B2 * 11/2021 Holmes A43B 13/223
 11,166,526 B2 * 11/2021 Baucom A43B 5/02
 D940,444 S * 1/2022 Wilkinson A43B 7/20
 D2/962
 11,213,091 B2 * 1/2022 Constantinou A43C 15/168
 11,241,066 B2 * 2/2022 Auger A43B 5/02

2006/0137227 A1 * 6/2006 Kita A43B 13/181
 36/102
 2007/0006490 A1 * 1/2007 Kay A43B 7/144
 36/135
 2008/0098624 A1 * 5/2008 Goldman A43C 15/16
 36/126
 2011/0308108 A1 * 12/2011 Berns A43B 7/20
 36/50.1
 2011/0308110 A1 * 12/2011 Berns A43B 5/02
 36/89
 2012/0066933 A1 * 3/2012 Meythaler A43B 13/141
 36/134
 2012/0279091 A1 11/2012 Baucom et al.
 2013/0333248 A1 * 12/2013 Auger A43C 15/16
 36/134
 2014/0345164 A1 * 11/2014 Campbell A43C 15/161
 36/103
 2014/0345166 A1 * 11/2014 Koch A43C 15/162
 36/134
 2015/0040438 A1 2/2015 Baucom et al.
 2016/0278484 A1 * 9/2016 Aslani A43B 13/122
 2016/0286905 A1 * 10/2016 Schiller A43B 3/166
 2017/0303627 A1 * 10/2017 Weidl A43B 3/244
 2018/0125169 A1 5/2018 Hirai
 2018/0295943 A1 * 10/2018 Fallon A43B 7/18
 2021/0037910 A1 * 2/2021 Nachmani A43B 5/185
 2021/0259367 A1 * 8/2021 Ekstrom A43C 15/162
 2021/0274878 A1 * 9/2021 Adair A43B 7/14
 2021/0282497 A1 * 9/2021 Lyden A43B 1/0081
 2021/0337919 A1 * 11/2021 Hartley A43B 5/185
 2021/0345726 A1 * 11/2021 To'oto'o A43B 5/185
 2021/0352999 A1 * 11/2021 Bell A43B 23/0255
 2021/0354413 A1 * 11/2021 Jones B29C 70/78
 2021/0401123 A1 * 12/2021 Weidl A43B 13/184
 2022/0015505 A1 * 1/2022 Constantinou A43B 13/122
 2022/0031020 A1 * 2/2022 Sudo A43B 13/223
 2022/0071338 A1 * 3/2022 Lyden A43B 13/20
 2022/0079296 A1 * 3/2022 Chua A43C 15/161

* cited by examiner

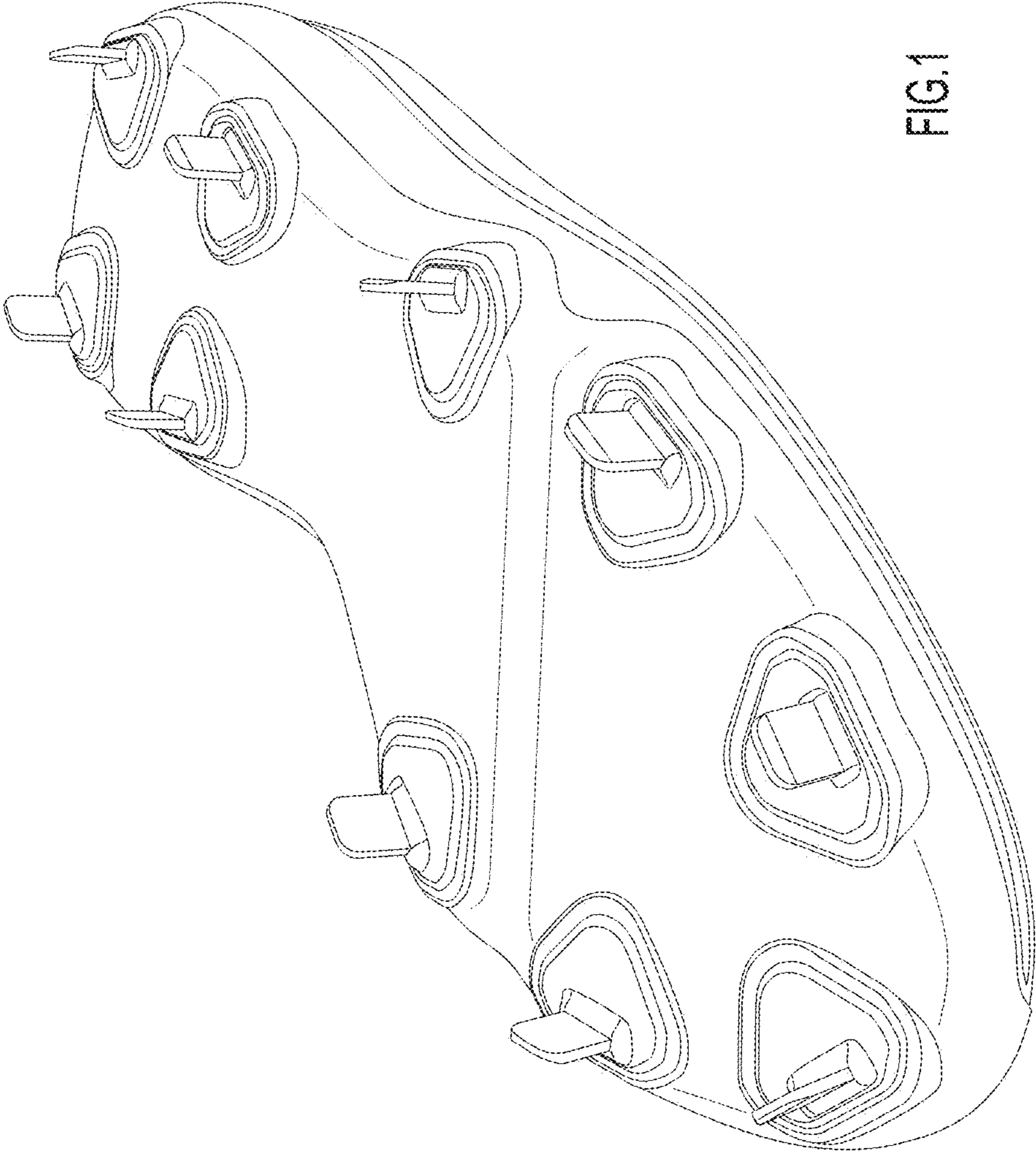


FIG. 1

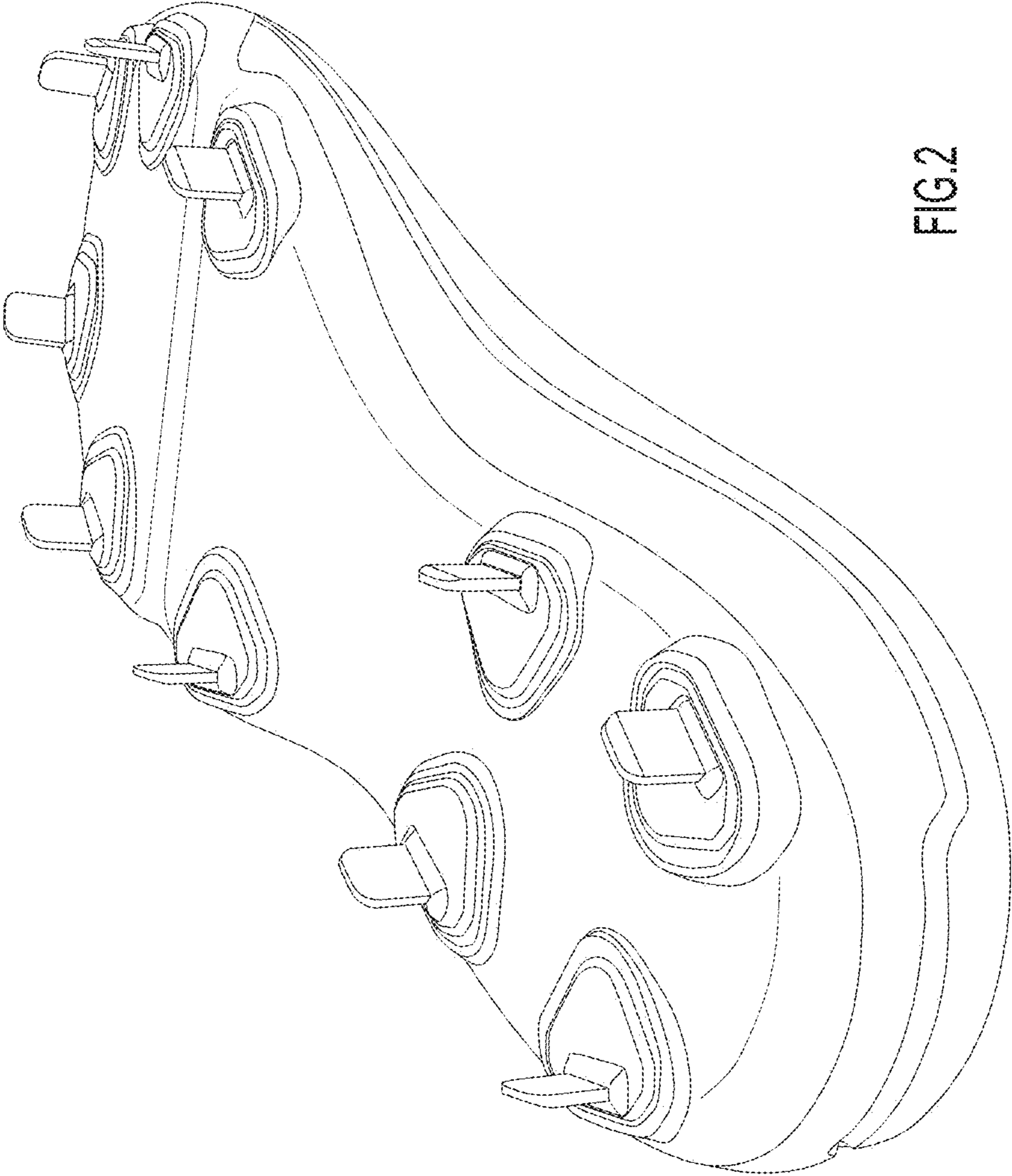


FIG. 2

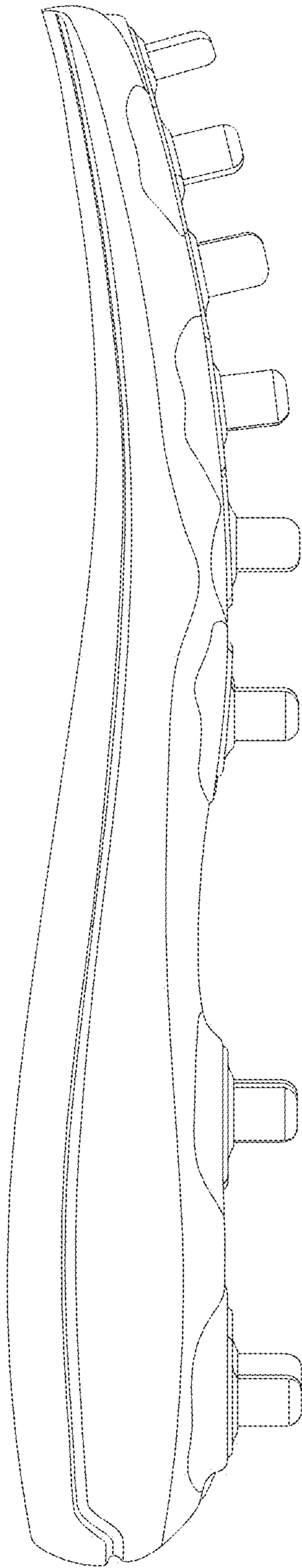


FIG.3

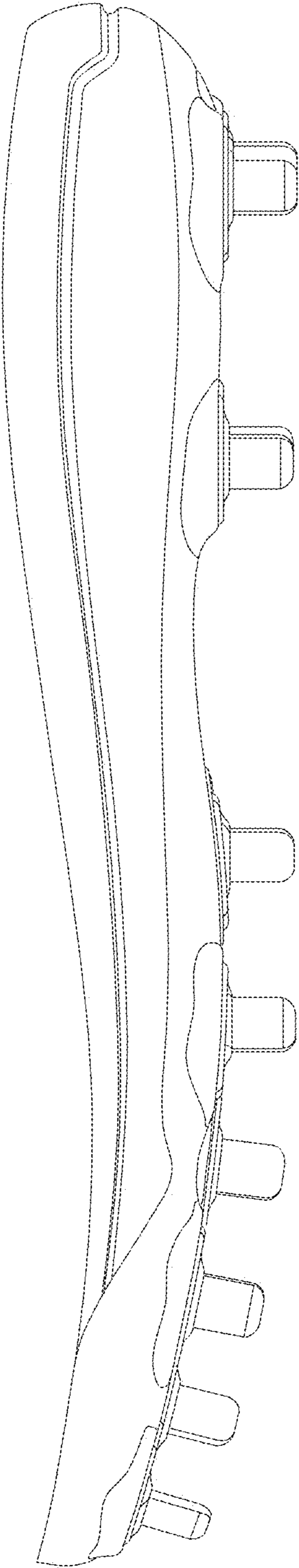


FIG.4

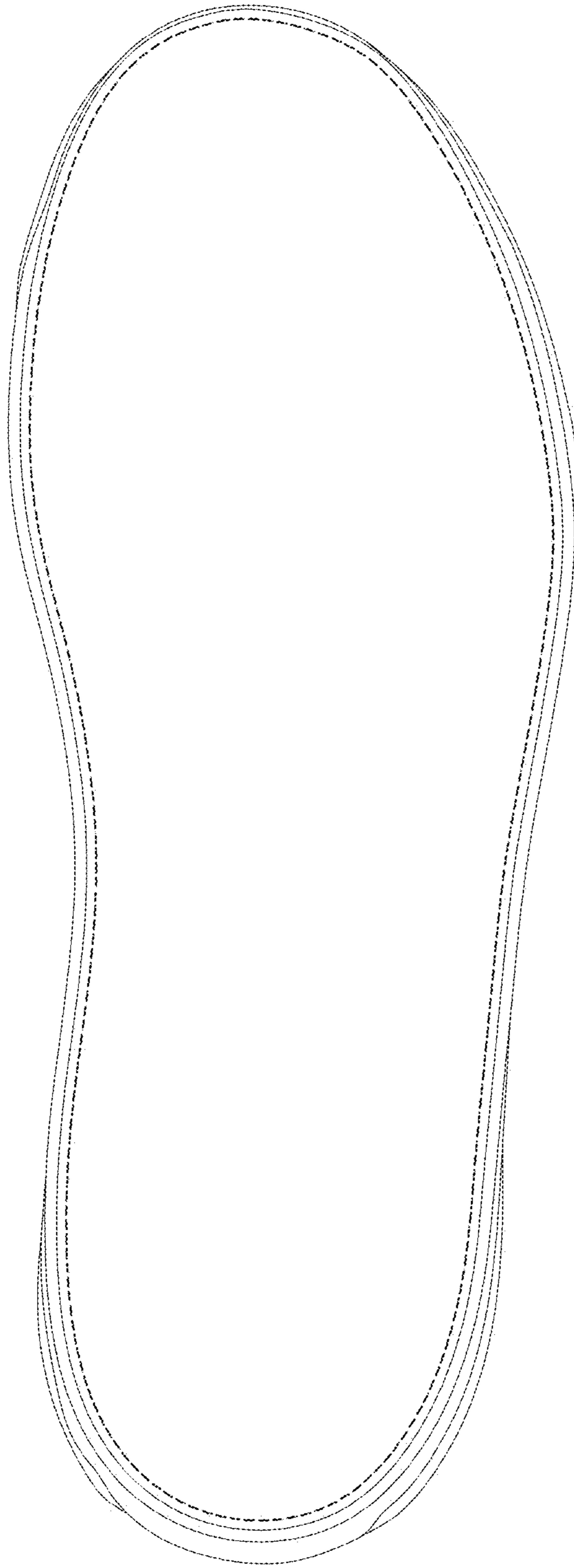


FIG.5

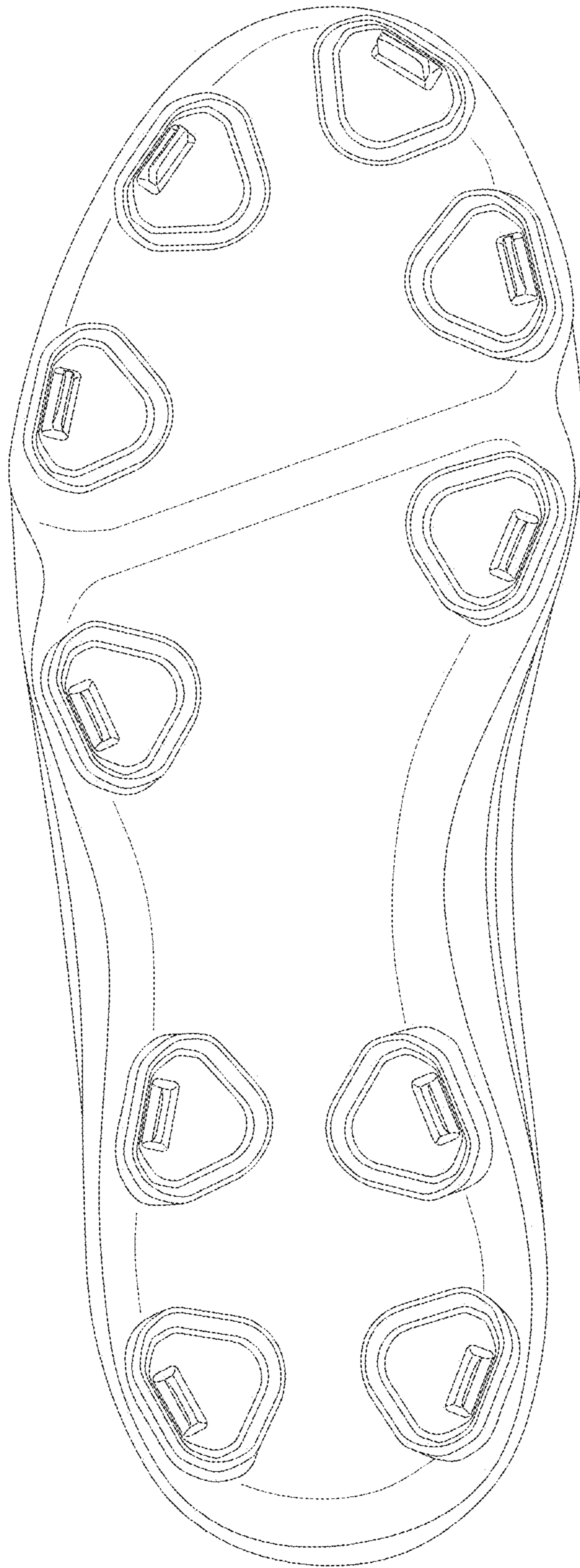


FIG. 6

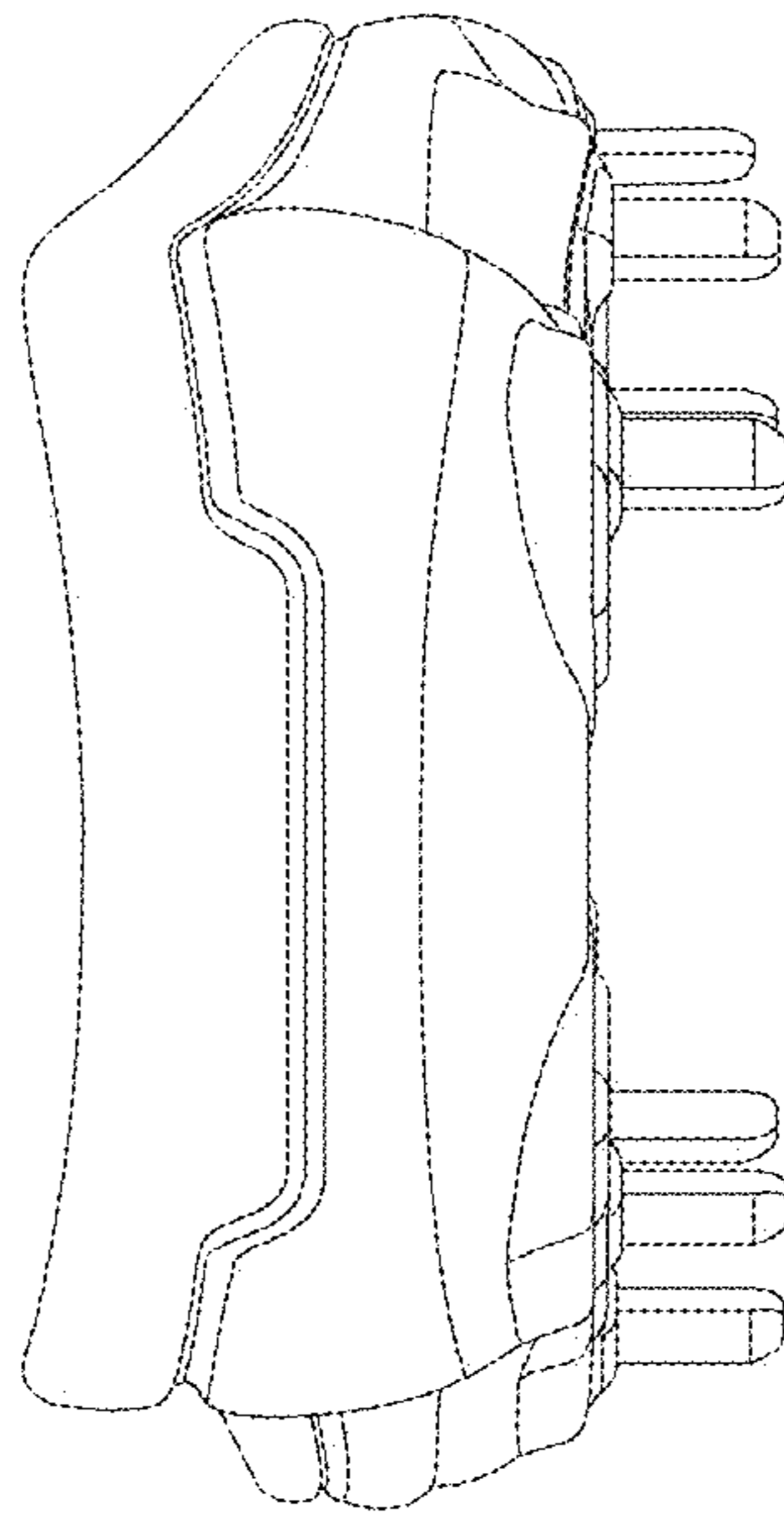


FIG.8

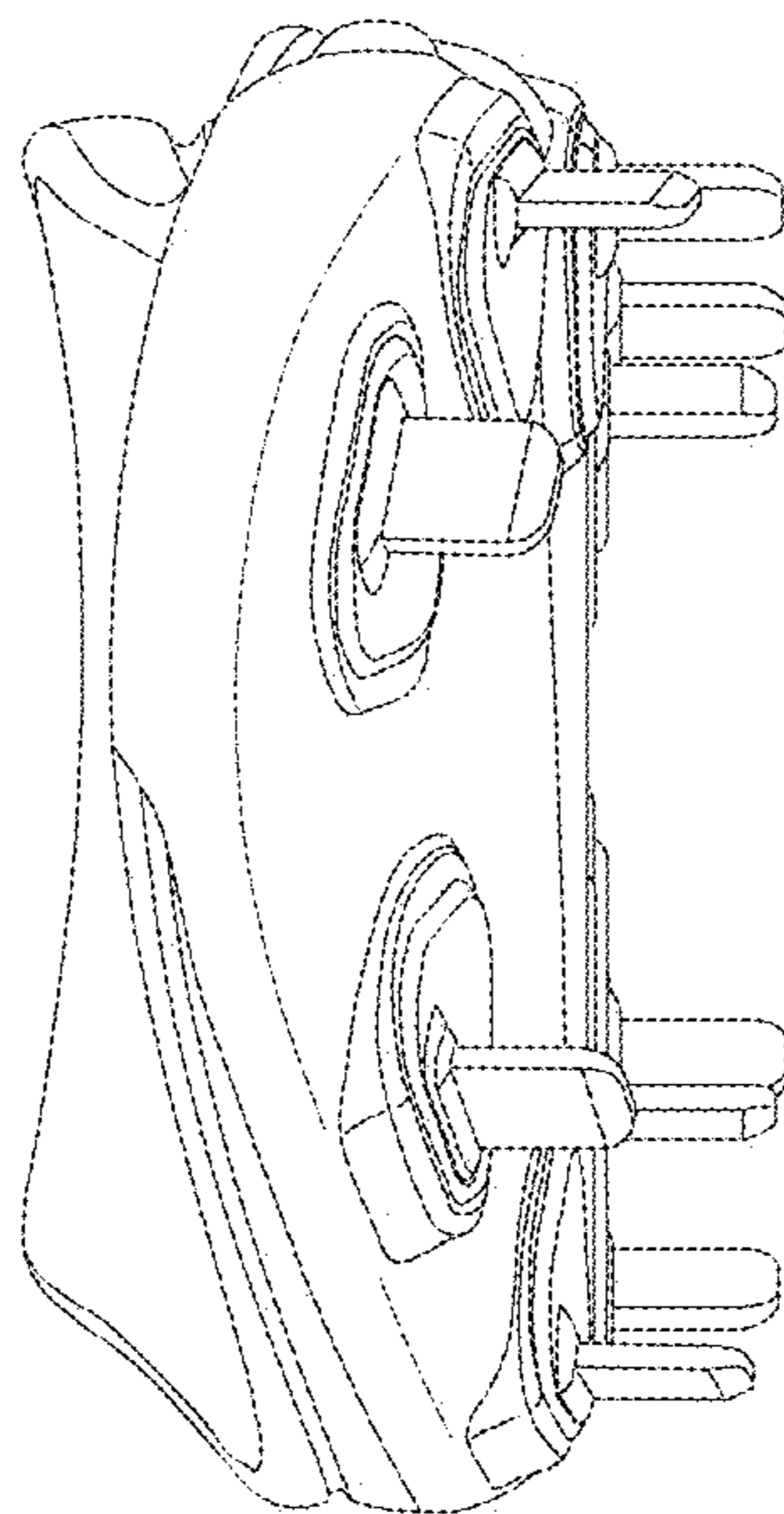


FIG.7