



US00D971565S

(12) **United States Design Patent**  
**Zhao**

(10) **Patent No.:** **US D971,565 S**

(45) **Date of Patent:** **\*\* Dec. 6, 2022**

- (54) **FOOT WARMER**
- (71) Applicant: **Yaxia Zhao**, Guangdong (CN)
- (72) Inventor: **Yaxia Zhao**, Guangdong (CN)
- (\*\*) Term: **15 Years**
- (21) Appl. No.: **29/822,438**
- (22) Filed: **Jan. 10, 2022**
- (51) **LOC (13) Cl.** ..... **02-04**
- (52) **U.S. Cl.**  
USPC ..... **D2/919**; D2/921
- (58) **Field of Classification Search**  
USPC ..... D2/896, 910, 919, 970, 921, 946, 900;  
D24/192  
CPC ..... A43B 3/101; A43B 3/102; A61F 7/0085;  
A41D 15/04; A45C 9/00  
See application file for complete search history.

- 1,808,233 A \* 6/1931 Kamrath ..... A61F 7/0085  
2/69
- D244,641 S 6/1977 Rajaniemi
- D268,298 S \* 3/1983 Goguen ..... A61F 7/0085  
D2/912
- 5,561,859 A \* 10/1996 Fischer ..... A45C 9/00  
2/69.5
- D427,419 S \* 7/2000 Tenold ..... A61F 7/0085  
D2/910
- D732,280 S \* 6/2015 Hershberger ..... D2/919
- D922,738 S \* 6/2021 McColm ..... D2/921

\* cited by examiner

*Primary Examiner* — Rashida C. Walshon

(74) *Attorney, Agent, or Firm* — Che-Yang Chen; Law Office of Michael Chen

(57) **CLAIM**

The ornamental design for a foot warmer, as shown and described.

**DESCRIPTION**

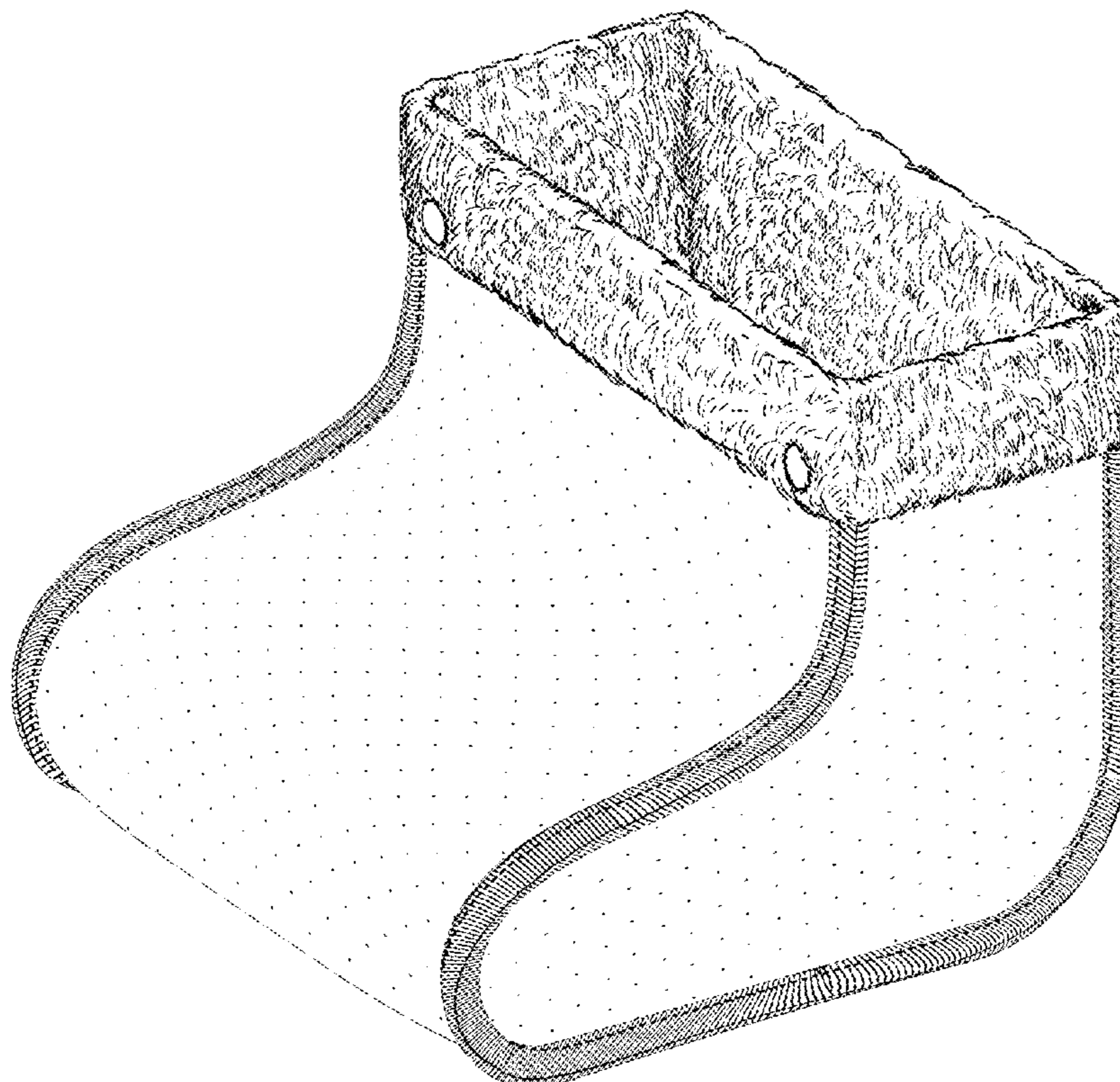
FIG. 1 is a perspective view of the foot warmer showing my new design;  
 FIG. 2 is a perspective view thereof from another angle;  
 FIG. 3 is a front elevational view thereof;  
 FIG. 4 is a rear elevational view thereof;  
 FIG. 5 is a left side elevational view thereof;  
 FIG. 6 is a right side elevational view thereof;  
 FIG. 7 is a top plan view thereof; and,  
 FIG. 8 is a bottom plan view thereof.

**1 Claim, 8 Drawing Sheets**

(56) **References Cited**

**U.S. PATENT DOCUMENTS**

- 1,608,188 A \* 11/1926 Skoler ..... A61F 7/0085  
36/2.6
- 1,613,321 A \* 1/1927 Giroux ..... A43B 3/101  
36/16
- 1,686,588 A \* 10/1928 Wendemuth ..... A61F 7/0085  
36/2.6
- 1,746,459 A \* 2/1930 Brady ..... A61F 7/0085  
36/7.1 R
- 1,776,983 A \* 9/1930 Rotherham ..... A45C 9/00  
383/30



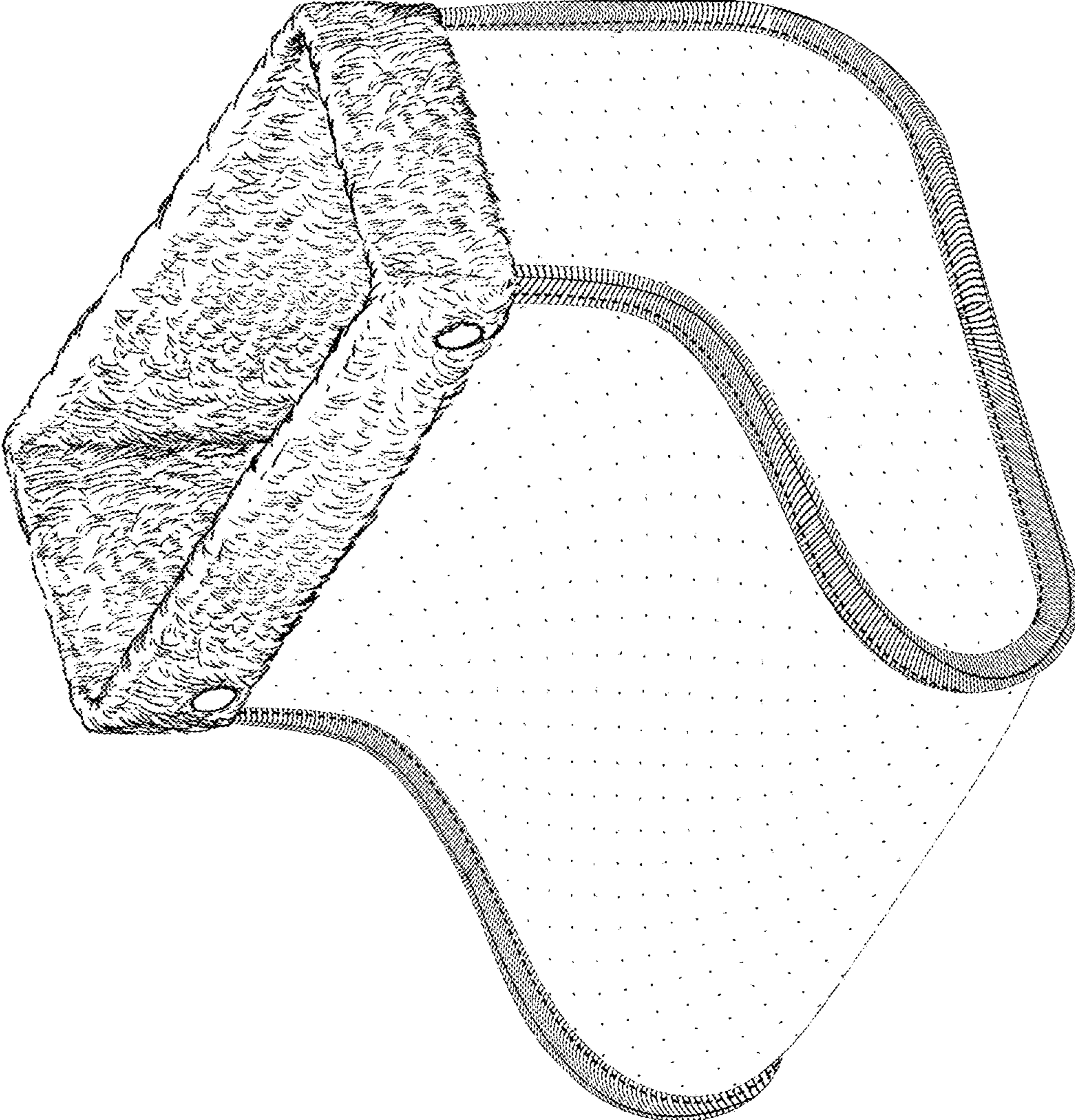


FIG. 1



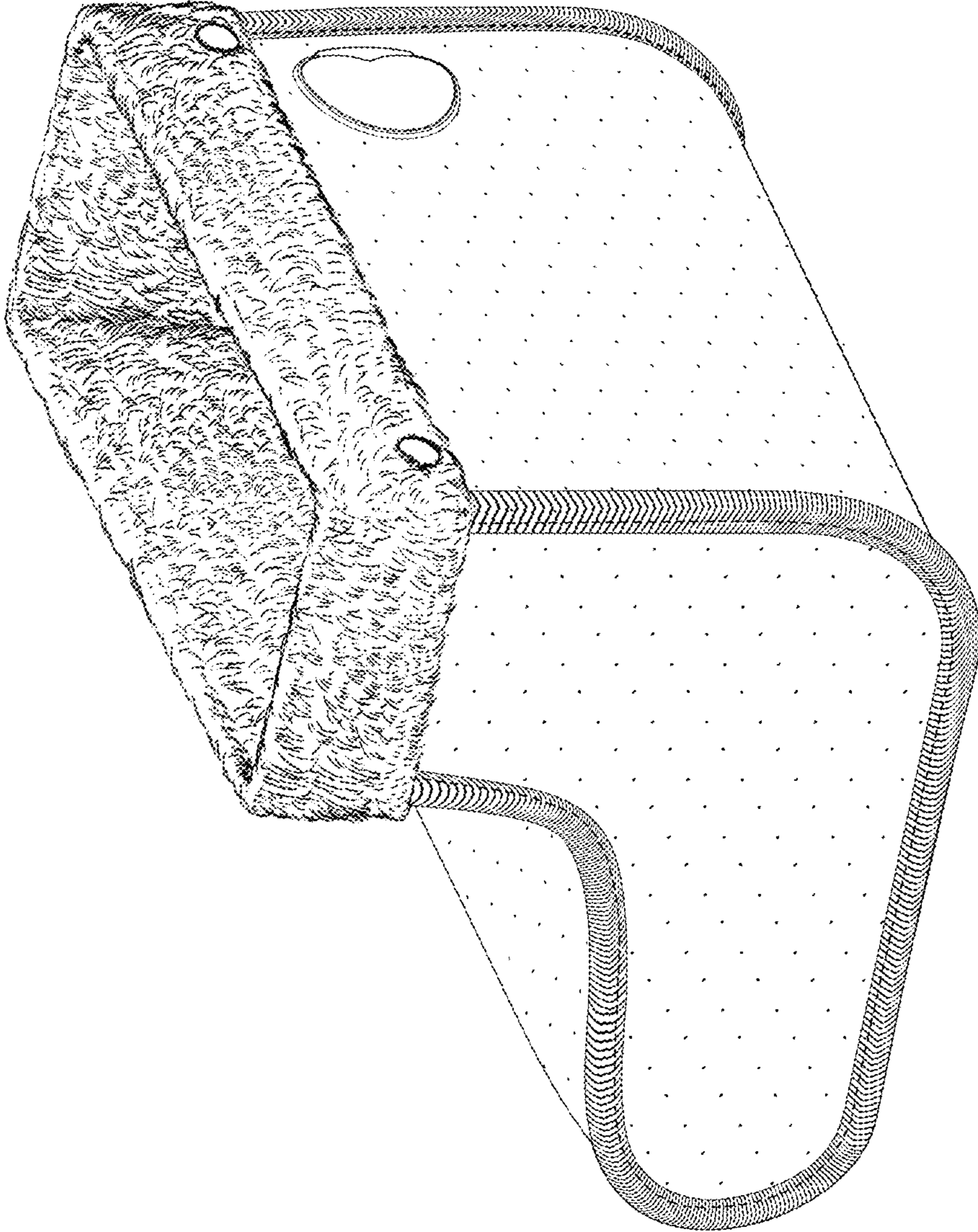


FIG. 2

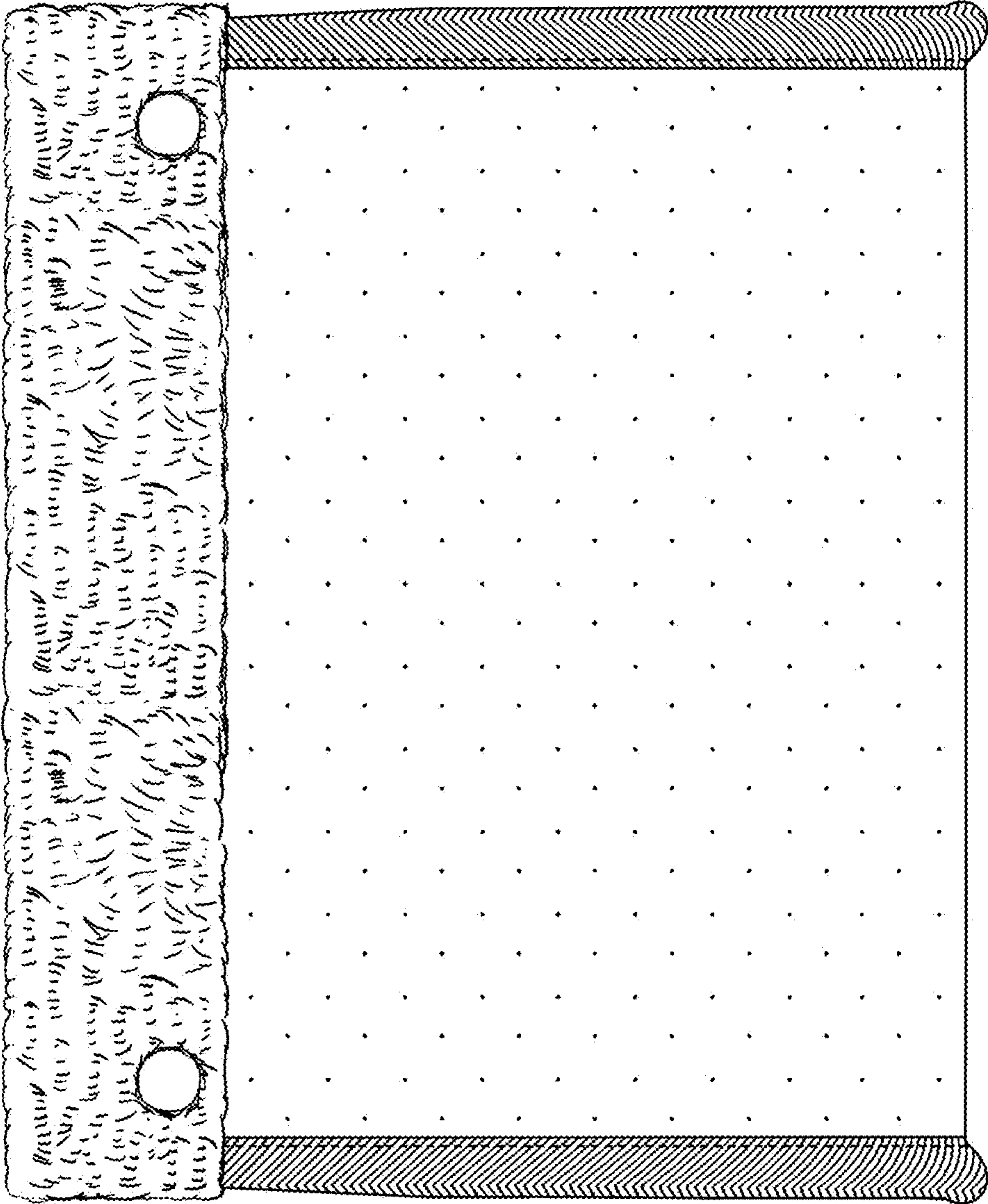


FIG. 3

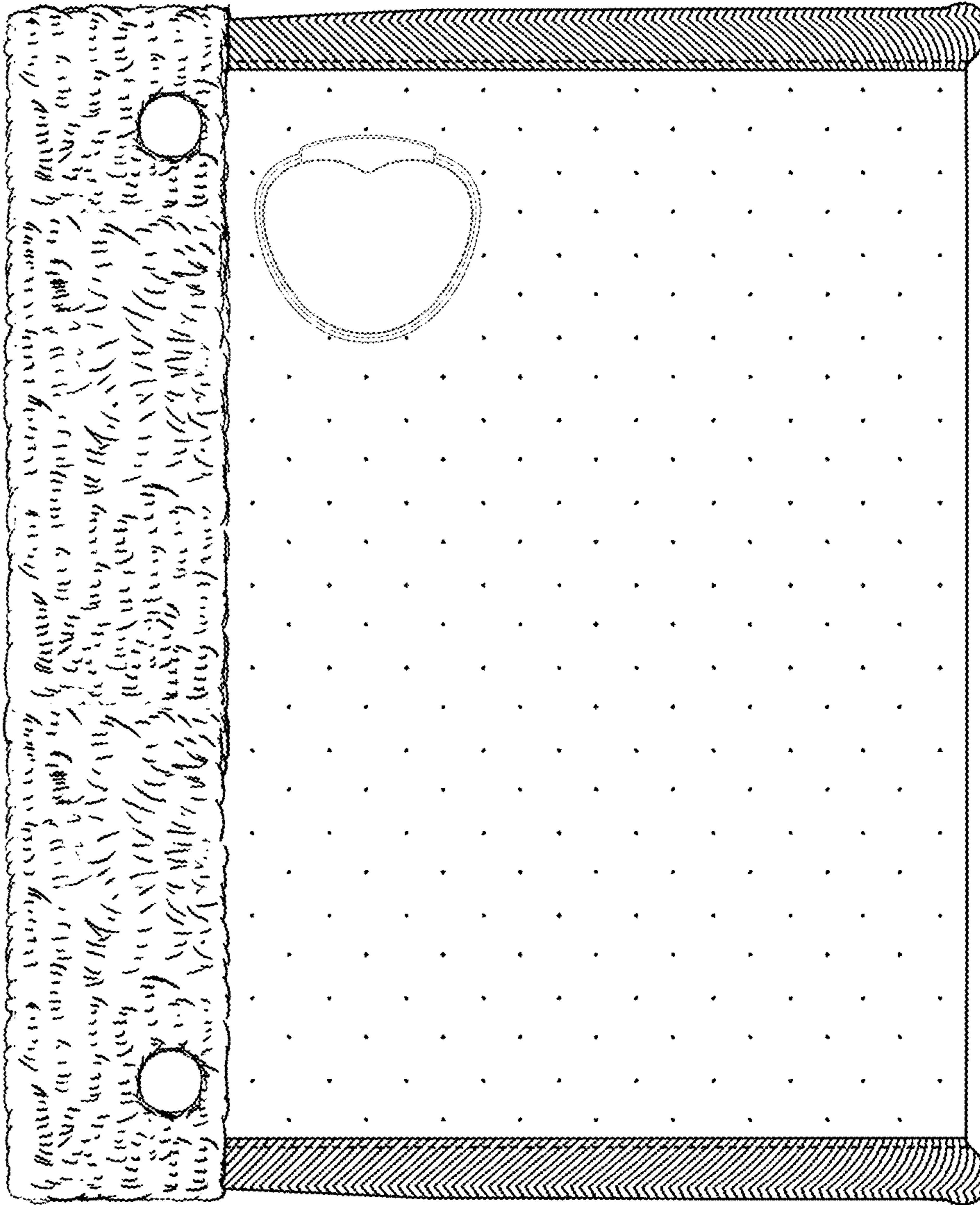


FIG. 4



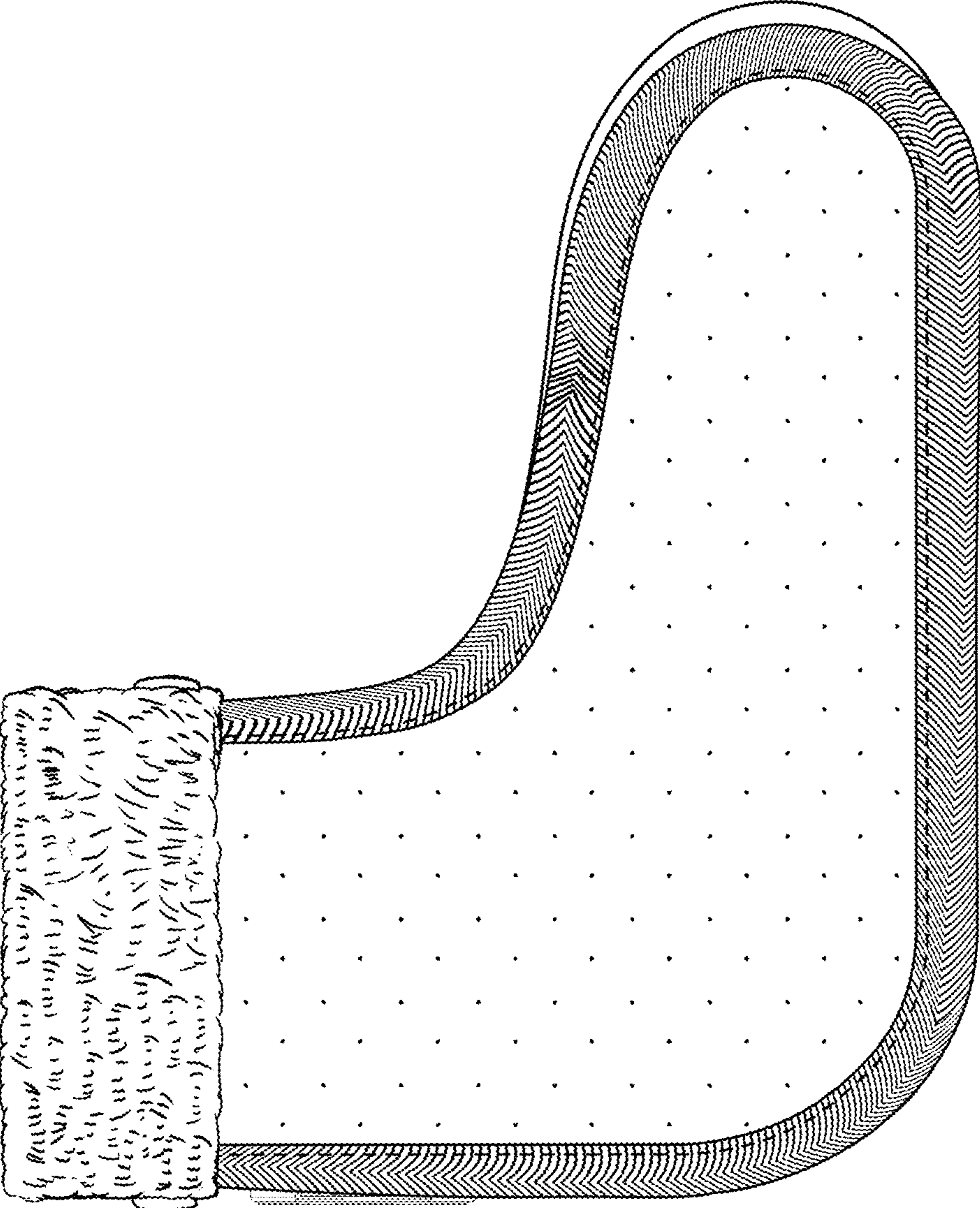


FIG. 5

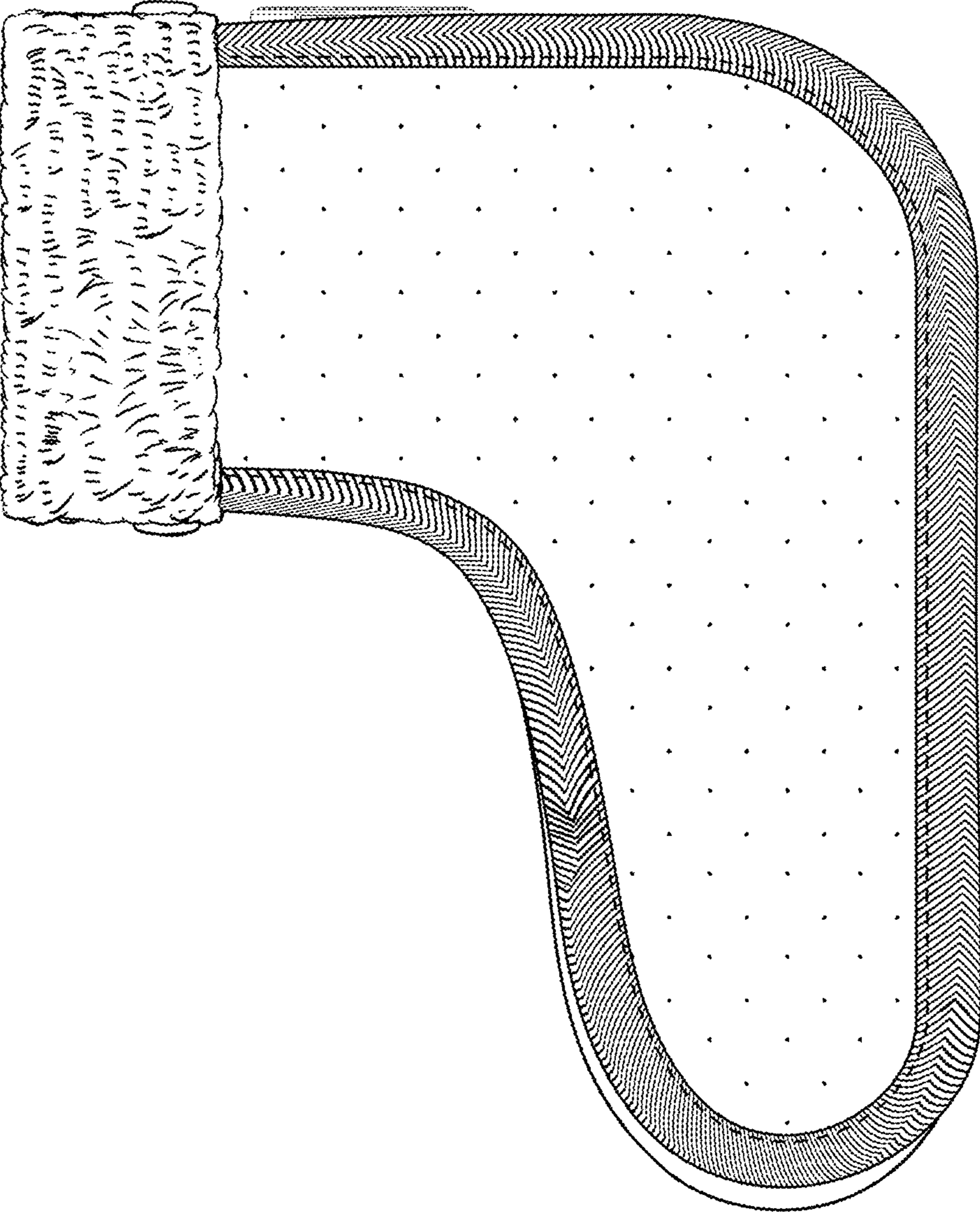


FIG. 6

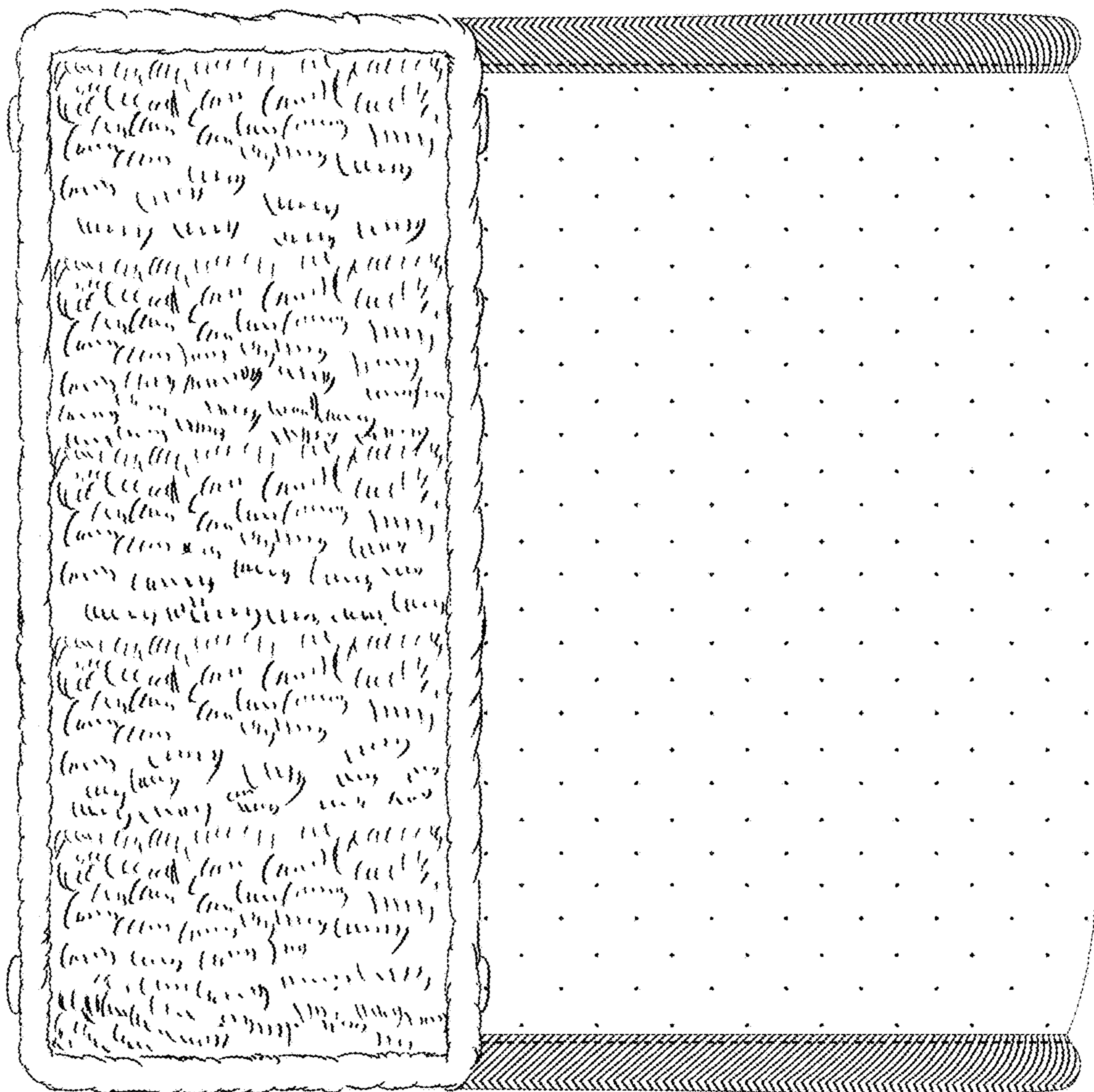


FIG. 7



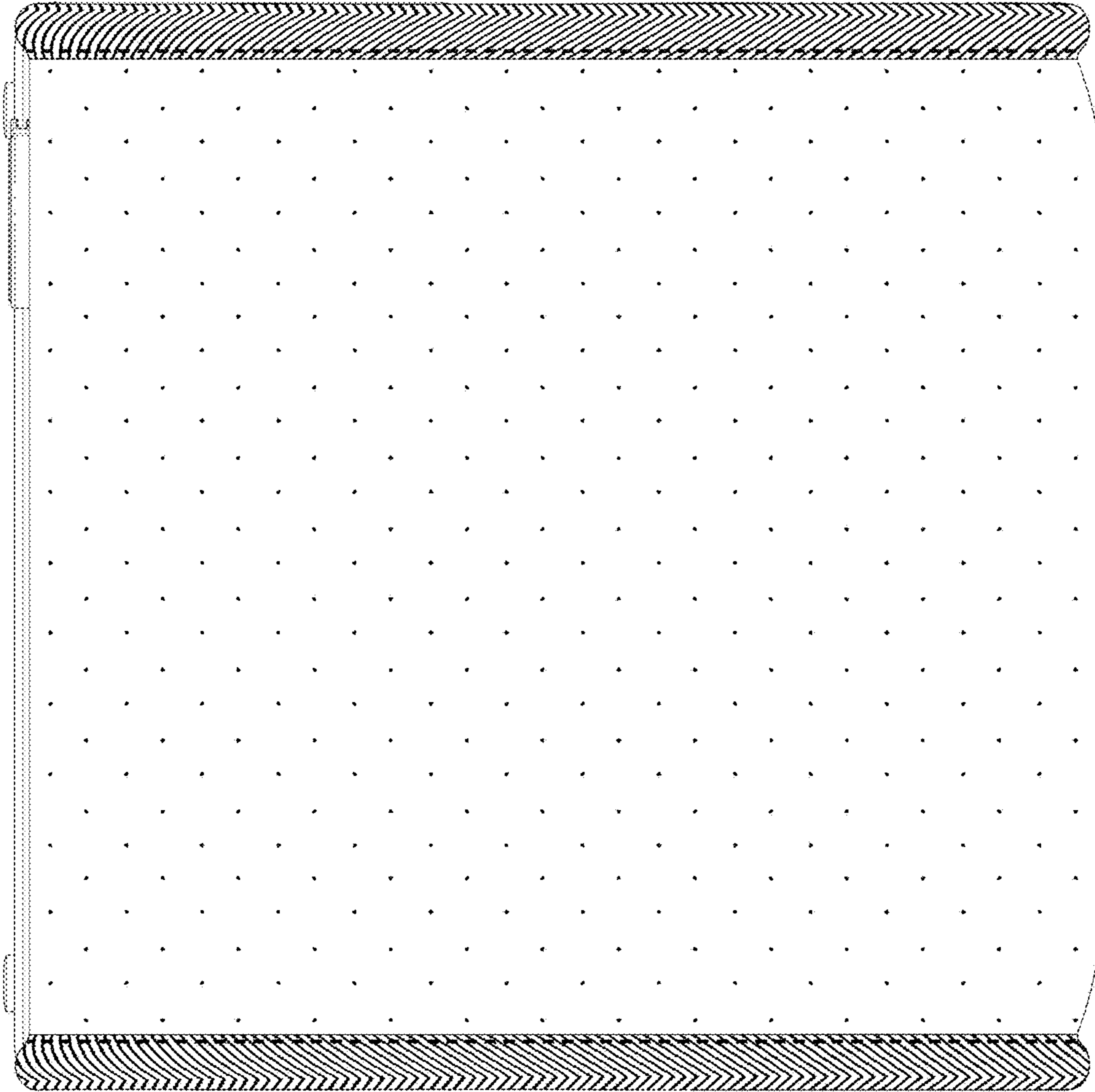


FIG. 8