



US00D971564S

(12) **United States Design Patent**  
**Piccioli**

(10) **Patent No.:** **US D971,564 S**

(45) **Date of Patent:** **\*\* Dec. 6, 2022**

(54) **SHOE**

(71) Applicant: **VALENTINO S.p.A.**, Milan (IT)

(72) Inventor: **Pierpaolo Piccioli**, Milan (IT)

(73) Assignee: **VALENTINO S.p.A.**, Milan (IT)

(\*\*) Term: **15 Years**

(21) Appl. No.: **29/775,836**

(22) Filed: **Mar. 25, 2021**

(30) **Foreign Application Priority Data**

Sep. 25, 2020 (FR) ..... 2020-4321

(51) **LOC (13) Cl.** ..... **02-04**

(52) **U.S. Cl.**

USPC ..... **D2/916**; D2/896

(58) **Field of Classification Search**

USPC ..... D2/896, 909, 913, 914, 916, 917, 919,  
D2/925, 926, 927, 928, 929, 930, 931,  
D2/932, 939, 940, 941, 942, 943, 946,  
D2/965, 969, 971, 974

CPC ..... A43B 1/00; A43B 1/06; A43B 1/0045;  
A43B 3/00; A43B 3/10; A43B 3/101;  
A43B 3/103; A43B 3/105; A43B 3/12;  
A43B 3/122; A43B 3/124; A43B 3/126;  
A43B 3/128; A43B 3/24; A43B 3/242;  
A43B 23/00; A43B 23/021; A43B  
23/0215; A43C 11/1493

See application file for complete search history.

(56) **References Cited**

**U.S. PATENT DOCUMENTS**

2,112,761 A \* 3/1938 Buehner ..... A43B 3/122  
36/11.5  
3,063,166 A \* 11/1962 Blavier ..... A43B 3/105  
36/11.5  
6,092,308 A \* 7/2000 Srourian ..... A43B 13/14  
36/11.5

D557,487 S \* 12/2007 Lawler ..... D2/971  
D604,491 S \* 11/2009 Issler ..... D2/971  
D655,904 S \* 3/2012 Issler ..... D2/971  
D740,000 S \* 10/2015 Sassi ..... D2/929  
D764,777 S \* 8/2016 Sassi ..... D2/930  
D811,703 S \* 3/2018 Sassi ..... D2/939

(Continued)

**FOREIGN PATENT DOCUMENTS**

CN 306772361 \* 8/2021

**OTHER PUBLICATIONS**

DDXYYS Womens Studded Flat Sandals, First available: Mar. 31, 2022 [online], [visited: Jul. 19, 2022] Available from the internet URL: <https://www.amazon.com/Womens-Studded-Sandals-Casual-Strappy/dp/B09WY26DBH/ref> (Year: 2022).\*

(Continued)

*Primary Examiner* — Jonathan J Han

*Assistant Examiner* — Jeff Lenard D Torres

(74) *Attorney, Agent, or Firm* — Thomas | Horstemeyer, LLP

(57) **CLAIM**

The ornamental design for a shoe, as shown and described.

**DESCRIPTION**

FIG. 1 is a perspective view of a shoe, showing my new design;

FIG. 2 is a front view thereof;

FIG. 3 is a rear view thereof;

FIG. 4 is a side view thereof;

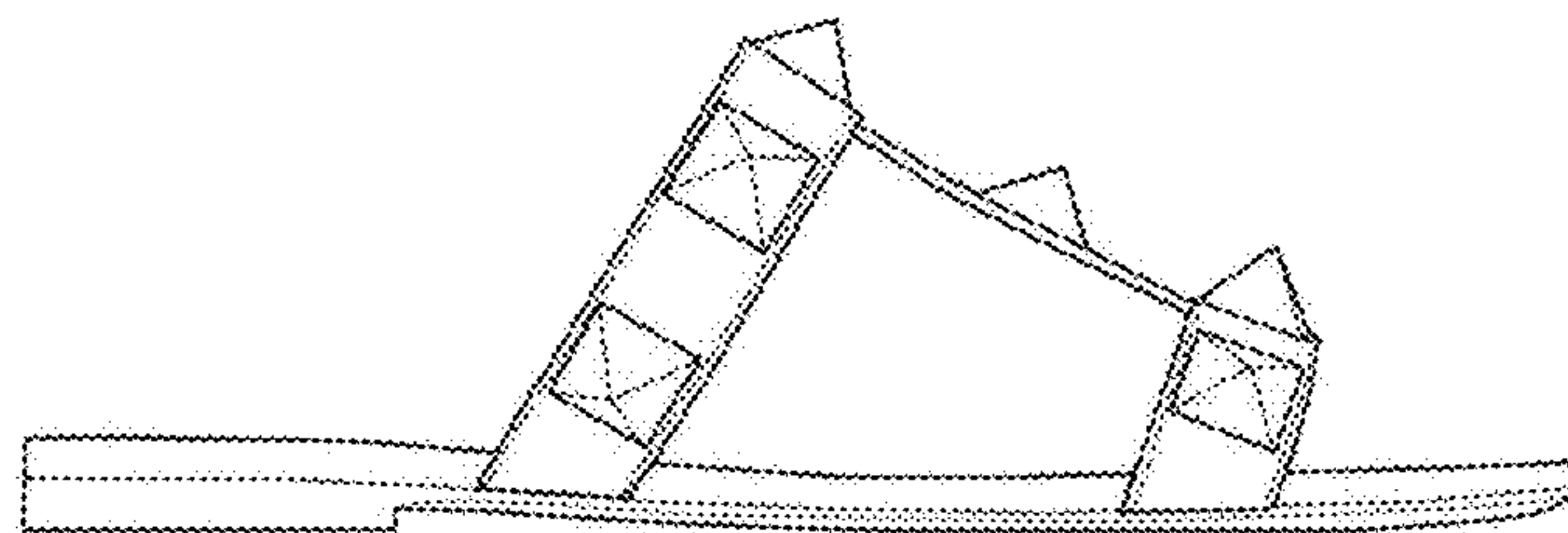
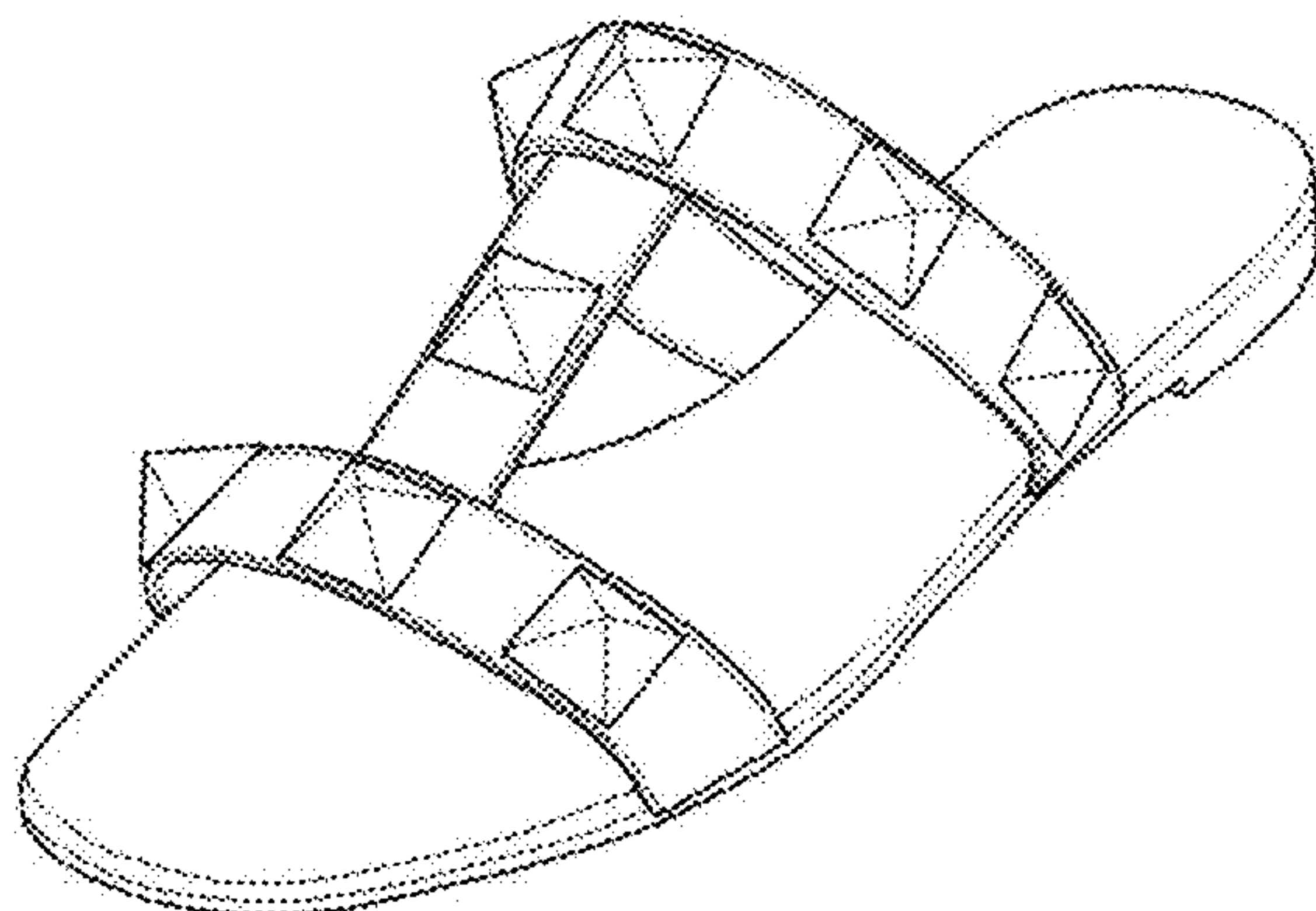
FIG. 5 is a side view thereof, opposite that of FIG. 4;

FIG. 6 is a top view thereof; and,

FIG. 7 is a bottom view thereof.

The dashed lines on the shoe upper represent stitching and form part of the claimed design.

**1 Claim, 7 Drawing Sheets**



(56)

**References Cited**

U.S. PATENT DOCUMENTS

D812,354	S	*	3/2018	Sassi	.....	D2/939
D814,163	S	*	4/2018	Issler	.....	D2/971
D818,249	S	*	5/2018	Sassi	.....	D2/916
D818,250	S	*	5/2018	Sassi	.....	D2/916
D825,154	S	*	8/2018	Sassi	.....	D2/923
D834,794	S	*	12/2018	Sassi	.....	D2/939
D835,892	S	*	12/2018	Sassi	.....	D2/916
D838,942	S	*	1/2019	Sassi	.....	D2/896
D856,639	S	*	8/2019	Sassi	.....	D2/916
D878,718	S	*	3/2020	Post	.....	D2/916
D896,497	S	*	9/2020	Kenison	.....	D2/976
D911,680	S	*	3/2021	Sassi	.....	D2/916
D950,896	S	*	5/2022	Hardy	.....	D2/916
D951,604	S	*	5/2022	Martin	.....	D2/916
2014/0331521	A1	*	11/2014	Katz	.....	A43B 3/242 36/100

OTHER PUBLICATIONS

Valentino Garavani Rockstud Flat Slide Sandals, First available: Jan. 17, 2022 [online], [visited: Jul. 19, 2022] Available from the internet URL: [https://www.youtube.com/watch?v=\\_2M9pr23\\_gg](https://www.youtube.com/watch?v=_2M9pr23_gg) (Year: 2022).\*

Valentino Rockstud slide sandals review, First available: Sep. 23, 2021 [online], [visited: Jul. 19, 2022] Available from the internet URL: <https://www.youtube.com/watch?v=hhsqXSZV69o> (Year: 2021).\*

\* cited by examiner

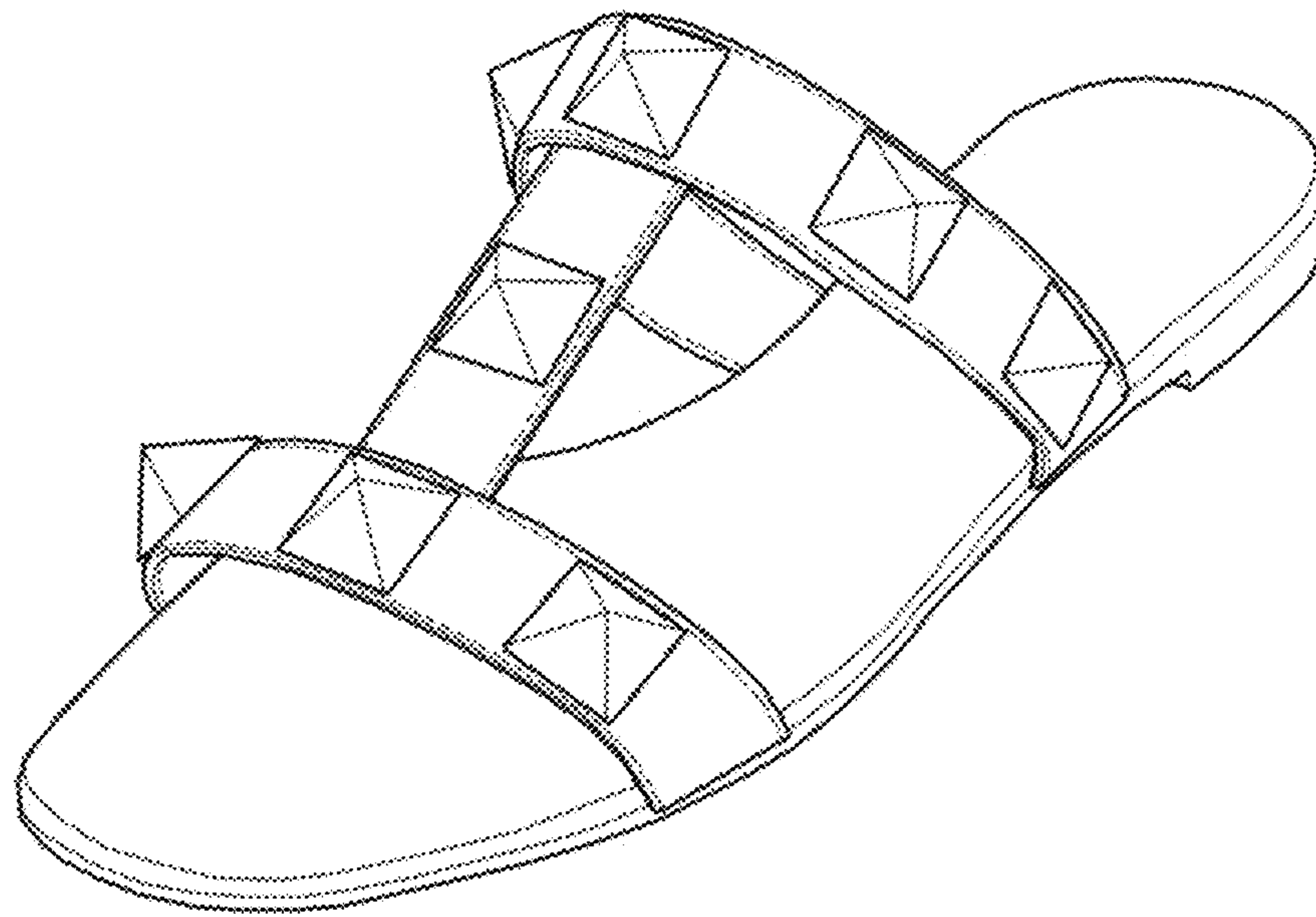


FIG. 1

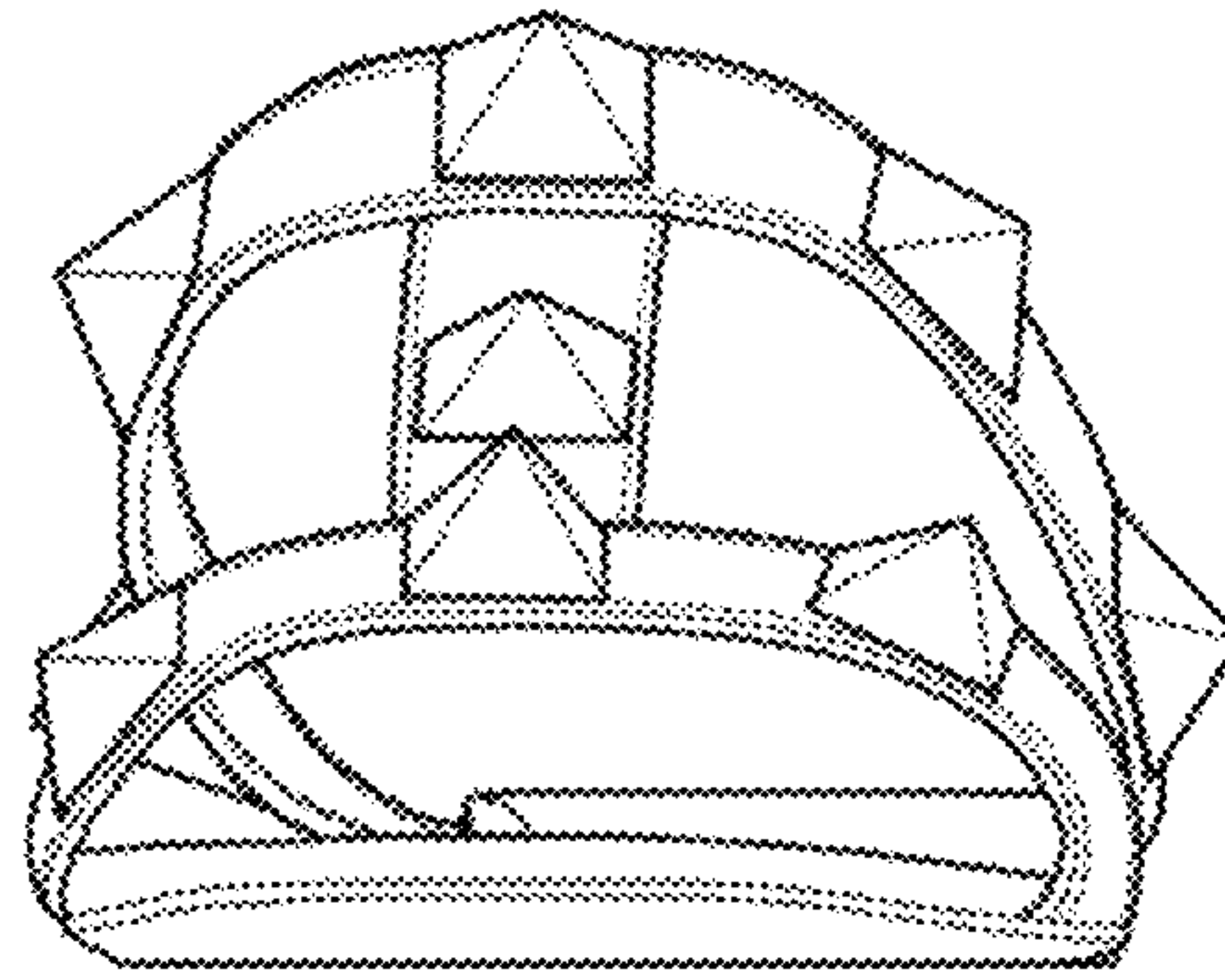


FIG. 2

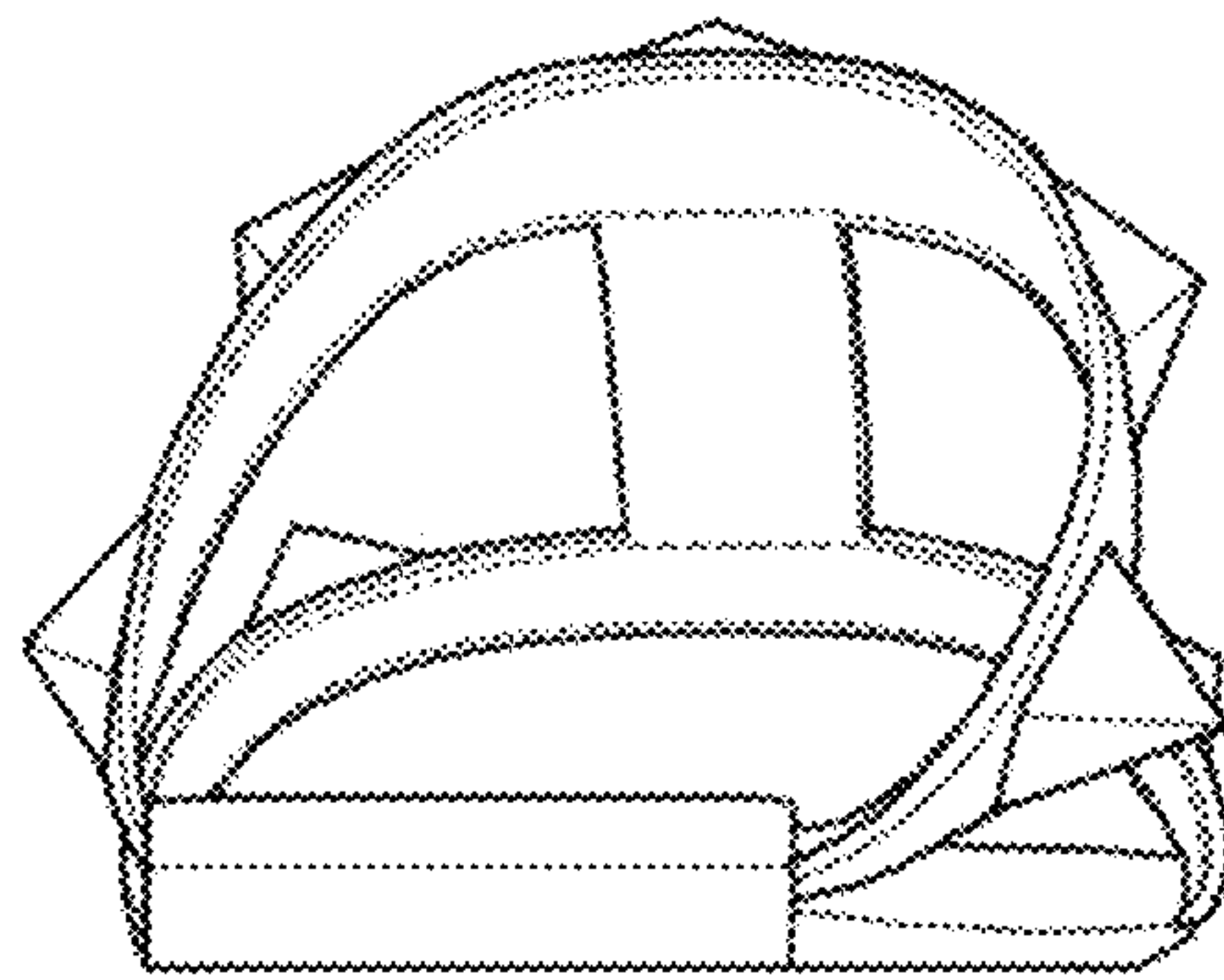


FIG. 3

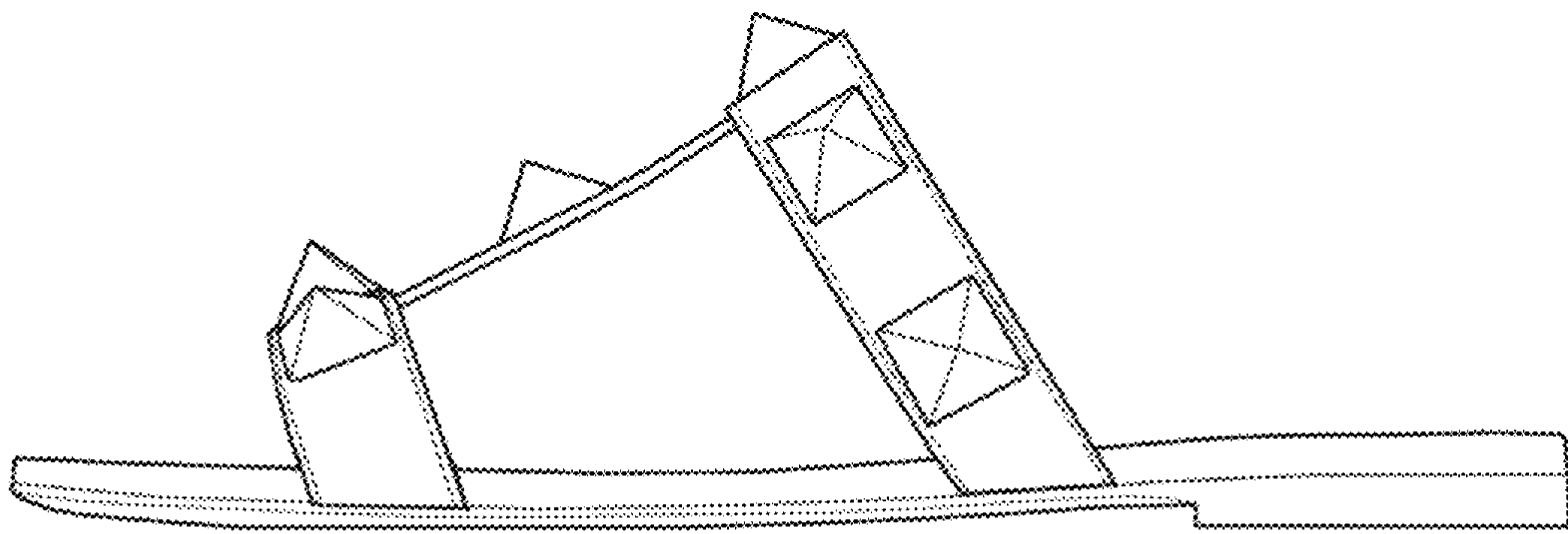


FIG. 4



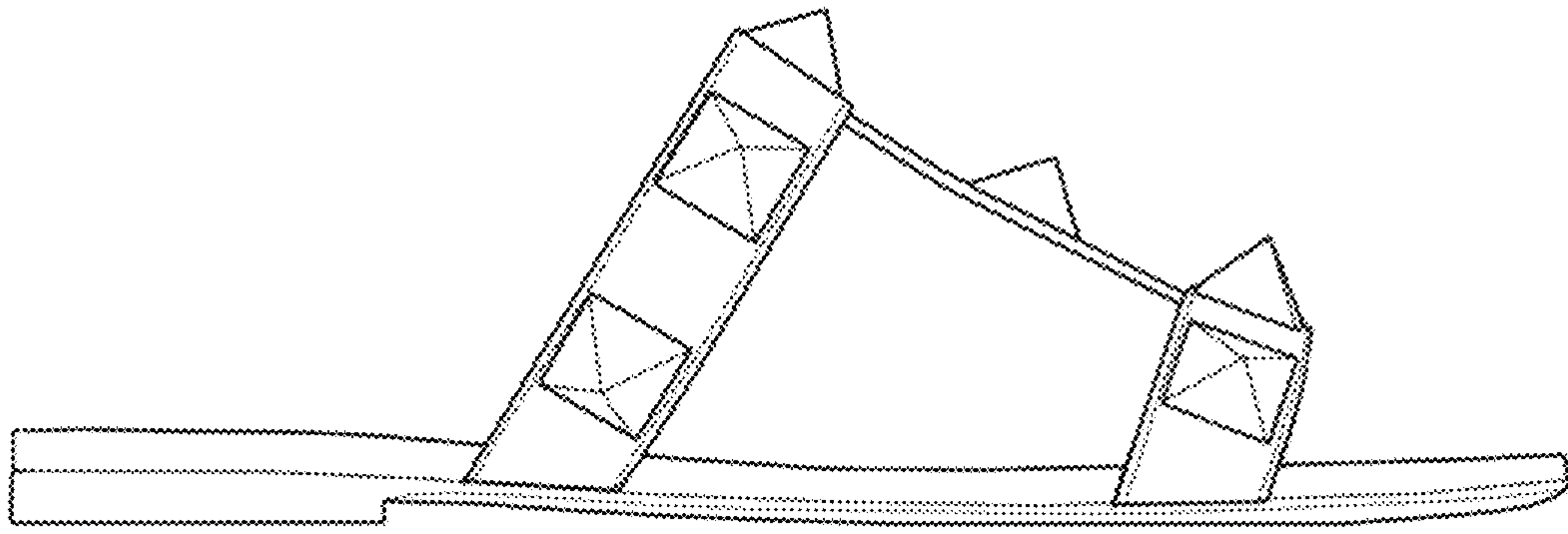


FIG. 5

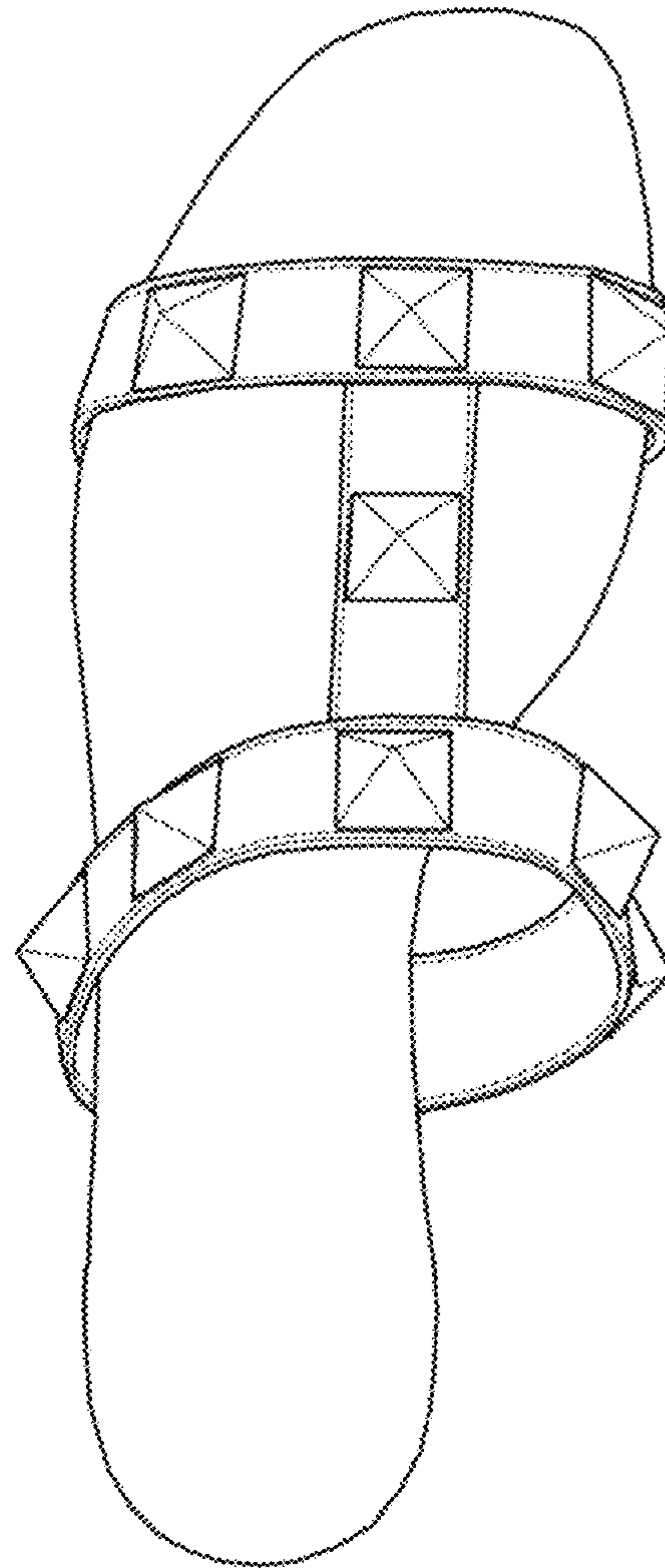


FIG. 6



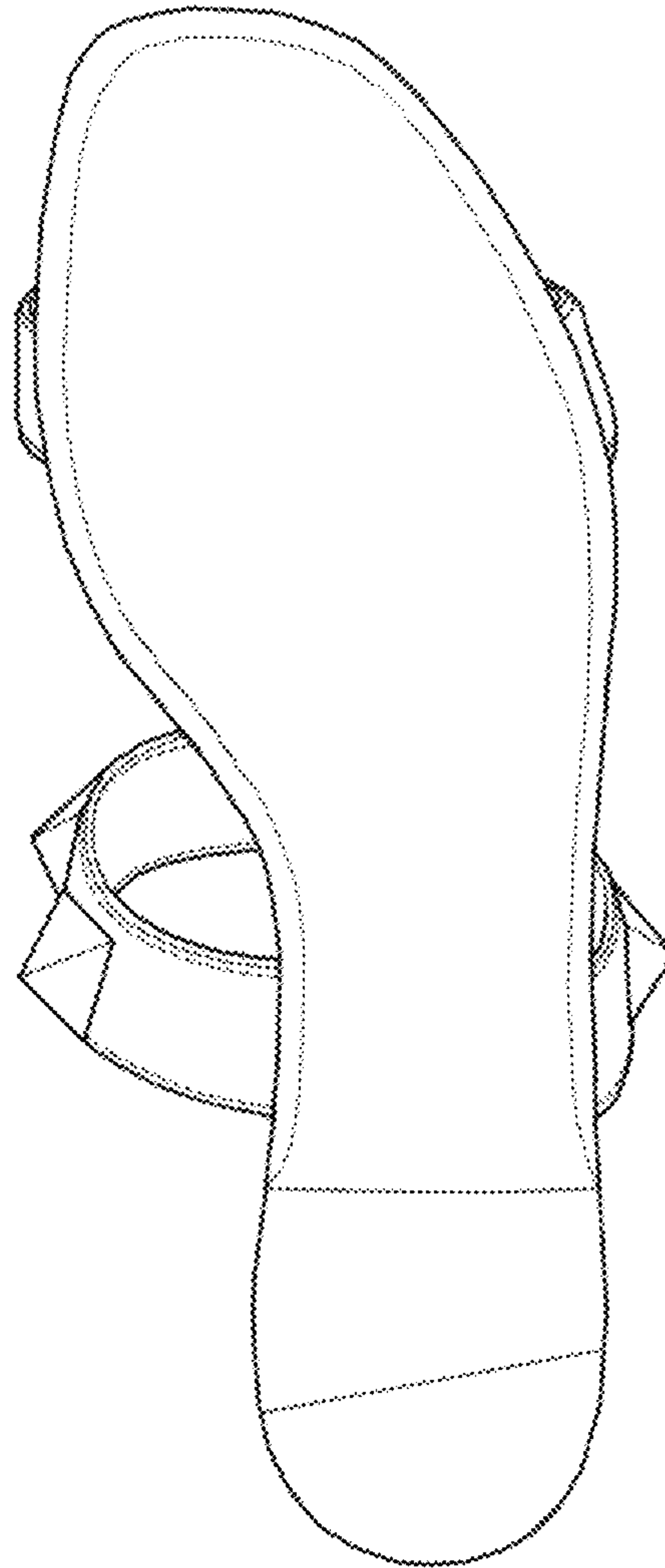


FIG. 7