



US00D971562S

(12) **United States Design Patent** (10) **Patent No.:** **US D971,562 S**
Hipwood et al. (45) **Date of Patent:** **** Dec. 6, 2022**

(54) **SKI BOOT HAVING MULTIPLE REEL
BASED CLOSURE SYSTEMS**
(71) Applicant: **Boa Technoloy Inc.**, Denver, CO (US)
(72) Inventors: **Daniel Hipwood**, Denver, CO (US);
Cody Henderson, Denver, CO (US);
Charles Clayton Corbett, Denver, CO
(US); **Stefan Sporrer**, Mondsee (AT);
Alessandro Manzato, Mondsee (AT)

(73) Assignee: **BOA TECHNOLOGY INC.**, Denver,
CO (US)

(**) Term: **15 Years**

(21) Appl. No.: **35/001,911**

(22) Filed: **Aug. 31, 2020**

(80) **Hague Agreement Data**

Int. Filing Date: **Aug. 31, 2020**
Int. Reg. No.: **DM/211028**
Int. Reg. Date: **Aug. 31, 2020**
Int. Reg. Pub. Date: **Mar. 5, 2021**

(51) **LOC (13) Cl.** **02-04**

(52) **U.S. Cl.**
USPC **D2/904**

(58) **Field of Classification Search**
USPC D2/90, 904, 909-911, 978, 905
See application file for complete search history.

(56) **References Cited**

U.S. PATENT DOCUMENTS

D272,011 S * 1/1984 Dehay D2/904
D278,570 S * 4/1985 Sartor D2/904
5,026,087 A * 6/1991 Wulf A43B 5/0472
280/634
D324,937 S * 3/1992 Cavasin D2/904
D327,360 S * 6/1992 Graham D2/902
D330,278 S * 10/1992 Bonnet D2/904

D362,107 S * 9/1995 Ostinet D2/904
D408,970 S * 5/1999 Gatellet D2/904
D421,677 S * 3/2000 Silagy 24/713.6
D735,987 S * 8/2015 Hsu D2/978
D742,625 S * 11/2015 Frey D2/904
D788,446 S * 6/2017 Wiingaard-Madsen D2/978

(Continued)

Primary Examiner — Jennifer L Watkins
(74) *Attorney, Agent, or Firm* — Kilpatrick Townsend &
Stockton LLP

(57) **CLAIM**

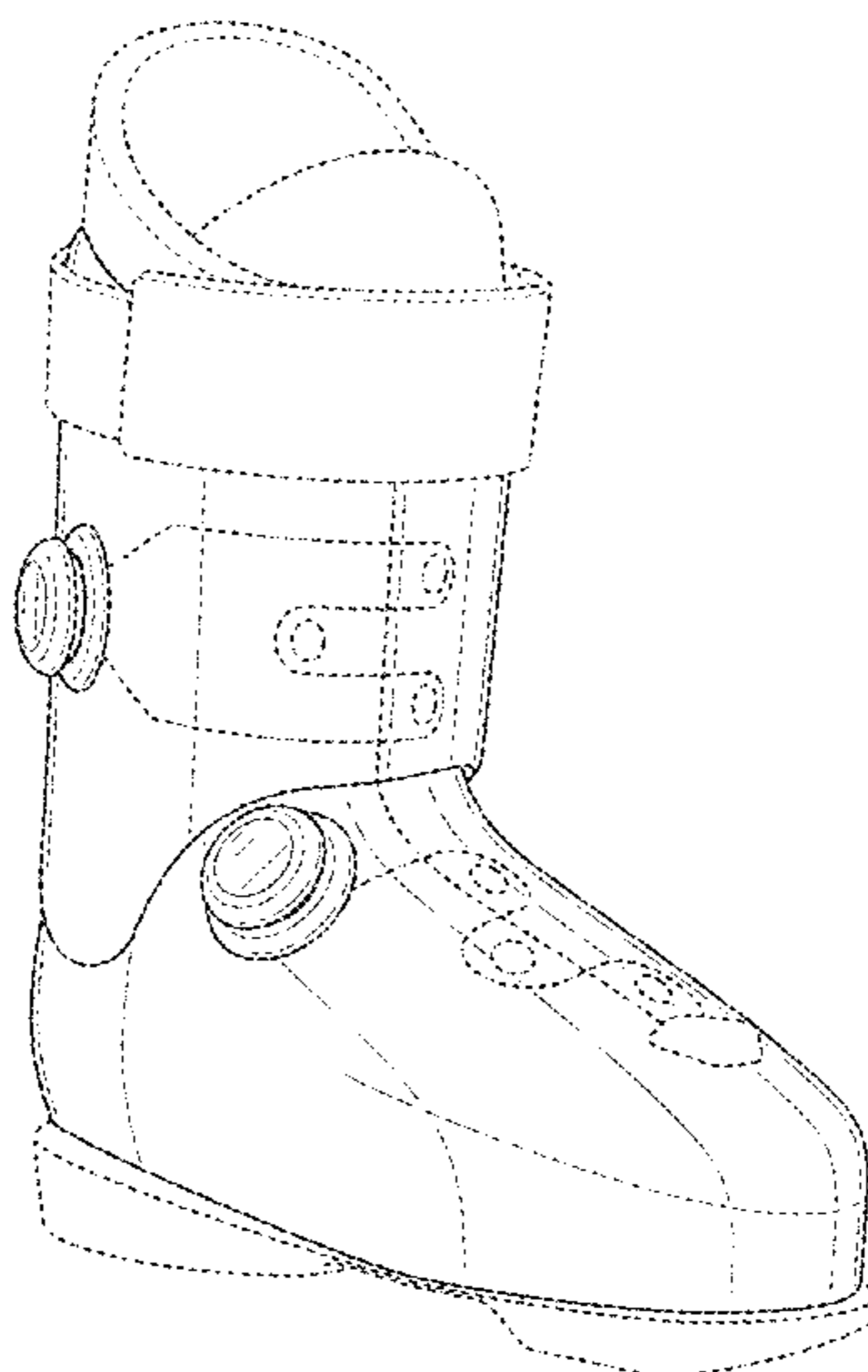
We claim the ornamental design for a ski boot having multiple reel based closure systems, substantially as shown and described.

DESCRIPTION

1. Ski boot having multiple reel based closure systems
1.1 is a perspective view of the ski boot having multiple reel based closure systems;
1.2 is a front view of the ski boot having multiple reel based closure systems;
1.3 is a back view of the ski boot having multiple reel based closure systems;
1.4 is a first side view of the ski boot having multiple reel based closure systems;
1.5 is a second side view of the ski boot having multiple reel based closure systems;
1.6 is a top view of the ski boot having multiple reel based closure systems;
1.7 is a bottom view of the ski boot having multiple reel based closure systems.

The broken lines on the sole and at the top of the article depict environment and form no part of the claimed design. The vertical broken line starting at the top center of the article depicts a seam of the ski boot while the broken lines intersecting the seam and surrounding the surface shading depict a lace path, including a lace and lace guides, of the ski boot. These broken lines also form no part of the claimed design.

1 Claim, 7 Drawing Sheets



(56)

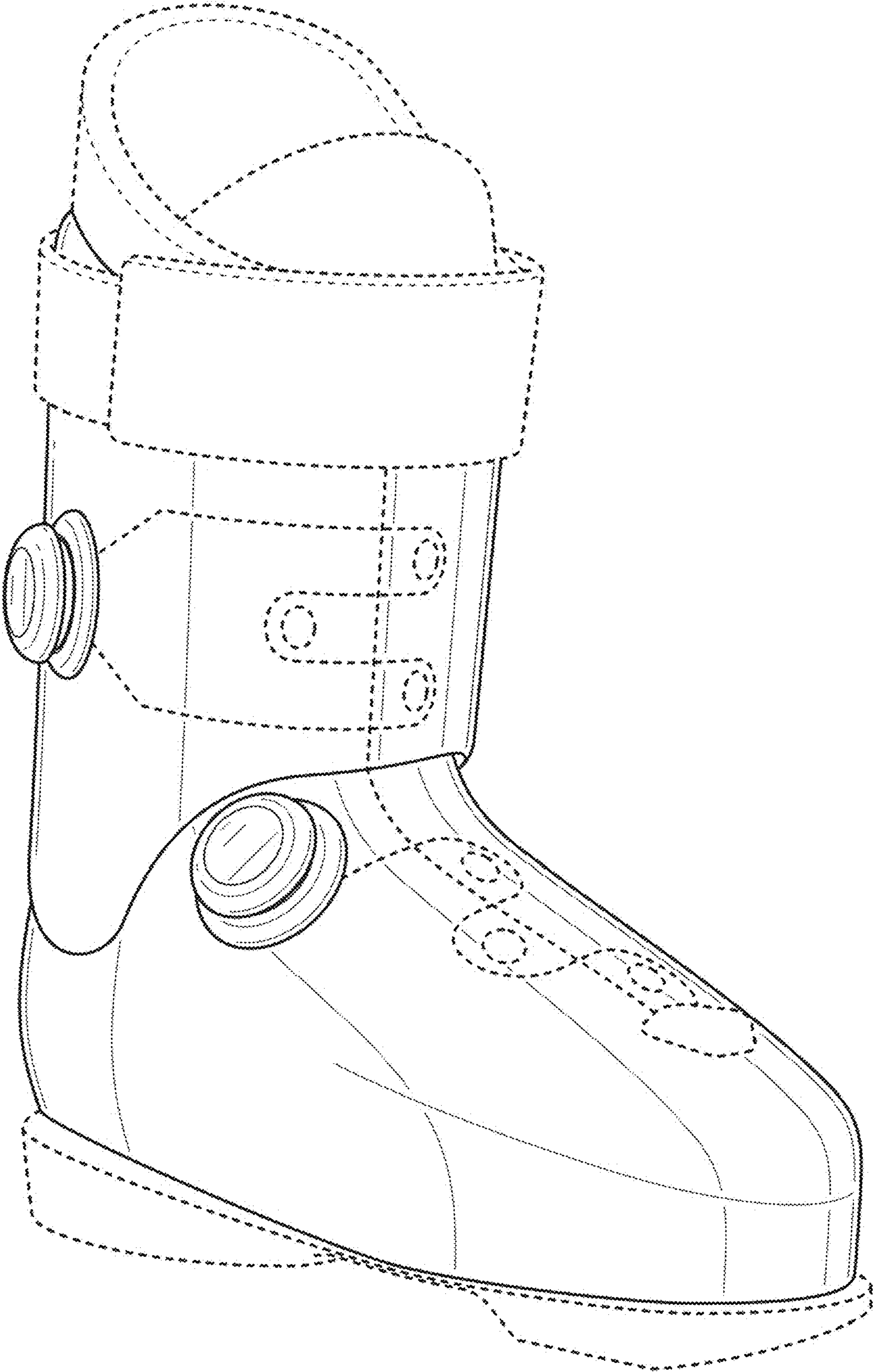
References Cited

U.S. PATENT DOCUMENTS

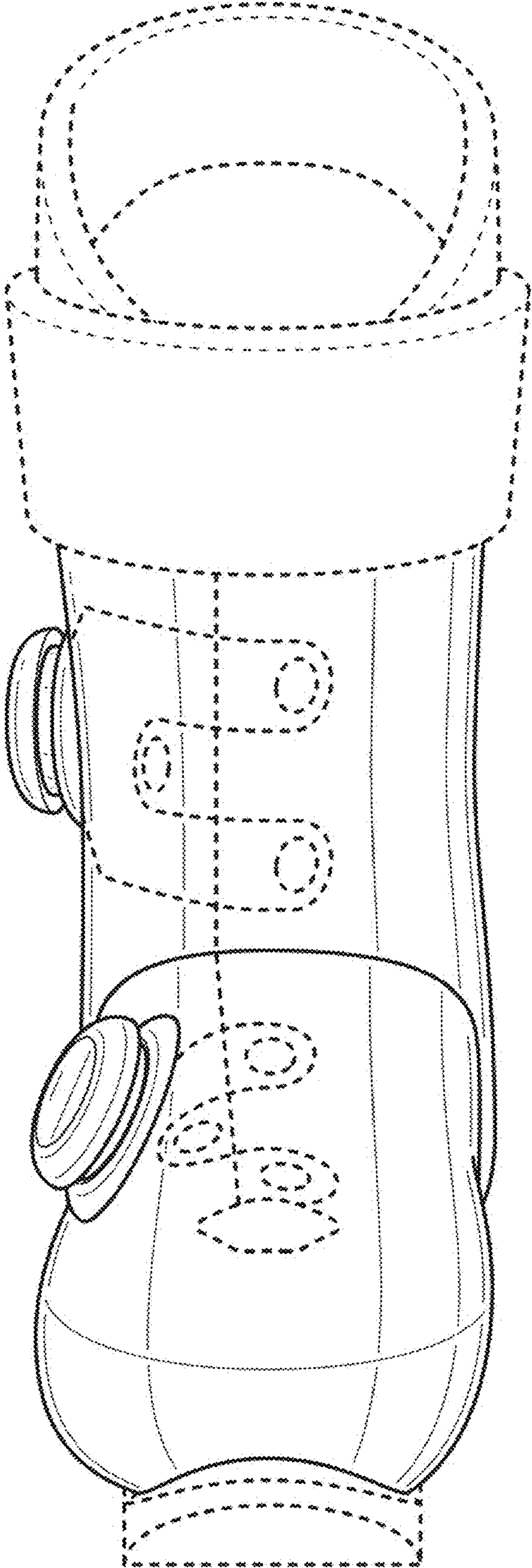
D907,992 S * 1/2021 Kim D2/978
2002/0088146 A1 * 7/2002 Joseph A43B 5/0482
36/117.3
2011/0083342 A1 * 4/2011 Fenato A43B 5/0411
36/117.1
2017/0202297 A1 * 7/2017 Parisotto A43C 11/008
2018/0271541 A1 * 9/2018 Figueiredo A61B 17/1327
2020/0245711 A1 * 8/2020 Trudel A43B 5/0429

* cited by examiner

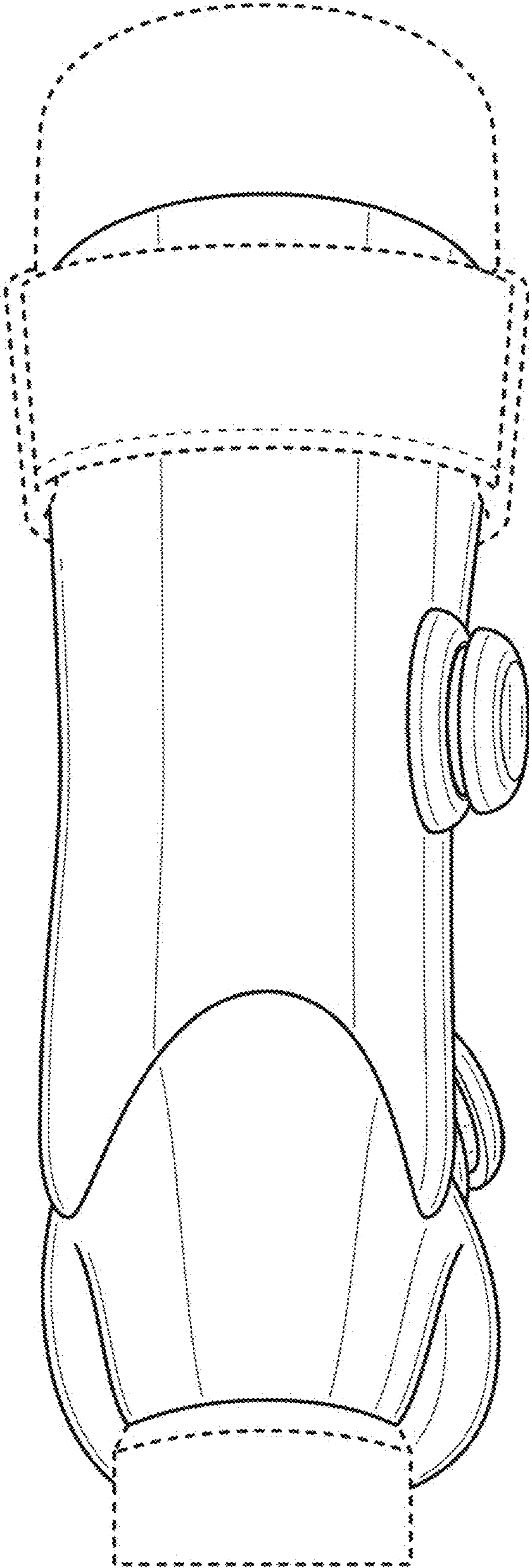
1.1



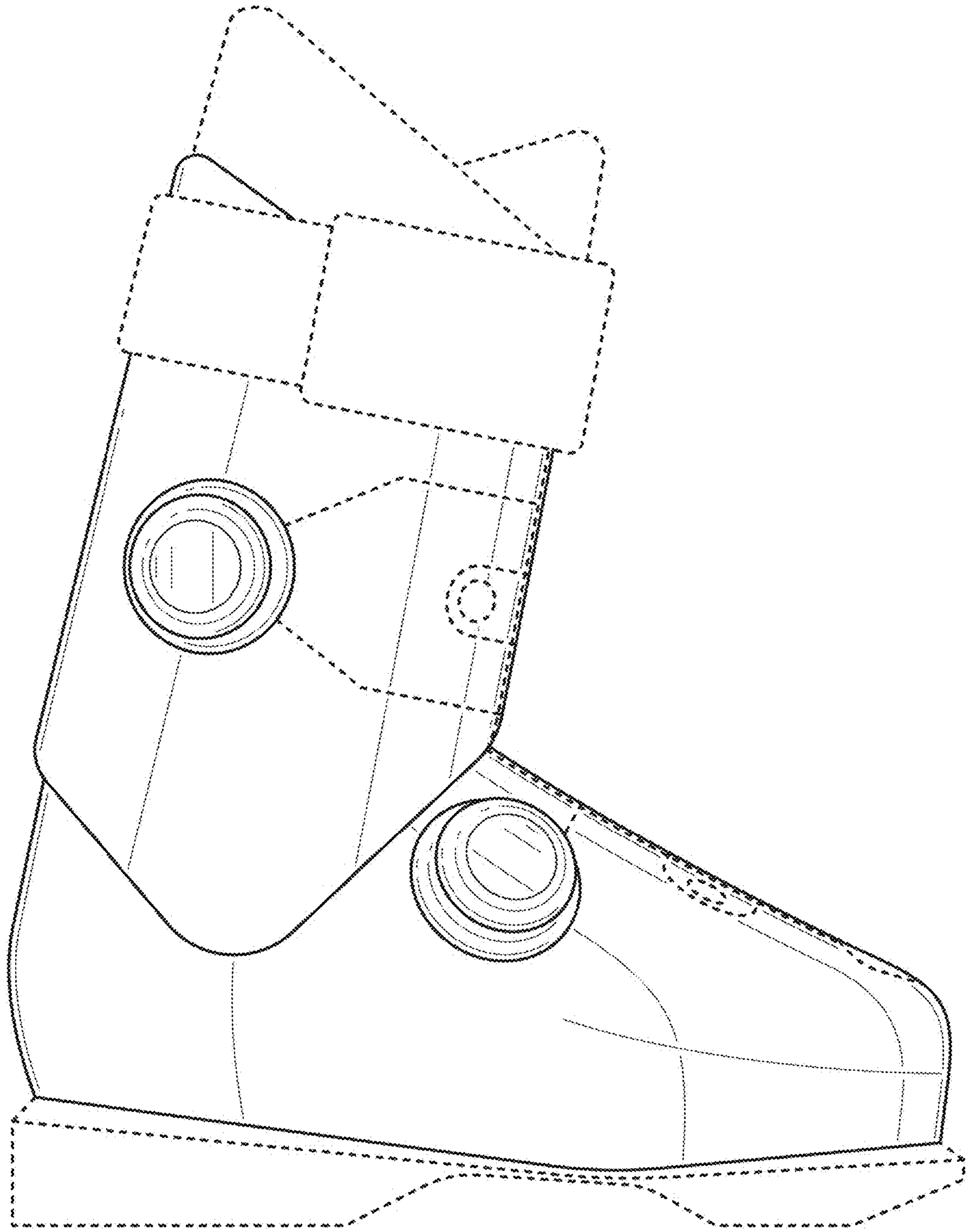
1.2



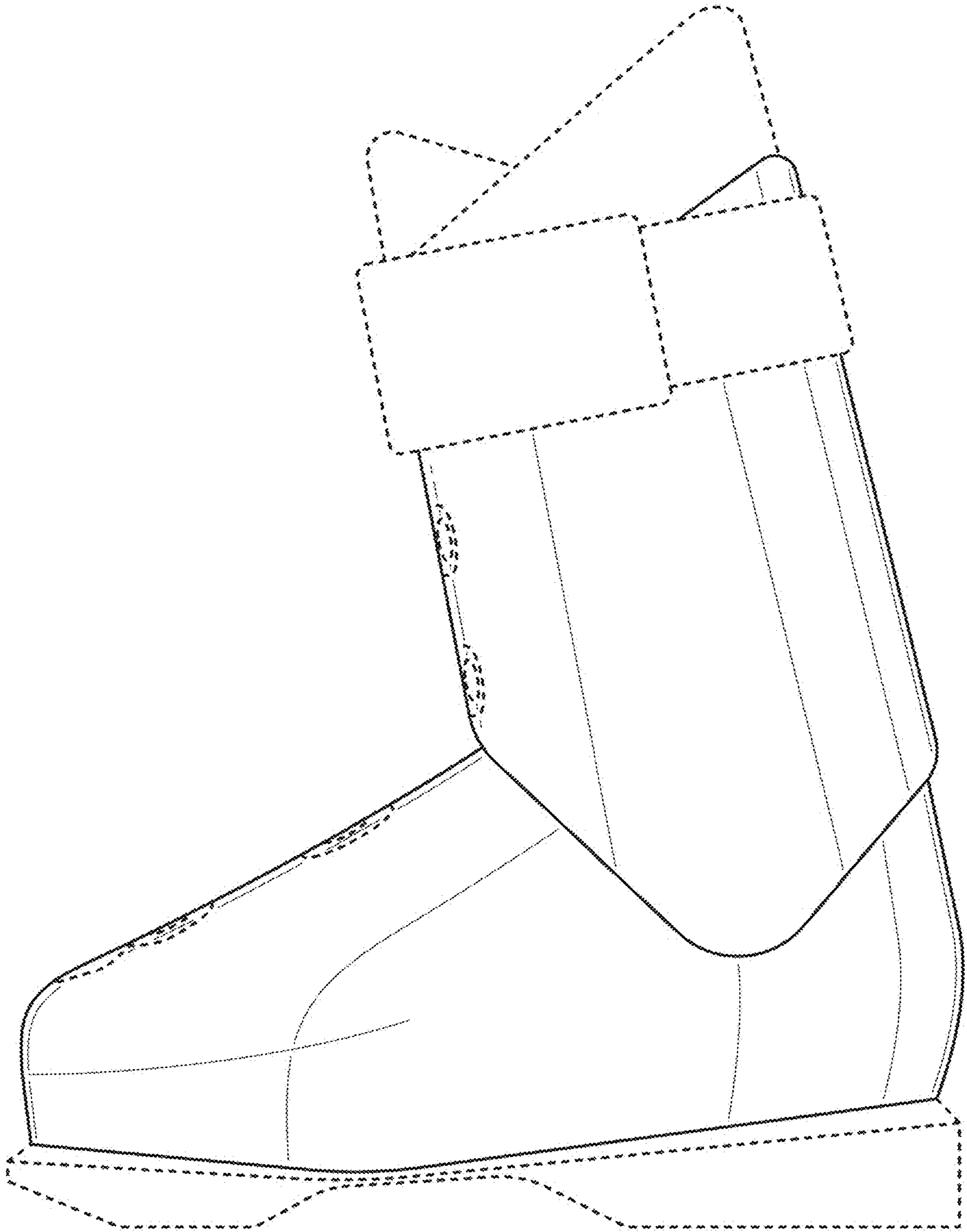
1.3



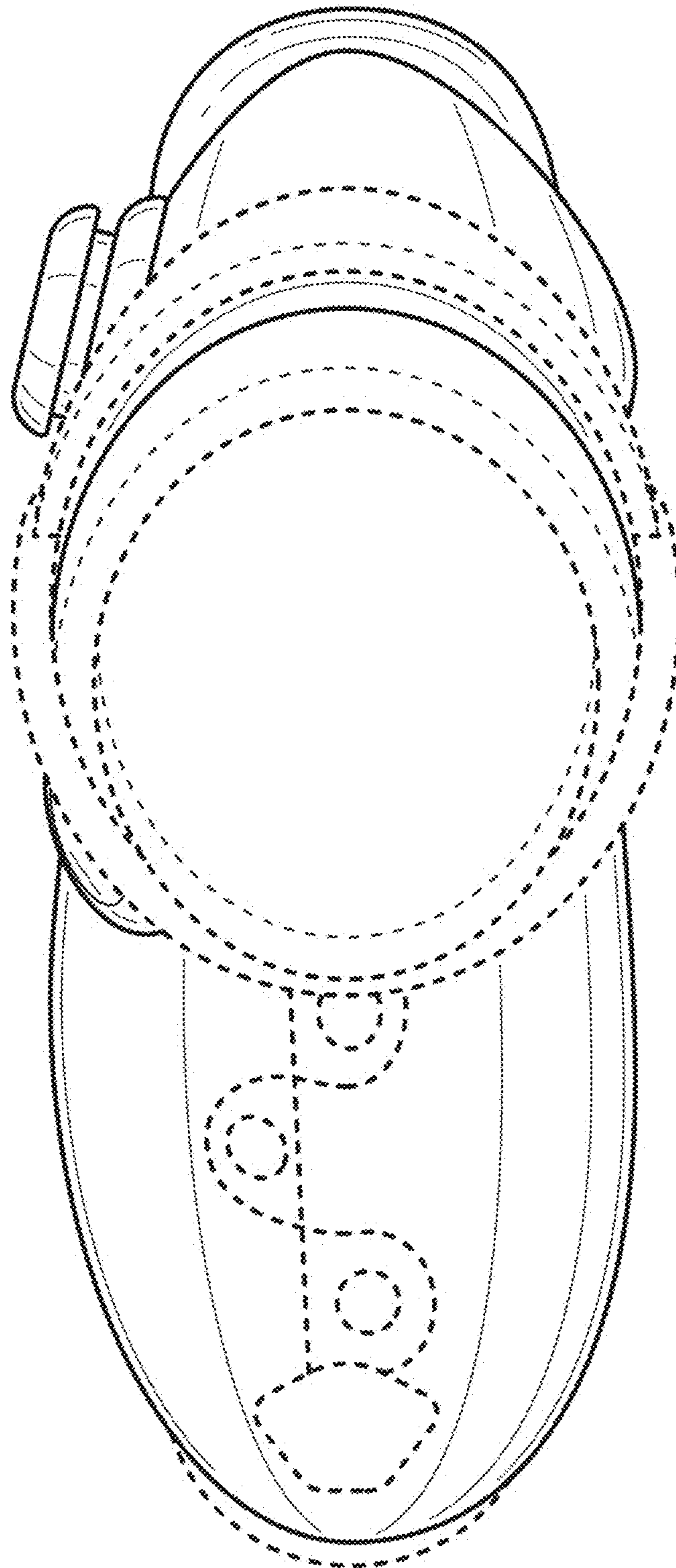
1.4



1.5



1.6



1.7

