



US00D971561S

(12) **United States Design Patent**
Garvey

(10) **Patent No.:** **US D971,561 S**
(45) **Date of Patent:** **** Dec. 6, 2022**

(54) **GAITER**
(71) Applicant: **Brian Jon Garvey**, Spokane, WA (US)
(72) Inventor: **Brian Jon Garvey**, Spokane, WA (US)
(**) Term: **15 Years**
(21) Appl. No.: **29/712,605**
(22) Filed: **Nov. 8, 2019**
(51) **LOC (13) Cl.** **02-04**
(52) **U.S. Cl.**
USPC **D2/901**
(58) **Field of Classification Search**
USPC D2/909, 910, 911, 913, 915, 969, 970,
D2/972, 973, 976, 980; D24/189, 190,
D24/192
CPC A43B 23/00; A43B 23/02; A43B 23/06;
A43B 23/07; A43B 3/00; A43B 3/02;
A43B 3/16; A43B 3/07; A41D 17/00;
A41D 17/005; A41D 2600/10
See application file for complete search history.

6,199,217 B1 * 3/2001 Mooney A41D 17/00
2/240
6,205,593 B1 * 3/2001 Schaub, Jr. A41D 17/00
2/22
6,381,756 B1 * 5/2002 Smith A41B 11/00
2/242
D625,085 S * 10/2010 Frase D2/901
D659,353 S * 5/2012 Miller D2/901
D666,792 S * 9/2012 Zambito D2/901
D668,025 S * 10/2012 Armstrong D2/901
D669,663 S * 10/2012 Miller D2/901
9,301,891 B1 * 4/2016 Childress A41D 17/00
D812,862 S * 3/2018 Powell D2/901
D851,868 S * 6/2019 Isaack D2/901
(Continued)

(56) **References Cited**

U.S. PATENT DOCUMENTS

1,258,052 A * 3/1918 Stall A61F 13/08
602/63
D58,893 S * 9/1921 Drager D2/901
3,083,373 A * 4/1963 Rizzotto A41D 17/00
2/270
4,716,596 A * 1/1988 Hofman A41D 17/00
2/227
4,748,749 A * 6/1988 Colvard A41D 17/00
36/10
D345,252 S * 3/1994 Randall D2/901
D369,455 S * 5/1996 Halvorson D2/901
D371,452 S * 7/1996 Graves D2/901
D376,253 S * 12/1996 Johansson D2/901
5,815,948 A * 10/1998 Dzielak A41D 17/00
36/2 R
D415,874 S * 11/1999 Lawrence D2/901

OTHER PUBLICATIONS

Pasanava Leg Gaiters, announced Oct. 21, 2019 [online], [site visited Oct. 5, 2021]. Available from internet, URL: <https://www.amazon.com/Pasanava-Gaiters-Waterproof-Adjustable-Backpacking/dp/B07ZD74HMT> (Year: 2019).*

Primary Examiner — Michelle E. Wilson
Assistant Examiner — Yelizaveta Y Masalimova
(74) *Attorney, Agent, or Firm* — Mark Farrell; Farrell Patent Law PC

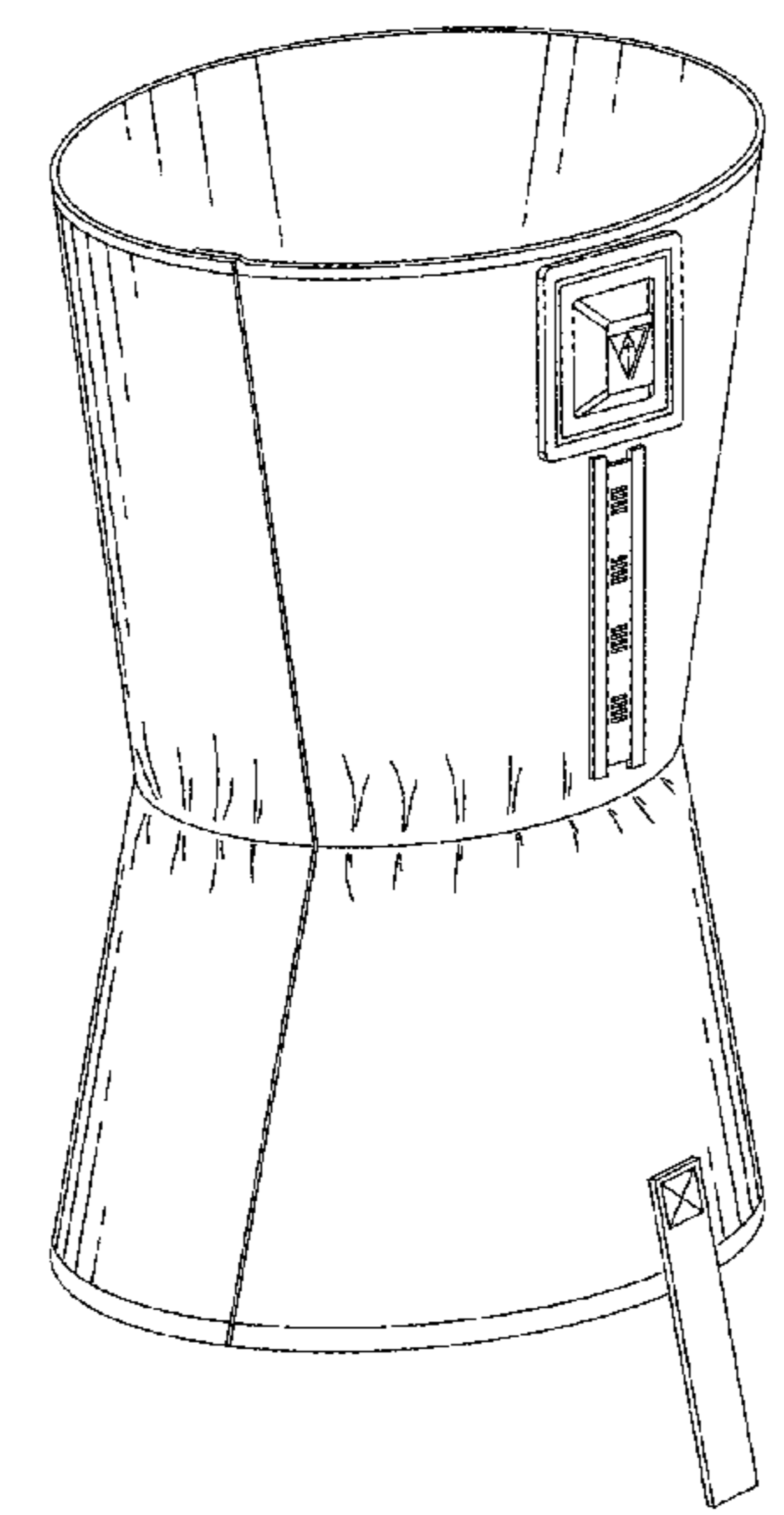
(57) **CLAIM**

The ornamental design for a gaiter, as shown and described.

DESCRIPTION

FIG. 1 is front-right-top perspective view of a gaiter showing the new design;
FIG. 2 is a front view thereof;
FIG. 3 is a back view thereof;
FIG. 4 is a top plan view thereof;
FIG. 5 is a bottom plan view thereof;
FIG. 6 is a right side elevation view thereof; and,
FIG. 7 is a left side elevation view thereof.

1 Claim, 7 Drawing Sheets



(56)

References Cited

U.S. PATENT DOCUMENTS

D855,948 S * 8/2019 Smith D2/901
D880,704 S * 4/2020 McEwen D24/189
2016/0021955 A1* 1/2016 Rich A41F 17/04
2/231
2016/0044978 A1* 2/2016 Callaway A41D 27/12
2/22
2018/0084850 A1* 3/2018 Smith A43B 3/0078
2018/0116313 A1* 5/2018 James A41D 27/202
2021/0177076 A1* 6/2021 Clark A41D 27/10

* cited by examiner

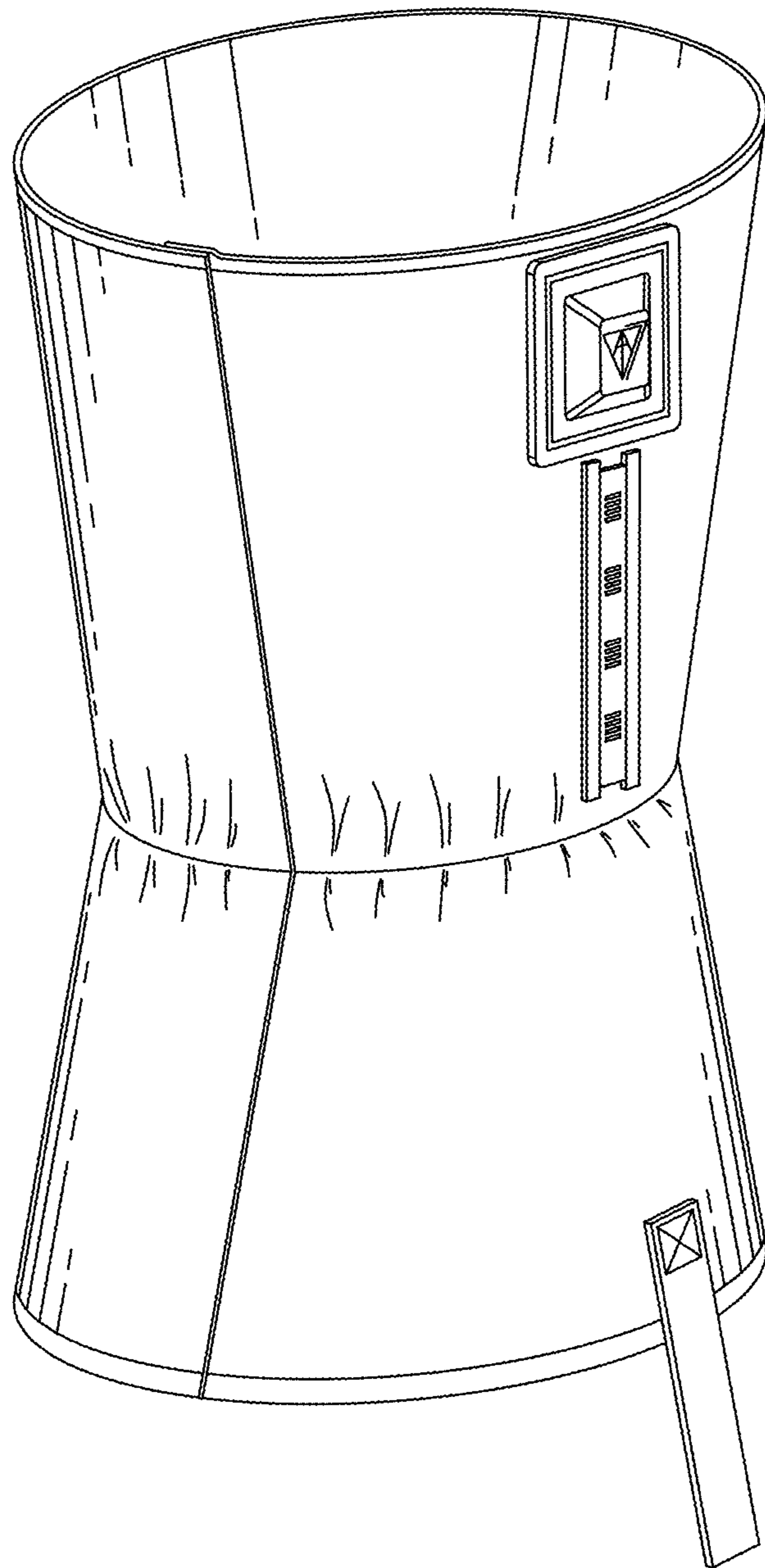


FIG. 1

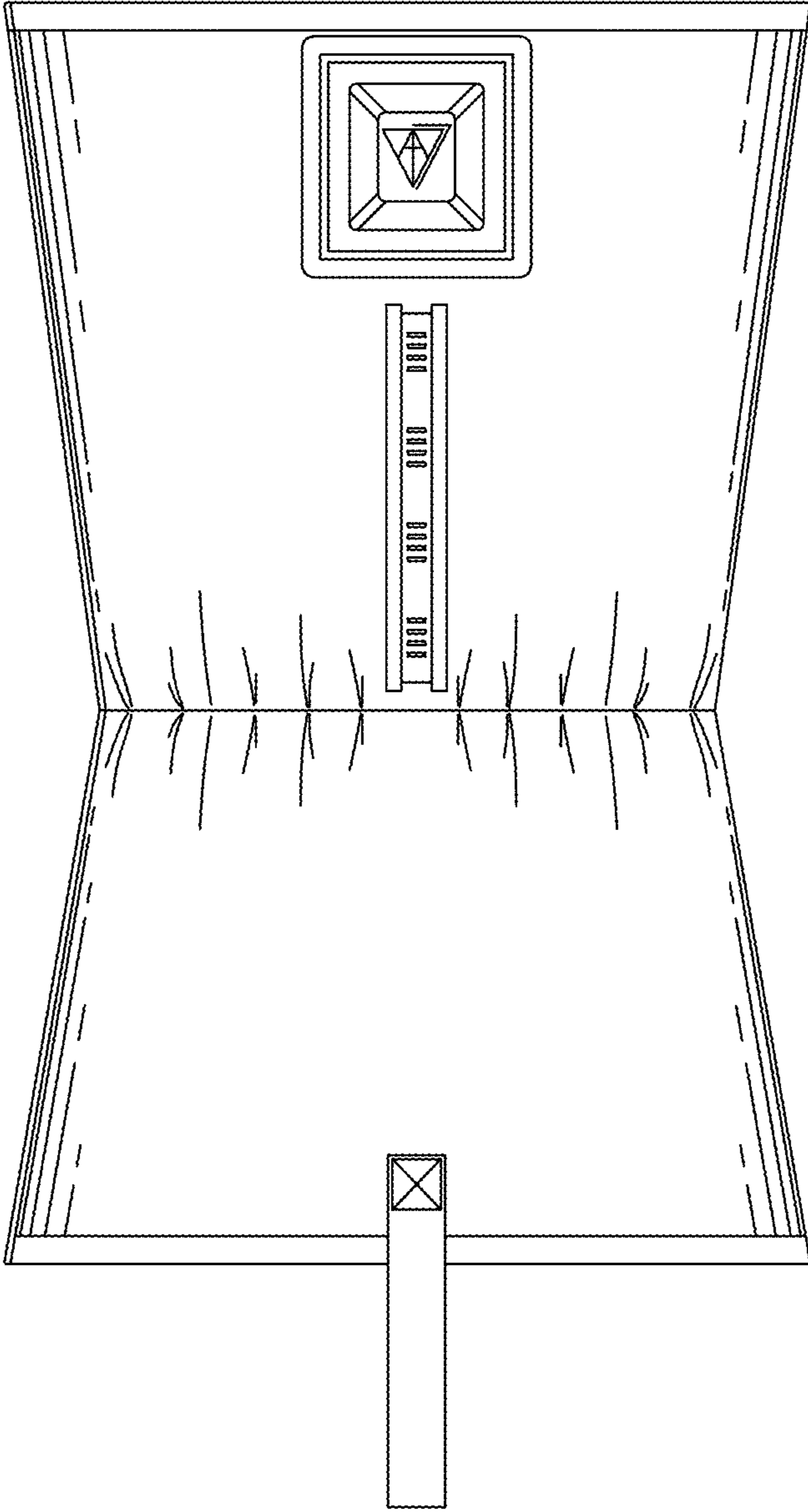


FIG. 2

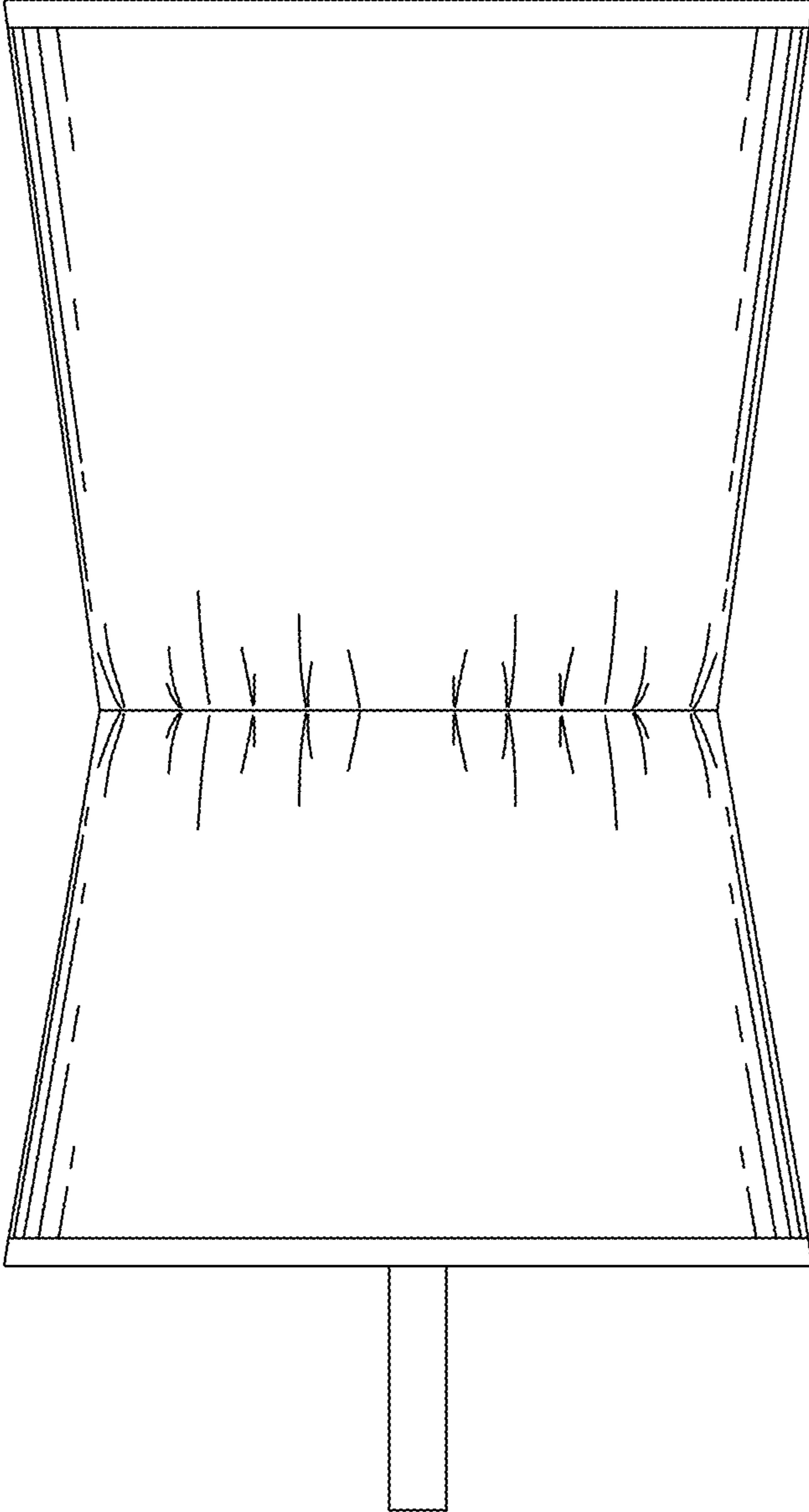


FIG. 3

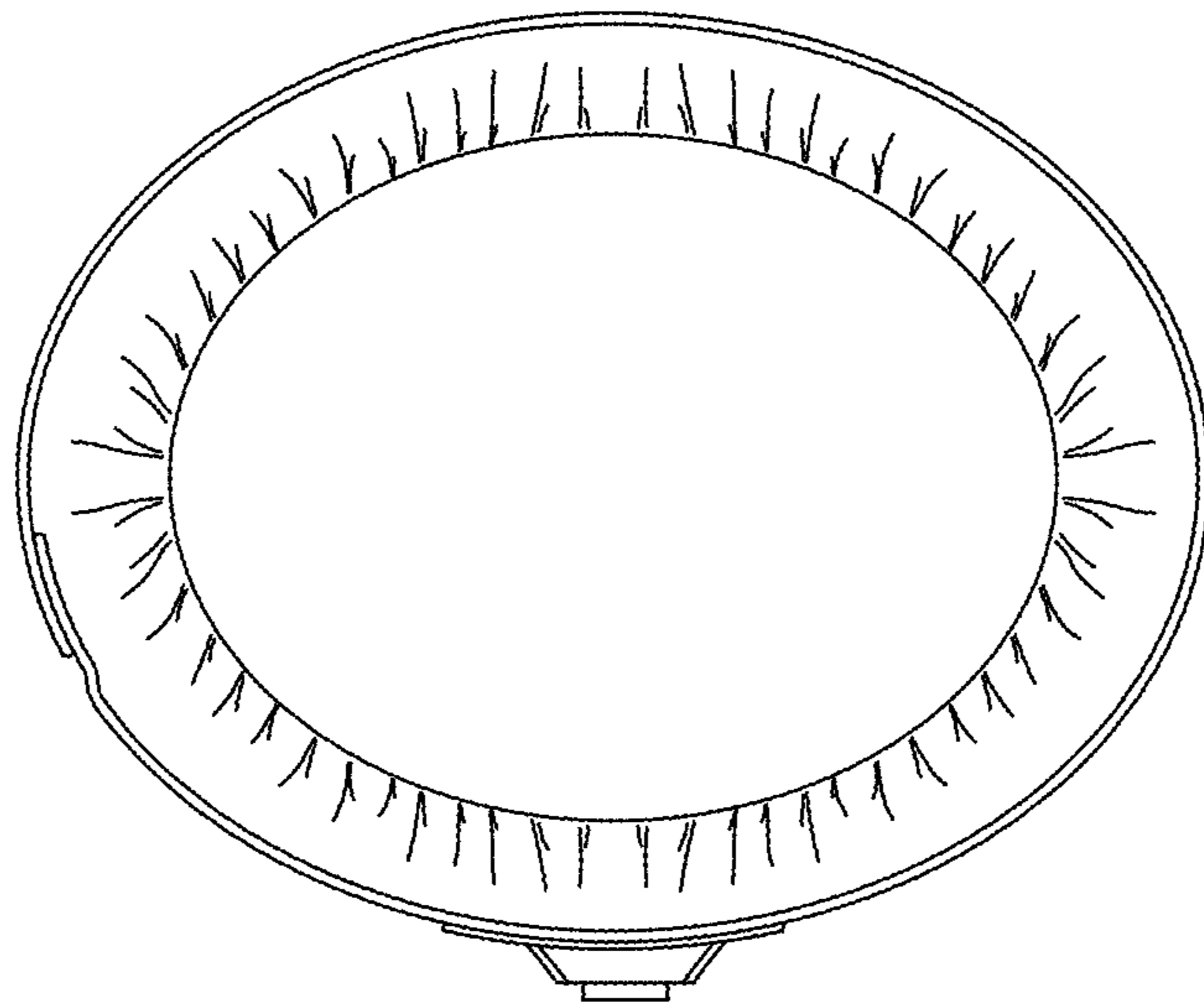


FIG. 4

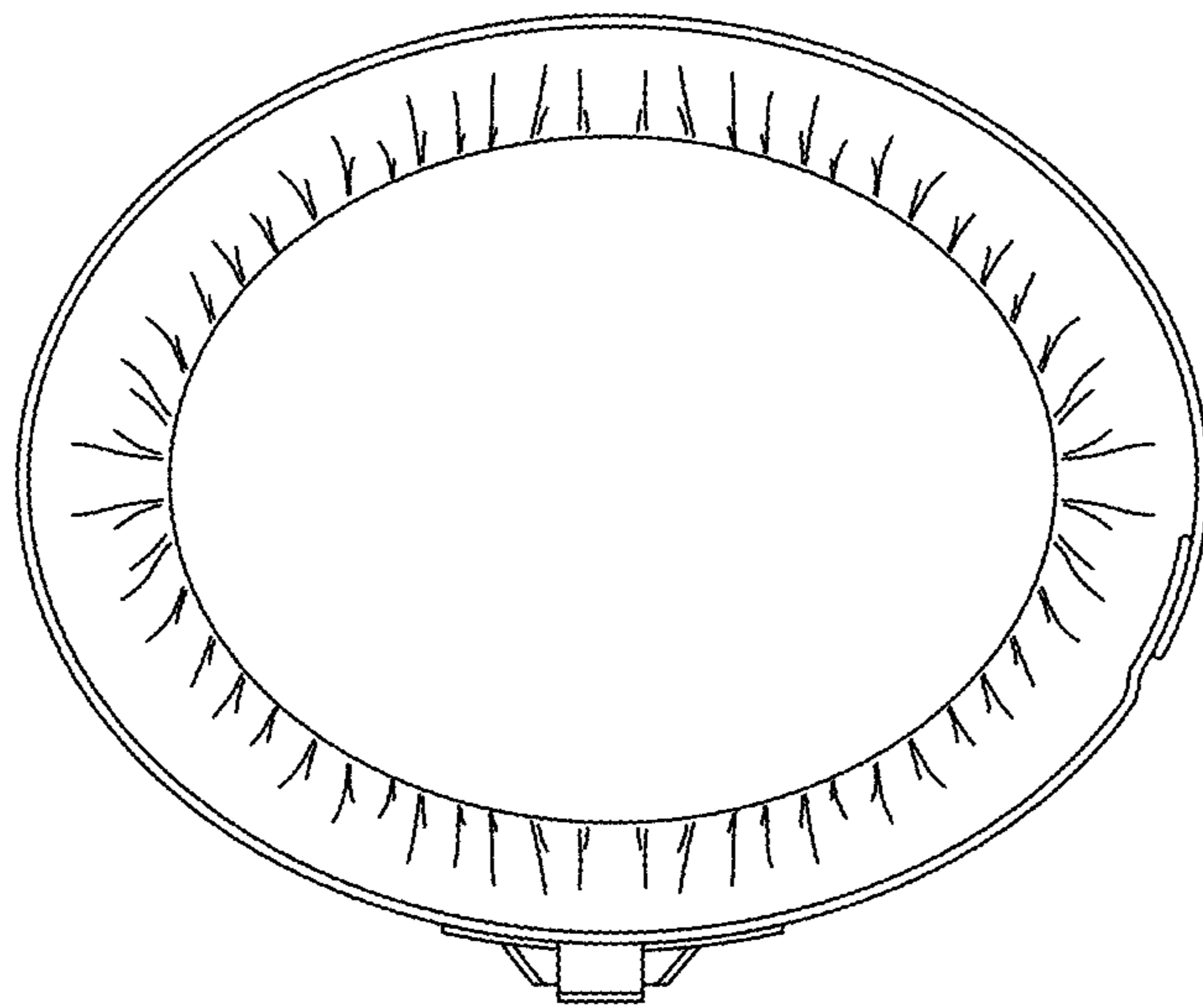


FIG. 5

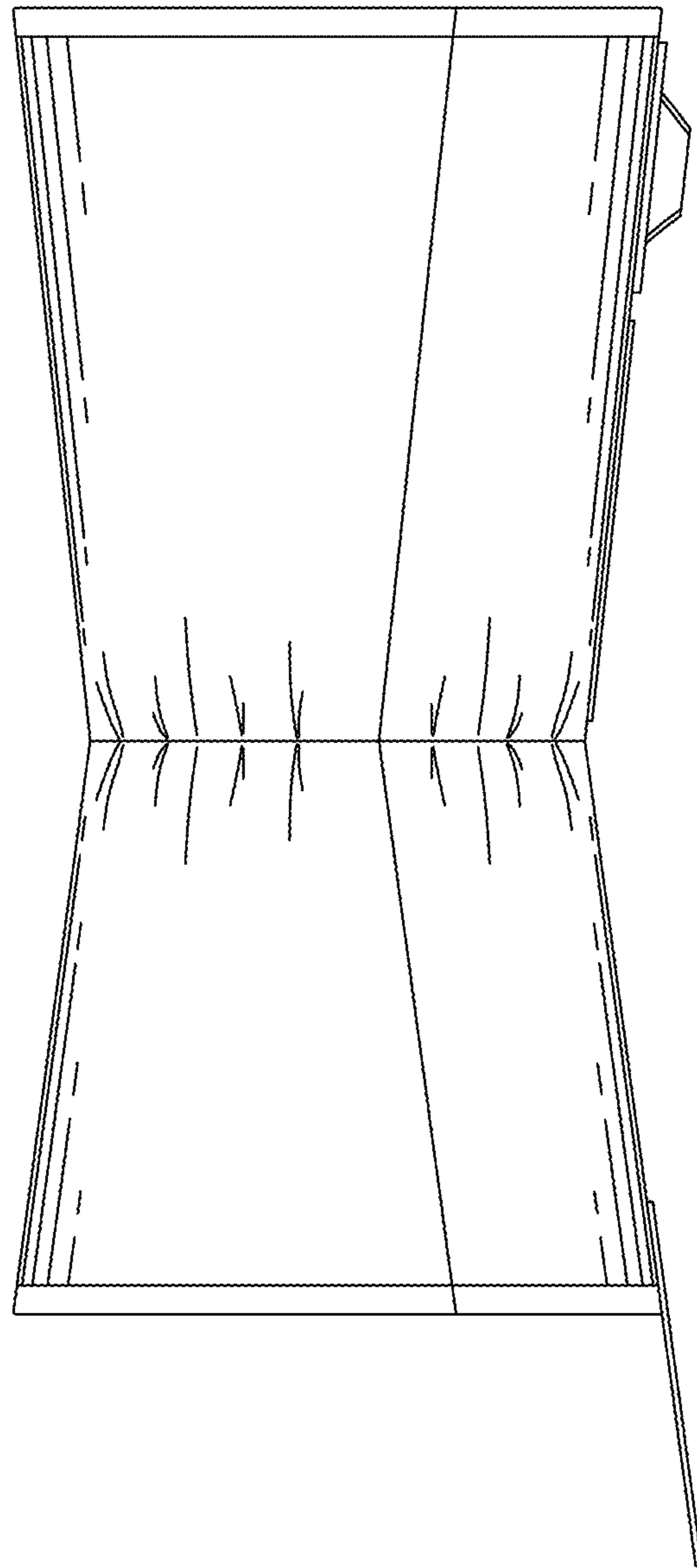


FIG. 6

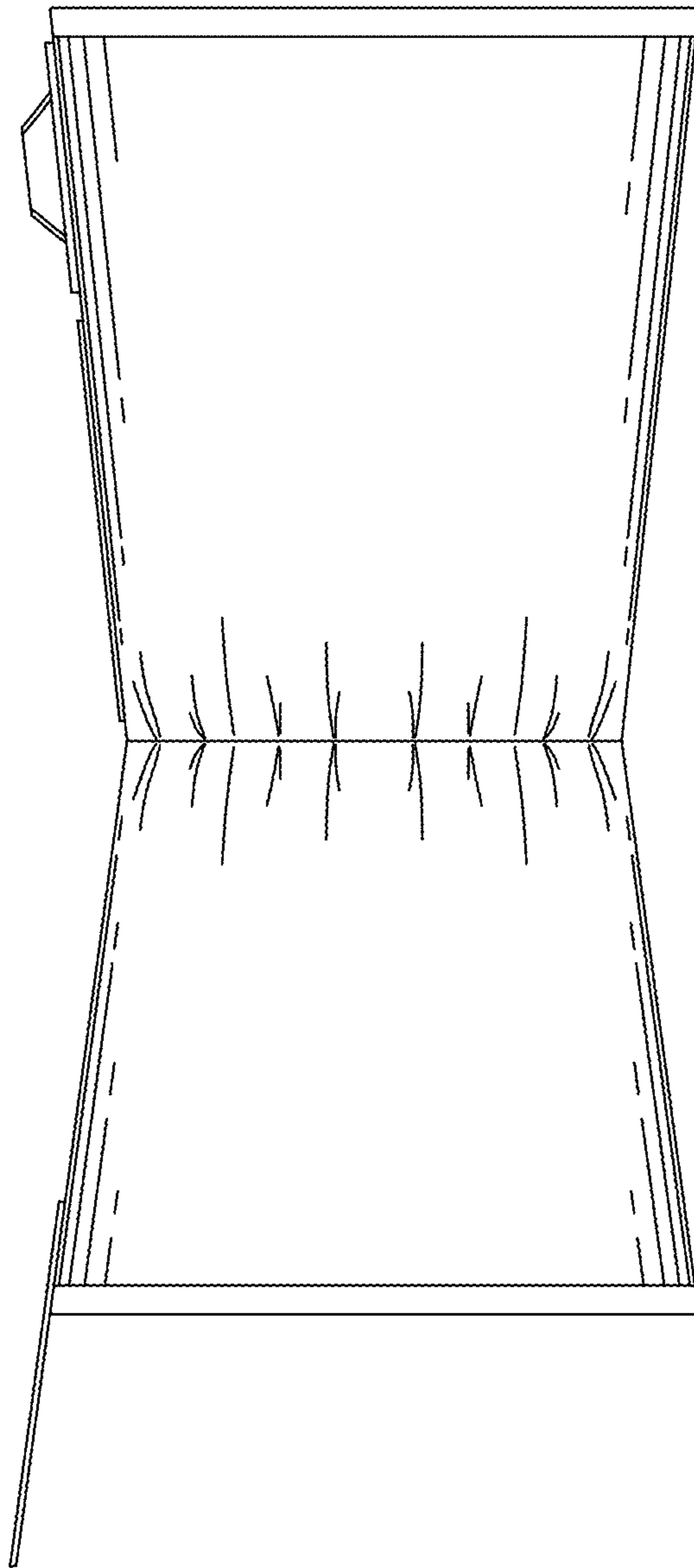


FIG. 7