

US00D971553S

(12) **United States Design Patent**
Zhuang

(10) **Patent No.:** **US D971,553 S**

(45) **Date of Patent:** **** Dec. 6, 2022**

(54) **SHOEHORN**

(71) Applicant: **Ruzhuo Zhuang**, Shenzhen (CN)

(72) Inventor: **Ruzhuo Zhuang**, Shenzhen (CN)

(**) Term: **15 Years**

(21) Appl. No.: **29/764,169**

(22) Filed: **Dec. 29, 2020**

(30) **Foreign Application Priority Data**

Dec. 3, 2020 (CN) 202030739977.1

(51) **LOC (13) Cl.** **07-99**

(52) **U.S. Cl.**
USPC **D2/642; D8/51**

(58) **Field of Classification Search**
USPC D2/641-643, 999; D3/200; D11/221;
D28/91.2; D8/51
CPC A47G 25/80; A47G 25/82; A47G 25/86;
A47G 25/90; A47G 25/902; A47G
25/905; A47G 25/907
See application file for complete search history.

(56) **References Cited**

U.S. PATENT DOCUMENTS

- 3,883,052 A * 5/1975 Wilson A47G 25/905
223/111
- 5,687,889 A * 11/1997 Liden A47G 25/80
223/111
- 5,974,701 A * 11/1999 Busch A43B 11/00
223/111
- 7,287,675 B1 * 10/2007 Sullivan A47G 25/905
223/111
- D617,619 S * 6/2010 Bensussan A47G 25/80
D8/51

- D655,589 S * 3/2012 Owens D8/51
- D764,884 S * 8/2016 Kuna D8/51
- D792,180 S * 7/2017 Reda D8/51
- 9,693,645 B1 * 7/2017 Harripersad A47G 25/80
- D887,805 S * 6/2020 Fleming D8/51
- 2021/0120992 A1 * 4/2021 Zhuang A47G 25/80
- 2022/0039527 A1 * 2/2022 Kaner A47G 25/82

* cited by examiner

Primary Examiner — Kevin K Rudzinski

Assistant Examiner — Clare Ann Gannon

(74) *Attorney, Agent, or Firm* — Rumit R. Kanakia

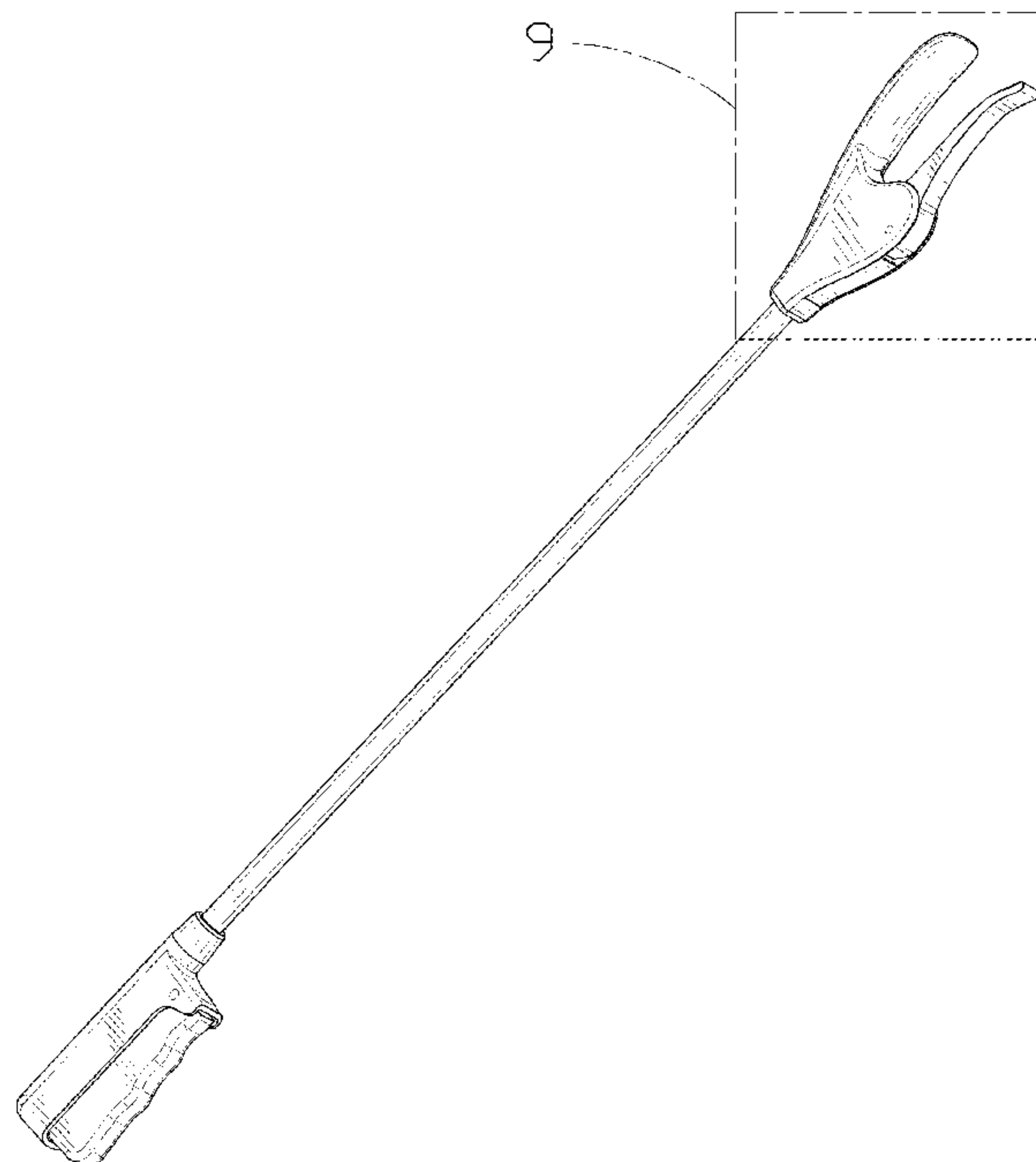
(57) **CLAIM**

The ornamental design for a shoehorn, as shown and described.

DESCRIPTION

FIG. 1 is a first perspective view of a shoehorn showing my new design;
 FIG. 2 is a second perspective view thereof;
 FIG. 3 is a front view thereof;
 FIG. 4 is a back view thereof;
 FIG. 5 is a left side view thereof;
 FIG. 6 is a right side view thereof;
 FIG. 7 is a top view thereof;
 FIG. 8 is a bottom view thereof;
 FIG. 9 is an enlarged view of the selected portion in FIG. 1; and,
 FIG. 10 is an enlarged view of the selected portion in FIG. 2.
 The broken lines shown in the drawings depict portions of the shoehorn in which the design is embodied that form no part of the claimed design.

1 Claim, 10 Drawing Sheets



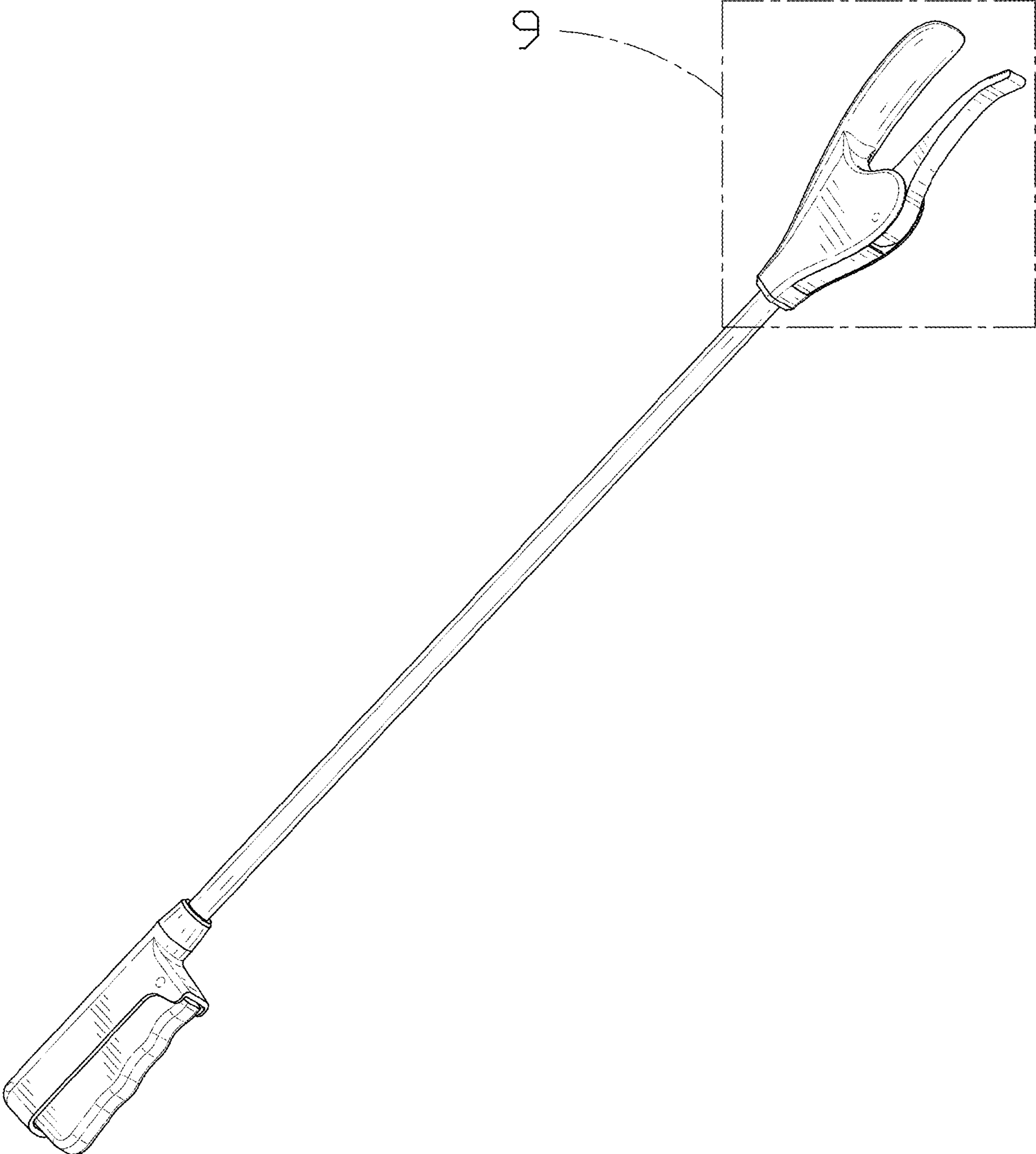


FIG. 1

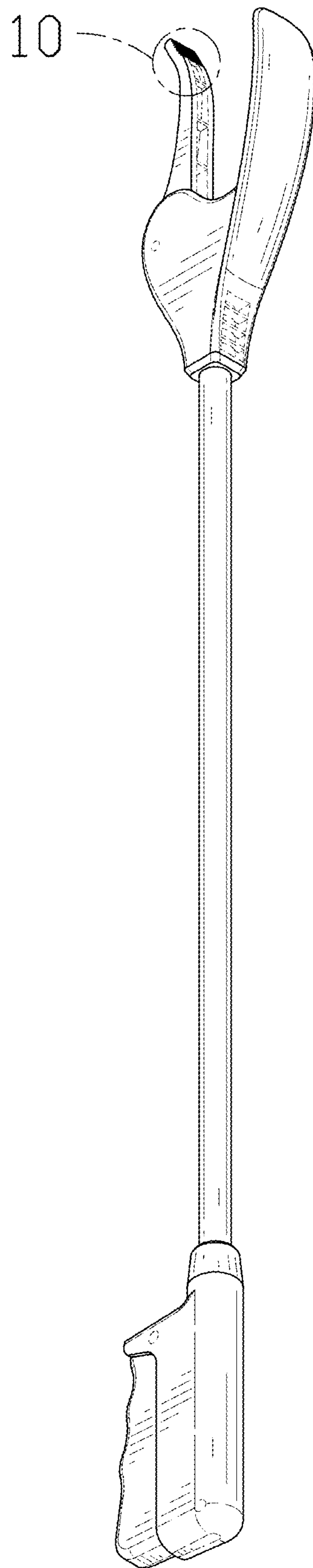


FIG. 2

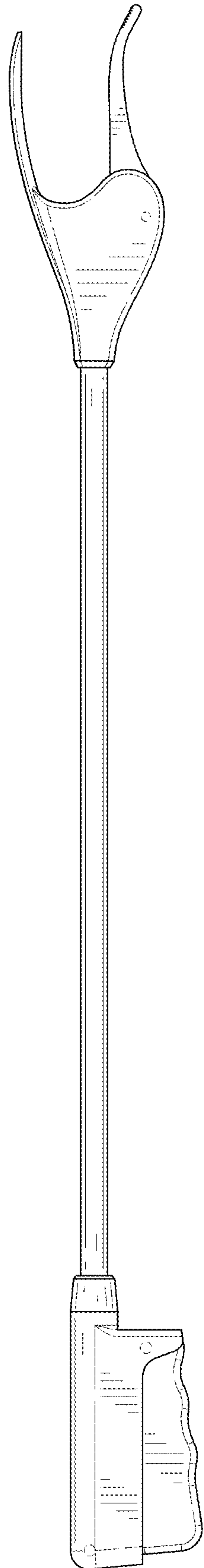


FIG. 3

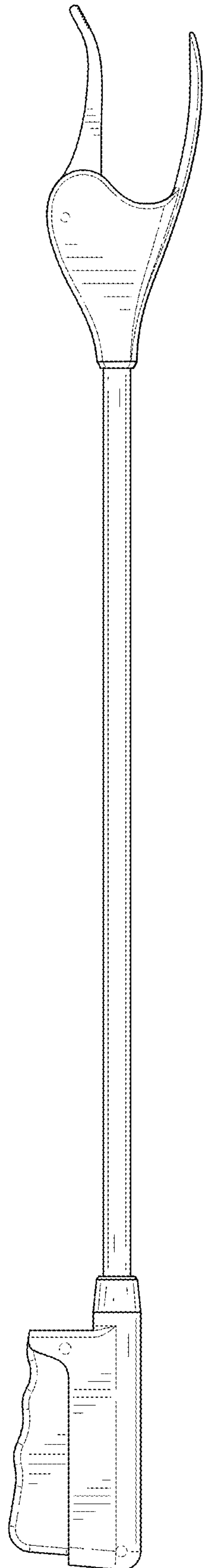


FIG. 4

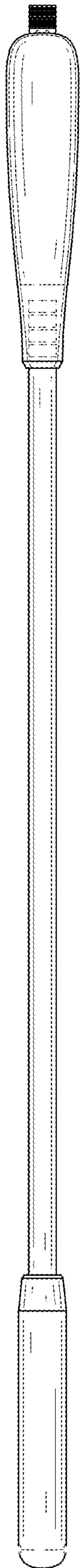


FIG. 5

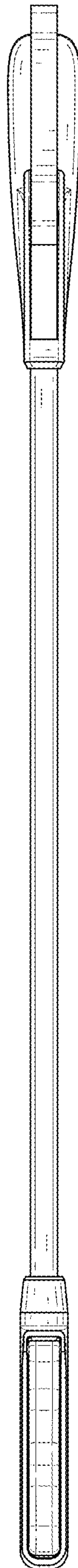


FIG. 6

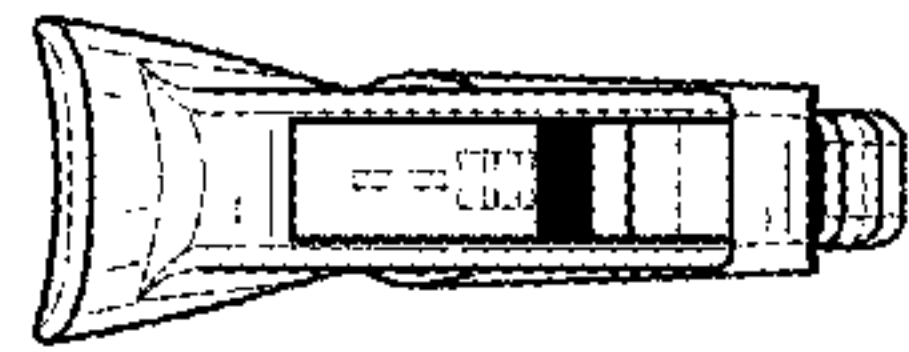


FIG. 7

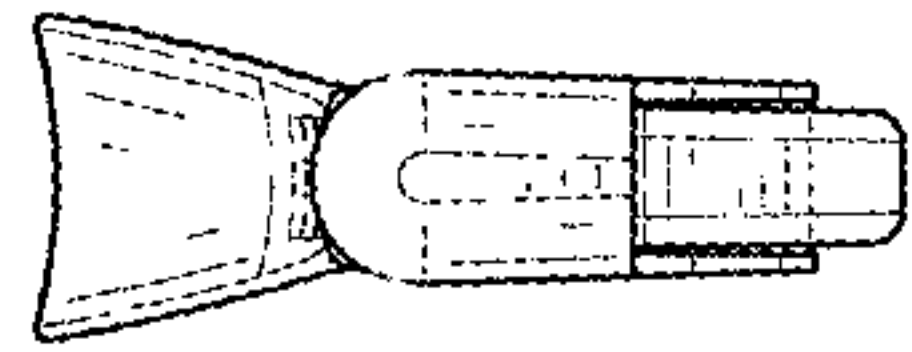


FIG. 8

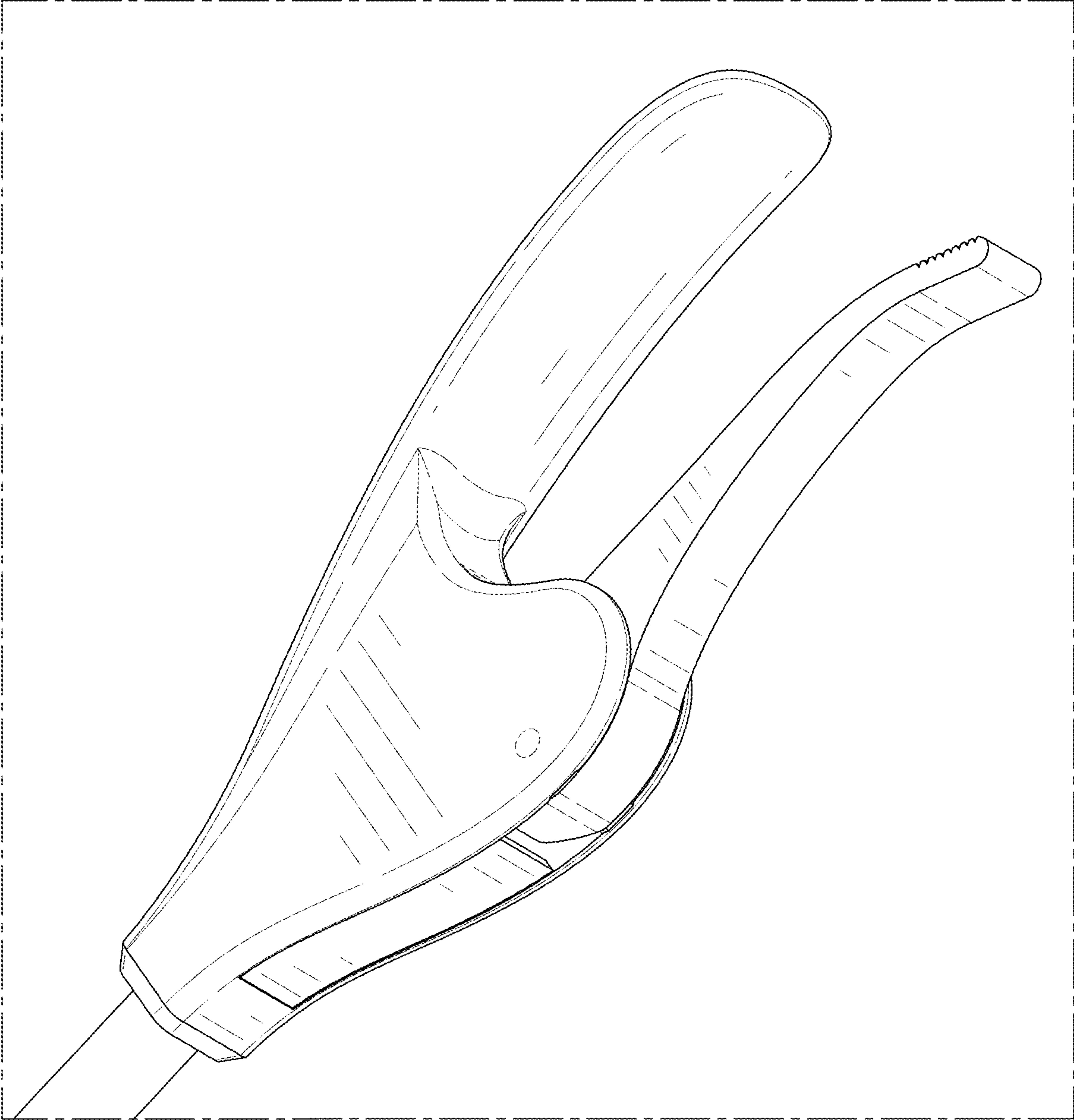


FIG. 9

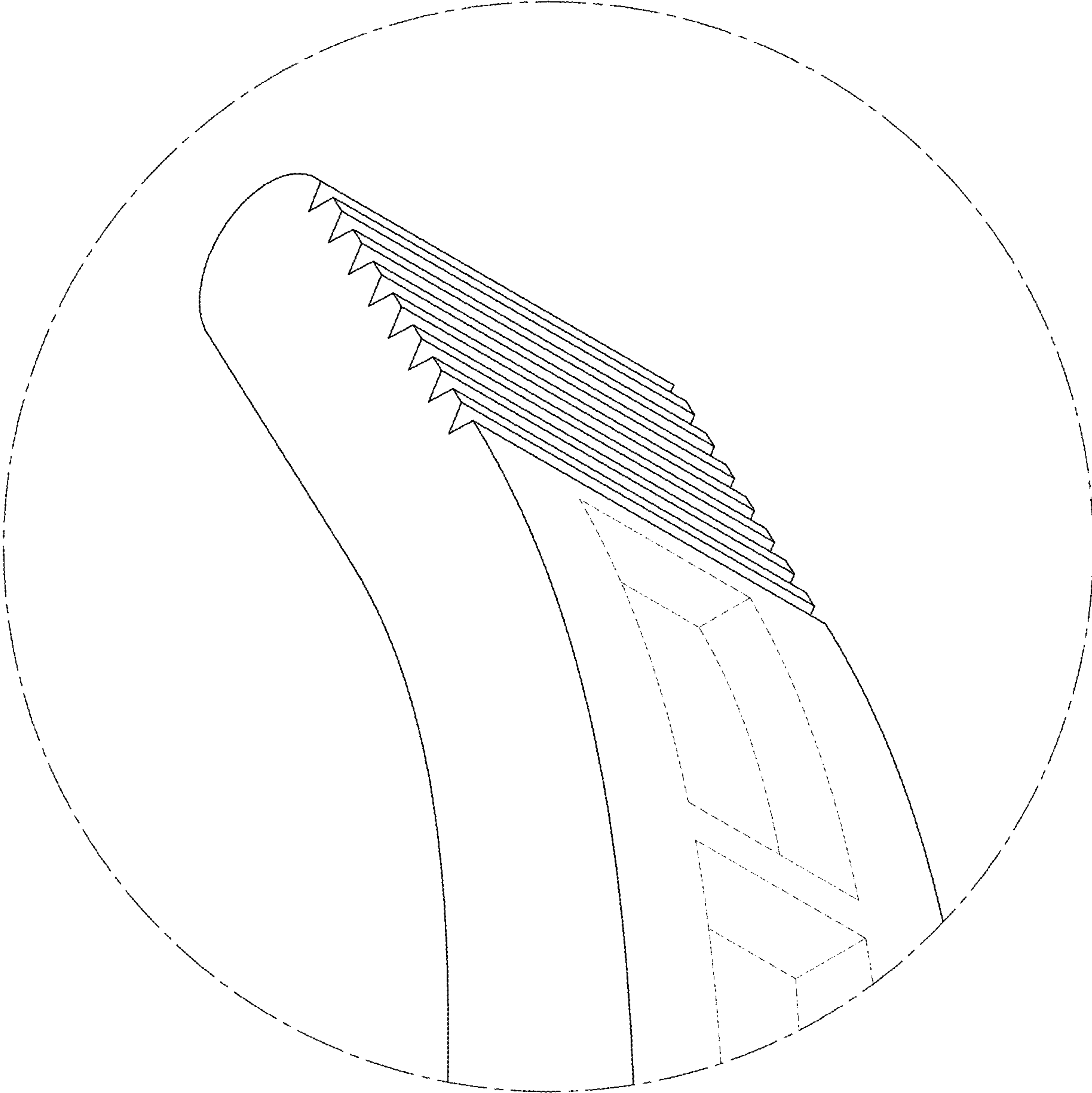


FIG. 10