



US00D971549S

(12) **United States Design Patent** (10) **Patent No.:** **US D971,549 S**
Ubel (45) **Date of Patent:** **** Dec. 6, 2022**

(54) **DOG CHEW**

Primary Examiner — Katie Jane Stofko

(71) Applicant: **Coolhouse Sourcing LLC**,
Minneapolis, MN (US)

(74) *Attorney, Agent, or Firm* — Patterson Thuent
Pedersen, P.A.

(72) Inventor: **Andrew Ubel**, St. Paul, MN (US)

(57) **CLAIM**

(73) Assignee: **COOLHOUSE SOURCING LLC**,
Minneapolis, MN (US)

I claim the ornamental design for a dog chew, as shown and described.

(**) Term: **15 Years**

(21) Appl. No.: **29/779,841**

DESCRIPTION

(22) Filed: **Apr. 21, 2021**

(51) **LOC (13) Cl.** **01-01**

(52) **U.S. Cl.**
USPC **D1/106; D1/112**

(58) **Field of Classification Search**
USPC D1/100–130, 199; 426/104, 115, 143,
426/144, 249, 274, 517, 518, 615, 805;
D21/386; D25/119, 121; D30/160;
D24/102, 103; D34/28, 29
CPC . A23G 9/503; A23G 9/48; B26D 3/26; B26D
3/11; A23L 1/217
See application file for complete search history.

FIG. 1 is a front, top and right side perspective view of a first embodiment of a dog chew showing my new design;
FIG. 2 is a front elevation view thereof;
FIG. 3 is a rear elevation view thereof;
FIG. 4 is a top plan view thereof;
FIG. 5 is a bottom plan view thereof;
FIG. 6 is a left side elevation view thereof;
FIG. 7 is a right side elevation view thereof;
FIG. 8 is a front, top and right side perspective view of a second embodiment of a dog chew showing my new design;
FIG. 9 is a front elevation view thereof;
FIG. 10 is a rear elevation view thereof;
FIG. 11 is a top plan view thereof;
FIG. 12 is a bottom plan view thereof;
FIG. 13 is a left side elevation view thereof;
FIG. 14 is a right side elevation view thereof;
FIG. 15 is a front, top and right side perspective view of a third embodiment of a dog chew showing my new design;
FIG. 16 is a front elevation view thereof;
FIG. 17 is a rear elevation view thereof;
FIG. 18 is a top plan view thereof;
FIG. 19 is a bottom plan view thereof;
FIG. 20 is a left side elevation view thereof; and,
FIG. 21 is a right side elevation view thereof.
The broken lines in the drawing illustrate portions of the dog chew that form no part of the claimed design.

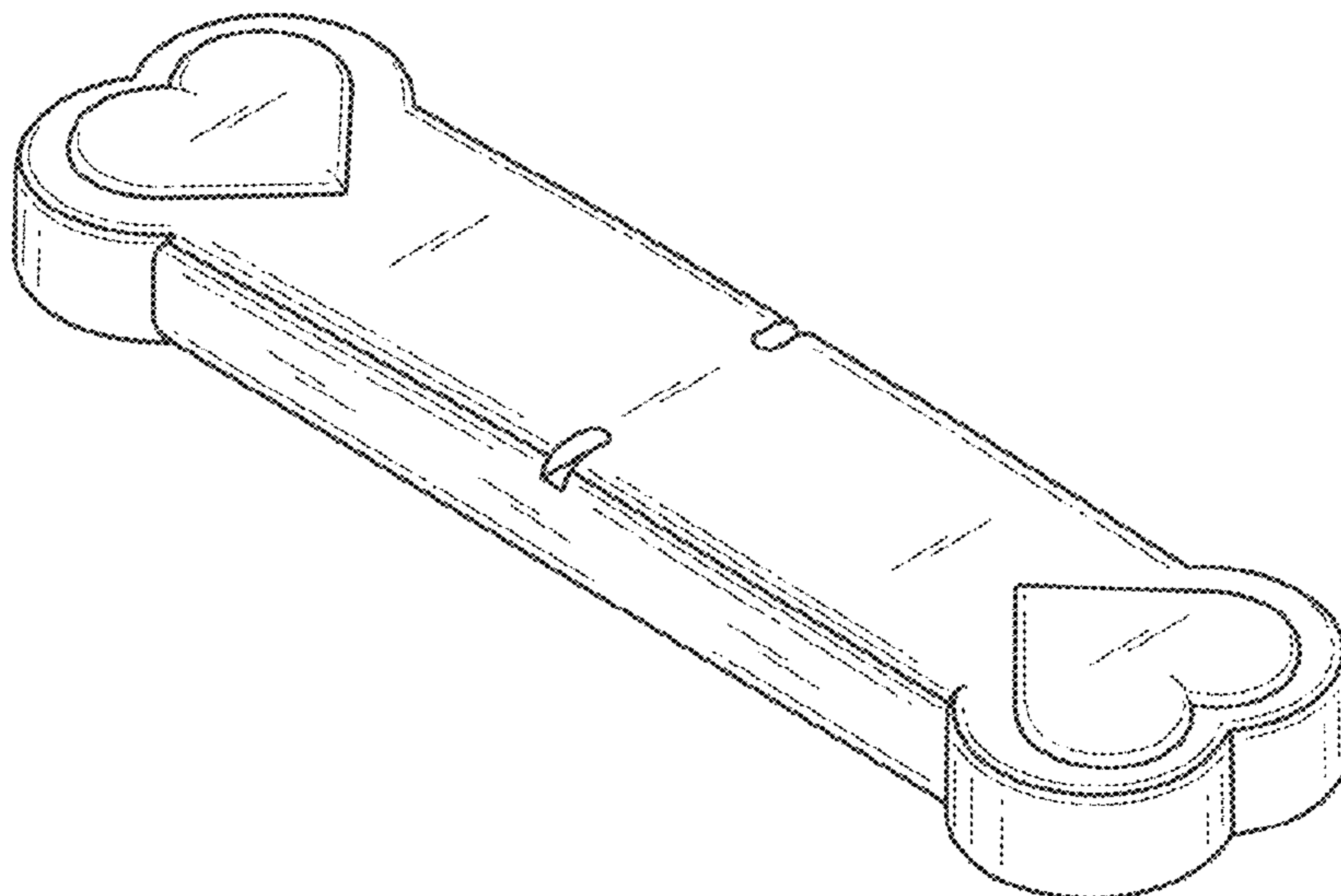
(56) **References Cited**

U.S. PATENT DOCUMENTS

D375,610 S *	11/1996	Loring	D1/112
D496,518 S *	9/2004	Tepper	D1/199
D523,591 S *	6/2006	Kreamer	D30/160
D551,977 S *	10/2007	Daniels	D9/456
D552,634 S *	10/2007	Janiszewski	D15/90
D620,226 S *	7/2010	Adkins	D1/106
D623,362 S *	9/2010	Man	D30/131
D631,636 S *	2/2011	Hague	D1/199
D658,348 S *	5/2012	McCleary	D1/199
D688,027 S *	8/2013	Smith	D1/106
D861,283 S *	10/2019	Axelrod	D1/199
2010/0260905 A1 *	10/2010	Axelrod	A23K 10/30 426/516

(Continued)

1 Claim, 12 Drawing Sheets



(56)

References Cited

U.S. PATENT DOCUMENTS

2013/0000564 A1* 1/2013 Beckhart A01K 5/0114
119/710

* cited by examiner

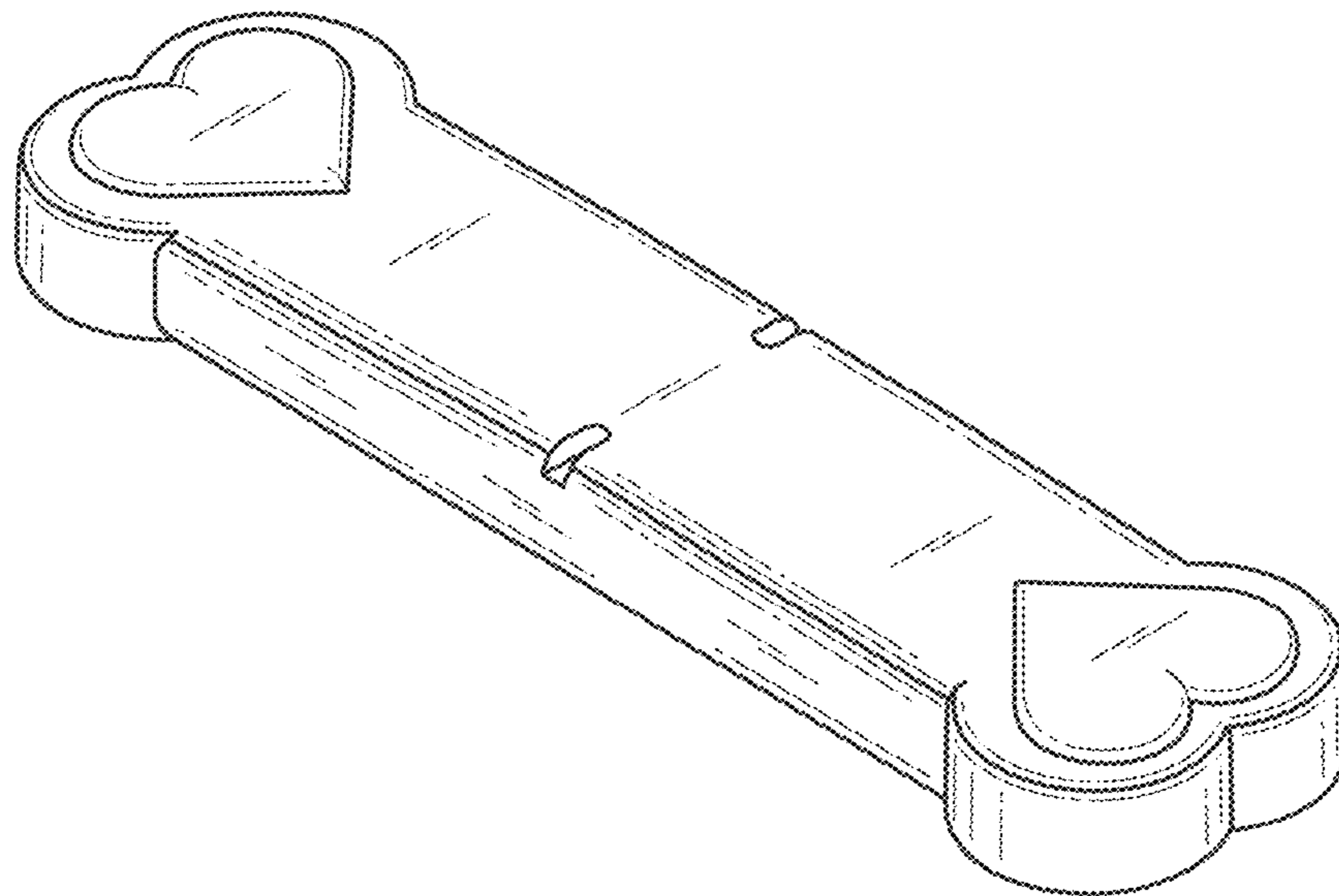


Fig. 1

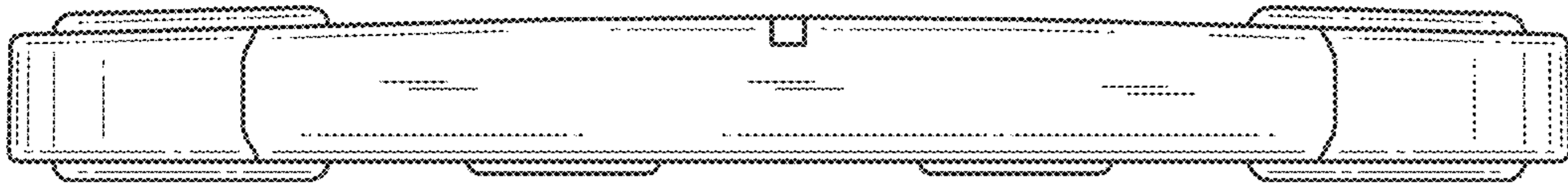


Fig. 2

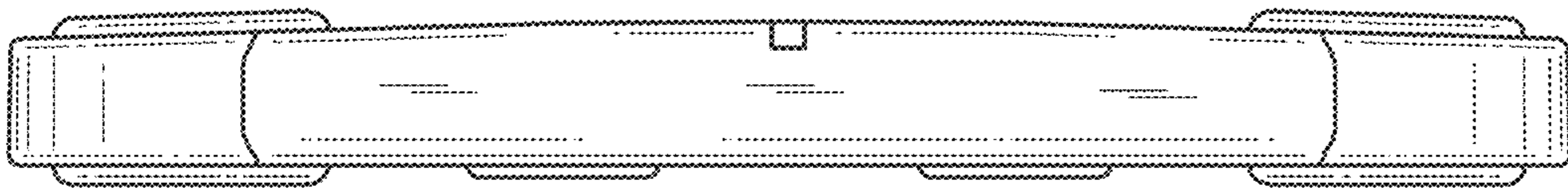


Fig. 3

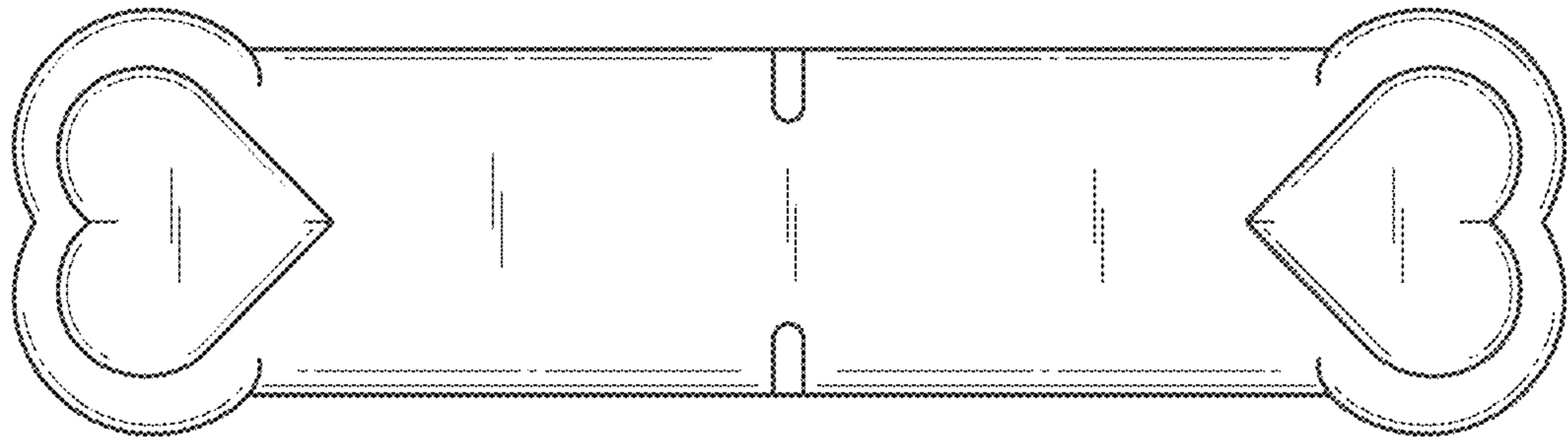


Fig. 4

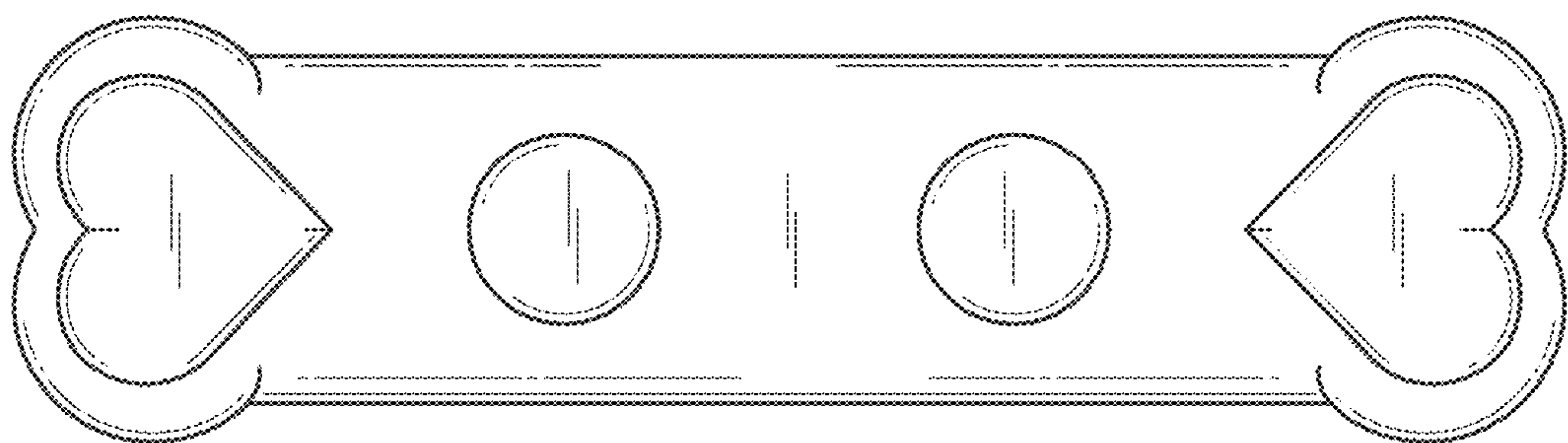


Fig. 5

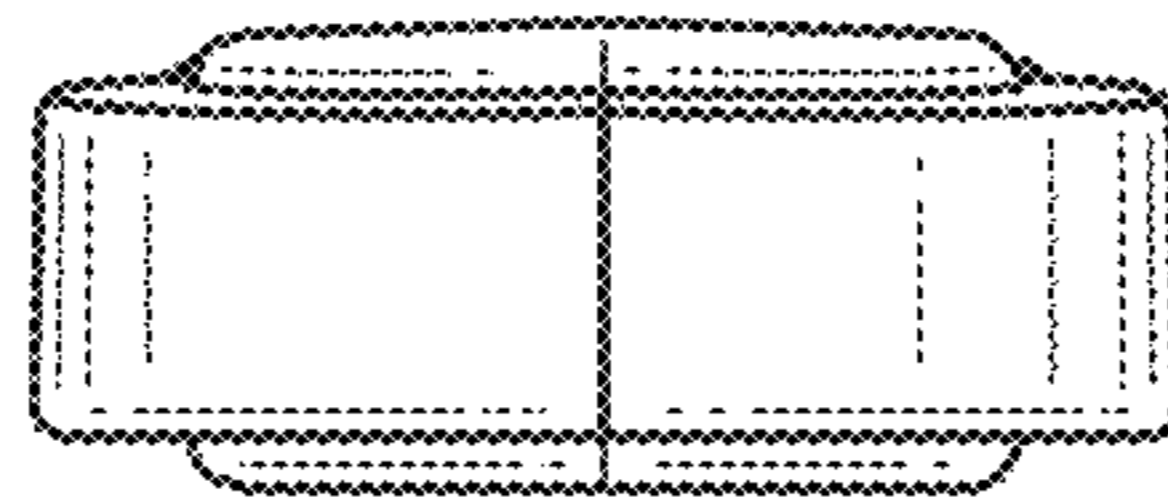


Fig. 6

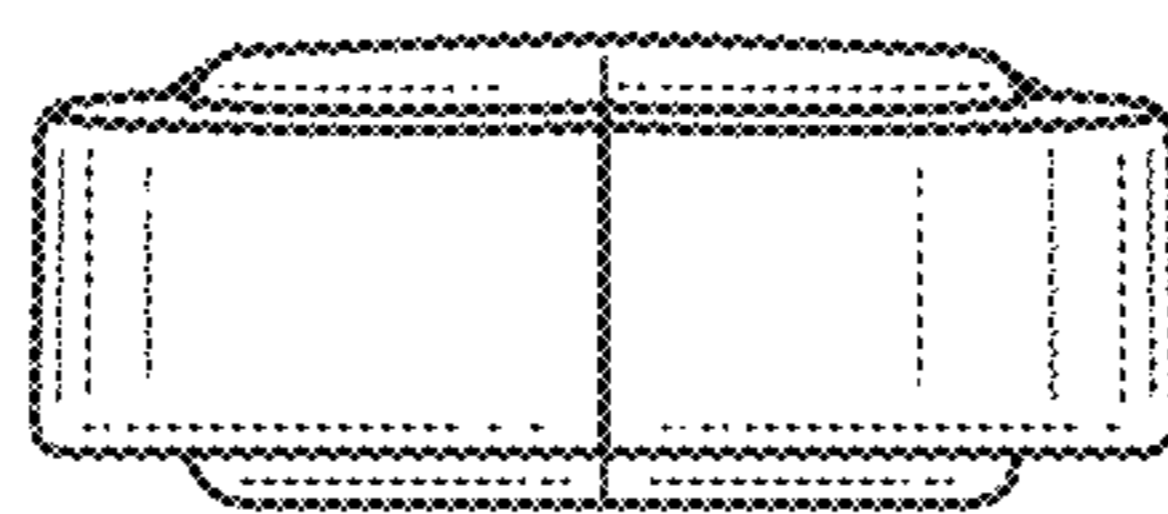


Fig. 7

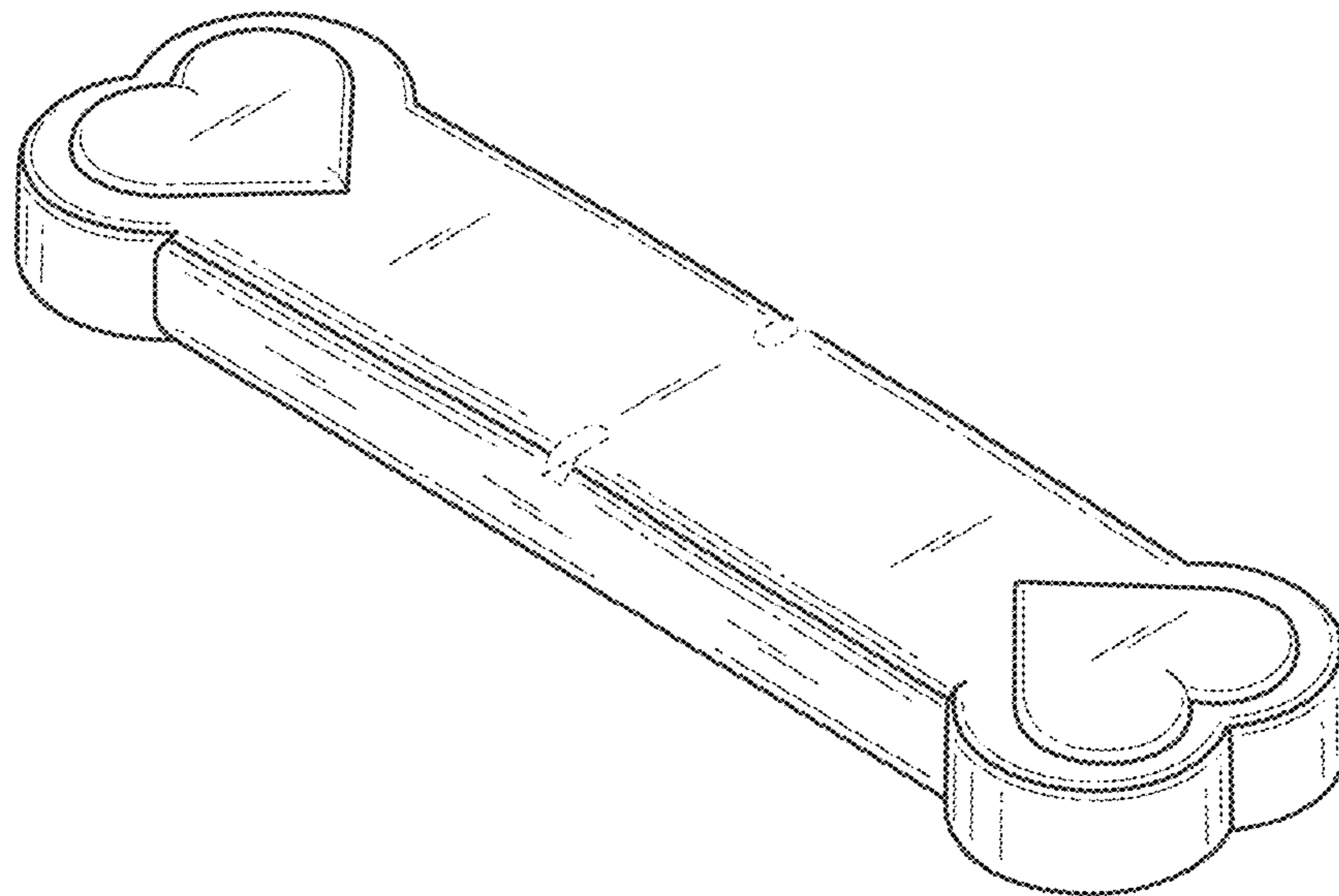


Fig. 8

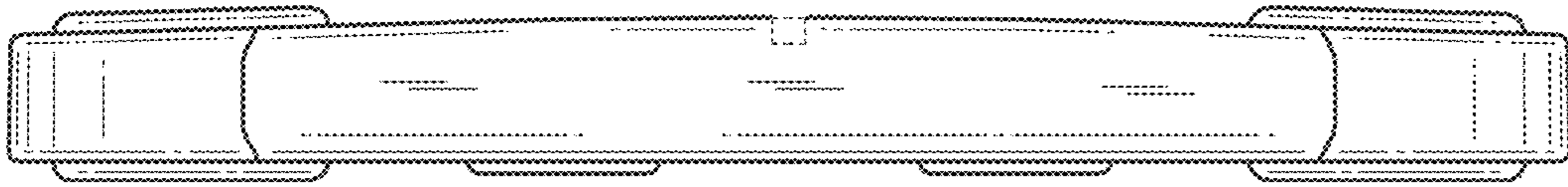


Fig. 9

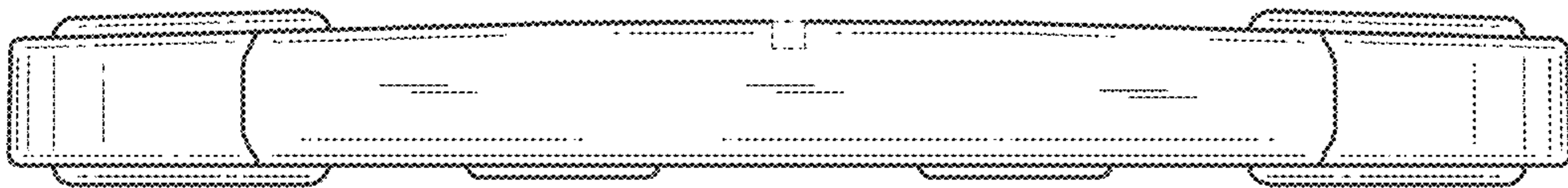


Fig. 10

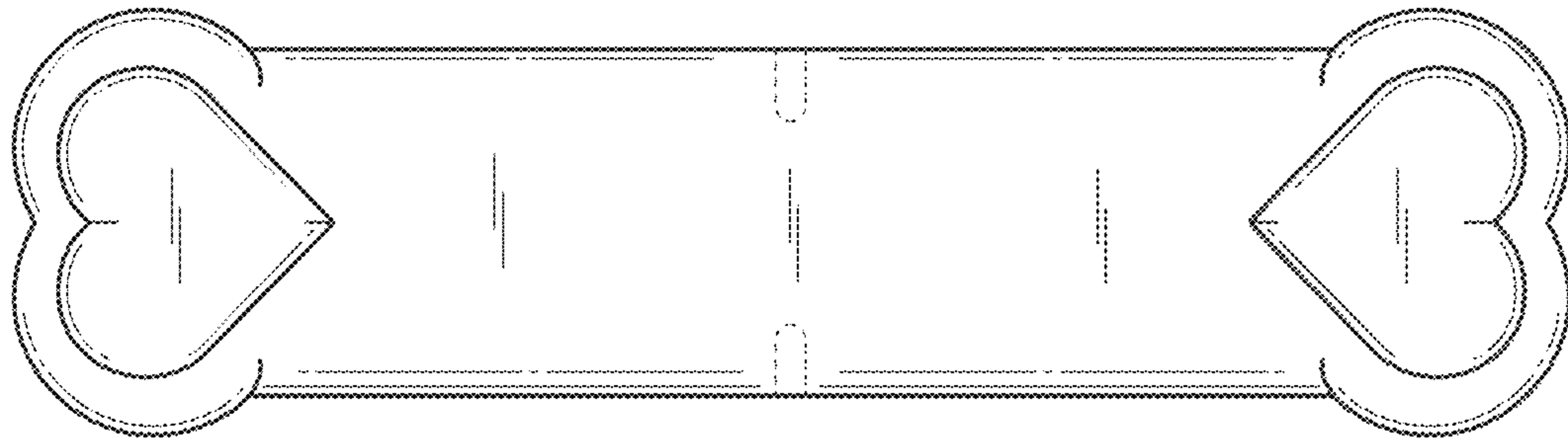


Fig. 11

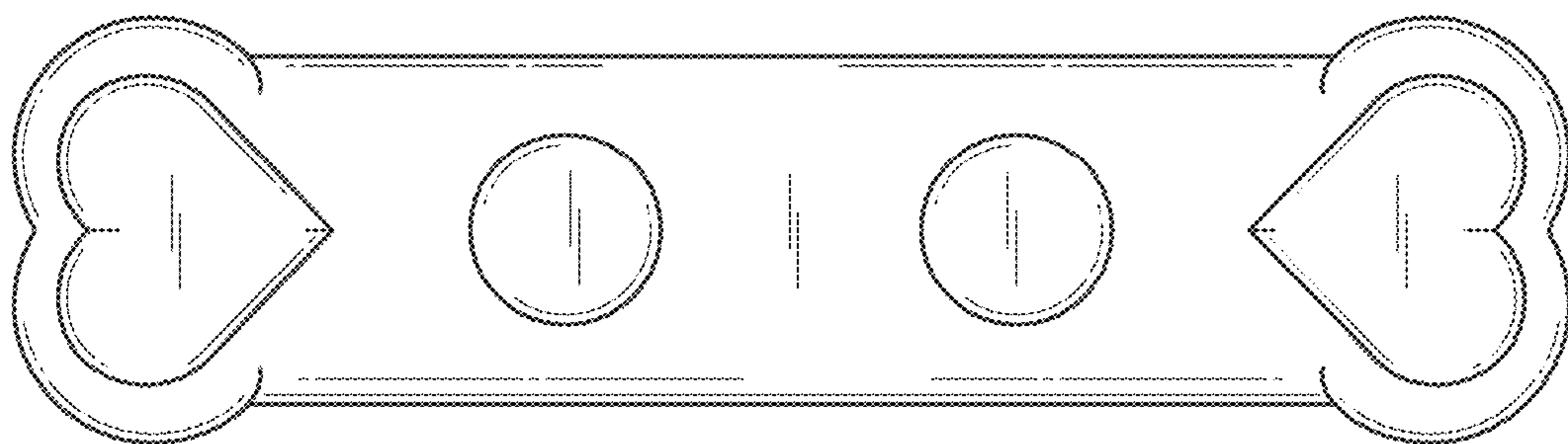


Fig. 12

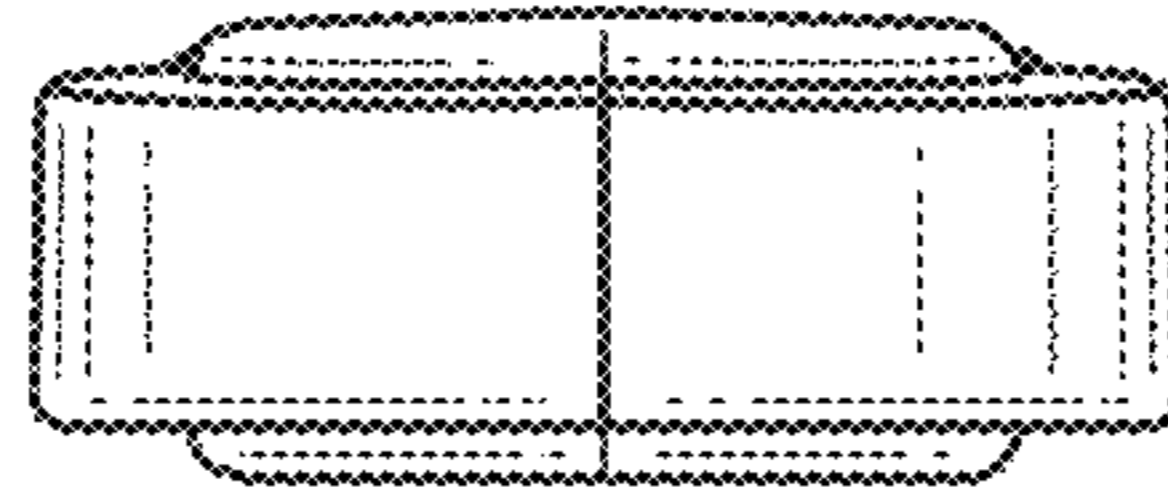


Fig. 13

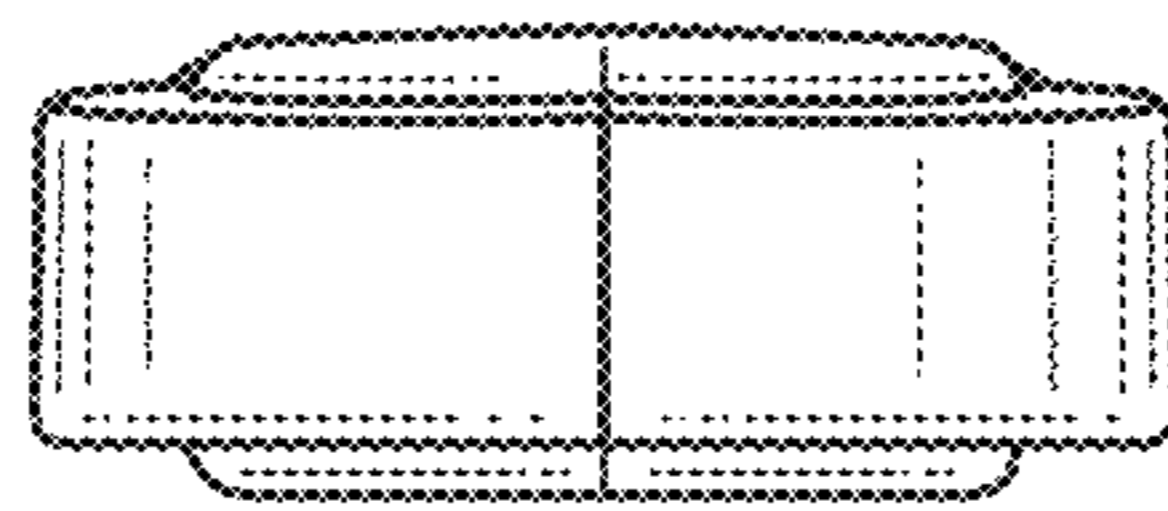


Fig. 14

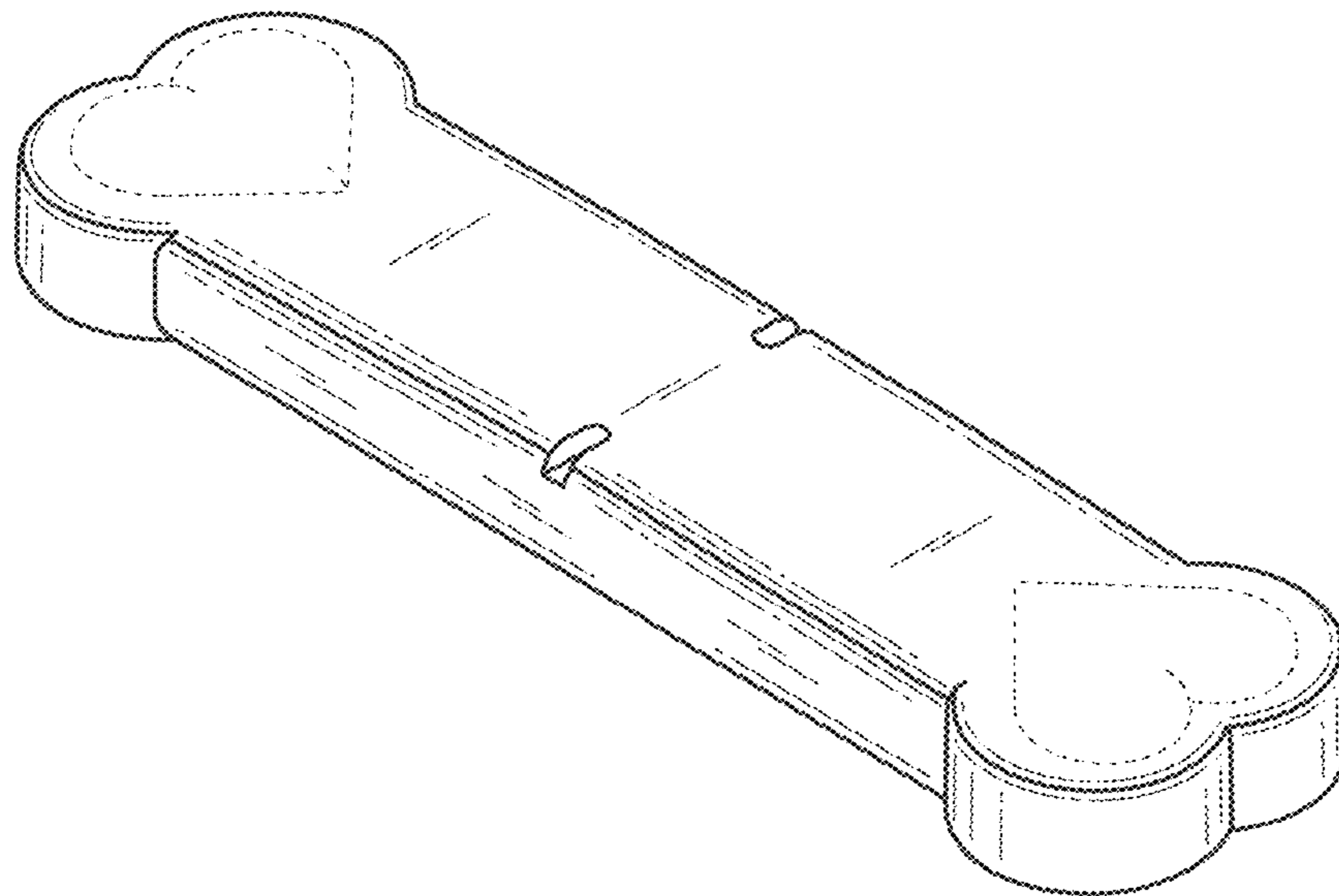


Fig. 15

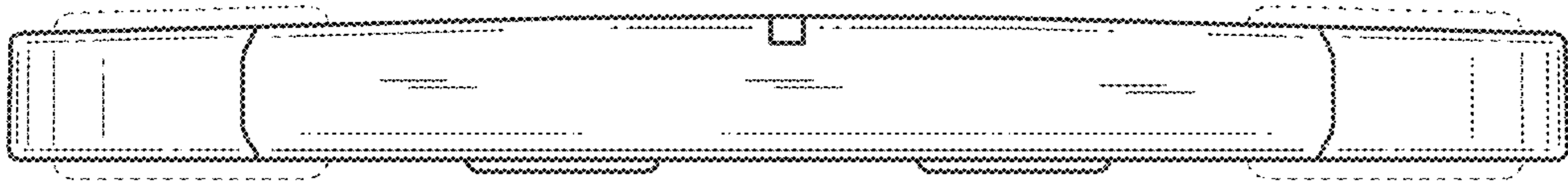


Fig. 16

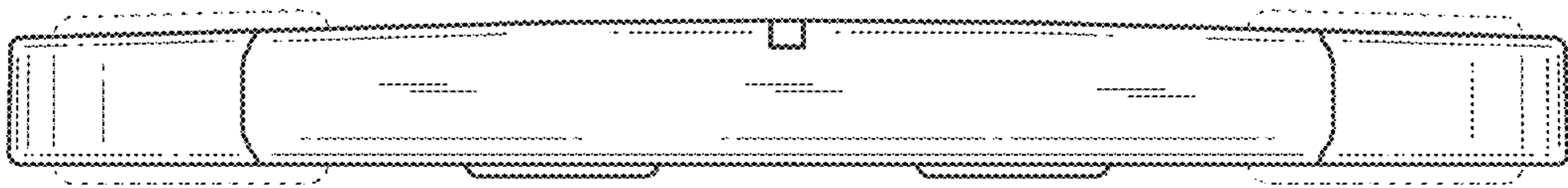


Fig. 17

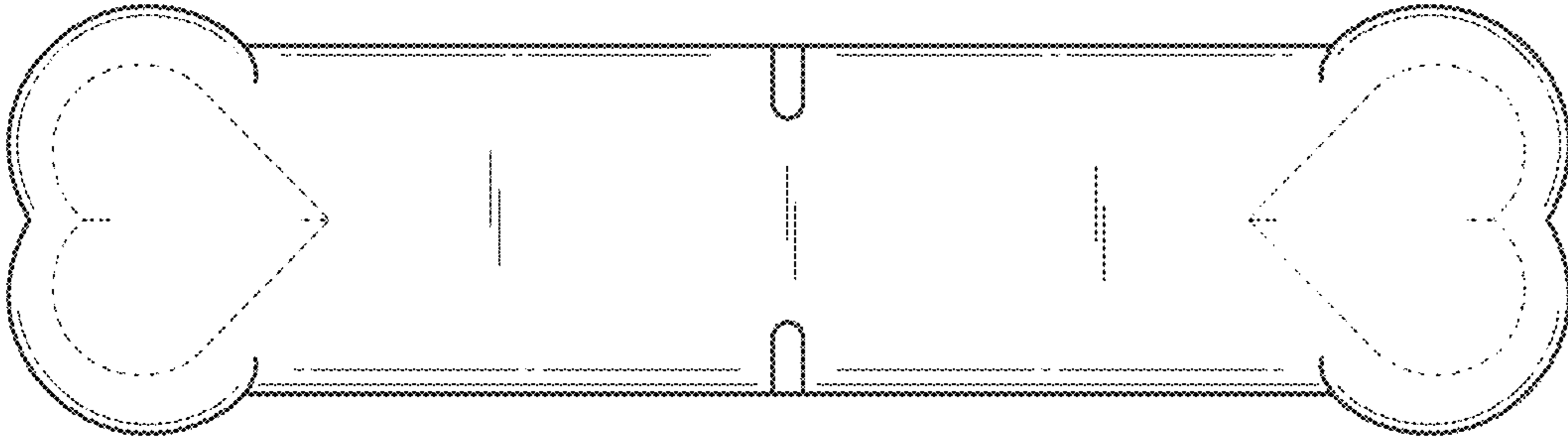


Fig. 18

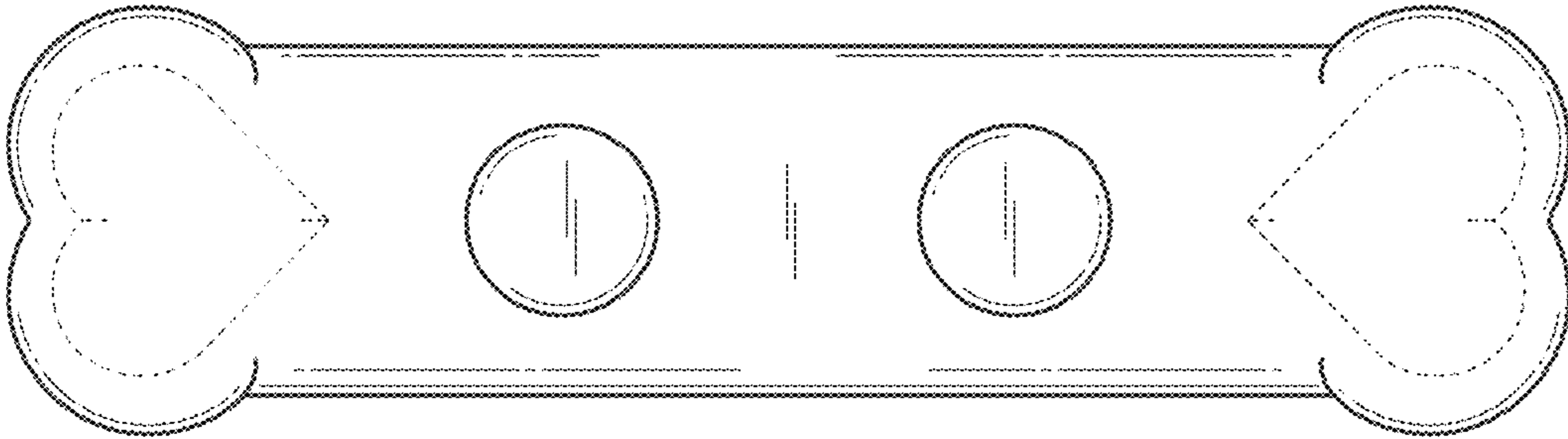


Fig. 19

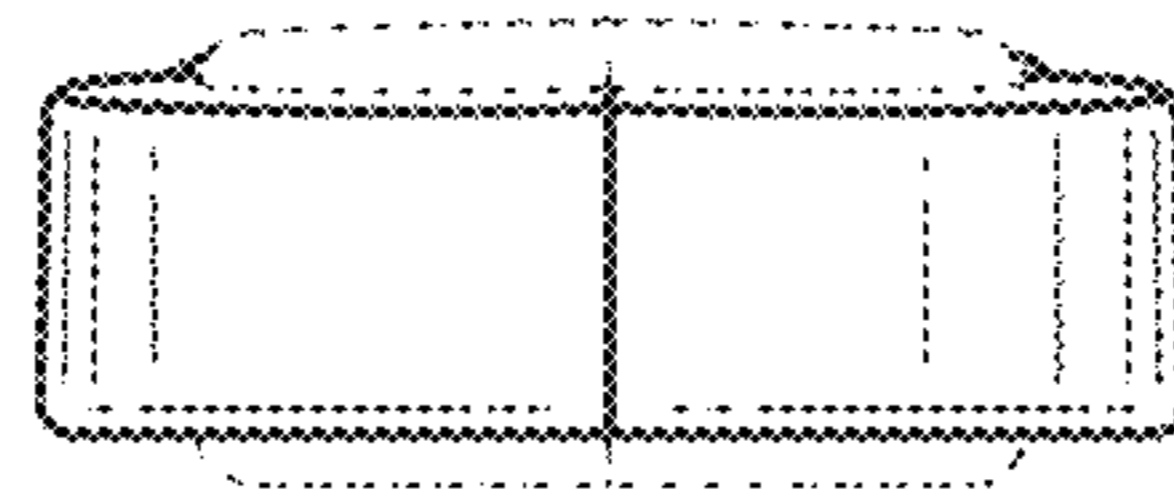


Fig. 20

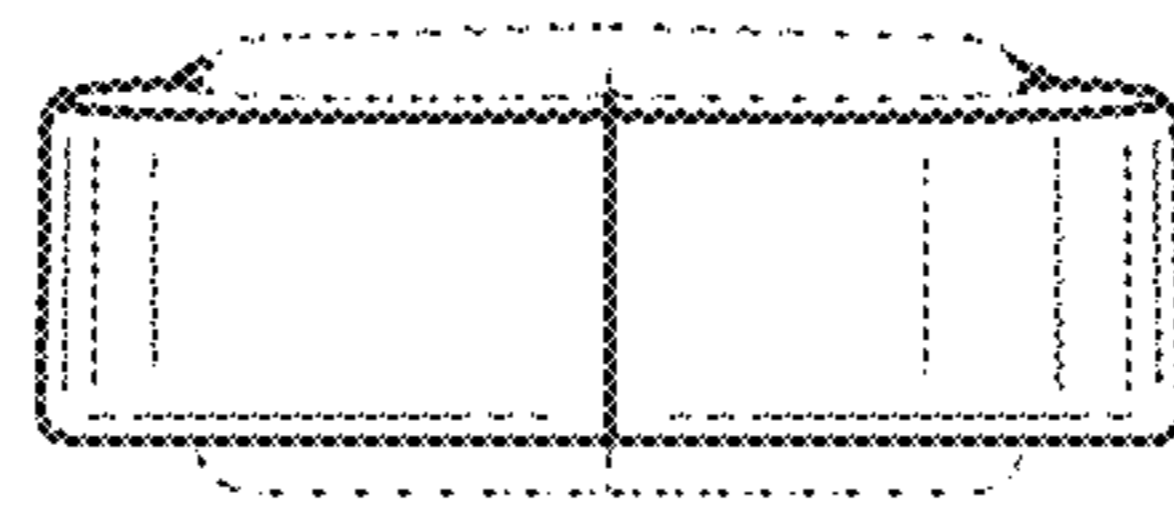


Fig. 21