

US00D971544S

(12) **United States Design Patent** (10) **Patent No.:** **US D971,544 S**
Cheng (45) **Date of Patent:** **** Nov. 29, 2022**

(54) **WHEEL FOR CARGO LIFT**
(71) Applicant: **Feng Cheng**, Zhejiang (CN)
(72) Inventor: **Feng Cheng**, Zhejiang (CN)
(**) Term: **15 Years**
(21) Appl. No.: **29/833,624**
(22) Filed: **Apr. 6, 2022**
(51) **LOC (13) Cl.** **12-02**
(52) **U.S. Cl.**
USPC **D34/23**
(58) **Field of Classification Search**
USPC D34/23, 28; D12/414.1
CPC B62B 5/0083; B62B 2205/10; B62B
2205/06; B62B 2202/403; B62B 5/067;
B62B 1/26; B62B 1/14; B62B 1/268;
B62B 2202/24; B62B 2202/42; B63C
13/00
See application file for complete search history.

8,162,329 B1 * 4/2012 Openshaw B62B 1/268
280/47.131
D676,623 S * 2/2013 Huntley D34/24
D706,683 S * 6/2014 Cohen D12/101
D720,912 S * 1/2015 Bruch D34/23
9,004,507 B1 * 4/2015 Nunley B62B 1/26
280/47.331
9,969,416 B2 * 5/2018 Tarrant B62B 5/0086
D865,611 S 11/2019 Interrante
D868,411 S * 11/2019 Kowalski D34/24
D929,067 S * 8/2021 Kowalski D34/24
D934,523 S * 10/2021 Houle D34/23
D965,245 S * 9/2022 Houle D34/23
D965,943 S * 10/2022 Hu D34/23
2014/0015211 A1 * 1/2014 Whitefield B62B 1/268
280/79.7
2018/0127013 A1 * 5/2018 Gerhardt B62K 23/00
2020/0148087 A1 * 5/2020 Leatherman B62B 5/0083

* cited by examiner

Primary Examiner — Cynthia Ramirez

(57) **CLAIM**

The ornamental design for a wheel for cargo lift, as shown and described.

DESCRIPTION

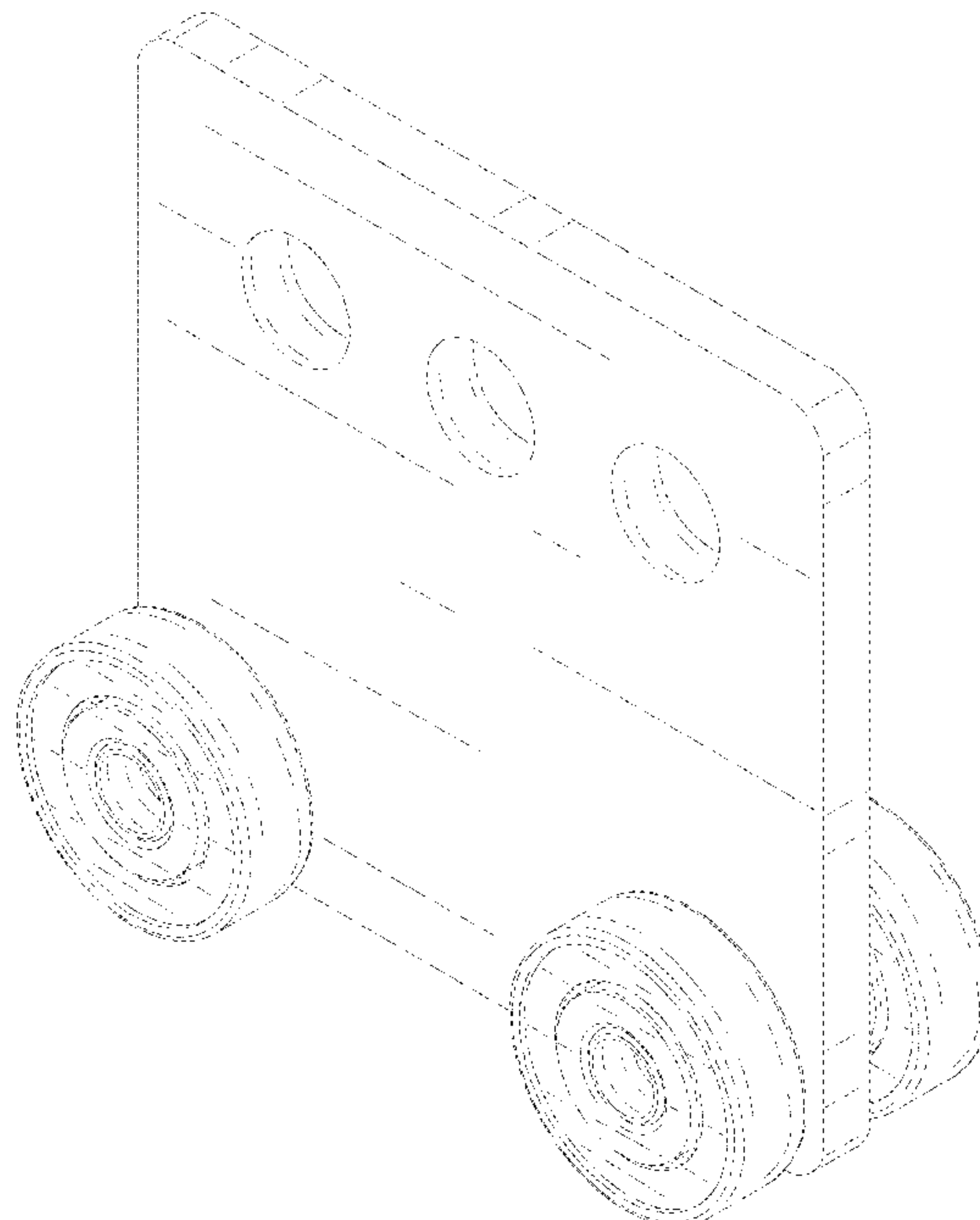
FIG. 1 is a front and top perspective view of a wheel for cargo lift, showing my new design;
FIG. 2 is a rear and bottom perspective view thereof;
FIG. 3 is a front elevation view thereof;
FIG. 4 is a rear elevation view thereof;
FIG. 5 is a left side elevation view thereof;
FIG. 6 is a right side elevation view thereof;
FIG. 7 is a top plan view thereof; and,
FIG. 8 is a bottom plan view thereof.
The broken lines in the figures illustrate portions of the wheel for cargo lift that form no part of the claimed design.

1 Claim, 8 Drawing Sheets

(56) **References Cited**

U.S. PATENT DOCUMENTS

3,406,985 A * 10/1968 Ballenger B63C 13/00
280/646
D237,786 S * 11/1975 Gilster D34/24
4,270,741 A * 6/1981 Hurst B25B 5/04
269/33
D310,894 S * 9/1990 Smith D34/24
D340,337 S * 10/1993 Beasley D34/23
6,209,893 B1 * 4/2001 Ferris B62B 5/0083
280/47.131
D476,129 S * 6/2003 Witt D34/23
6,866,274 B1 * 3/2005 Muscat B62B 5/0083
280/47.131
D550,921 S * 9/2007 McMorris D34/28



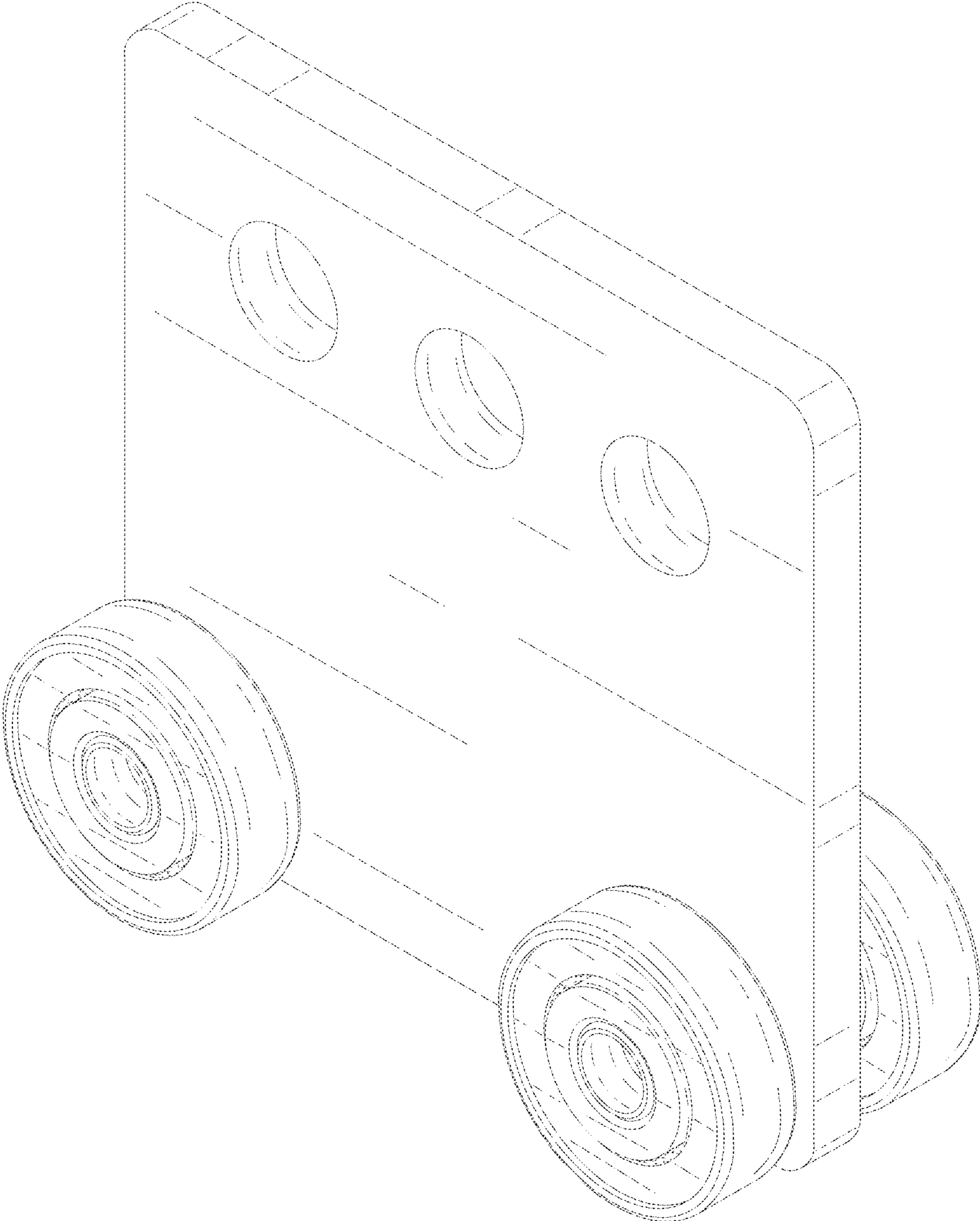


FIG. 1

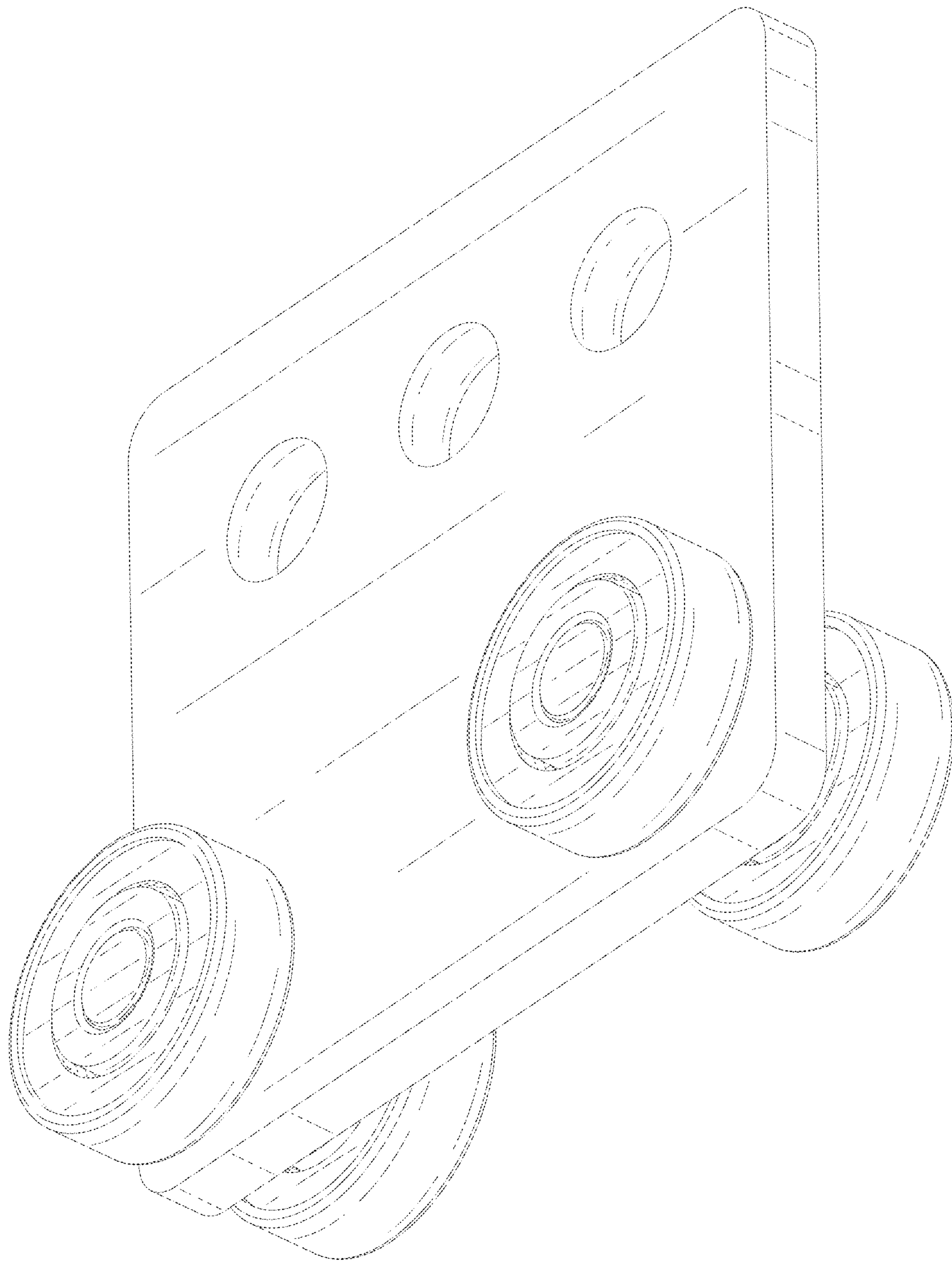


FIG. 2

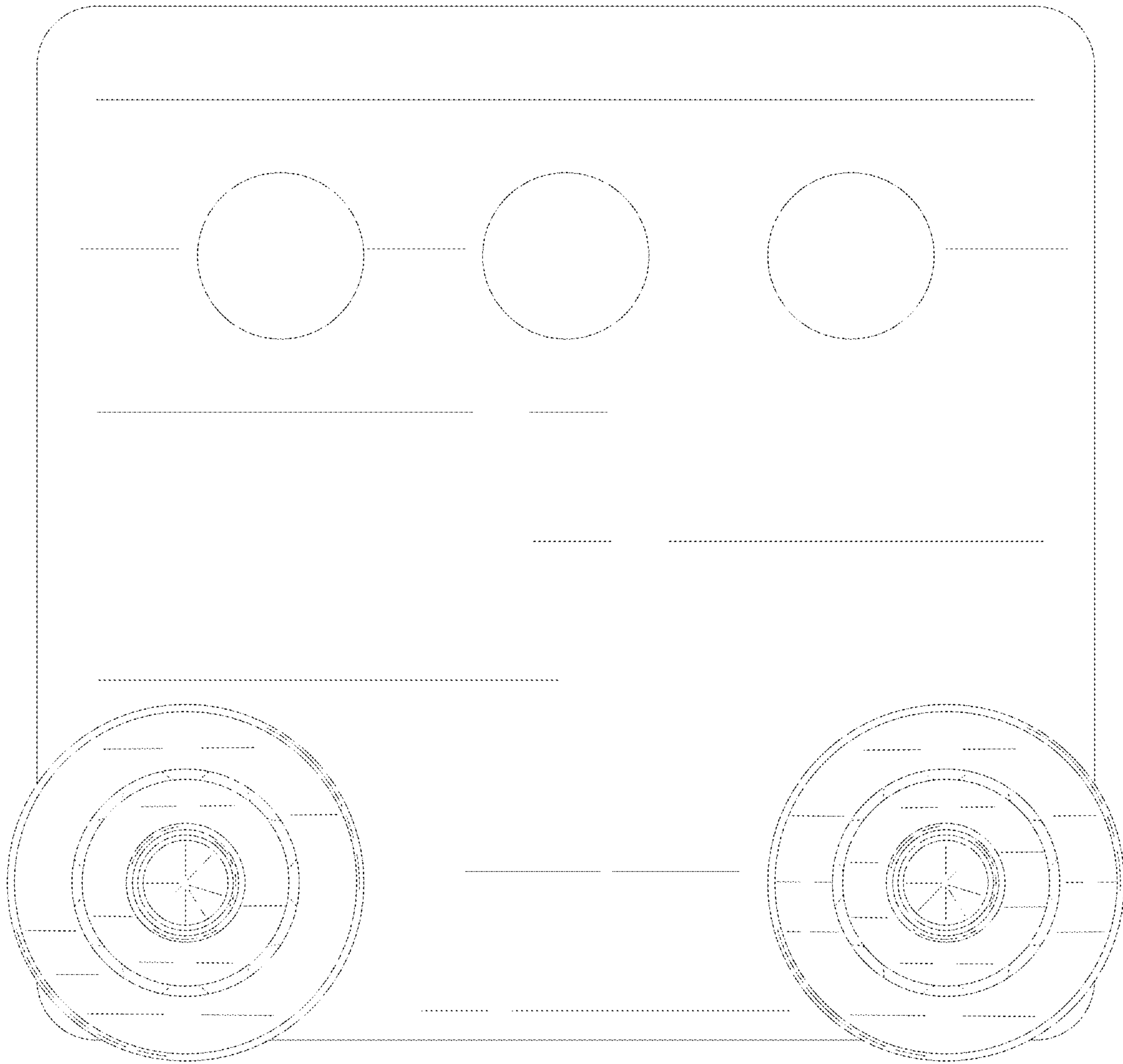


FIG. 3

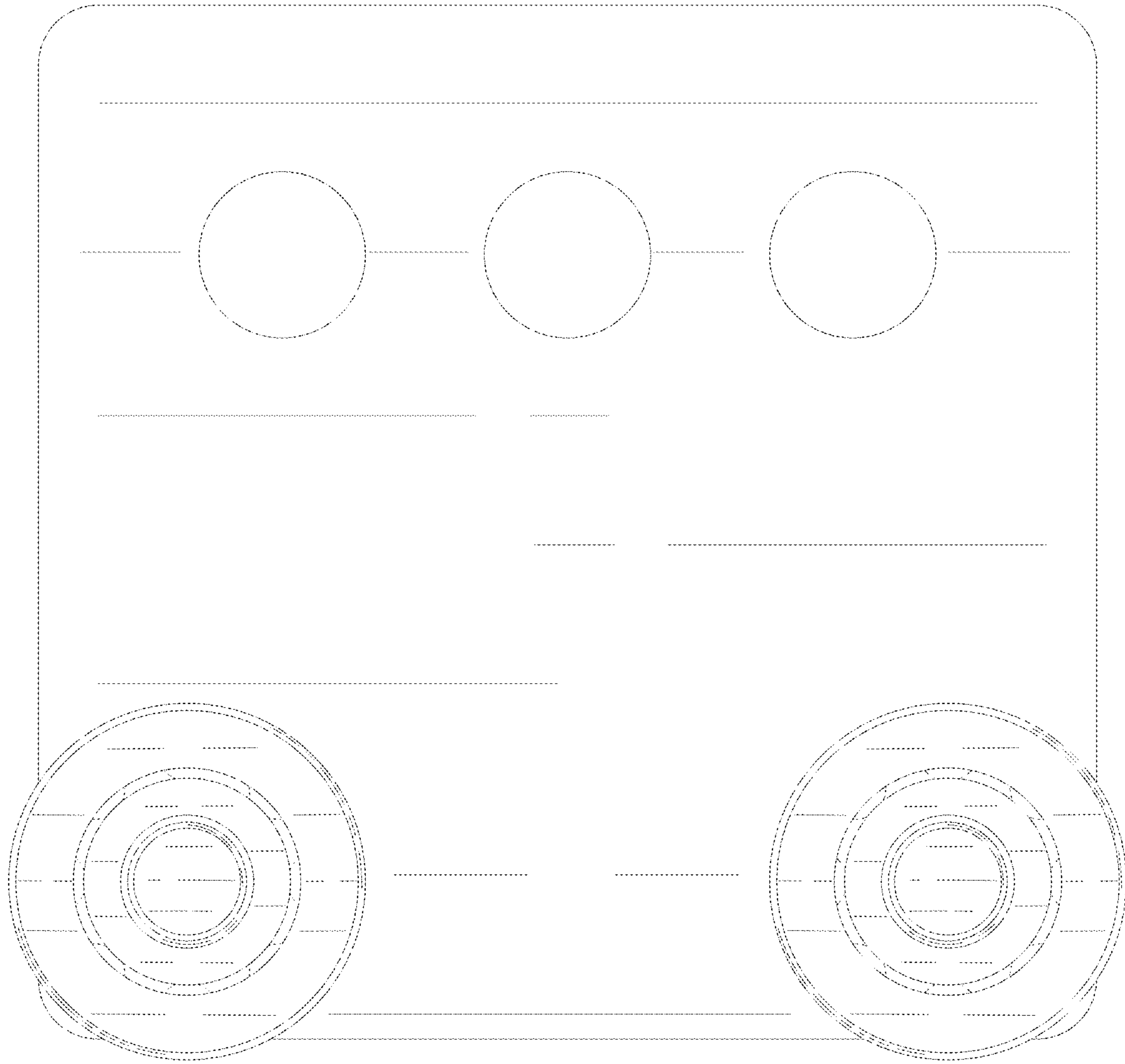


FIG. 4

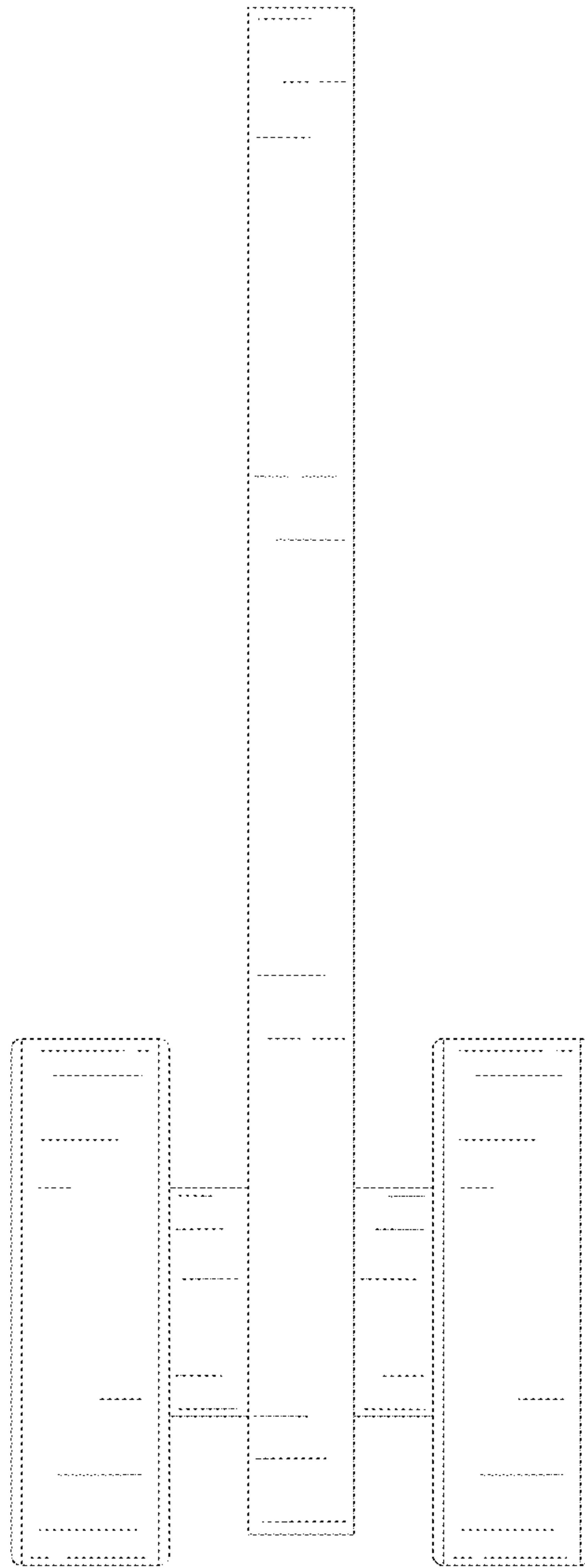


FIG. 5

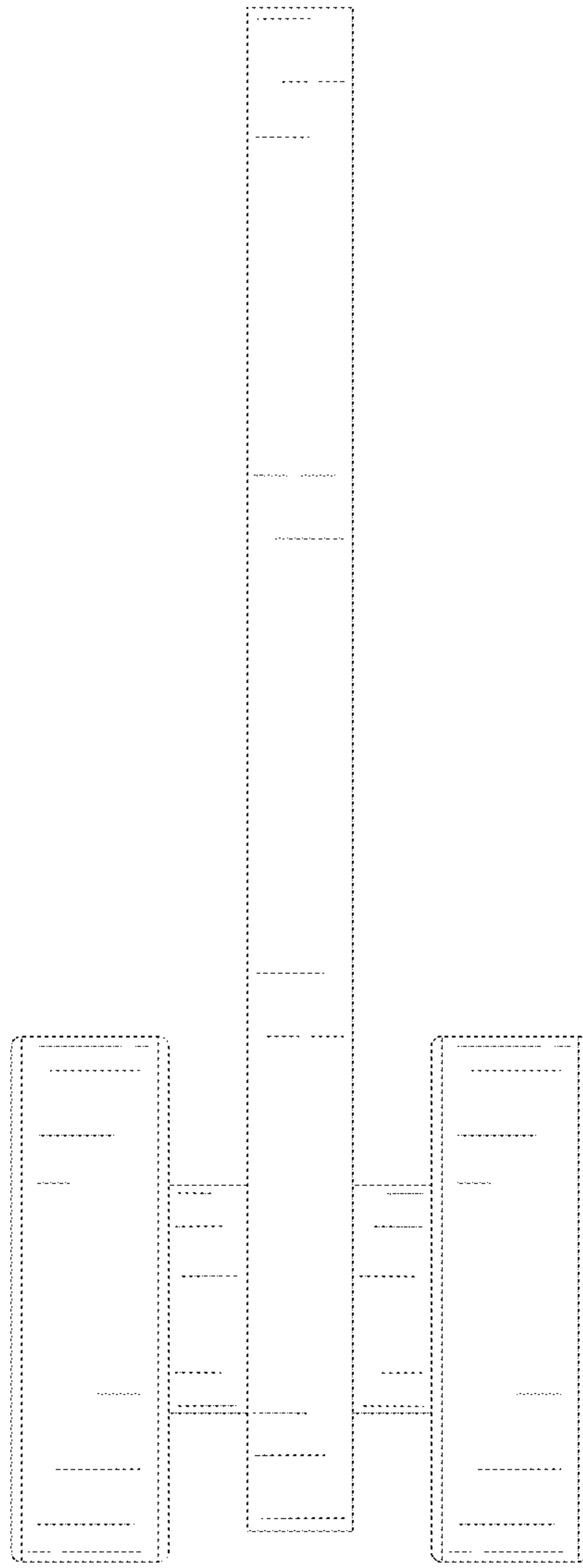


FIG. 6

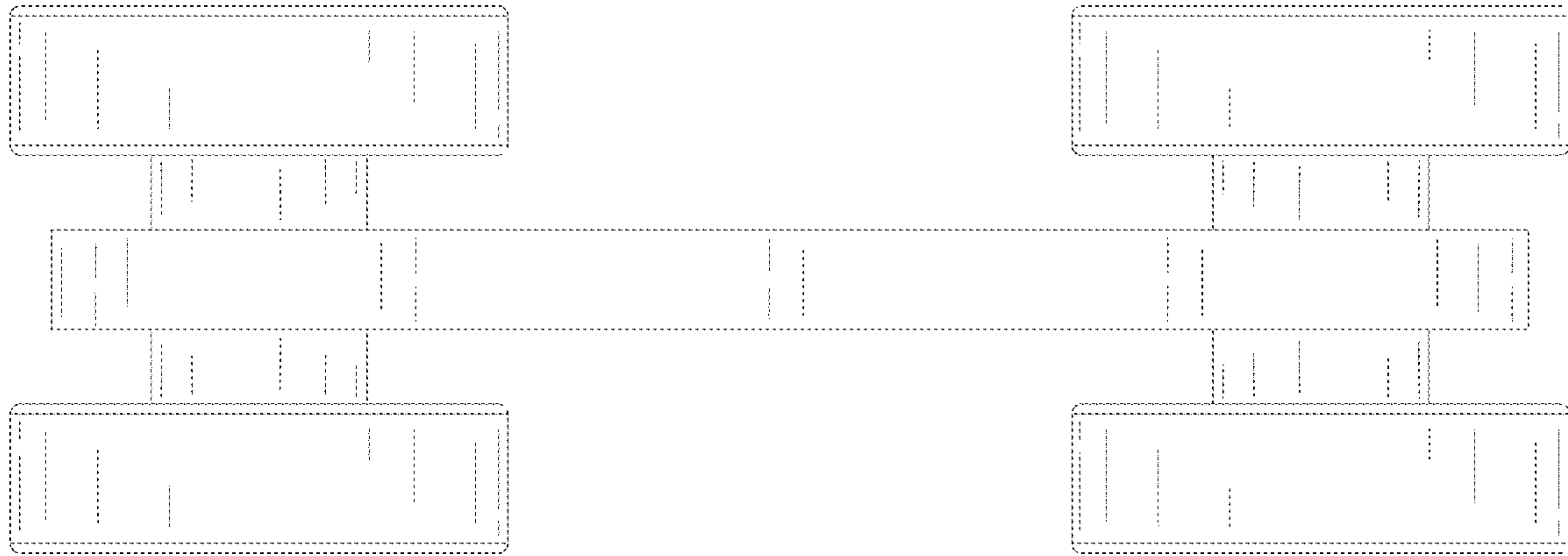


FIG. 7

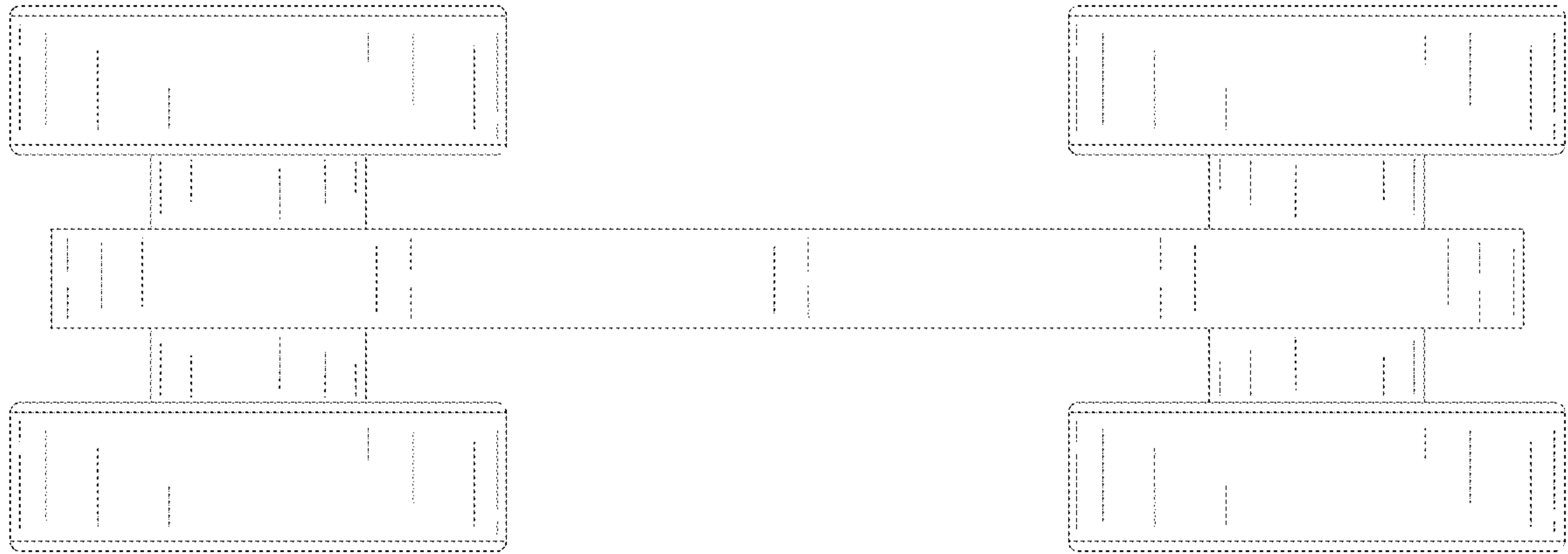


FIG. 8