



US00D971543S

(12) **United States Design Patent**
Lindsey et al.

(10) **Patent No.:** **US D971,543 S**

(45) **Date of Patent:** **** Nov. 29, 2022**

(54) **CART**

D383,583 S 9/1997 Ashinhurst
D406,354 S 3/1999 Horton
D409,810 S 5/1999 Ambrose
D683,513 S 5/2013 Wei et al.
D886,403 S 6/2020 Heck et al.

(71) Applicant: **Channel Products, Inc.**, Solon, OH
(US)

(72) Inventors: **Teresa Lindsey**, Bratenahl, OH (US);
Richard Pennell, Cleveland, OH (US);
Patrick W. Brown, Cleveland Heights,
OH (US); **Peter N. Whitworth**,
Northfield, OH (US); **Jamie A.**
Horvath, Twinsburh, OH (US)

Primary Examiner — Cynthia Ramirez
(74) *Attorney, Agent, or Firm* — Tucker Ellis LLP;
Heather M. Barnes; Michael G. Craig

(73) Assignee: **Channel Products, Inc.**, Solon, OH
(US)

(**) Term: **15 Years**

(21) Appl. No.: **29/820,112**

(22) Filed: **Dec. 20, 2021**

Related U.S. Application Data

(63) Continuation of application No. 29/727,533, filed on
Mar. 11, 2020, now Pat. No. Des. 939,177.

(51) **LOC (13) Cl.** **12-02**

(52) **U.S. Cl.**
USPC **D34/14; D34/27**

(58) **Field of Classification Search**
USPC D34/12, 14, 17, 19, 20, 21, 25
CPC .. B62B 1/00; B62B 1/008; B62B 1/12; B62B
3/002; B62B 3/006; B62B 3/02; B62B
3/10; B62B 5/0083
See application file for complete search history.

(56) **References Cited**

U.S. PATENT DOCUMENTS

D185,939 S 8/1959 Frick
D234,078 S 1/1975 Emanuele
D254,468 S 3/1980 Cox
D272,111 S 1/1984 Anzalone

(57) **CLAIM**

The ornamental design for a cart, as shown and described.

DESCRIPTION

FIG. 1 is a front-top-left perspective view of a cart showing
our new design, wherein the design is in an extended
configuration;

FIG. 2 is a front-top-right perspective view thereof;

FIG. 3 is a rear-top-right perspective view thereof;

FIG. 4 is a rear-top-left perspective view thereof;

FIG. 5 is a front-bottom-left perspective view thereof;

FIG. 6 is a front-bottom-right perspective view thereof;

FIG. 7 is a rear-bottom-right perspective view thereof;

FIG. 8 is a rear-bottom-left perspective view thereof;

FIG. 9 is a front view thereof;

FIG. 10 is a rear view thereof;

FIG. 11 is a left view thereof;

FIG. 12 is a right view thereof;

FIG. 13 is a top view thereof;

FIG. 14 is a bottom view thereof;

FIG. 15 is a front-top-left perspective view of the cart
showing our new design, wherein the design is in a folded
configuration;

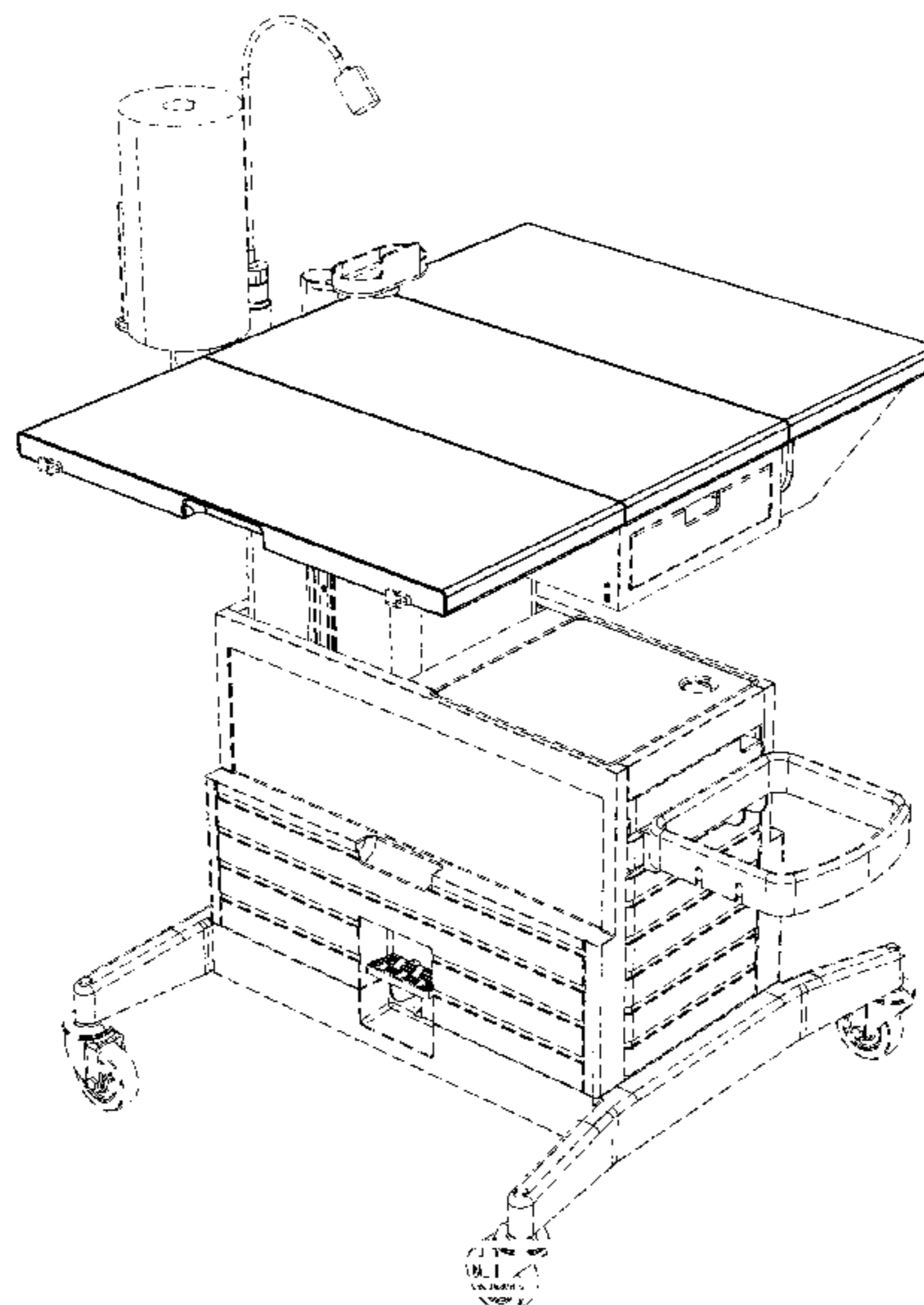
FIG. 16 is a rear-top-left perspective view thereof;

FIG. 17 is a front-bottom-left perspective view thereof; and,

FIG. 18 is a rear-bottom-left perspective view thereof.

The broken lines in the figures show portions of the cart
which form no part of the claimed design.

1 Claim, 18 Drawing Sheets



(56)

References Cited

U.S. PATENT DOCUMENTS

D927,116 S	8/2021	Demartini	
D939,177 S *	12/2021	Lindsey	D34/14
2020/0297109 A1 *	9/2020	Wise	B25H 1/04
2021/0068532 A1 *	3/2021	Blewett	A47B 9/20
2021/0284215 A1 *	9/2021	Lindsey	B62B 3/02

* cited by examiner

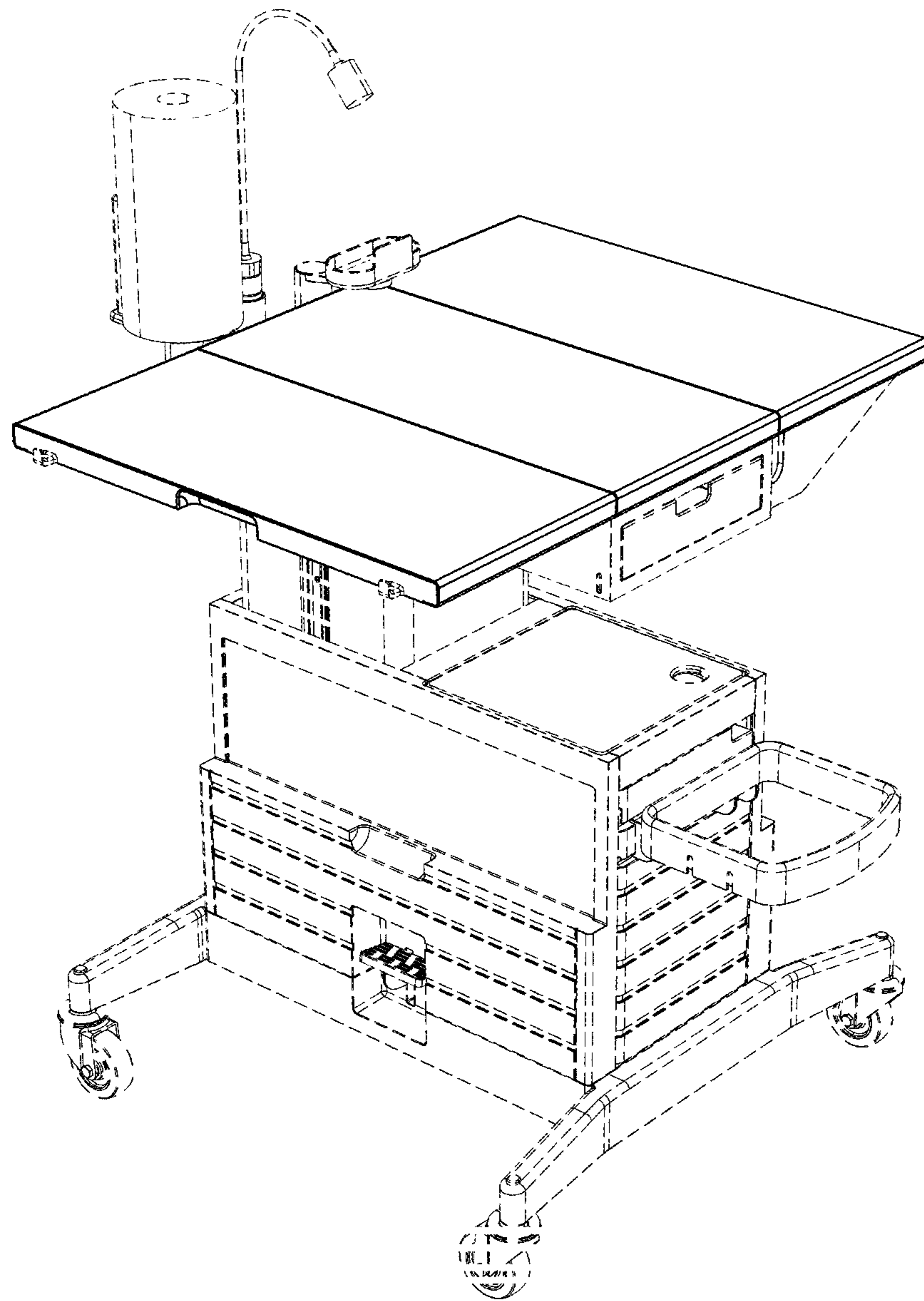


FIG. 1

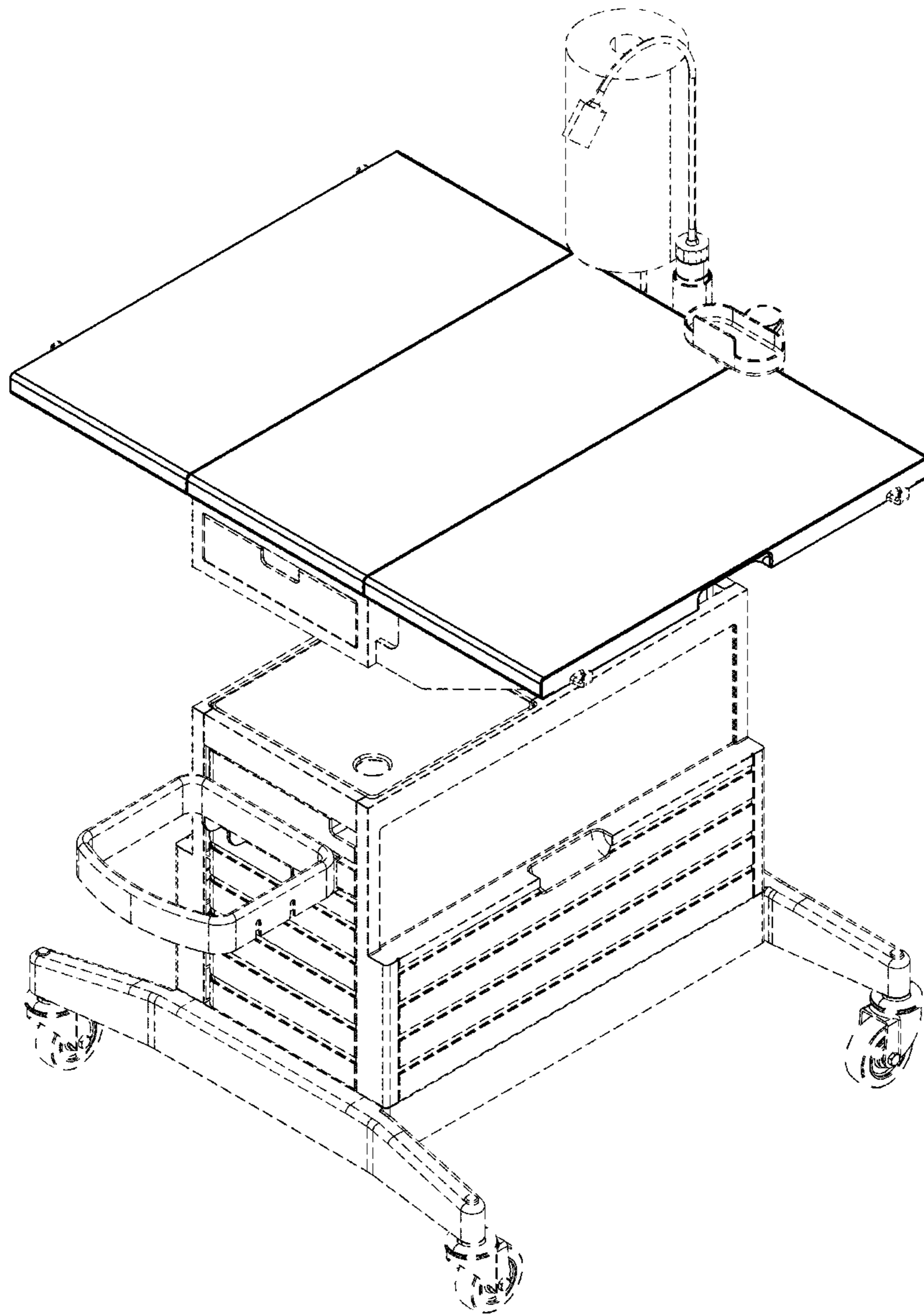


FIG. 2

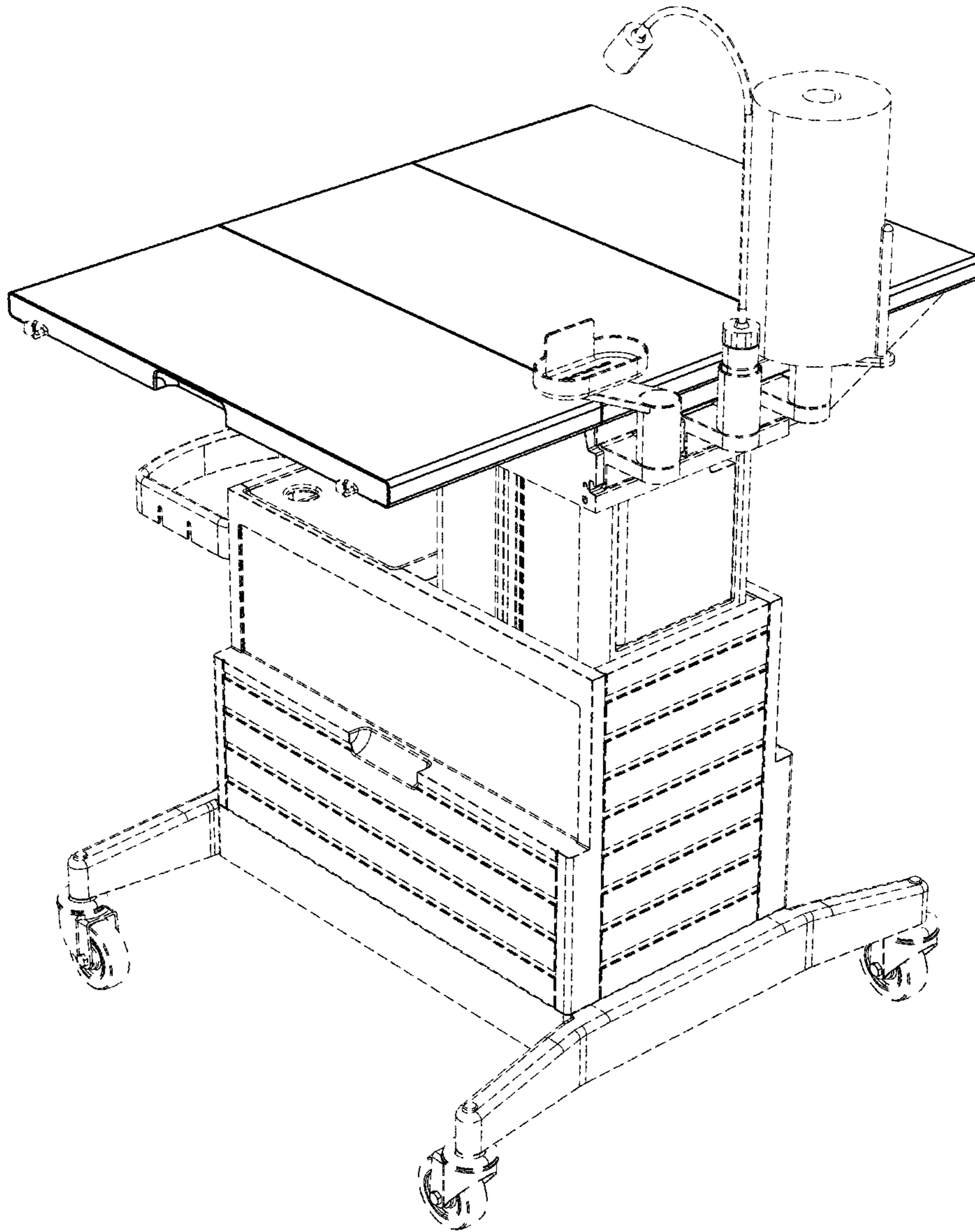


FIG. 3

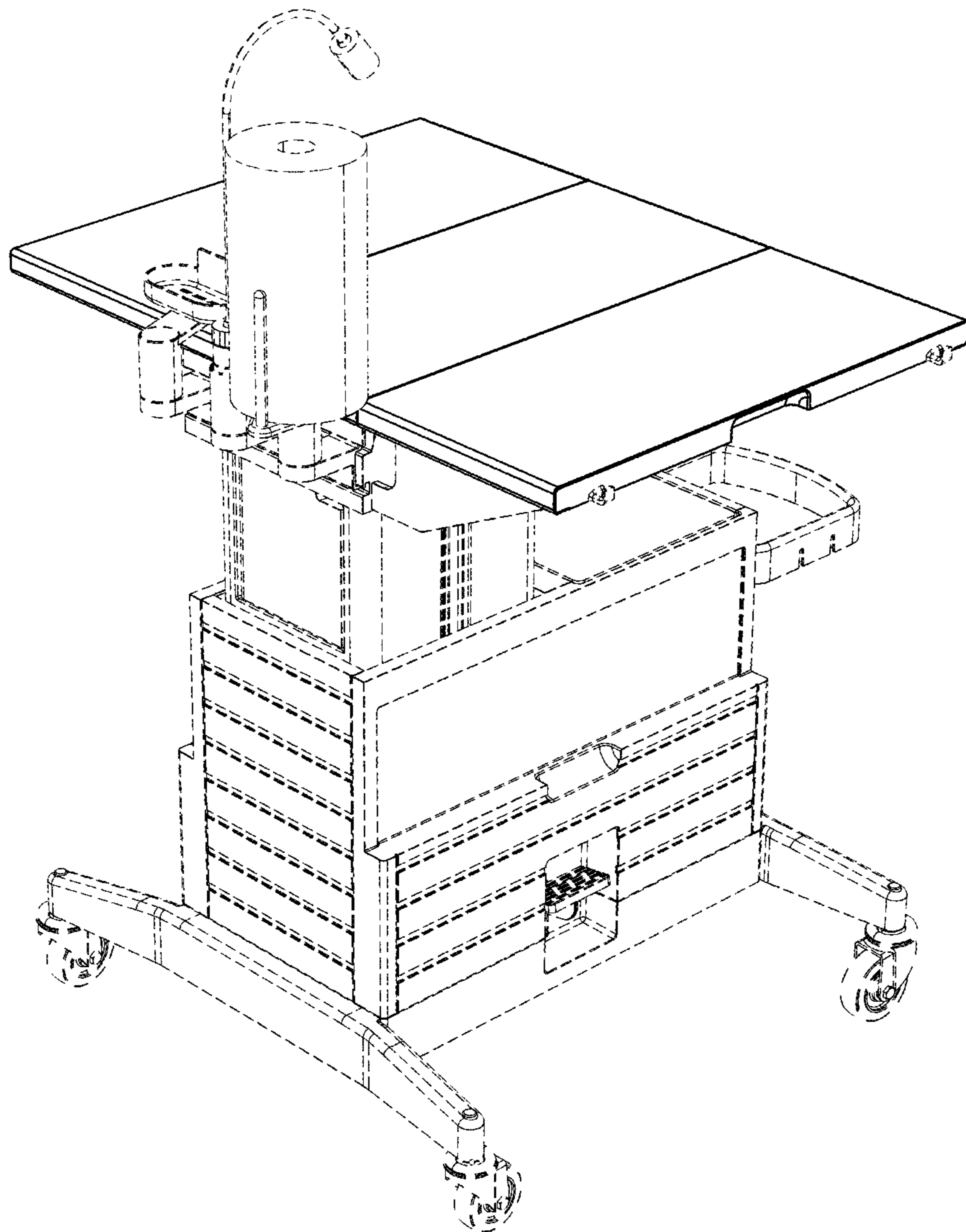


FIG. 4

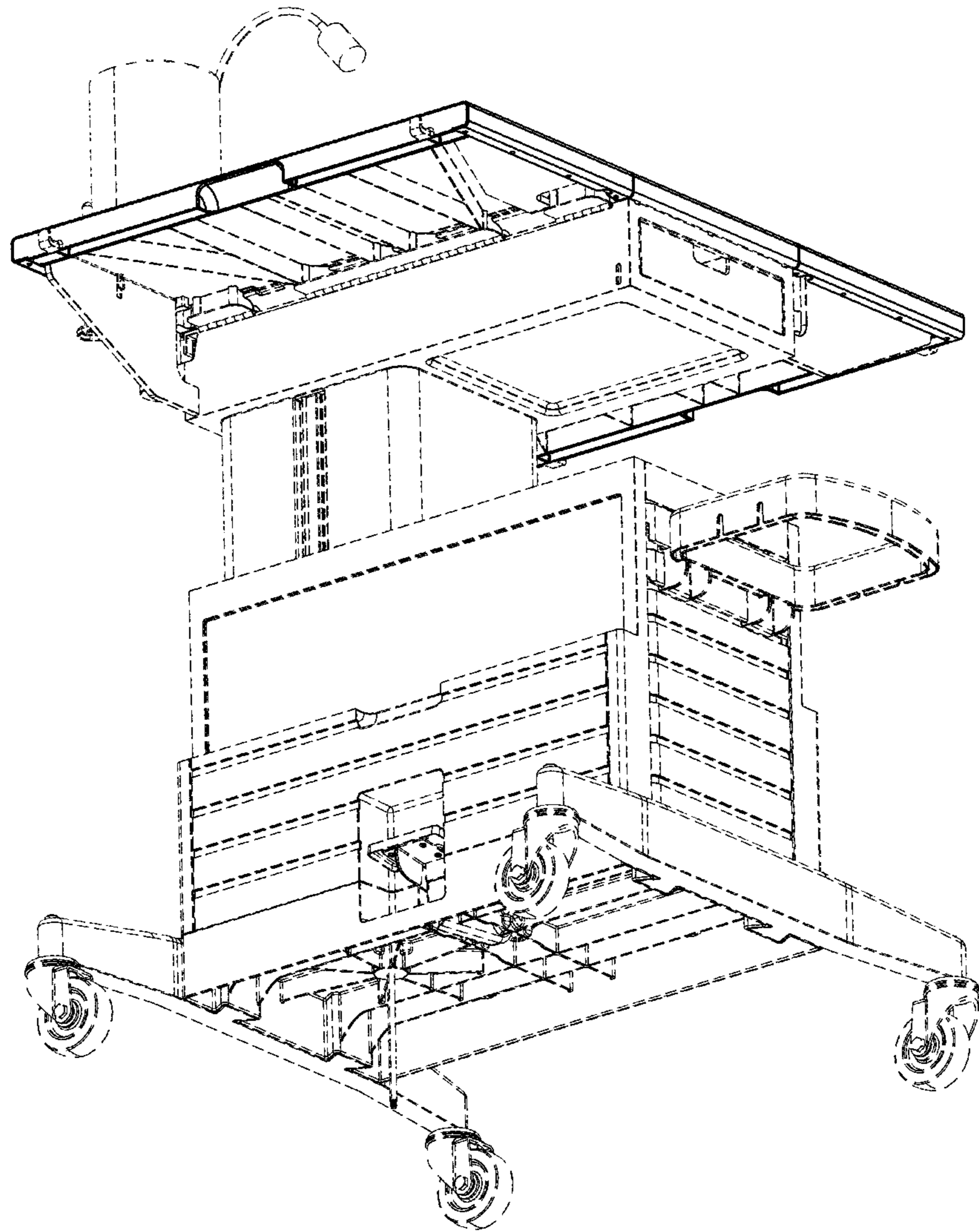


FIG. 5

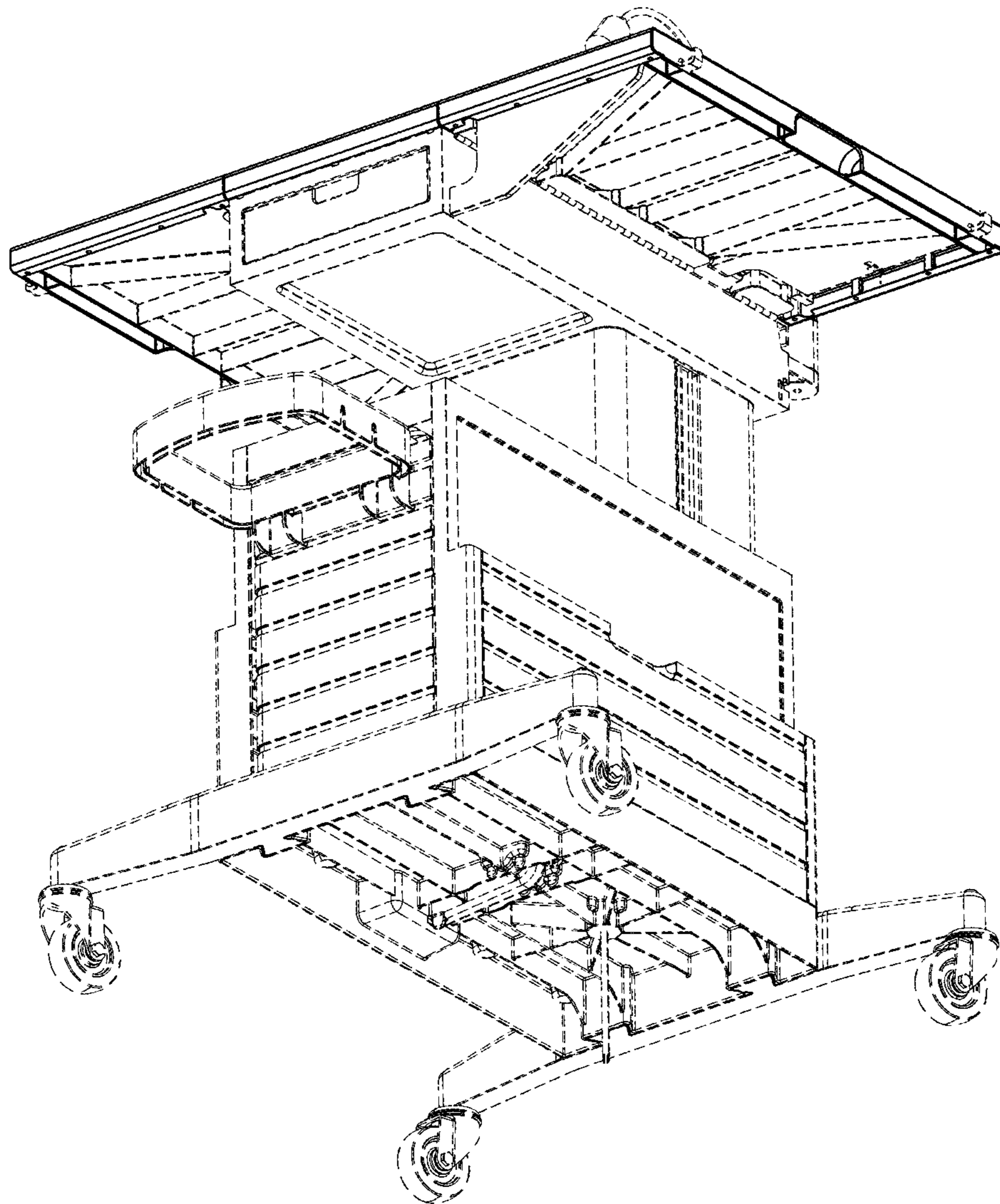


FIG. 6

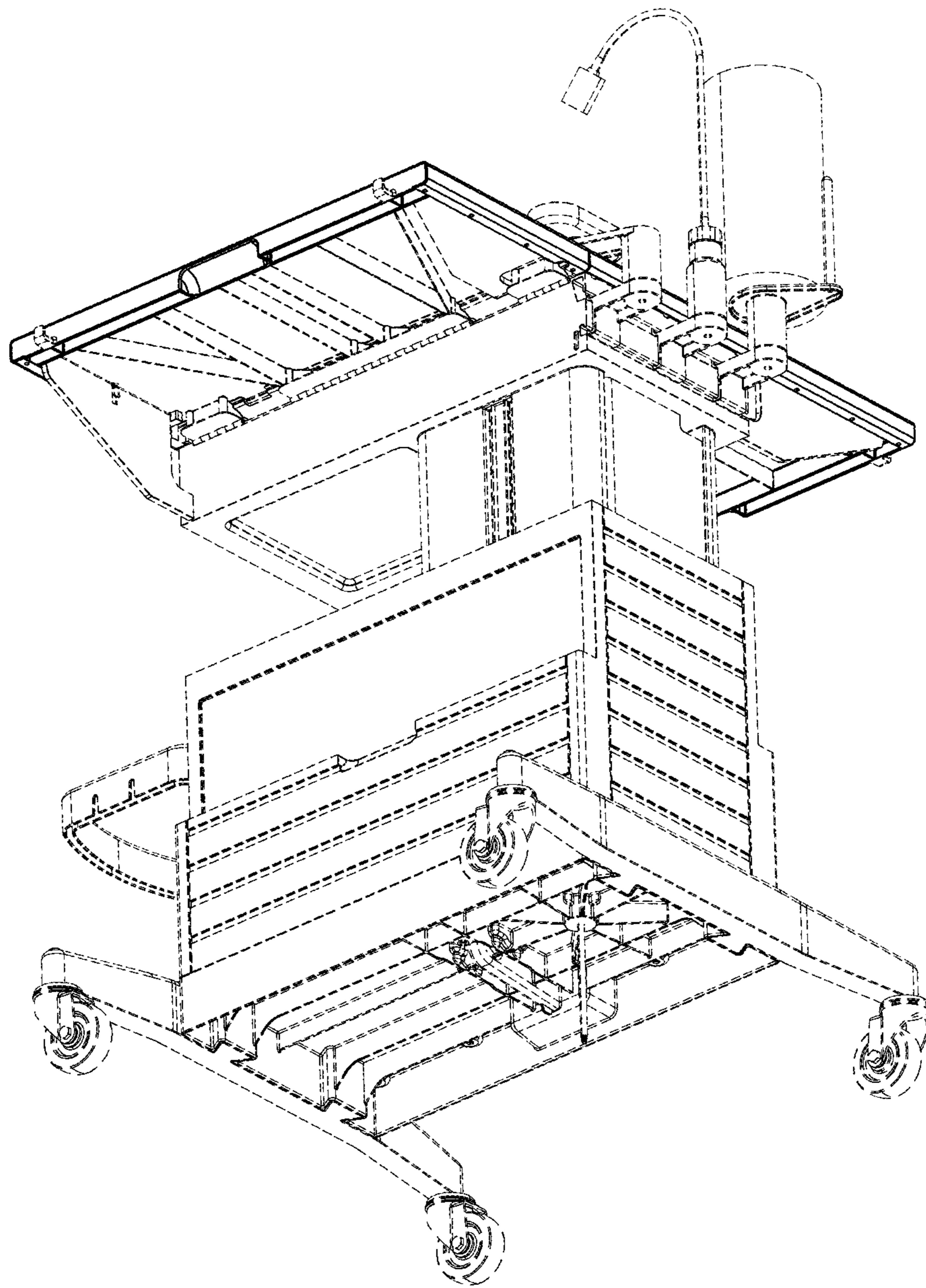


FIG. 7

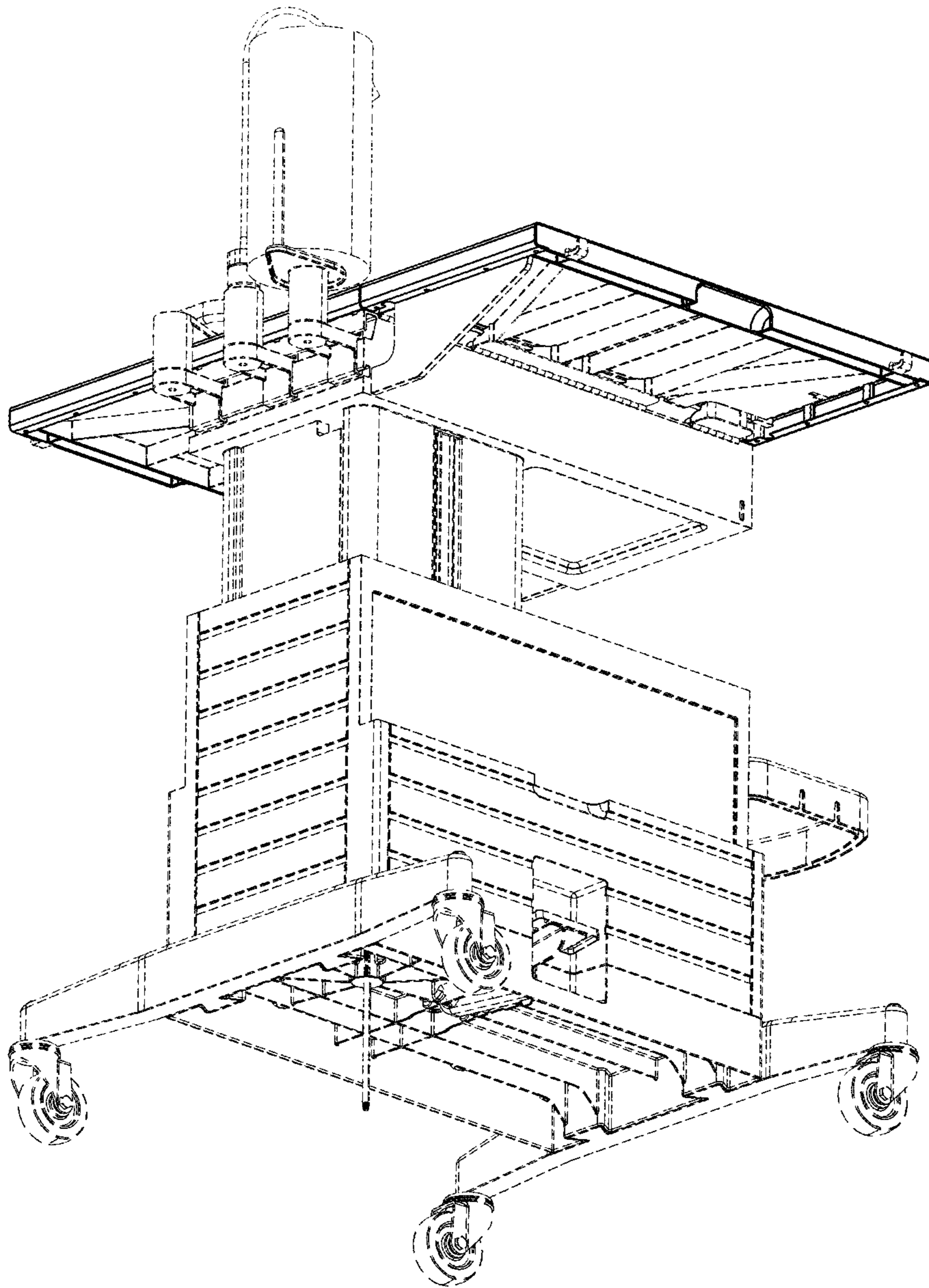


FIG. 8

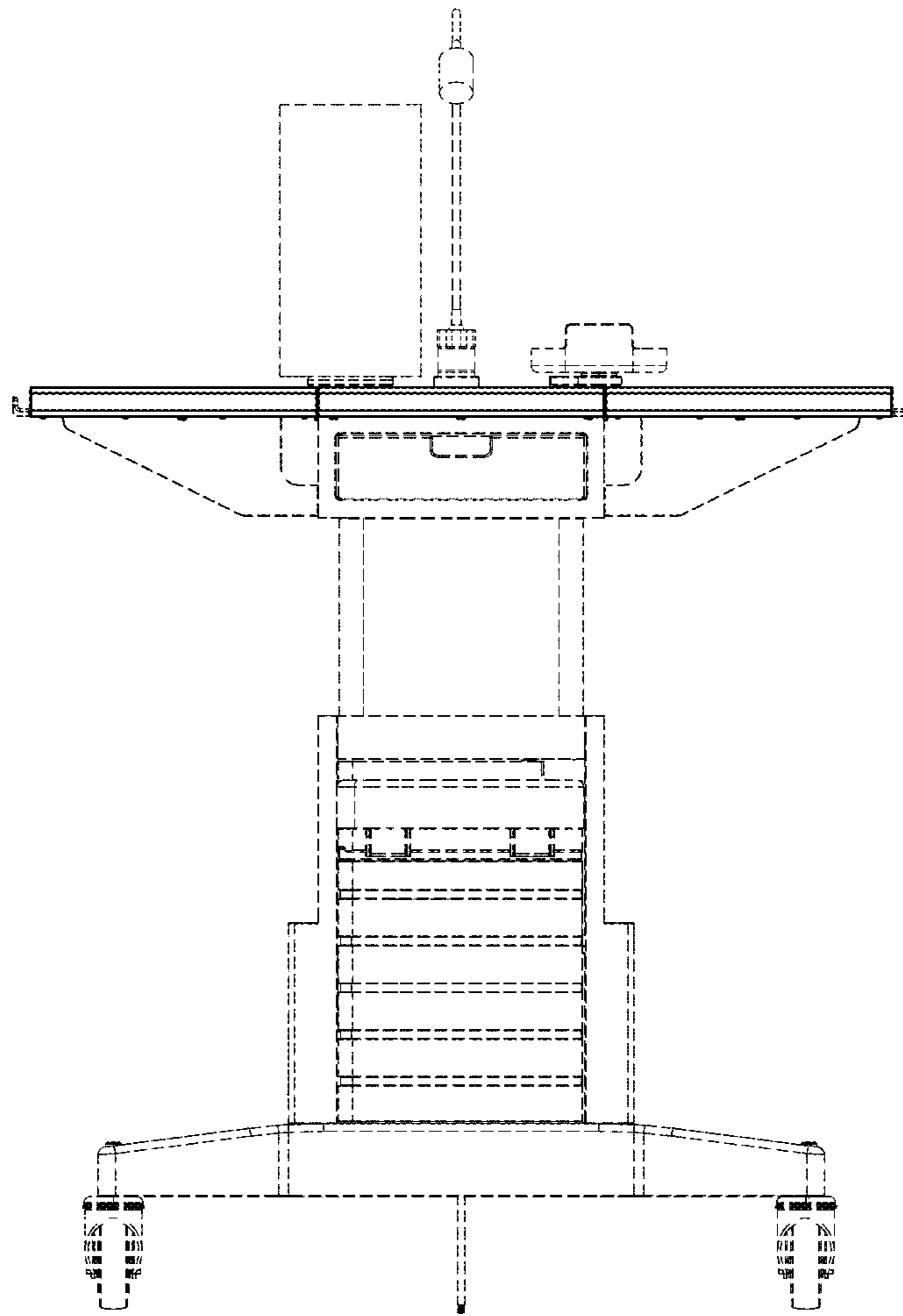


FIG. 9

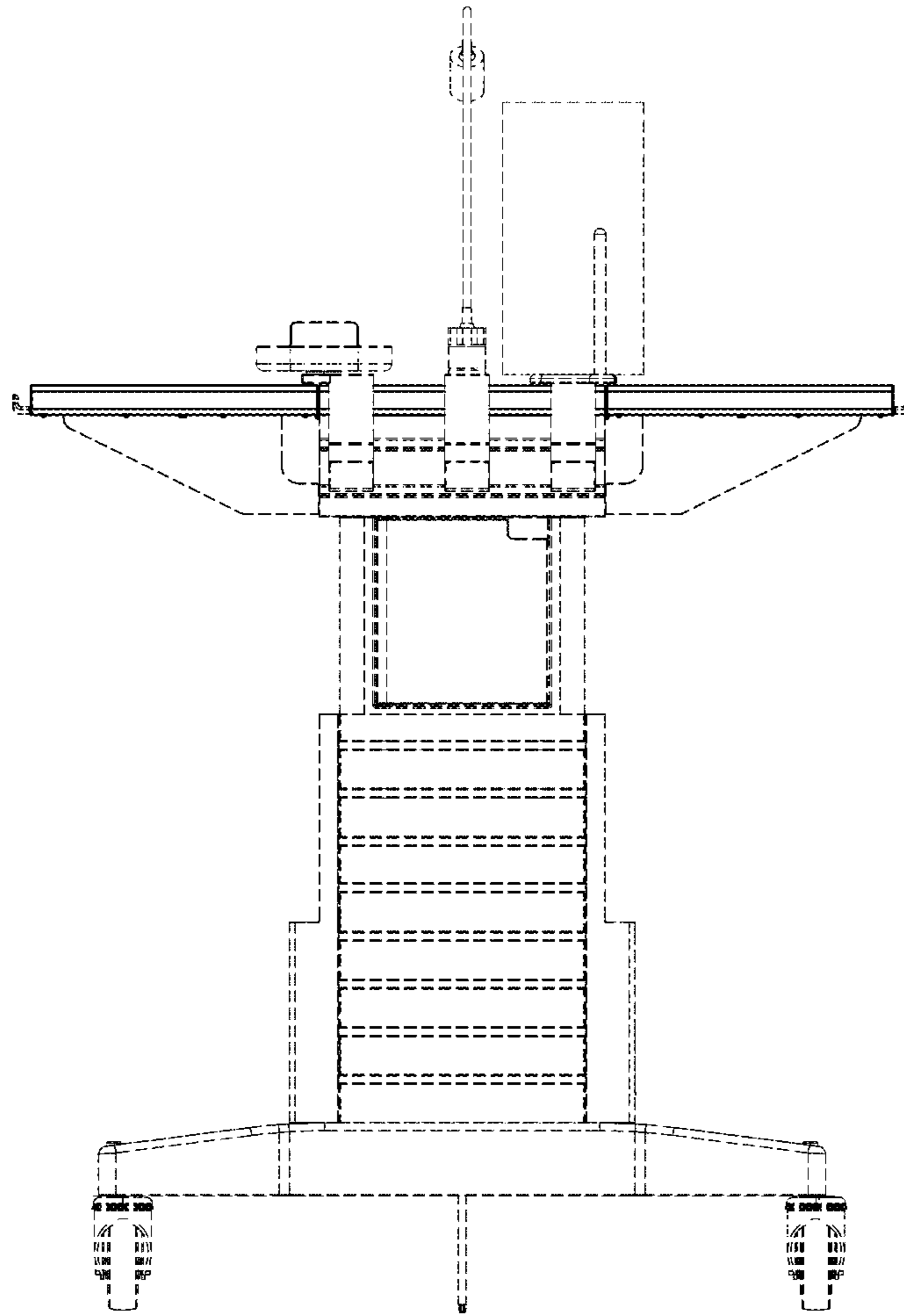


FIG. 10

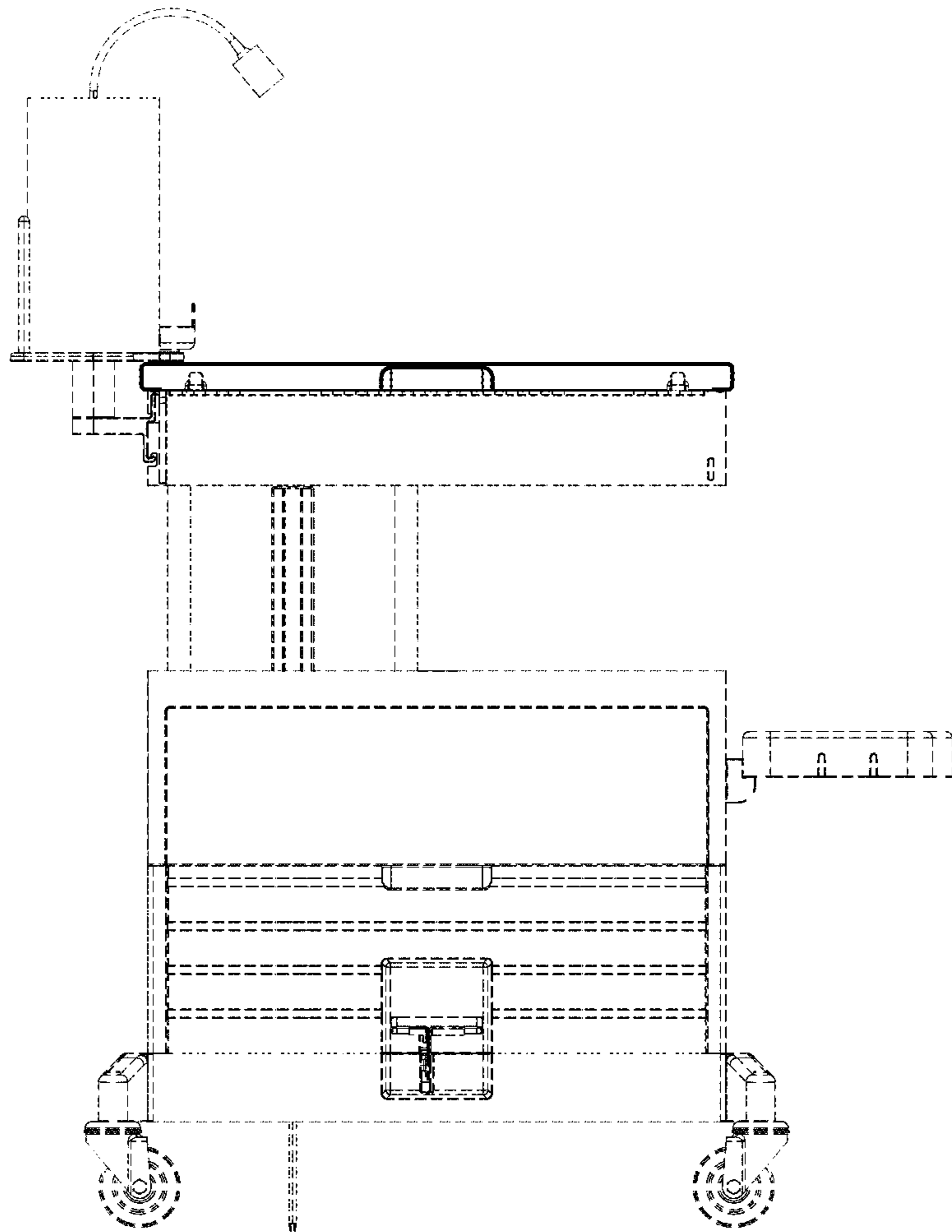


FIG. 11

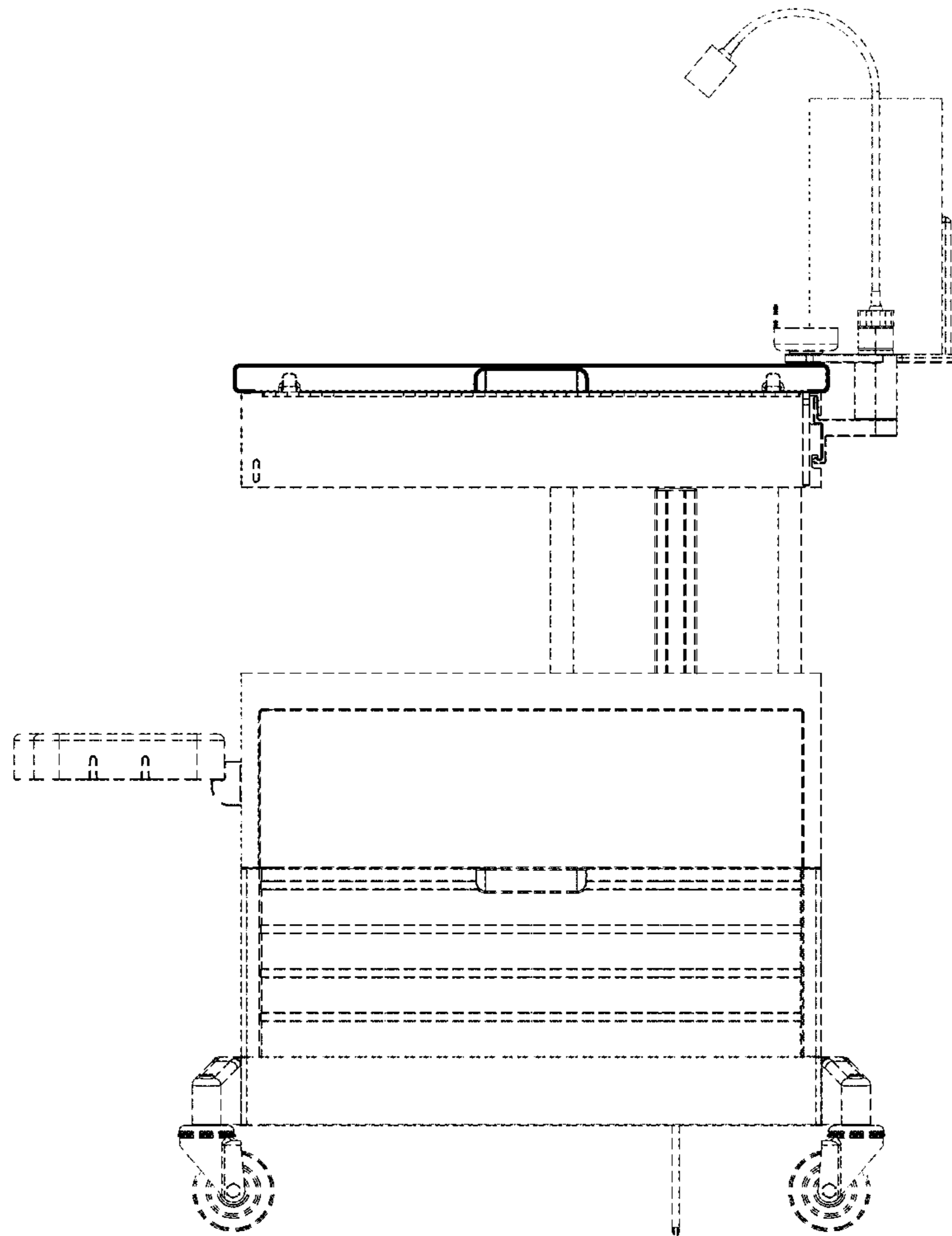


FIG. 12

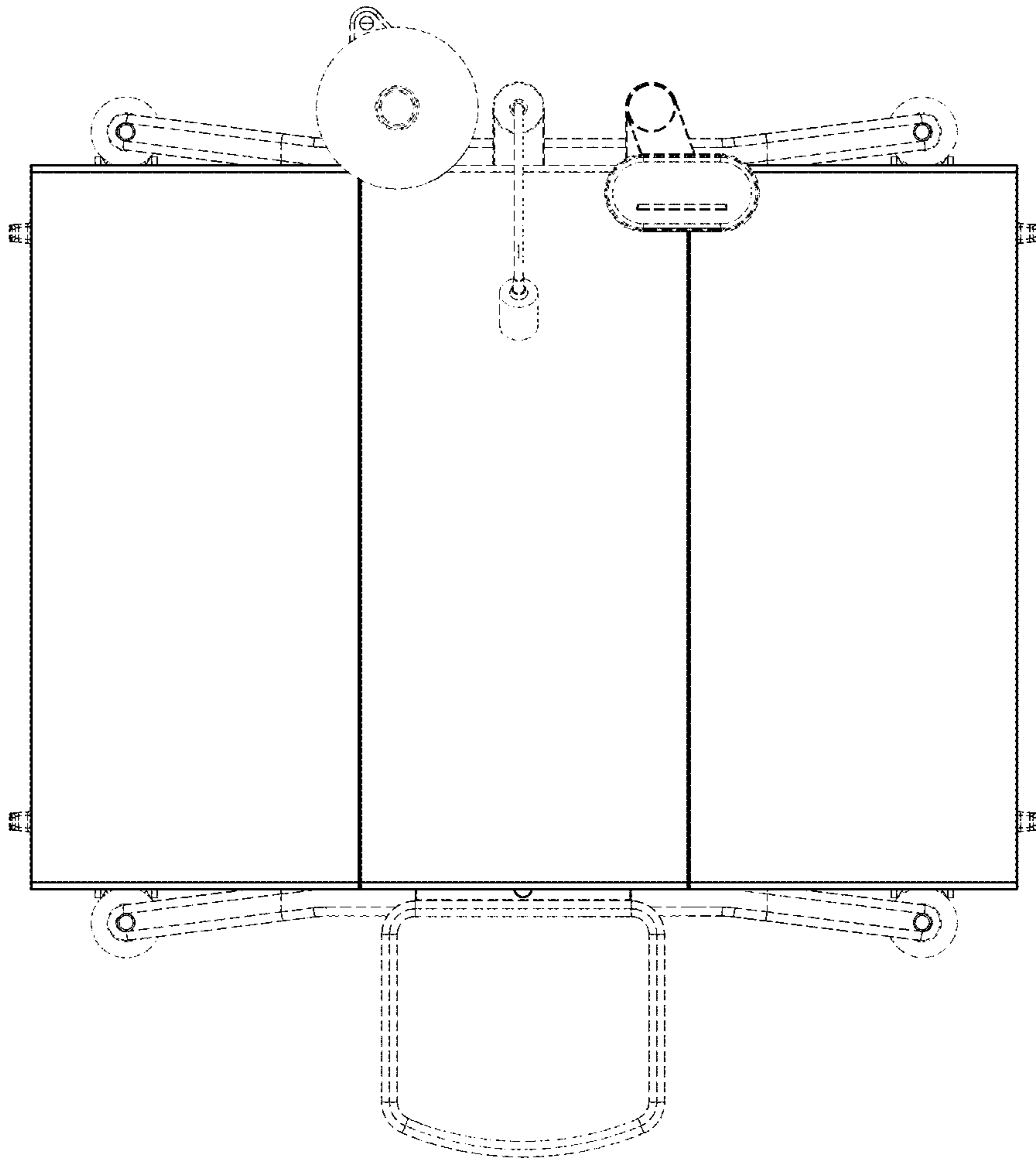


FIG. 13

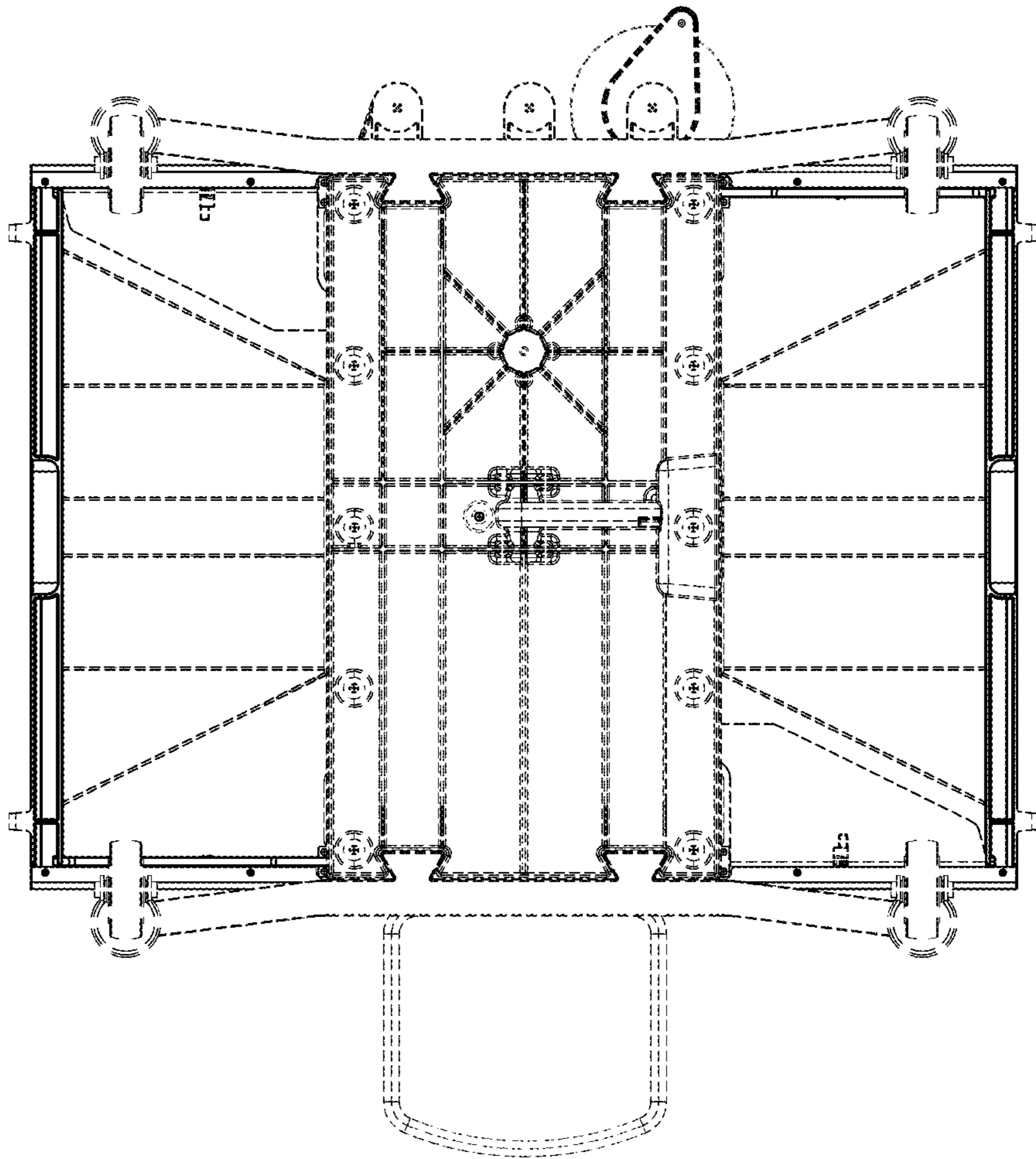


FIG. 14

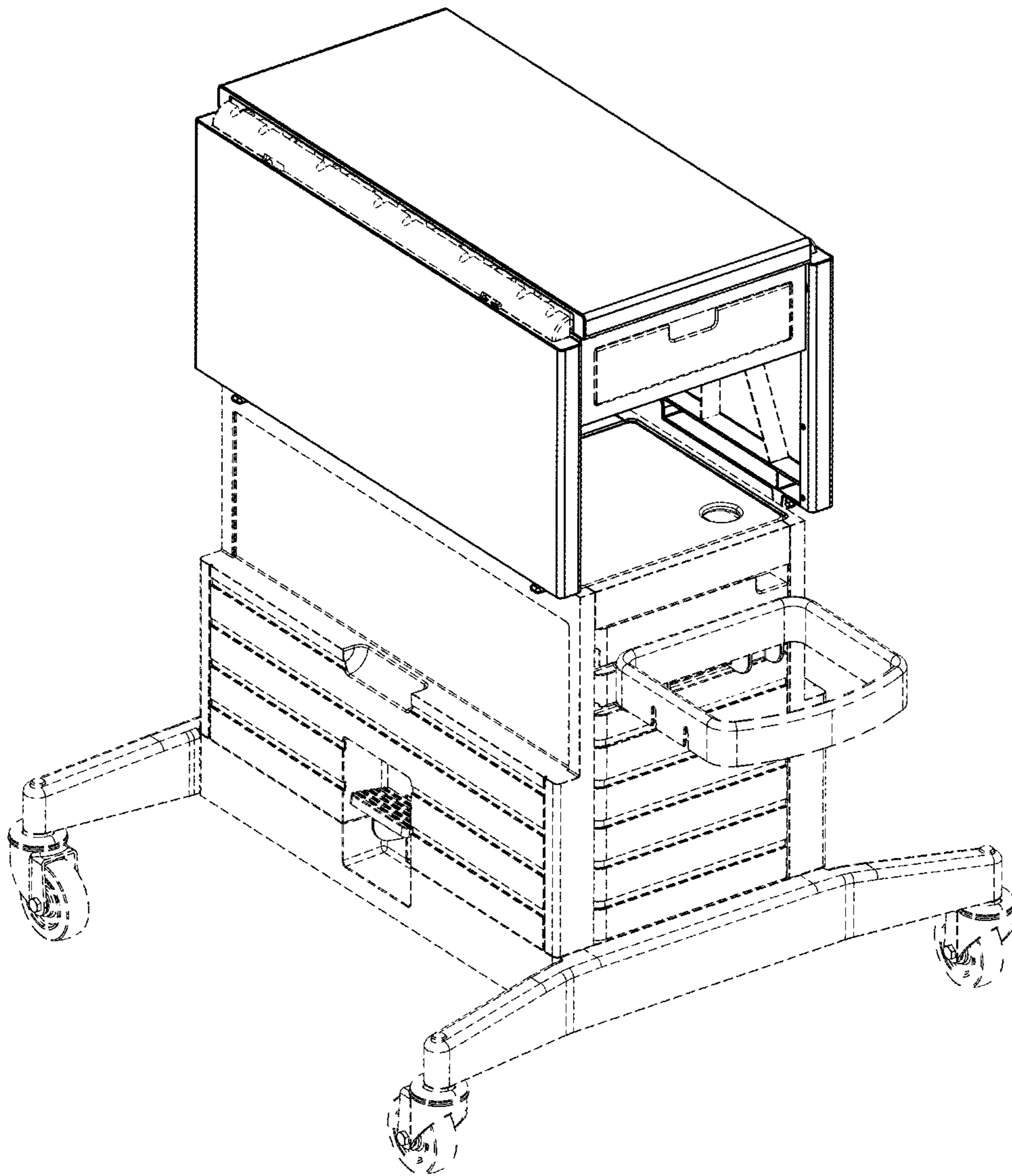


FIG. 15

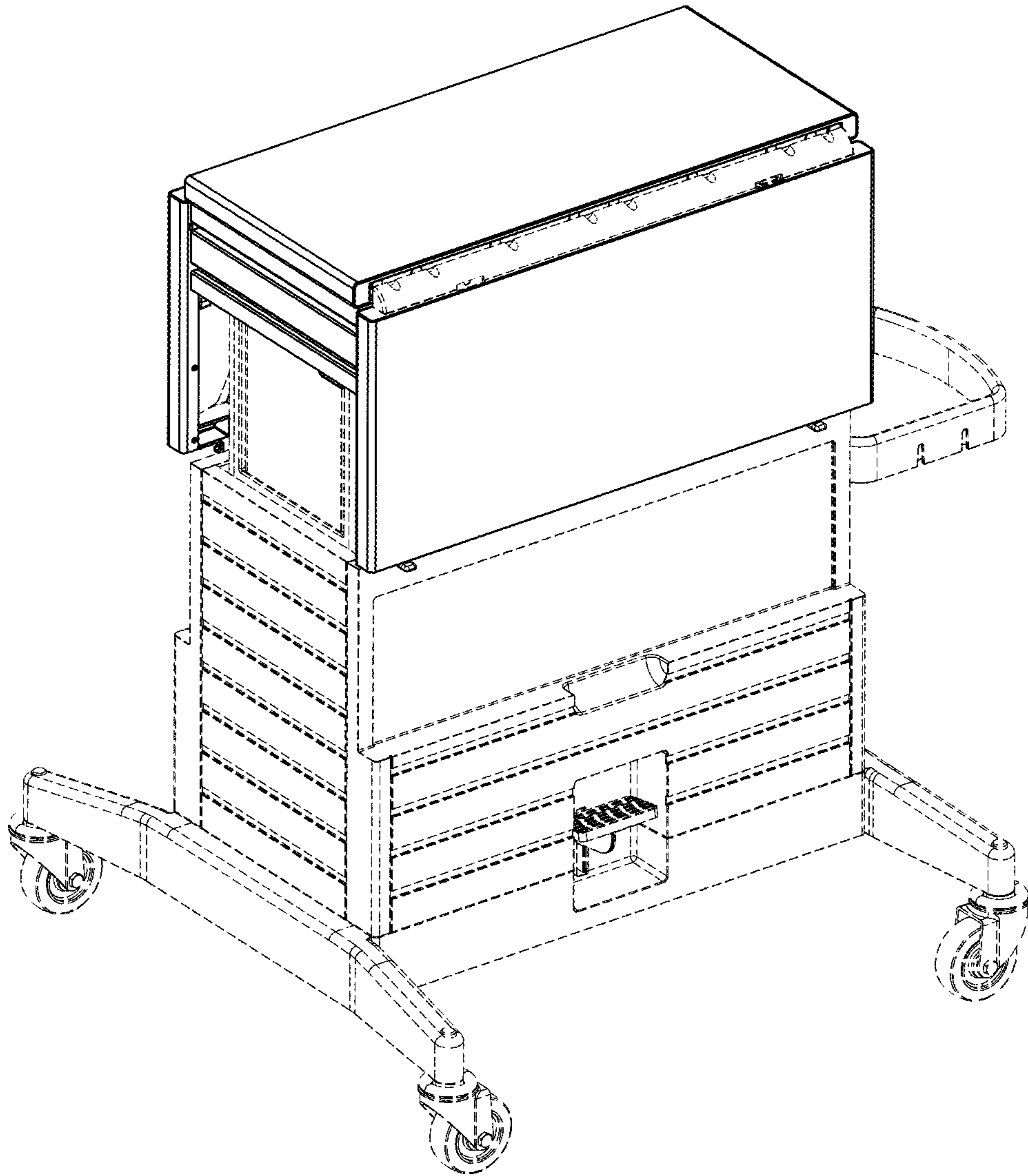


FIG. 16

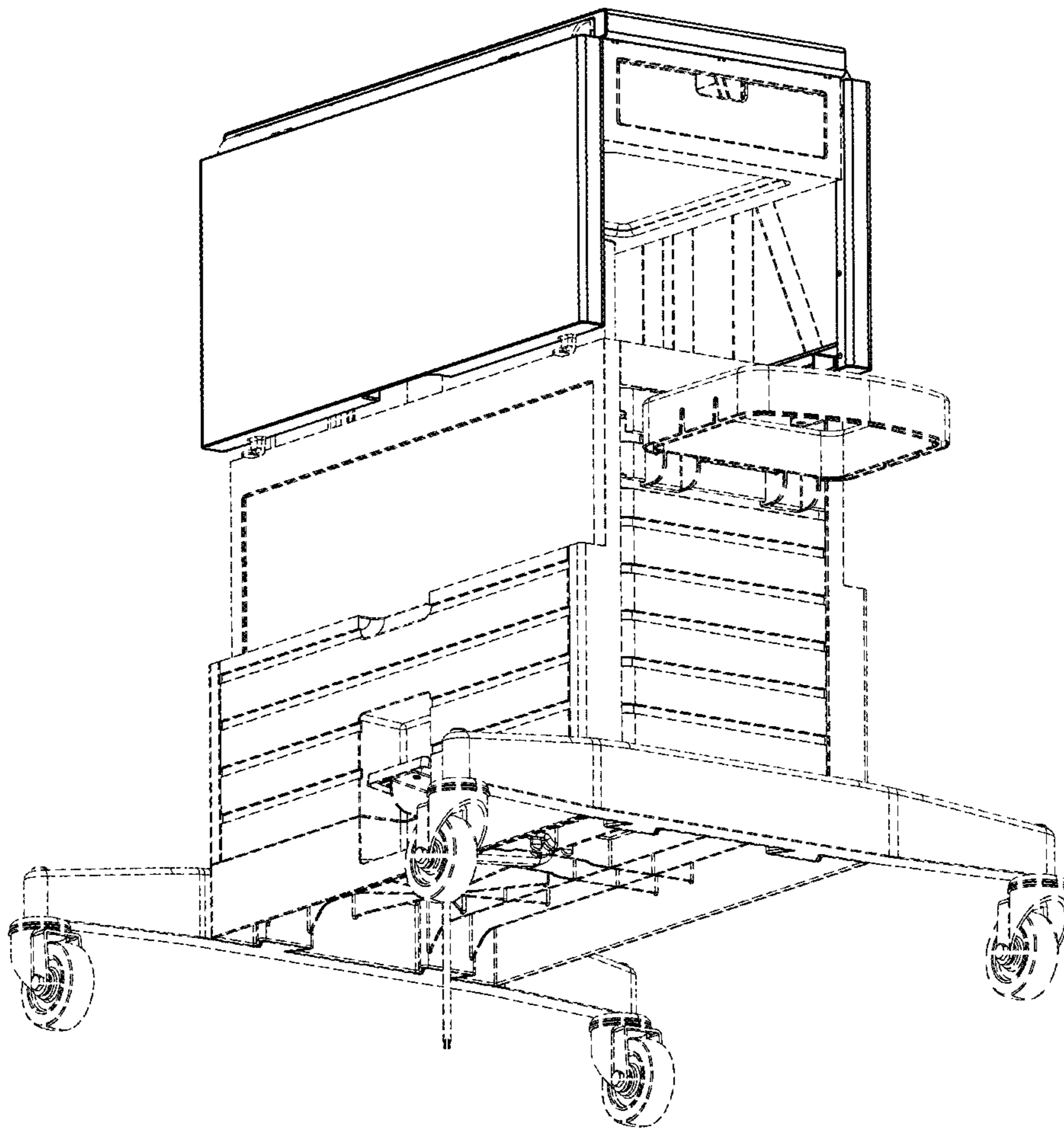


FIG. 17

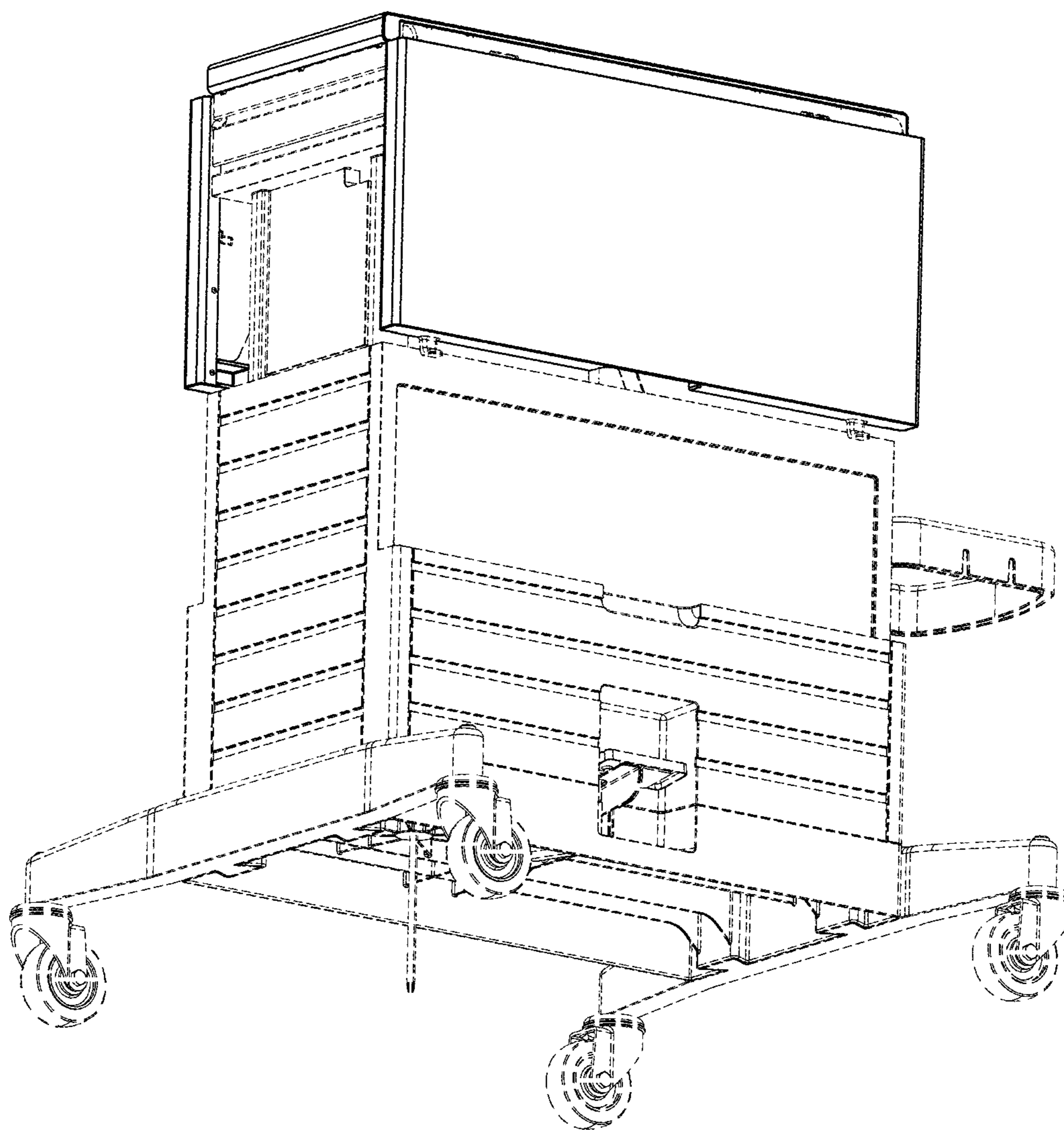


FIG. 18