



US00D971540S

(12) **United States Design Patent**
Ericson

(10) **Patent No.:** **US D971,540 S**

(45) **Date of Patent:** **** Nov. 29, 2022**

(54) **PAINT REMOVING SCRAPER**

(71) Applicant: **Speedheater System AB**, Alingsas (SE)

(72) Inventor: **Birger Ericson**, Alingsas (SE)

(**) Term: **15 Years**

(21) Appl. No.: **35/511,890**

(22) Filed: **Apr. 15, 2021**

(80) **Hague Agreement Data**

Int. Filing Date: **Apr. 15, 2021**

Int. Reg. No.: **DM/214155**

Int. Reg. Date: **Apr. 15, 2021**

Int. Reg. Pub. Date: **May 21, 2021**

(51) **LOC (13) Cl.** **32-03**

(52) **U.S. Cl.**
USPC **D32/46**

(58) **Field of Classification Search**
USPC D32/40-42, 46-49
See application file for complete search history.

(56) **References Cited**

U.S. PATENT DOCUMENTS

D331,301 S * 11/1992 Say, Jr. D32/46
D417,048 S * 11/1999 Edwards D34/10

D562,517 S * 2/2008 Henke D32/46
D587,871 S * 3/2009 van Deursen D32/49
D691,773 S * 10/2013 Chen D32/46
D693,077 S * 11/2013 Thompson D32/46
D702,408 S * 4/2014 Henke D32/46
D850,743 S * 6/2019 Niehaus D32/46
D861,271 S * 9/2019 Zemel D32/46
D861,272 S * 9/2019 Wong D32/46
D911,647 S * 2/2021 Sarabia D32/46
D916,408 S * 4/2021 Lin D32/46
D916,409 S * 4/2021 Liao D32/46
D918,509 S * 5/2021 Roma D32/46
D960,476 S * 8/2022 Scimone D32/46

* cited by examiner

Primary Examiner — Khawaja Anwar

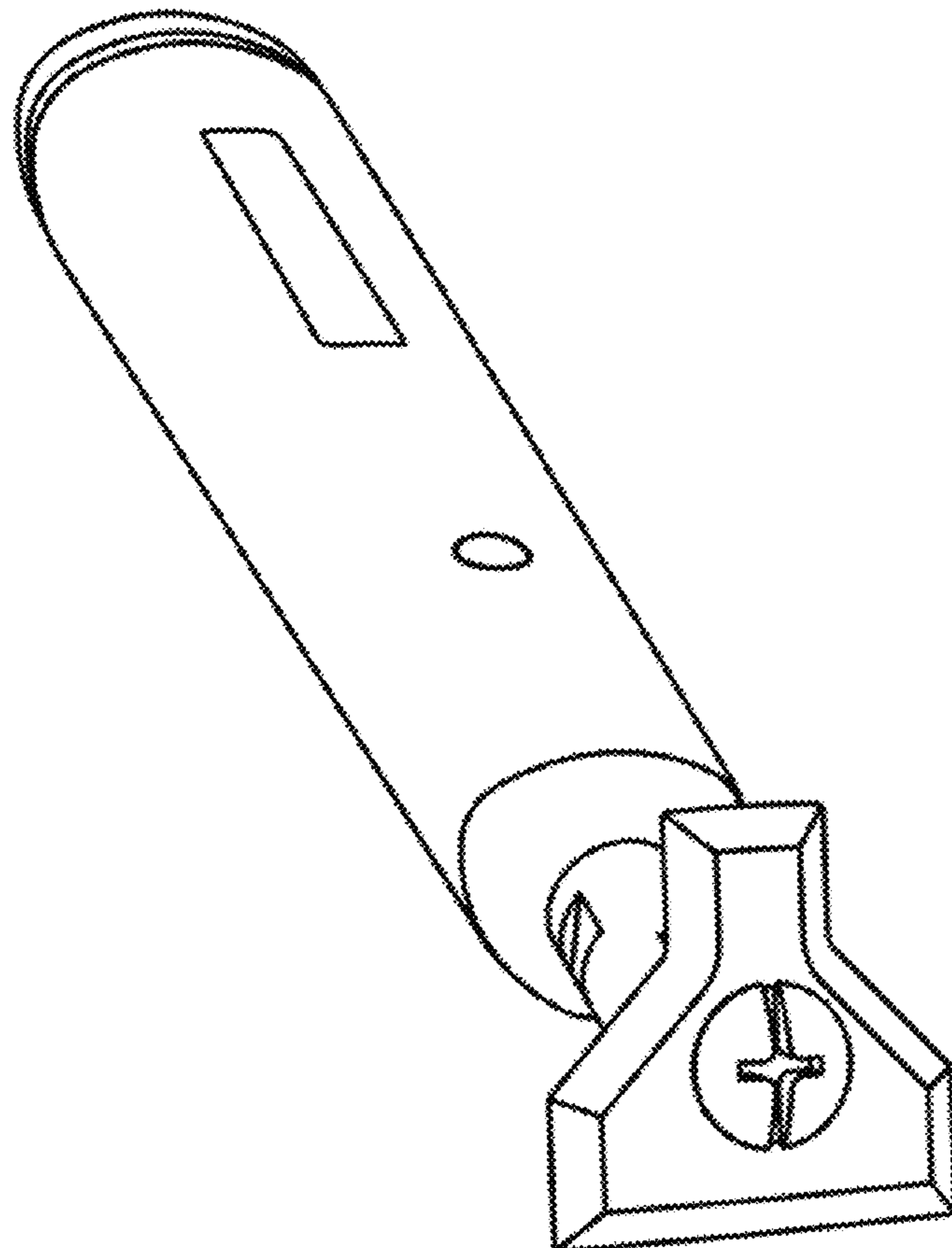
(57) **CLAIM**

The ornamental design for a paint removing scraper, as shown and described.

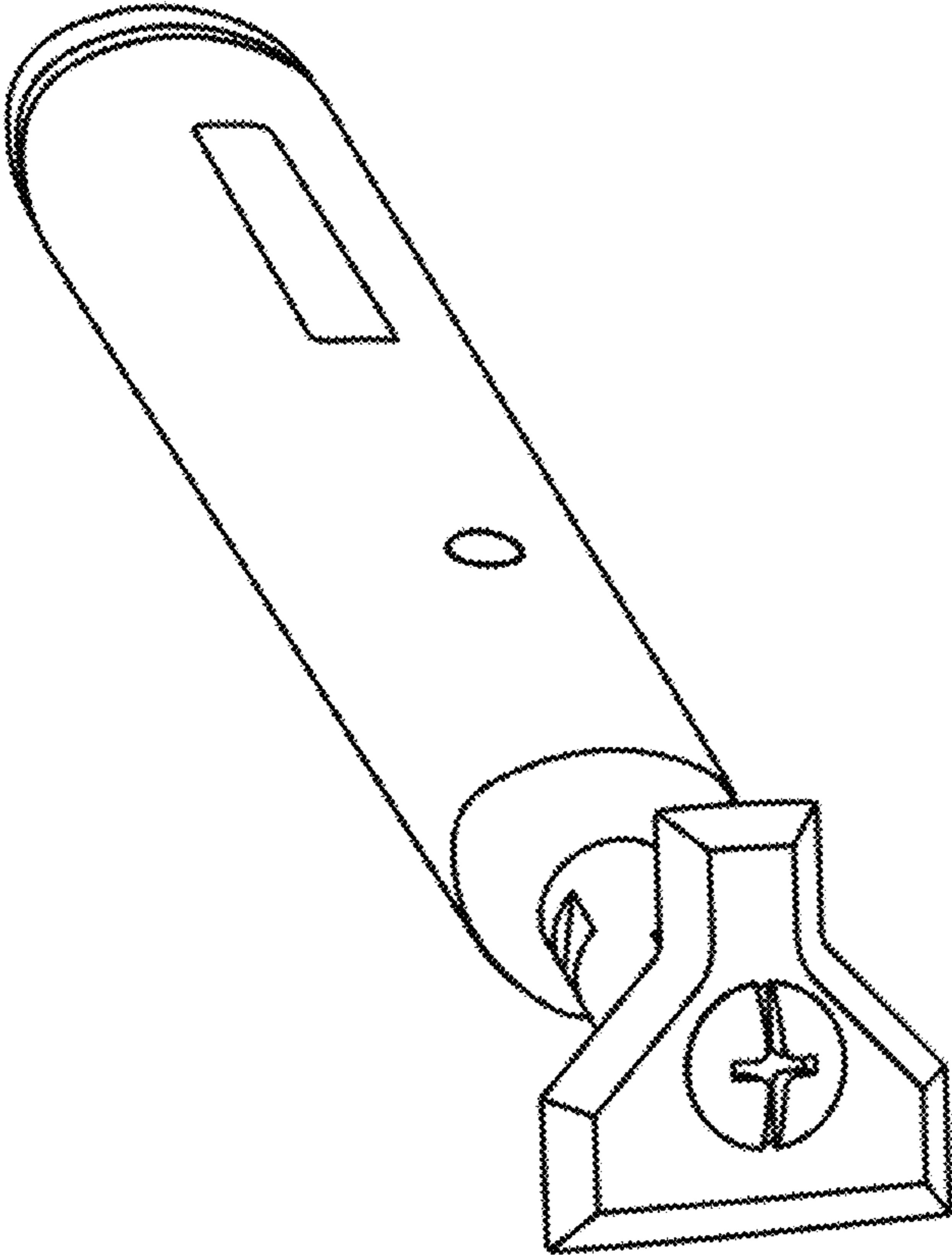
DESCRIPTION

- 1. Paint removing scraper
- 1.1 Perspective
- 1.2 Perspective
- 1.3 Front Side
- 1.4 Back Side
- 1.5 Top
- 1.6 Bottom

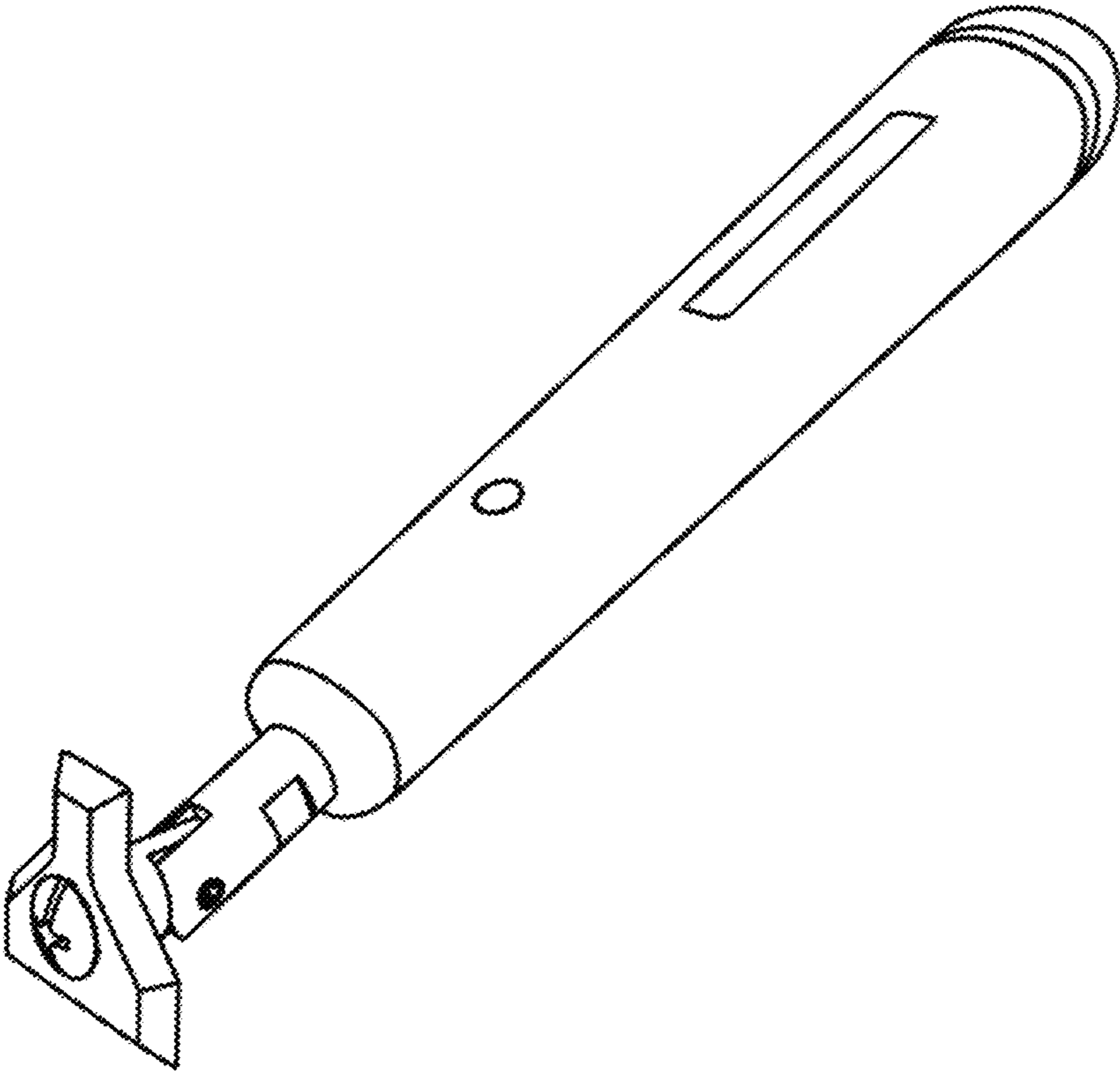
1 Claim, 6 Drawing Sheets



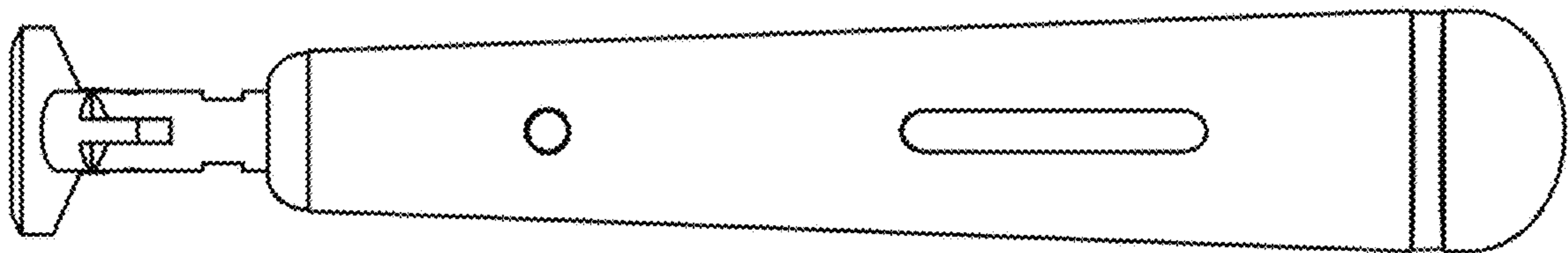
1.1



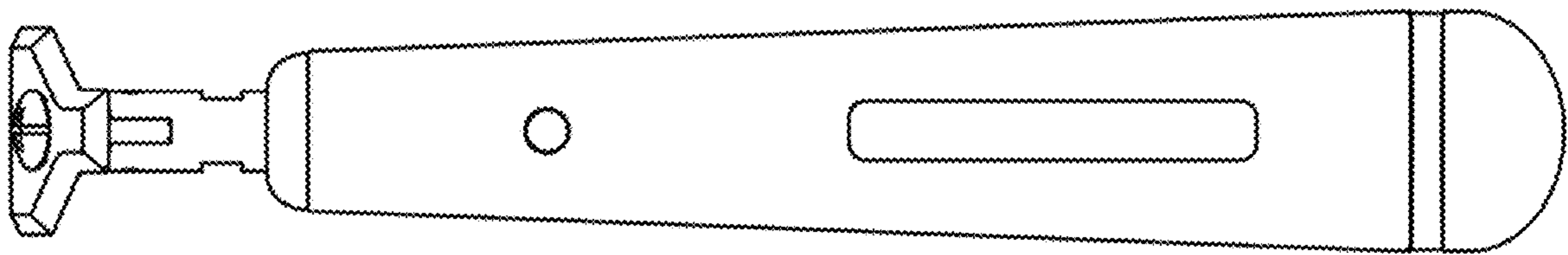
1.2



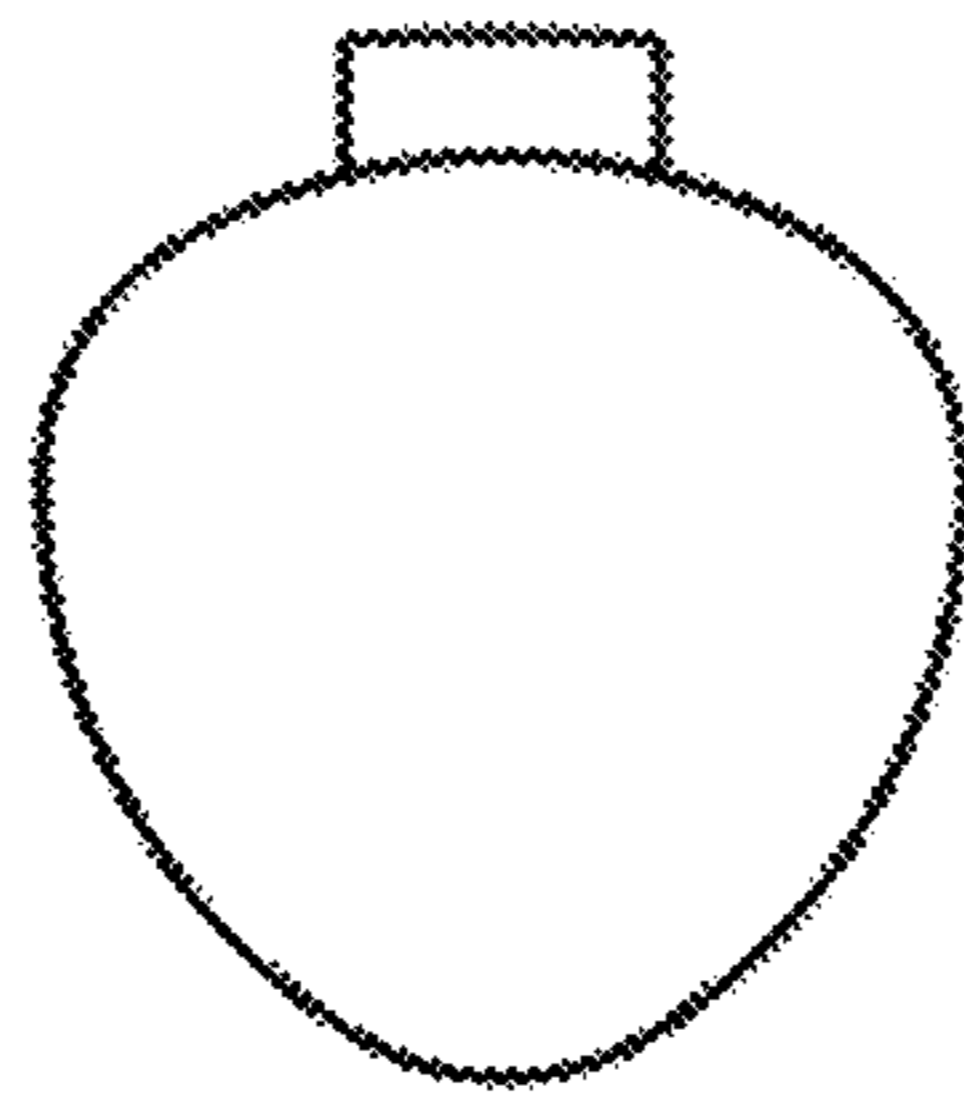
1.3



1.4



1.5



1.6

