



US00D971536S

(12) **United States Design Patent** (10) **Patent No.:** **US D971,536 S**  
**Hacker** (45) **Date of Patent:** **\*\* Nov. 29, 2022**

(54) **VACUUM ATTACHMENT**  
(71) Applicant: **KACH HOLDINGS, LLC,**  
Greensboro, NC (US)  
(72) Inventor: **Craig E. Hacker,** Monroe, NC (US)

5,488,949 A 2/1996 Kreifels et al.  
5,540,616 A 7/1996 Thayer  
D396,525 S \* 7/1998 Larimer ..... D23/263  
6,240,596 B1 6/2001 Kiern  
6,833,016 B2 12/2004 Witter  
(Continued)

(73) Assignee: **KACH HOLDINGS, LLC,**  
Greensboro, NC (US)

**FOREIGN PATENT DOCUMENTS**

(\*\*) Term: **15 Years**

DE 202010004226 U1 7/2010  
EP 2193737 A2 \* 6/2010 ..... A47L 5/32  
(Continued)

(21) Appl. No.: **29/758,247**

**OTHER PUBLICATIONS**

(22) Filed: **Nov. 13, 2020**

centralvacuumdirect.com, central vacuum 3-way https://www.  
centralvacuumdirect.com/3-Way-90-Degree-Y-Sweep-Fitting-FFF-  
p/5515.htm (Year: 2022).\*

**Related U.S. Application Data**

(63) Continuation of application No. 16/011,805, filed on  
Jun. 19, 2018, now abandoned.

(Continued)

(51) **LOC (13) Cl.** ..... **15-05**

*Primary Examiner* — Kevin K Rudzinski

(52) **U.S. Cl.**

*Assistant Examiner* — Richard E Yenchesky

USPC ..... **D32/31**

(74) *Attorney, Agent, or Firm* — Panitch Schwarze

(58) **Field of Classification Search**

Belisario & Nadel LLP

USPC ..... D6/310, 512, 553, 569; D23/244, 247,  
D23/248, 262, 263, 264, 265; D32/25,  
D32/31, 32, 33

(57) **CLAIM**

CPC ..... A47L 9/00; A47L 9/0018; A47L 9/0027;  
A47L 9/0036; A47L 9/0045; A47L  
7/0095; A47L 9/248; A47L 9/0693; A47L  
7/00

The ornamental design for a vacuum attachment, as shown  
and described.

See application file for complete search history.

**DESCRIPTION**

(56) **References Cited**

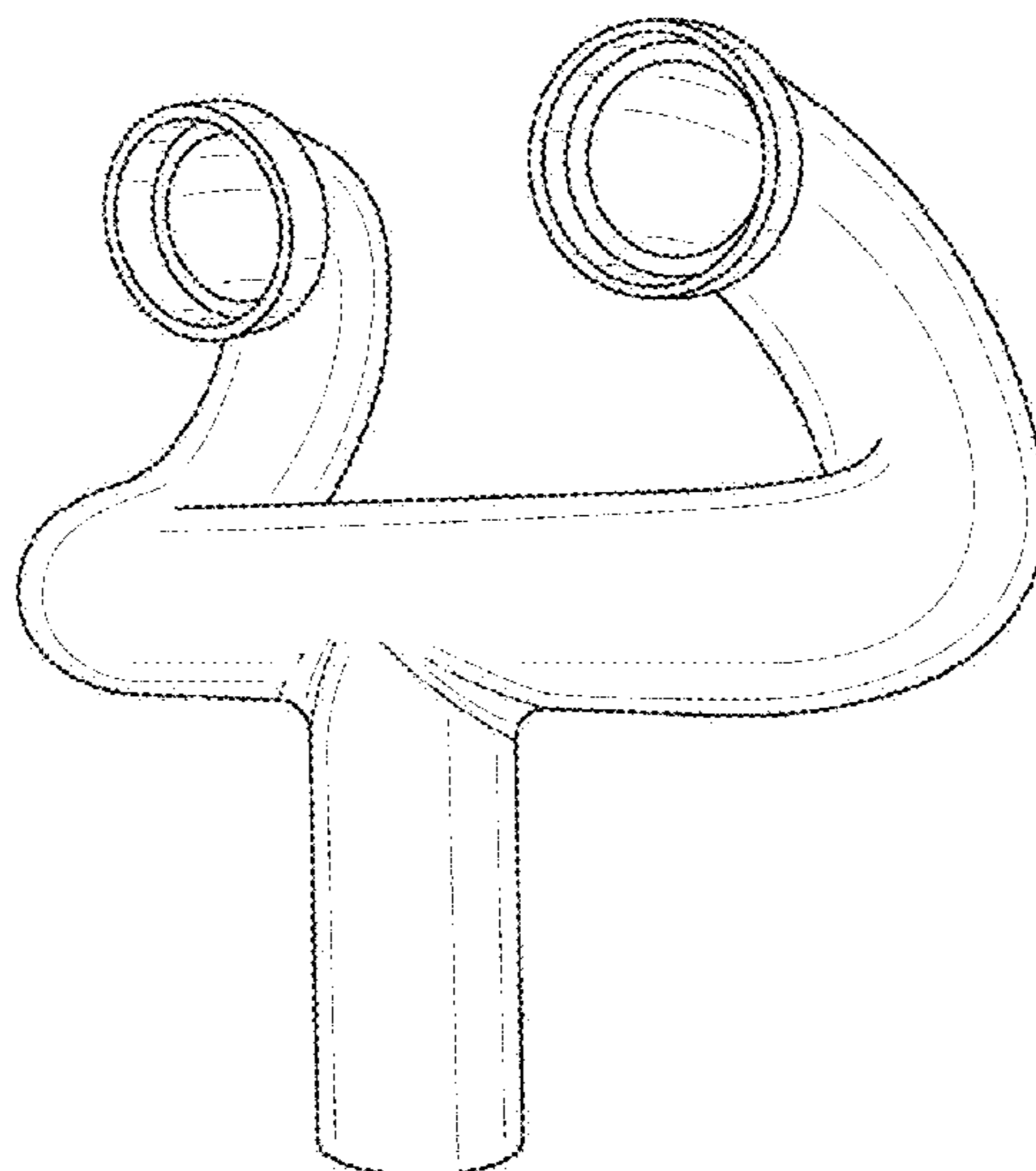
FIG. 1 is a front and right-side perspective view of a vacuum  
attachment in accordance with my new design;  
FIG. 2 is a right-side elevational view thereof;  
FIG. 3 is a left-side elevational view thereof;  
FIG. 4 is a front elevational view thereof;  
FIG. 5 is a bottom plan view thereof; and,  
FIG. 6 is a top plan view thereof.

**U.S. PATENT DOCUMENTS**

Any portions of the vacuum attachment potentially not  
shown in the drawings or described in the specification form  
no part of the claimed design.

1,247,654 A \* 11/1917 Farnsworth ..... A47L 5/14  
15/353  
3,268,933 A 8/1966 Marantette  
D214,906 S \* 8/1969 Steinmeyer ..... D13/173  
3,882,598 A 5/1975 Earle et al.  
3,921,250 A 11/1975 Jerabek  
D240,272 S \* 6/1976 Phillpott ..... D23/265  
D301,177 S \* 5/1989 Von Bischoffshausen .... D32/31

**1 Claim, 5 Drawing Sheets**



(56)

**References Cited**

U.S. PATENT DOCUMENTS

|              |     |         |                |       |             |
|--------------|-----|---------|----------------|-------|-------------|
| D592,734     | S * | 5/2009  | Cummings       | ..... | D23/262     |
| 7,578,063    | B2  | 8/2009  | Martin         |       |             |
| D622,016     | S * | 8/2010  | Hofmann-Kay    | ..... | D32/32      |
| D663,015     | S * | 7/2012  | Hendey, Sr.    | ..... | D23/263     |
| D705,402     | S * | 5/2014  | Yu             | ..... | D23/262     |
| 8,793,835    | B2  | 8/2014  | King, Jr.      |       |             |
| D755,355     | S * | 5/2016  | Knight         | ..... | D23/262     |
| D773,136     | S * | 11/2016 | Fuller         | ..... | D32/31      |
| 9,821,389    | B2  | 11/2017 | Buser          |       |             |
| D900,286     | S * | 10/2020 | Daughters      | ..... | D23/262     |
| D904,579     | S * | 12/2020 | Parihar        | ..... | D23/263     |
| D946,129     | S * | 3/2022  | Luo            | ..... | D23/249     |
| 2006/0053629 | A1  | 3/2006  | Martin         |       |             |
| 2009/0016152 | A1  | 1/2009  | Beaton         |       |             |
| 2012/0260458 | A1  | 10/2012 | King, Jr.      |       |             |
| 2012/0325360 | A1  | 12/2012 | McGrath et al. |       |             |
| 2013/0125329 | A1  | 5/2013  | Shrum          |       |             |
| 2015/0059542 | A1  | 3/2015  | Buser          |       |             |
| 2018/0028030 | A1  | 2/2018  | Lee-Sin et al. |       |             |
| 2018/0125313 | A1  | 5/2018  | King, Jr.      |       |             |
| 2019/0217263 | A1  | 7/2019  | Scarborough    |       |             |
| 2020/0107683 | A1* | 4/2020  | Hacker         | ..... | A47L 5/36   |
| 2021/0059491 | A1* | 3/2021  | Hacker         | ..... | A47L 9/0693 |

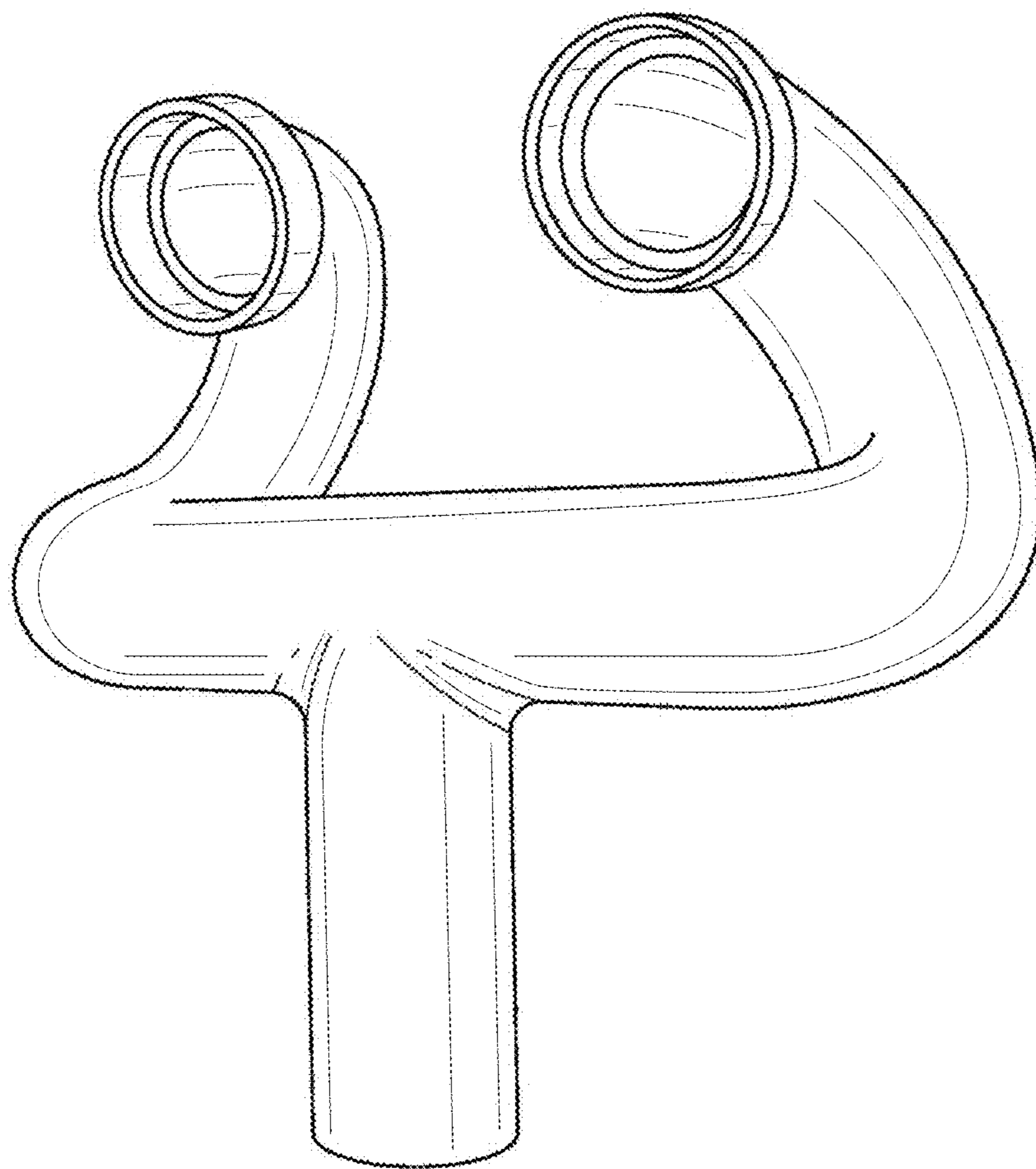
FOREIGN PATENT DOCUMENTS

|    |         |    |        |
|----|---------|----|--------|
| FR | 3022813 | A1 | 1/2016 |
| FR | 3073159 | A1 | 5/2019 |

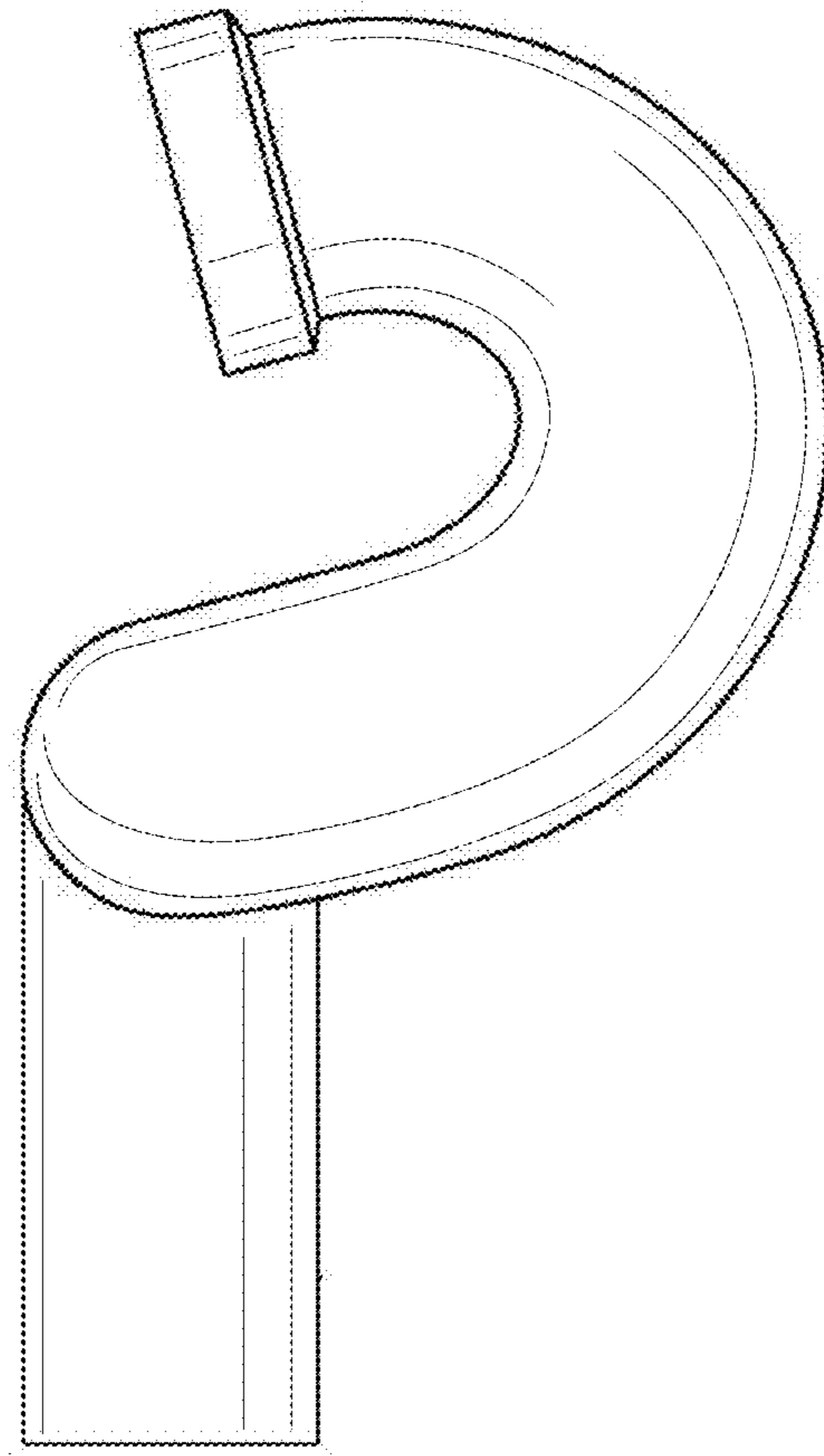
OTHER PUBLICATIONS

Int'l Preliminary Report on Patentability dated Apr. 5, 2022 in PCT/US2019/054256.

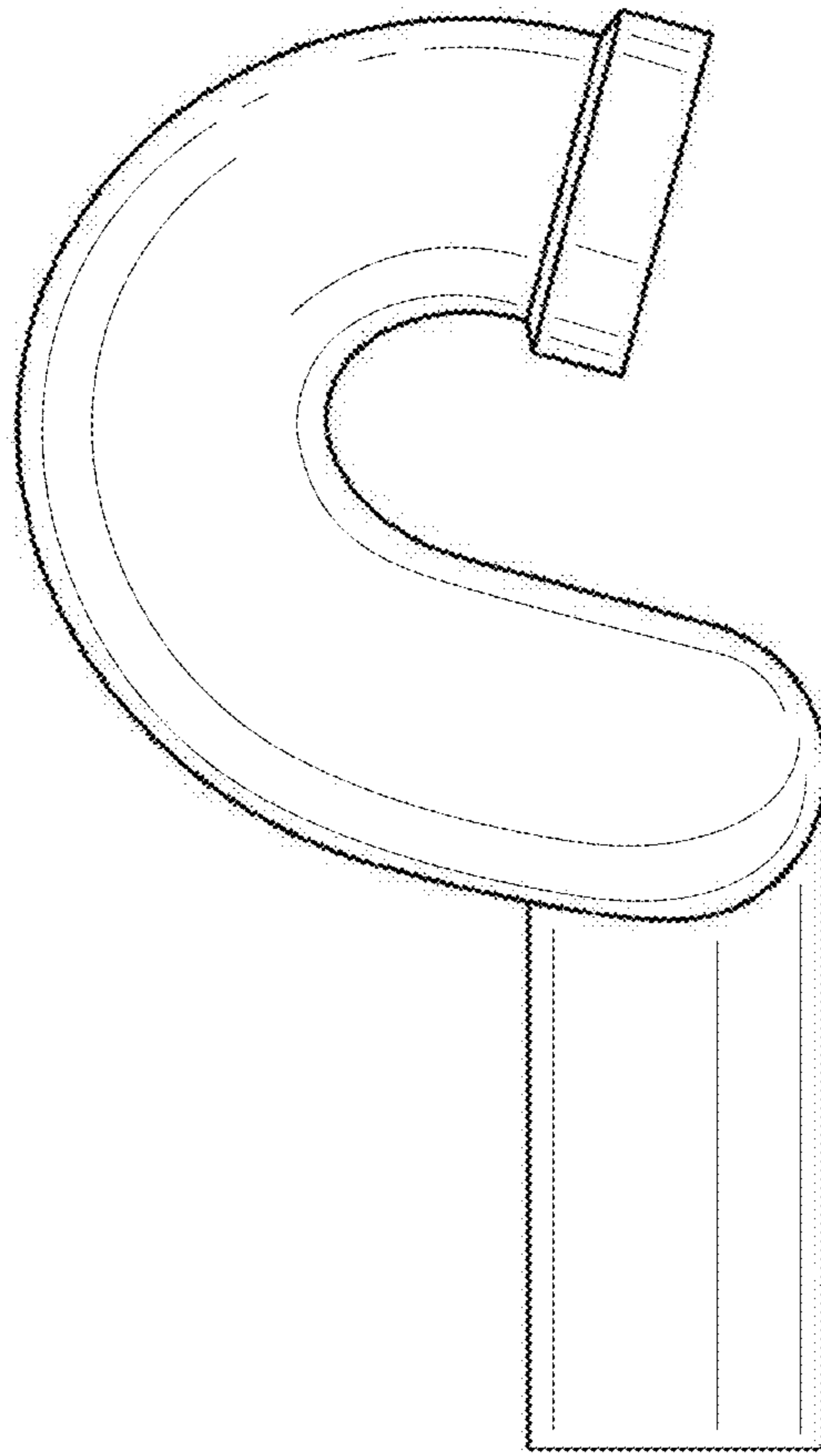
\* cited by examiner



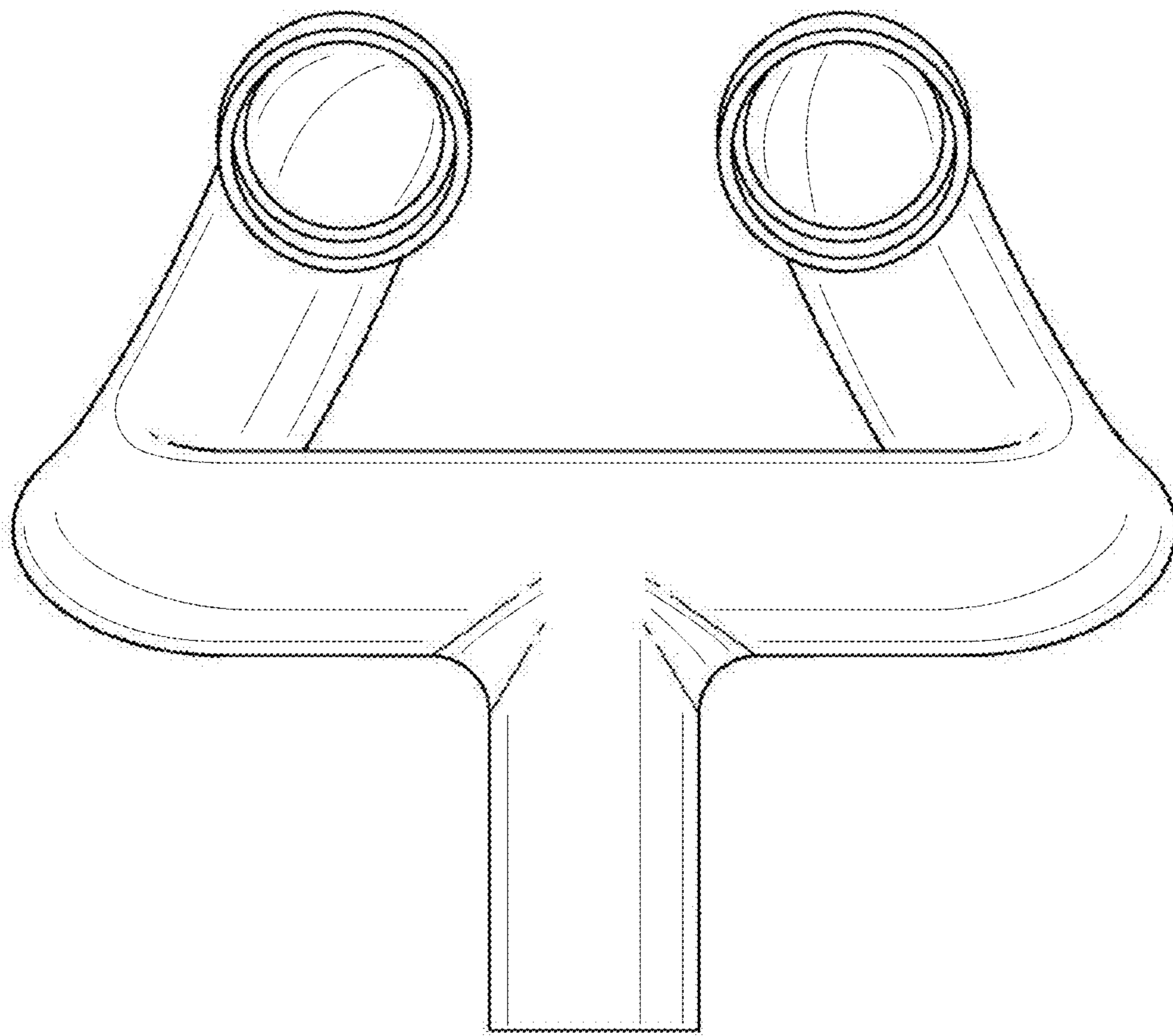
*Fig. 1*



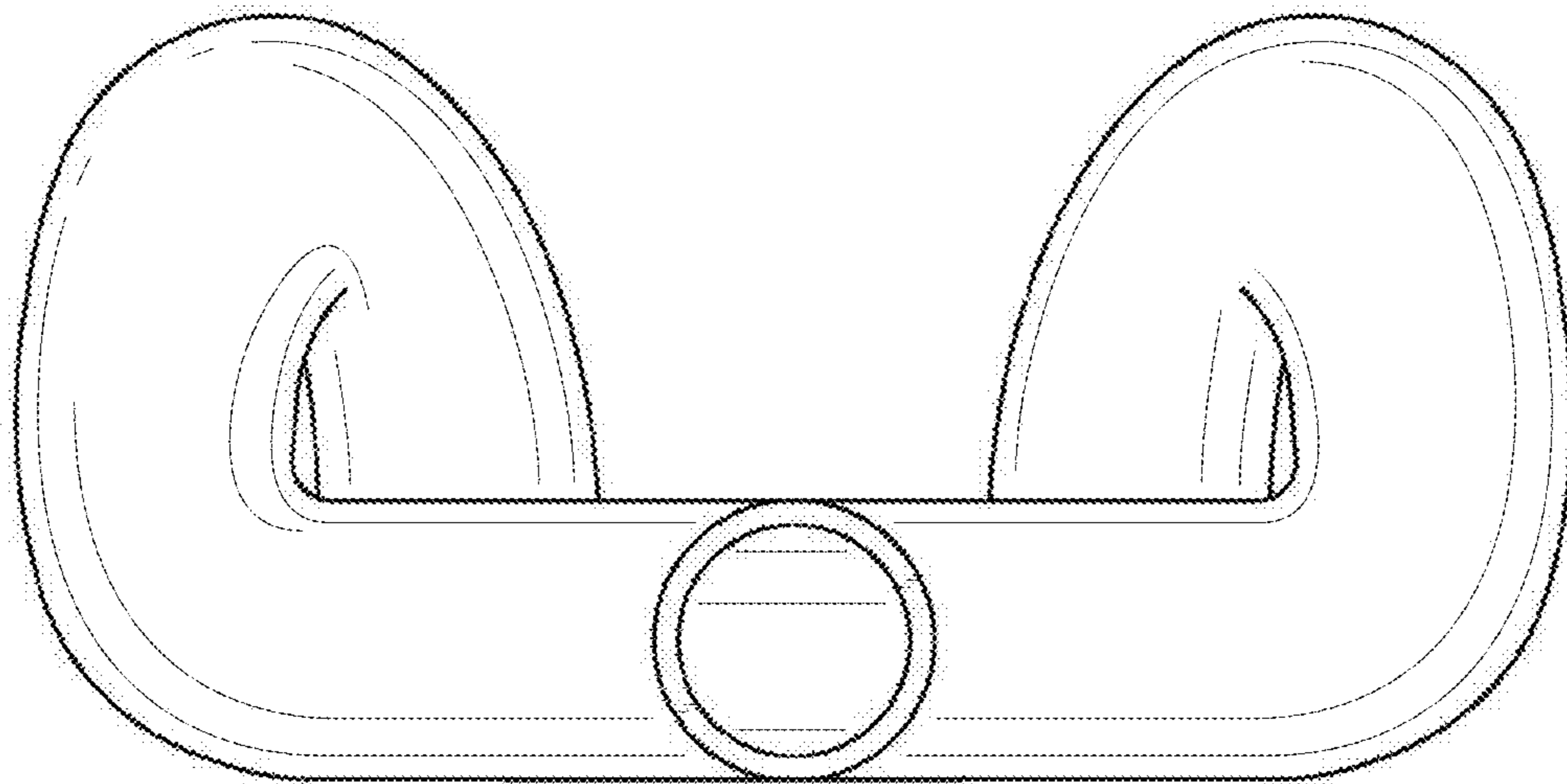
*Fig. 2*



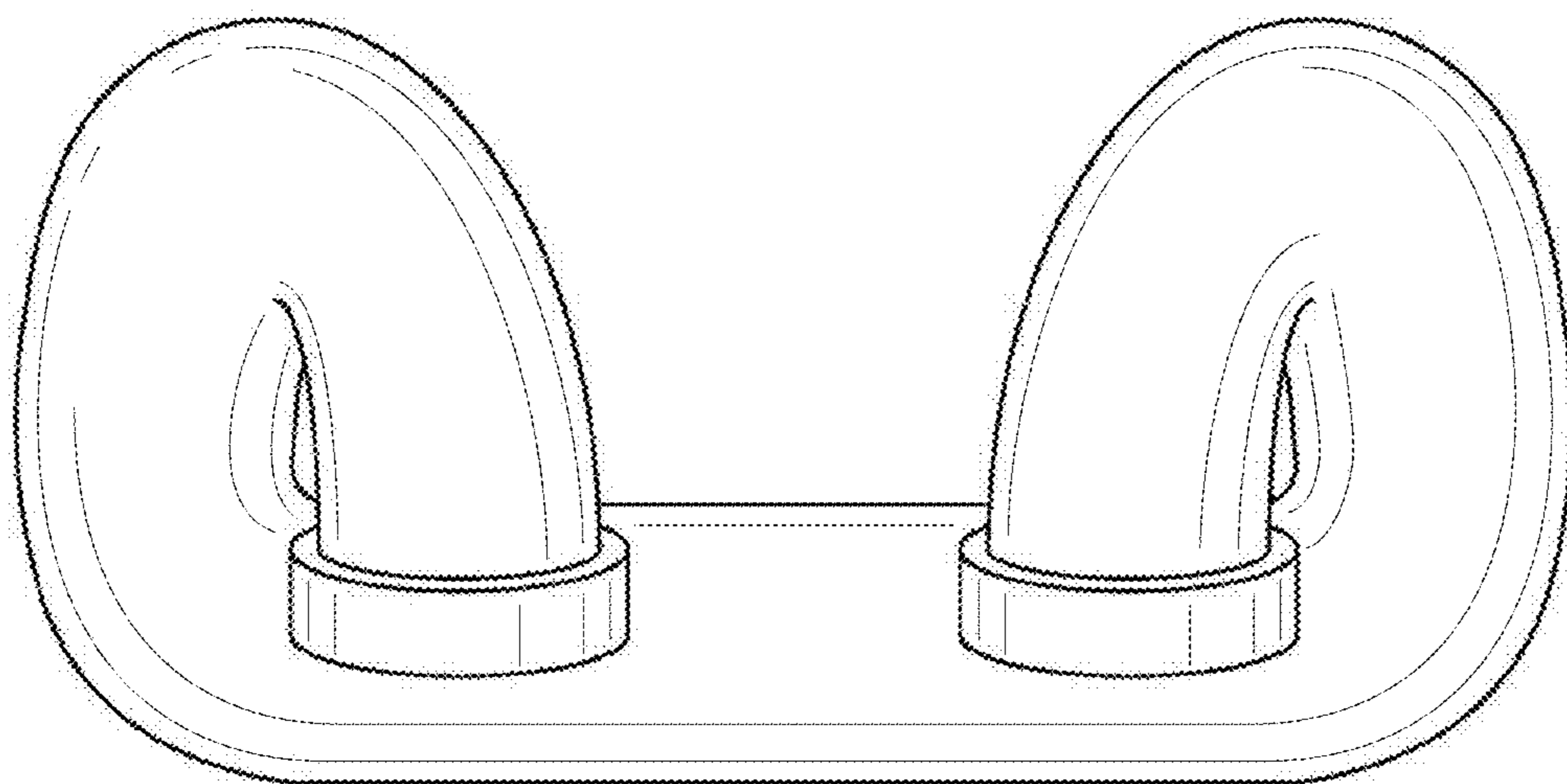
*Fig. 3*



*Fig. 4*



*Fig. 5*



*Fig. 6*