



US00D971534S

(12) **United States Design Patent**
Sanders et al.

(10) **Patent No.:** **US D971,534 S**
(45) **Date of Patent:** **** Nov. 29, 2022**

(54) **LID ADAPTER FOR WET/DRY VACUUM CLEANER WITH DETACHABLE BLOWER**

(71) Applicant: **Emerson Electric Co.**, St. Louis, MO (US)

(72) Inventors: **Jeremy Sanders**, St. Louis, MO (US);
Gregory Wilsey, Ballwin, MO (US)

(73) Assignee: **Emerson Electric Co.**, St. Louis, MO (US)

(**) Term: **15 Years**

(21) Appl. No.: **29/710,797**

(22) Filed: **Oct. 25, 2019**

Related U.S. Application Data

(62) Division of application No. 29/645,930, filed on Apr. 30, 2018, now Pat. No. Des. 891,716.

(51) **LOC (13) Cl.** **15-05**

(52) **U.S. Cl.**
USPC **D32/21**

(58) **Field of Classification Search**
USPC D32/21-23, 31, 34
CPC . A47L 5/362; A47L 5/365; A47L 5/28; A47L 5/32; A47L 5/36; A47L 7/0004; A47L 7/0038; A47L 11/29; A47L 11/30
See application file for complete search history.

(56) **References Cited**

U.S. PATENT DOCUMENTS

D360,718 S	7/1995	Rakocy et al.
D362,091 S	9/1995	Tomasiak et al.
D418,643 S	1/2000	Hoshino
D438,353 S	2/2001	Hoshino et al.
D443,739 S	6/2001	Young et al.
D447,609 S	9/2001	Hult et al.
D470,279 S	2/2003	Griffin et al.

D470,280 S	2/2003	Griffin et al.
D470,281 S	2/2003	Griffin et al.
D479,023 S	8/2003	Holsten et al.
D479,371 S	9/2003	Griffin et al.
D486,280 S	2/2004	Holsten et al.
D492,823 S	7/2004	Hoshino et al.
D492,824 S	7/2004	Tomasiak et al.
D507,386 S	7/2005	Griffin et al.
D519,251 S	4/2006	Hoshino et al.
D520,689 S	5/2006	Eccardt et al.
D527,504 S	8/2006	Griffin et al.

(Continued)

FOREIGN PATENT DOCUMENTS

CA	ID87833 S	10/1999
CA	ID89522 S	5/2000

(Continued)

Primary Examiner — Michael A. Pratt

(74) *Attorney, Agent, or Firm* — Armstrong Teasdale LLP

(57) **CLAIM**

We claim the ornamental design for a lid adapter for wet/dry vacuum cleaner with detachable blower, as shown and described.

DESCRIPTION

FIG. 1 is a front perspective view of a lid adapter for wet/dry vacuum cleaner with detachable blower showing the new design.

FIG. 2 is a front view thereof.

FIG. 3 is a rear view thereof.

FIG. 4 is a right side view thereof.

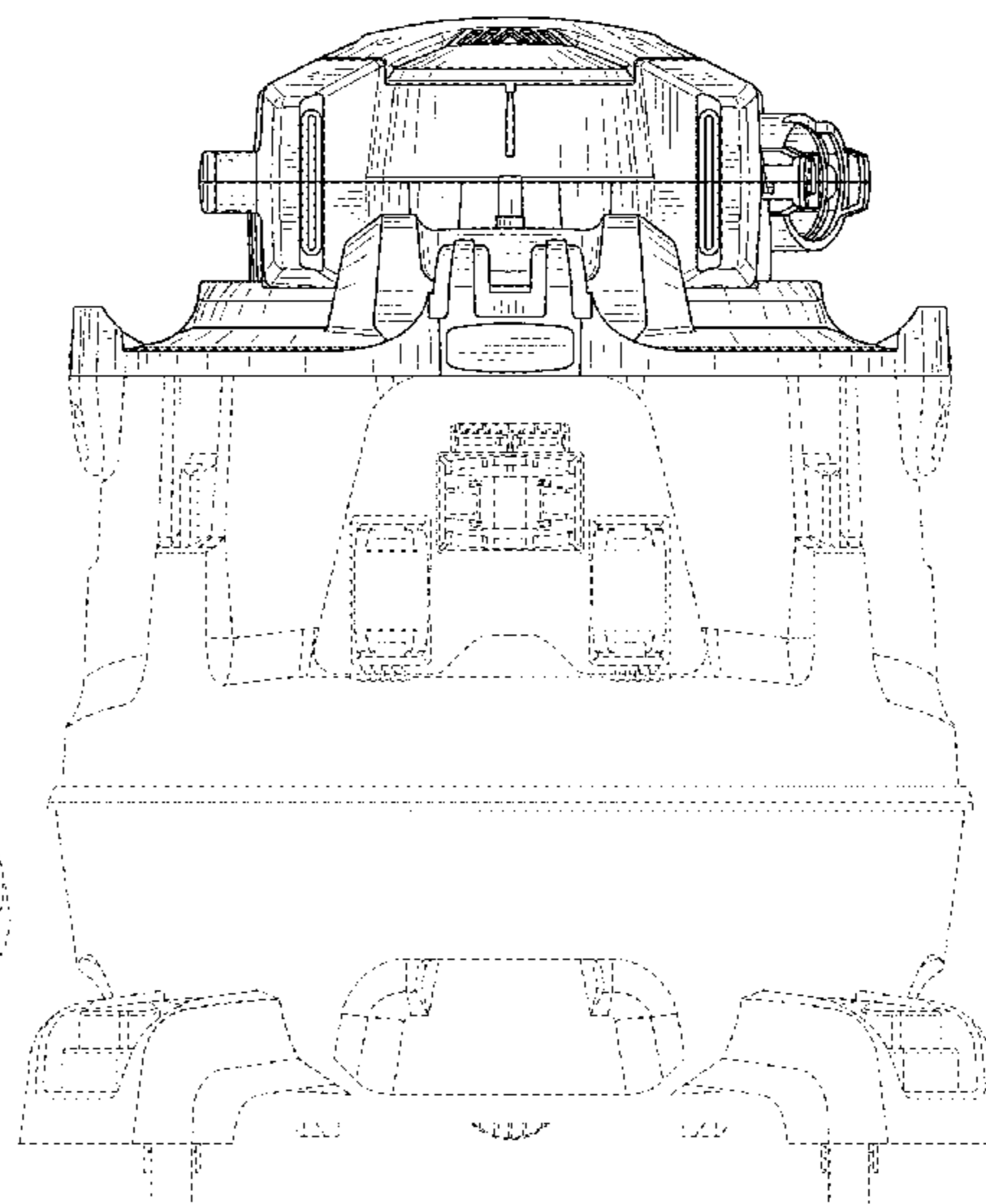
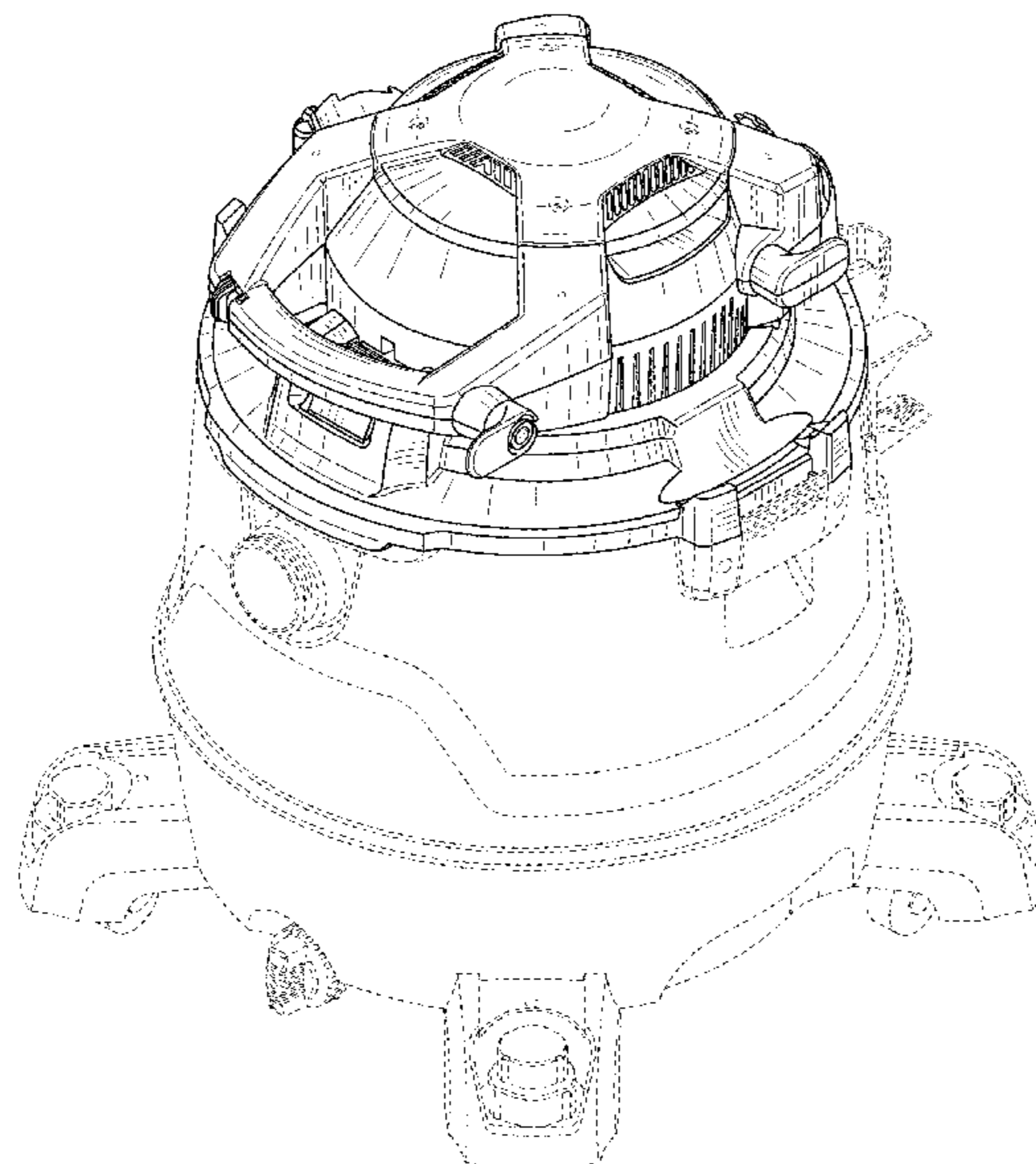
FIG. 5 is a left side view thereof.

FIG. 6 is a top view thereof; and,

FIG. 7 is a bottom view thereof.

The ornamental design which is claimed is shown in solid lines in the drawings. Broken lines, if present in the drawings, are for illustrative purposes only and form no part of the claimed design.

1 Claim, 7 Drawing Sheets



(56)

References Cited

U.S. PATENT DOCUMENTS

D528,256 S 9/2006 Beth et al.
 D528,718 S 9/2006 Tomasiak et al.
 D537,992 S 3/2007 Hoshino
 D541,818 S 5/2007 Rhea et al.
 D549,903 S 8/2007 Eccardt et al.
 D551,681 S 9/2007 Rhea et al.
 D558,410 S 12/2007 Hill et al.
 D565,269 S 3/2008 Tomasiak et al.
 D577,164 S 9/2008 Williams et al.
 D580,115 S 11/2008 Theising et al.
 D595,910 S 7/2009 Hollis et al.
 D596,359 S 7/2009 Hollis et al.
 D614,369 S 4/2010 Theising et al.
 D615,259 S 5/2010 Theising et al.
 D617,514 S 6/2010 Hollis et al.
 D618,870 S 6/2010 Williams et al.
 D634,494 S 3/2011 Theising et al.
 D638,181 S 5/2011 Crevling et al.

D647,260 S 10/2011 Hollis et al.
 D647,261 S 10/2011 Schultz et al.
 D651,101 S 12/2011 Ziganek et al.
 D657,101 S 4/2012 Williams et al.
 D666,369 S 8/2012 Williams et al.
 D669,646 S 10/2012 Theising et al.
 D670,046 S 10/2012 Theising et al.
 D670,048 S 10/2012 Theising et al.
 D672,929 S 12/2012 Gottschall et al.
 D675,389 S 1/2013 Seasholtz et al.
 D676,205 S 2/2013 Theising et al.
 D683,091 S 5/2013 Griffin et al.
 D740,504 S 10/2015 Williams et al.
 D743,655 S 11/2015 Holsten et al.
 D950,173 S * 4/2022 Eskridge D32/21

FOREIGN PATENT DOCUMENTS

CA ID89523 S 5/2000
 CA ID90731 S 10/2000

* cited by examiner

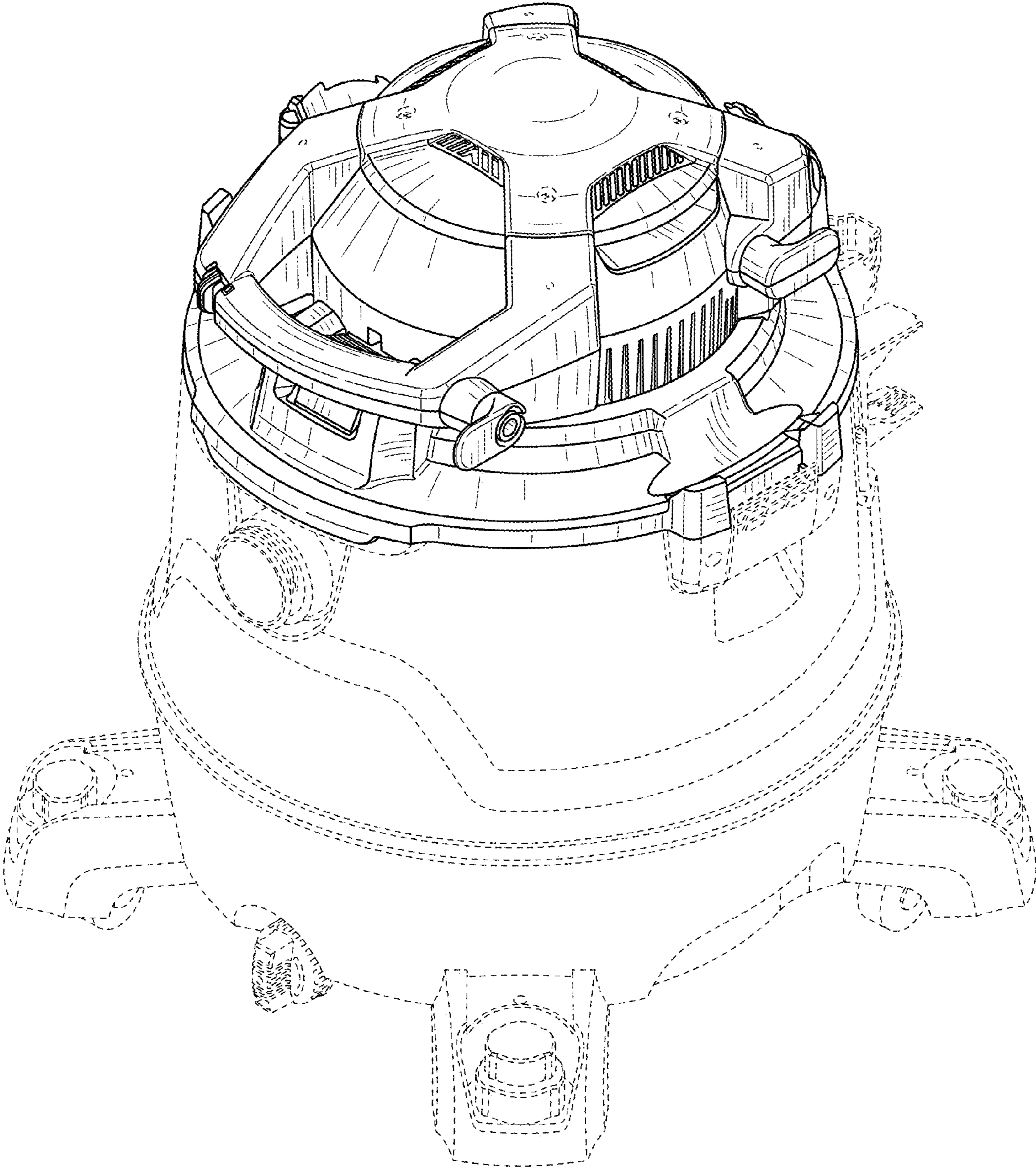


FIG. 1

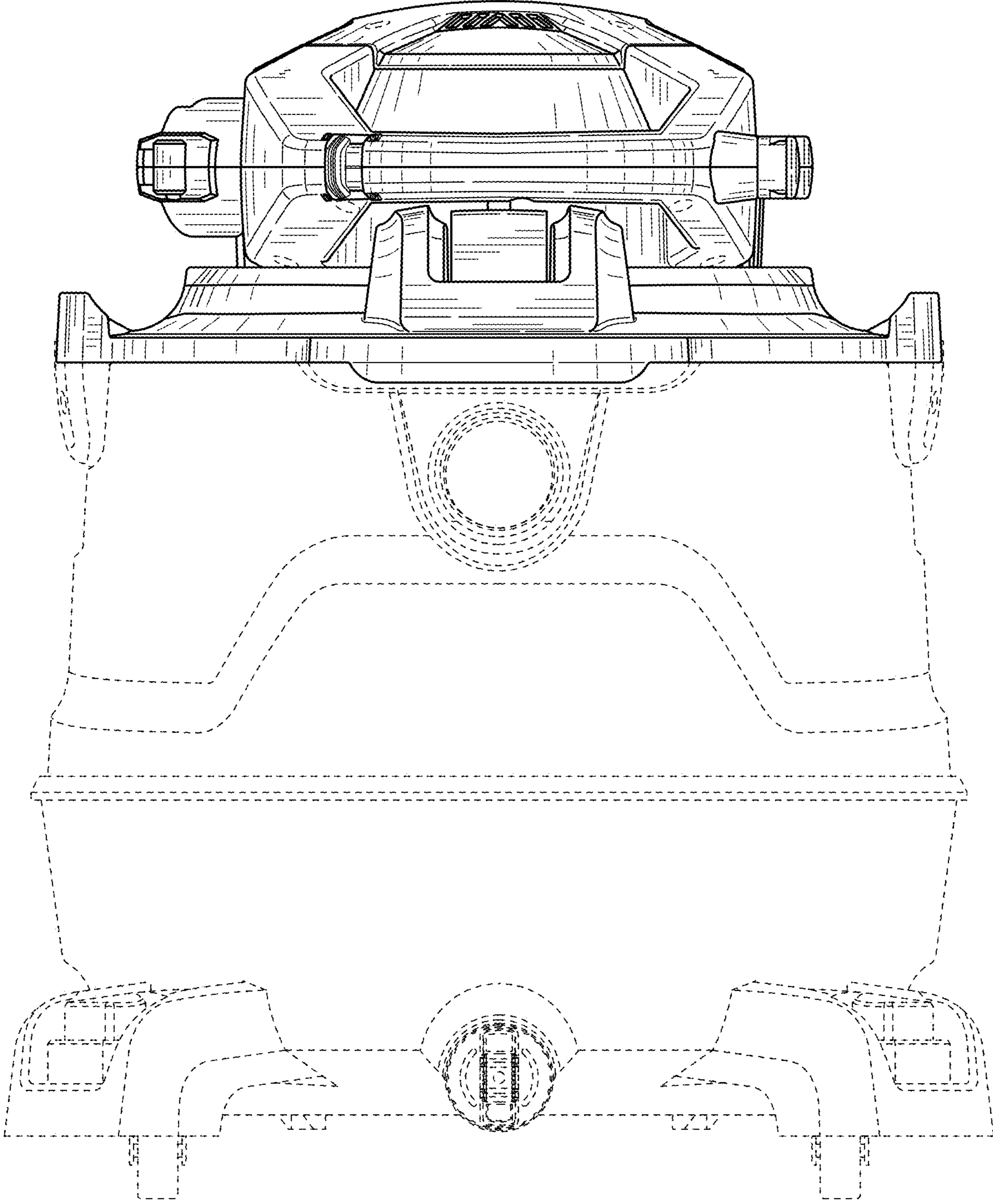


FIG. 2

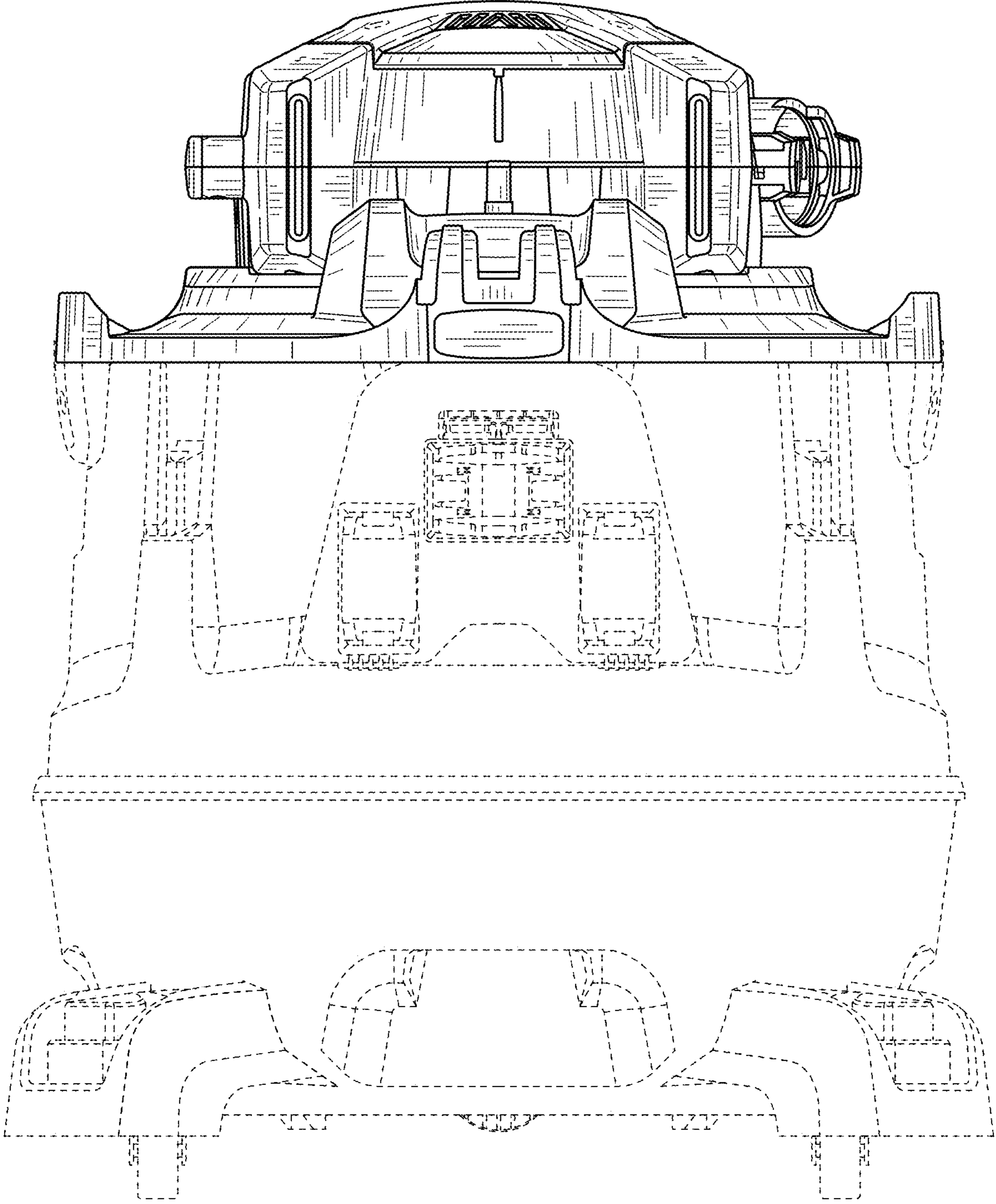


FIG. 3

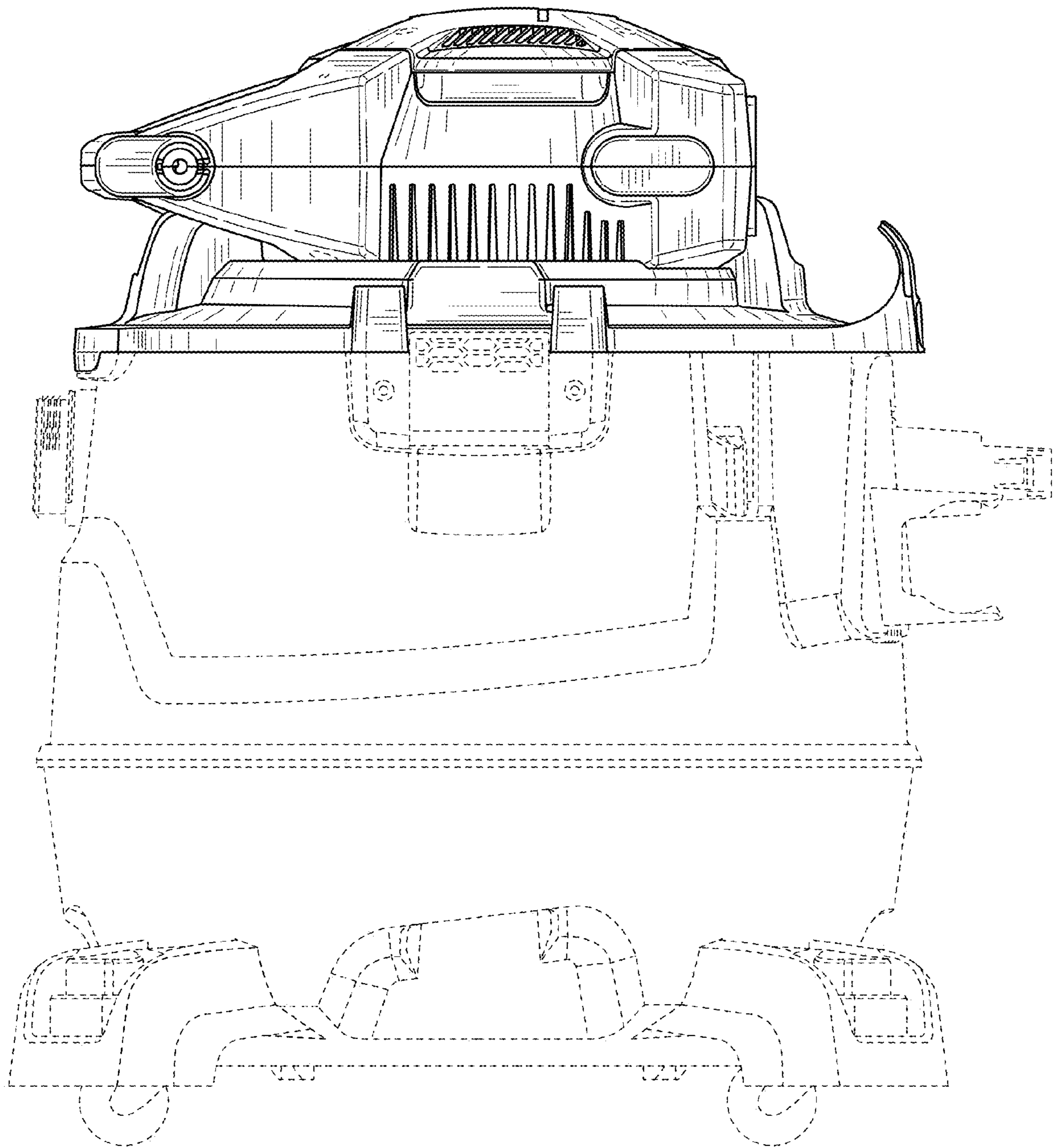


FIG. 4

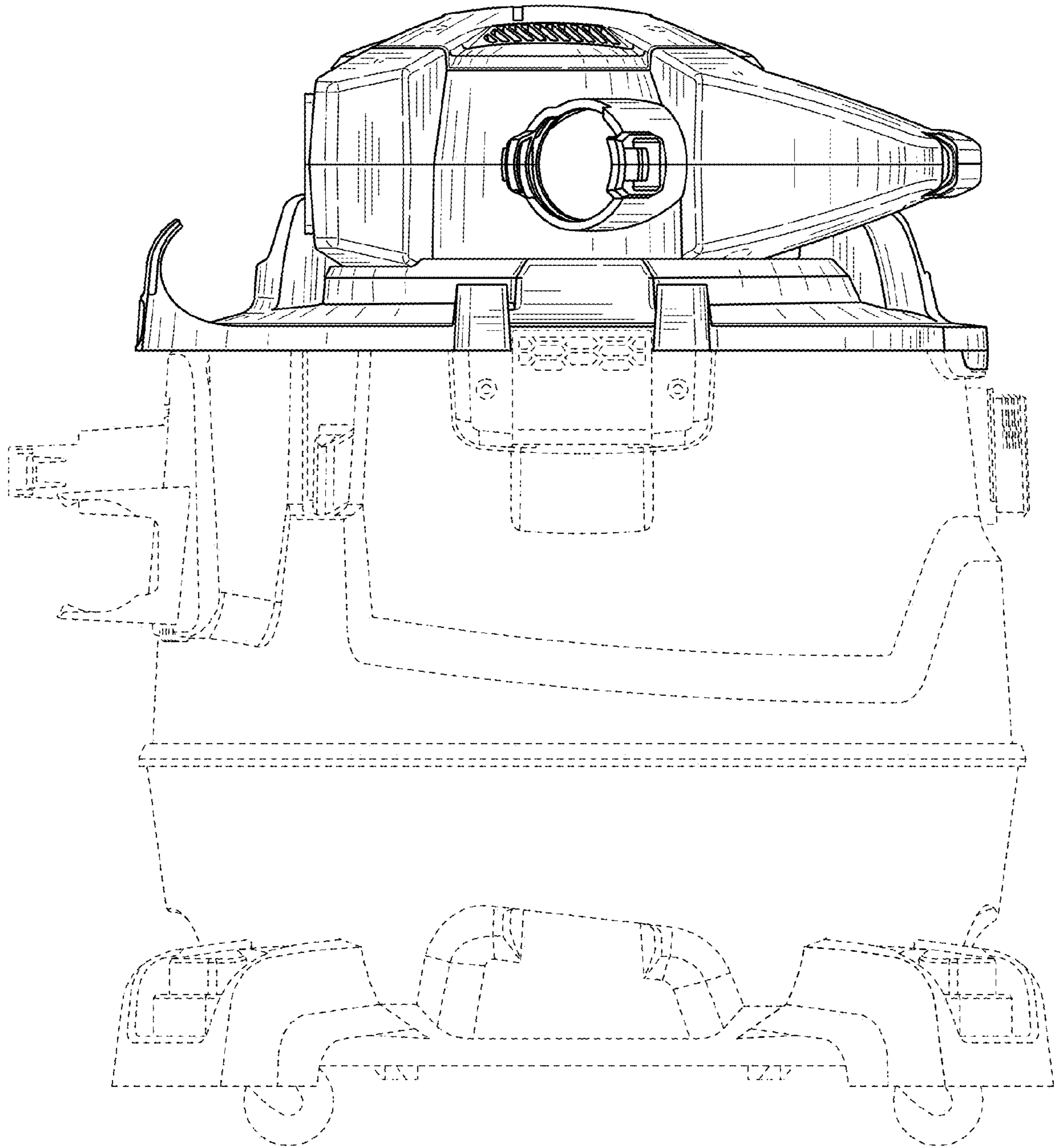


FIG. 5

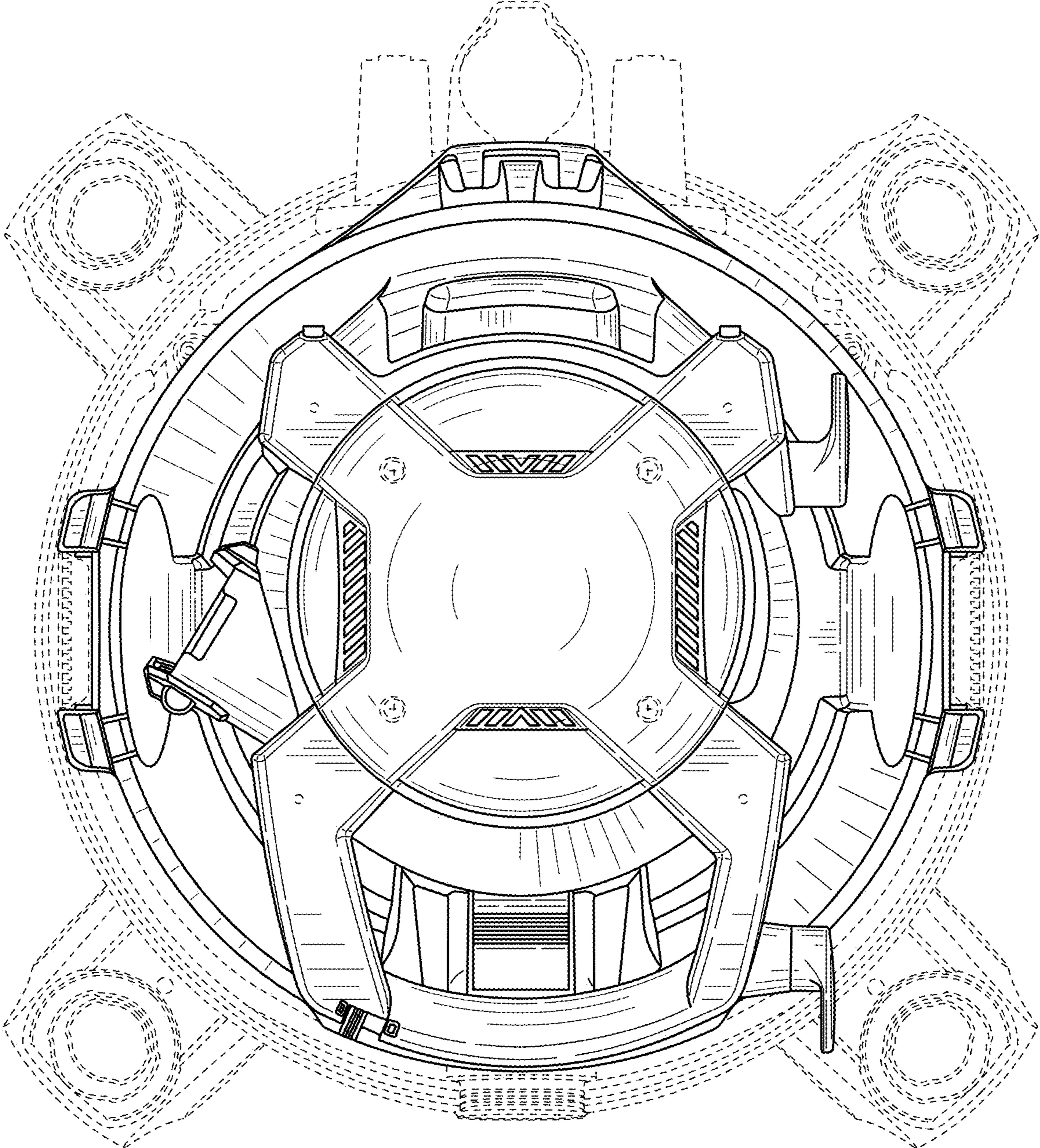


FIG. 6

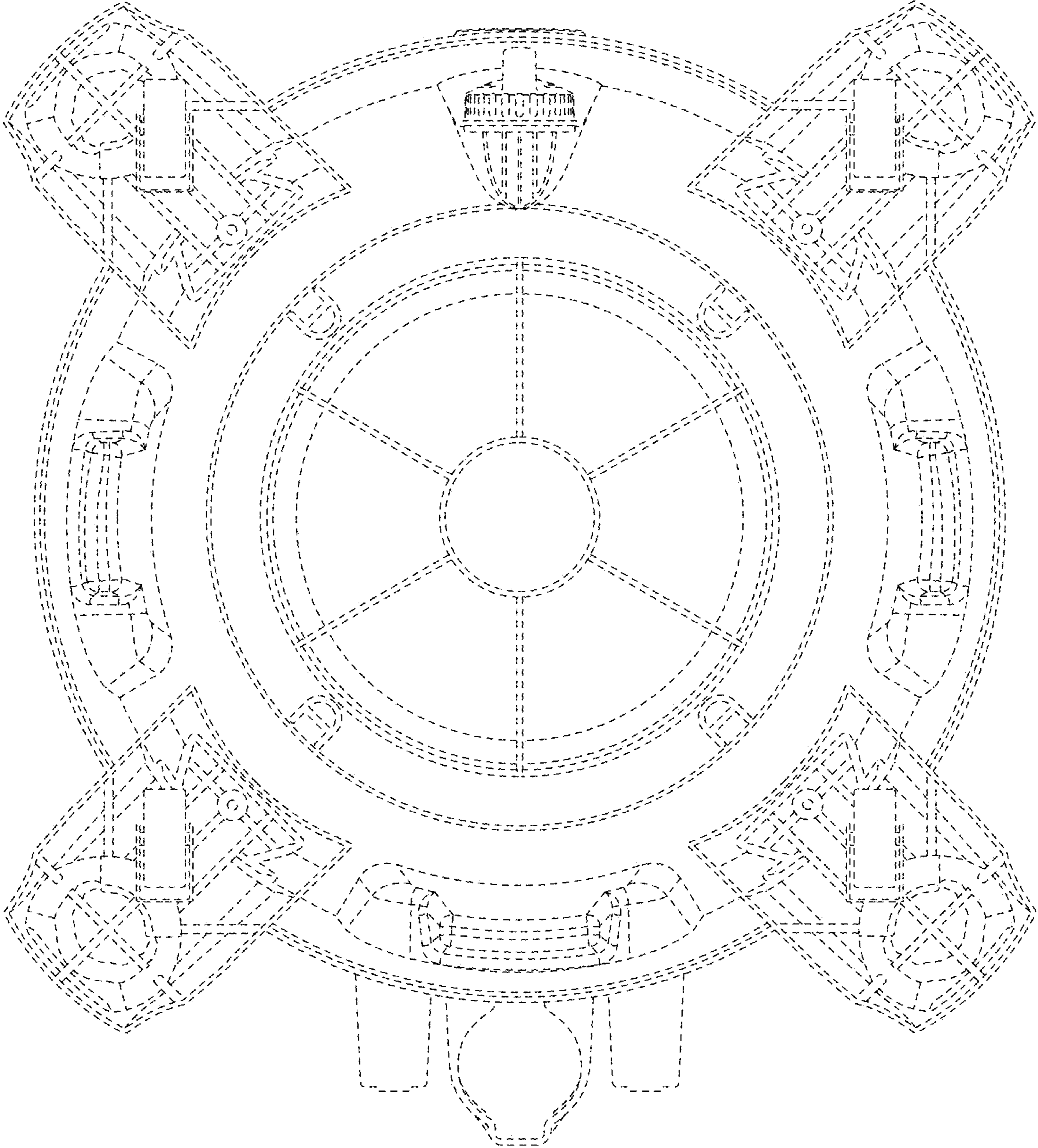


FIG. 7